



US00D642467S

(12) **United States Design Patent**  
**Knutson et al.**

(10) **Patent No.:** **US D642,467 S**

(45) **Date of Patent:** **\*\* Aug. 2, 2011**

- (54) **TEAR-OFF CAP FOR A VIAL**
- (75) Inventors: **Curtis Knutson**, Loves Park, IL (US);  
**John Zanolla**, Rockton, IL (US)
- (73) Assignee: **Anderson Packaging, Inc.**, Rockford, IL (US)
- (\*\*) Term: **14 Years**
- (21) Appl. No.: **29/366,038**
- (22) Filed: **Jul. 19, 2010**
- (51) **LOC (9) Cl.** ..... **09-07**
- (52) **U.S. Cl.** ..... **D9/452; D9/454; D9/443**
- (58) **Field of Classification Search** ..... D9/780,  
D9/772, 529, 504, 503, 454, 452, 445, 444,  
D9/443, 440, 435, 429, 428, 427; D7/392.1,  
D7/391, 354; D28/7; D24/222, 115; D23/366;  
428/34.1; 229/123.1; 220/270, 266; 215/316,  
215/253, 250  
See application file for complete search history.

- 7,222,741 B2 5/2007 Chmela et al.
- D600,120 S \* 9/2009 Kawamura ..... D9/452
- D616,745 S \* 6/2010 Stull et al. .... D9/452
- D616,746 S \* 6/2010 Stull et al. .... D9/452
- D616,747 S \* 6/2010 Stull et al. .... D9/452
- D617,191 S \* 6/2010 Stull et al. .... D9/452
- D618,099 S \* 6/2010 Biesecker et al. .... D9/452

\* cited by examiner

*Primary Examiner* — Susan Bennett Hattan  
(74) *Attorney, Agent, or Firm* — Howson & Howson LLP

(57) **CLAIM**  
The ornamental design for a tear-off cap for a vial, as shown.

**DESCRIPTION**

FIG. 1 is a perspective view of a tear-off cap for a vial according to our new design secured to a mouth of a vial, the phantom showing of a portion of the vial forming no part of the claimed design;

FIG. 2 is a front elevational view of the tear-off cap for a vial of FIG. 1, the rear elevational view being identical to the front elevational view;

FIG. 3 is a right side elevational view of the tear-off cap for a vial of FIG. 1, the left side elevational view being identical to the right side elevational view;

FIG. 4 is a top plan view of the tear-off cap for a vial of FIG. 1; and,

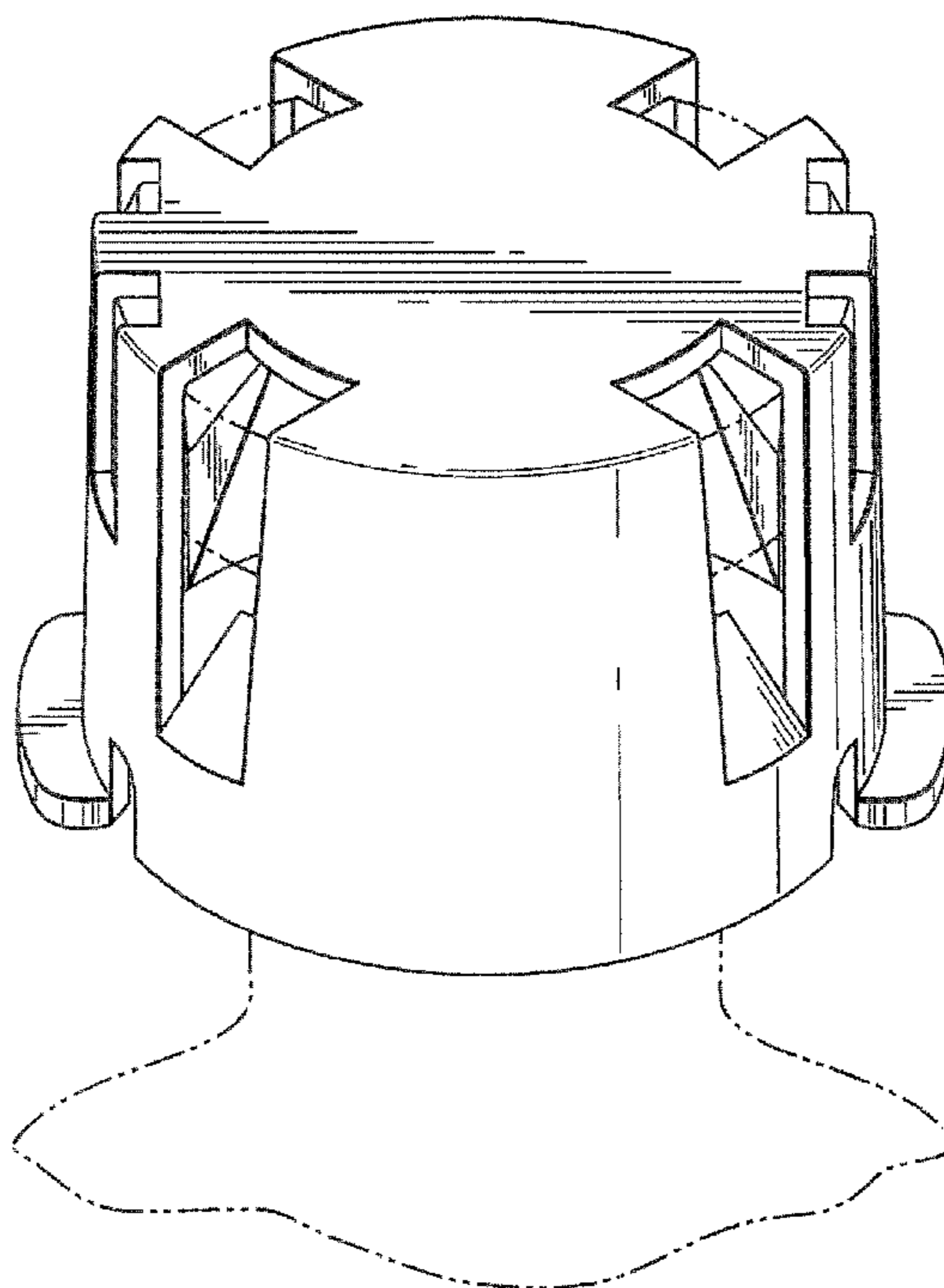
FIG. 5 is a bottom plan view of the tear-off cap for vial of FIG. 1.

(56) **References Cited**

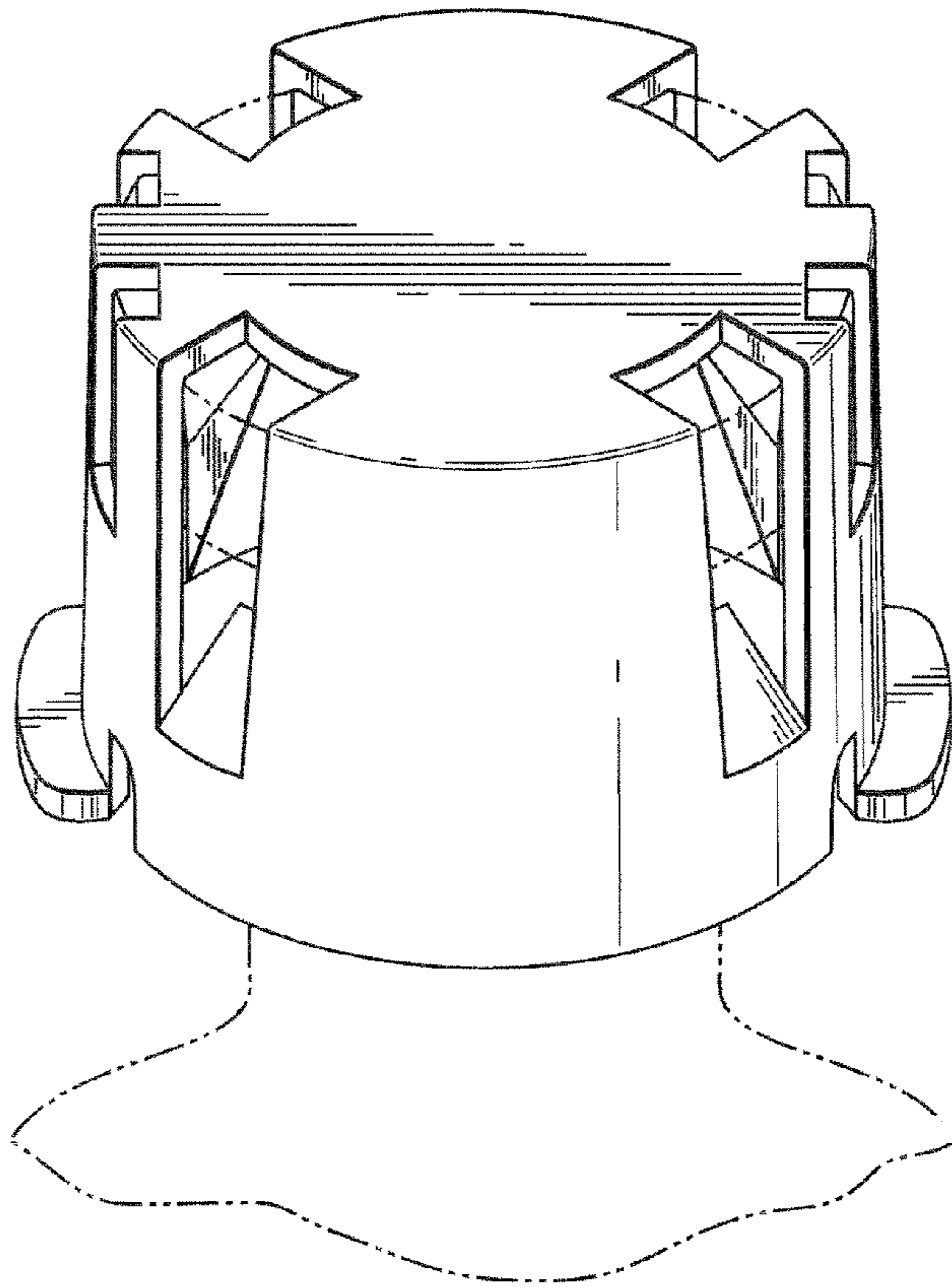
U.S. PATENT DOCUMENTS

- 2,218,308 A \* 10/1940 Comer ..... 222/487
- 4,607,759 A 8/1986 Boetzkes
- 4,779,750 A 10/1988 Armstrong
- D311,868 S \* 11/1990 Armstrong ..... D9/453
- 4,984,699 A 1/1991 Zalut
- 6,070,748 A 6/2000 Storar

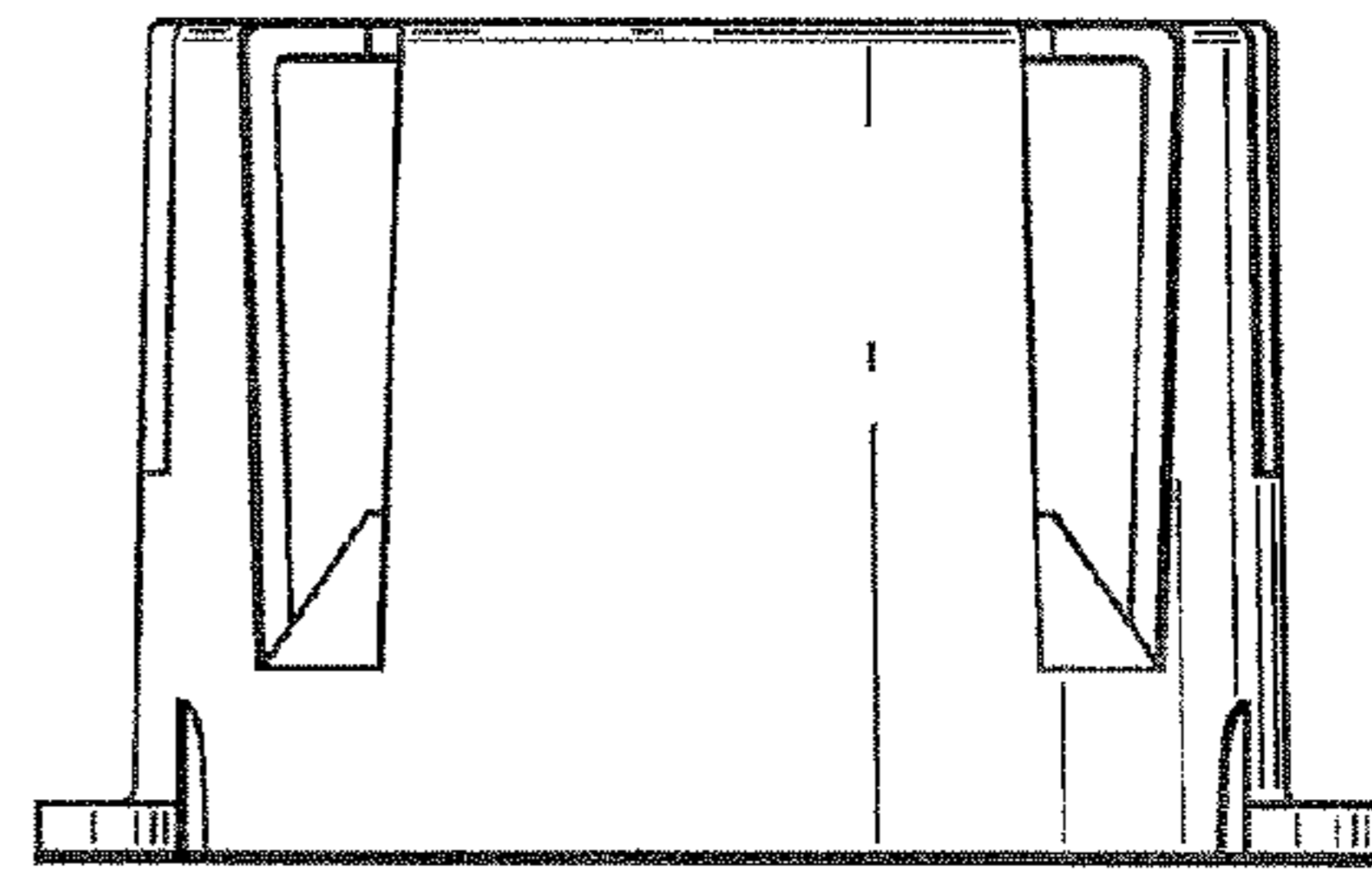
**1 Claim, 1 Drawing Sheet**



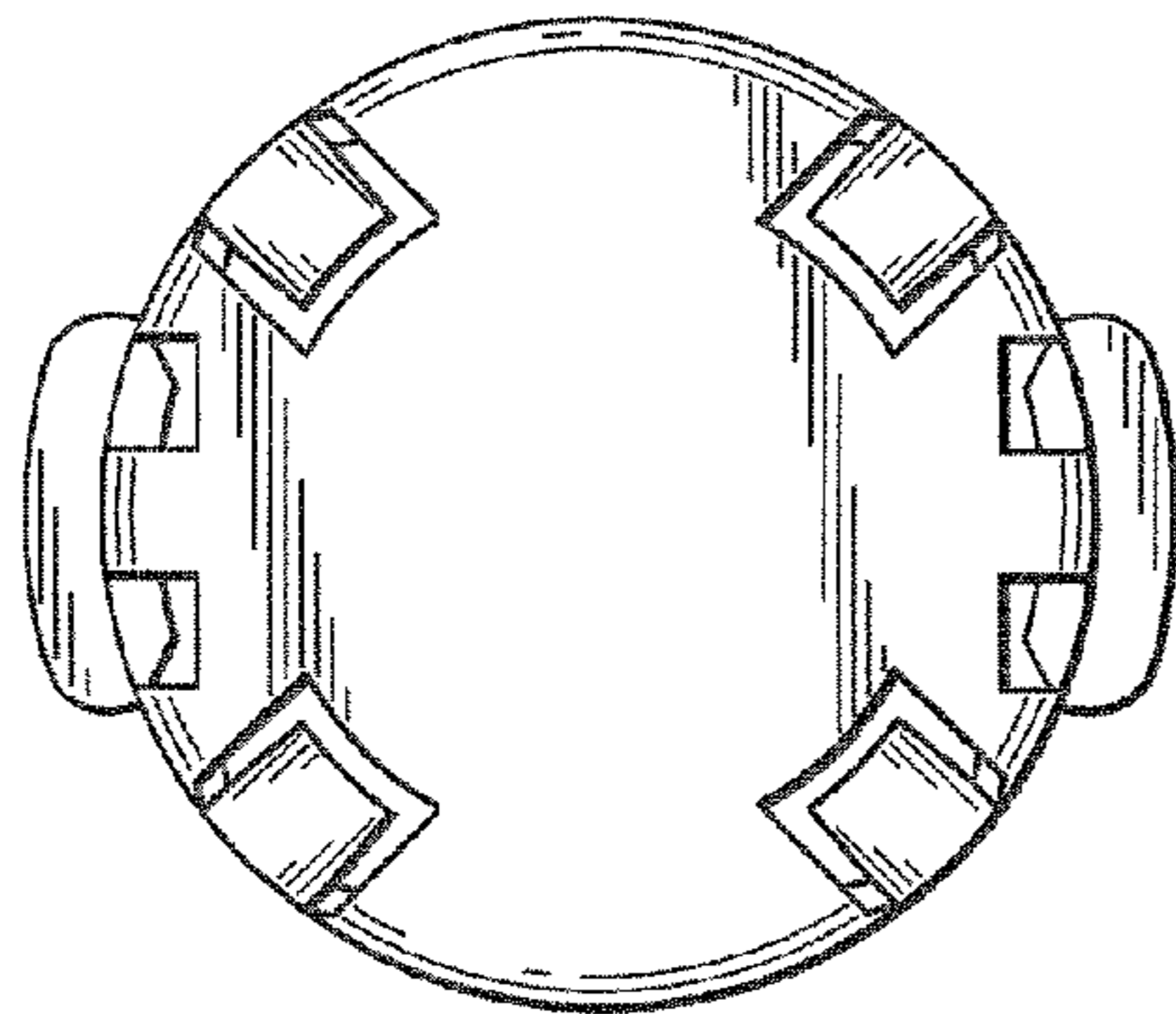
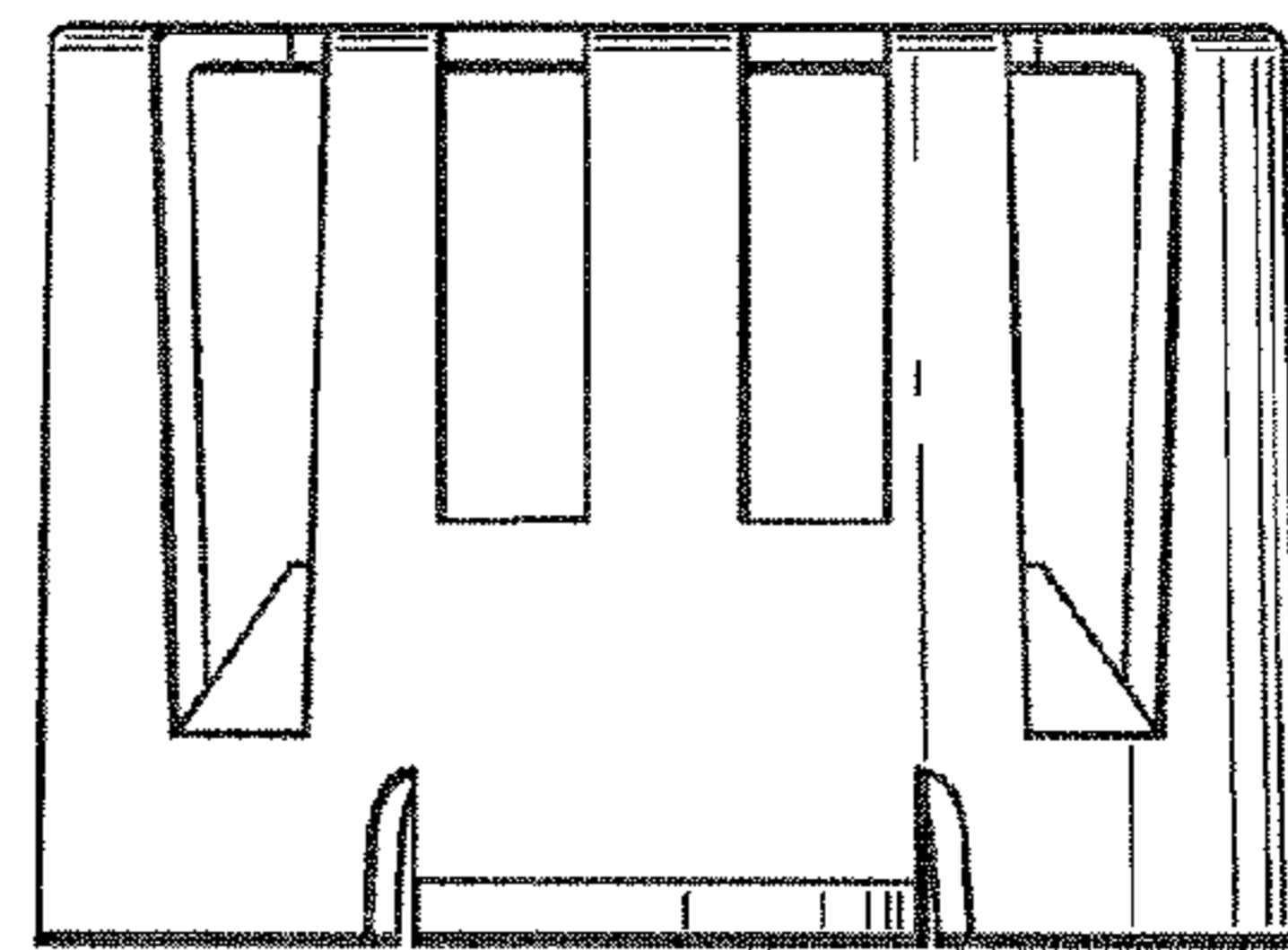
**FIG.1**



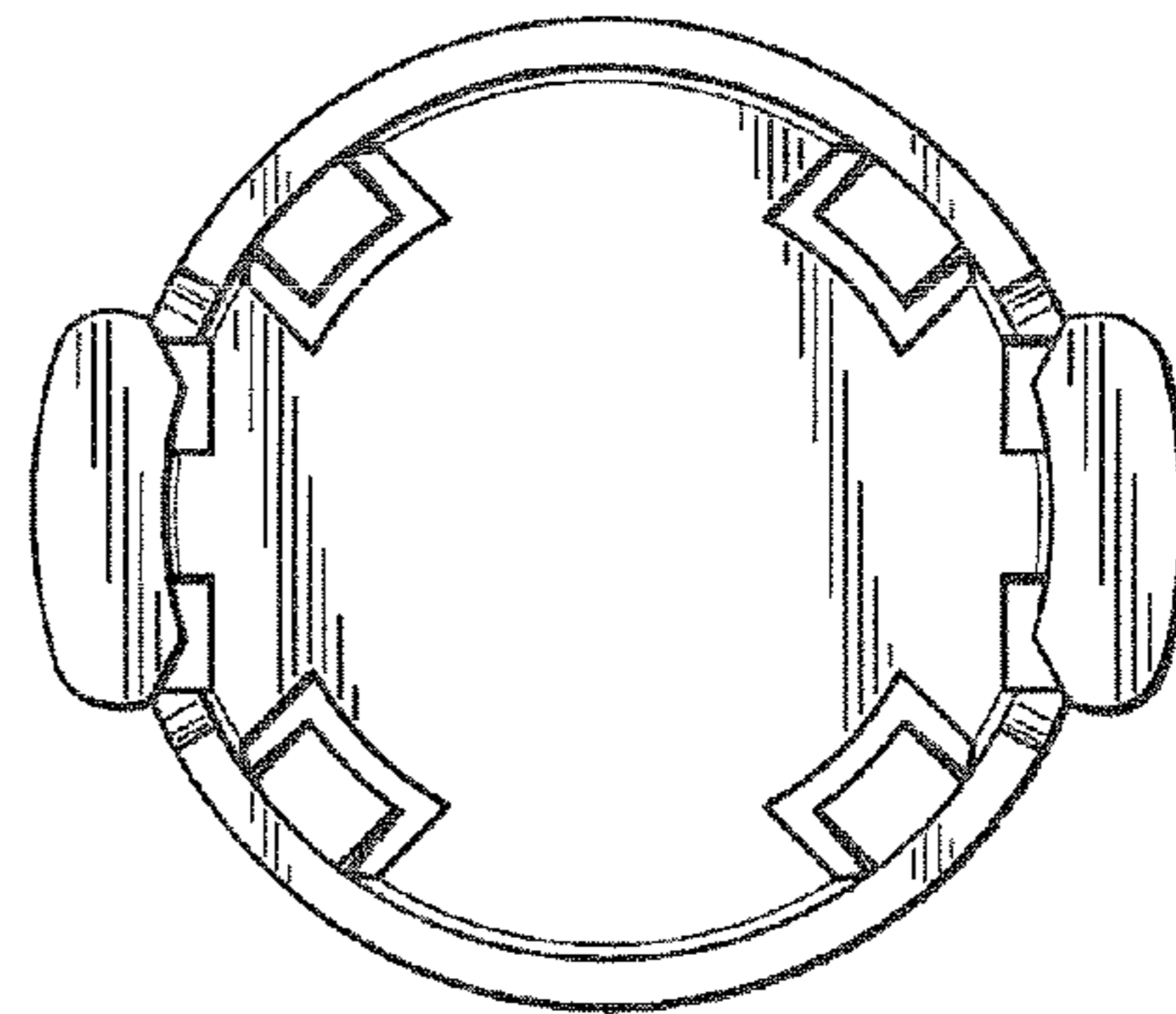
**FIG.2**



**FIG.3**



**FIG.4**



**FIG.5**