



US00D642465S

(12) **United States Design Patent**
Flank

(10) **Patent No.:** **US D642,465 S**

(45) **Date of Patent:** **** Aug. 2, 2011**

(54) **CAP FOR A CONTAINER**

(75) Inventor: **Peder Flank**, Bjärred (SE)

(73) Assignee: **Gambro Lundia AB** (SE)

(**) Term: **14 Years**

(21) Appl. No.: **29/339,758**

(22) Filed: **Jul. 7, 2009**

(51) **LOC (9) Cl.** **09-01**

(52) **U.S. Cl.** **D9/449; D9/443**

(58) **Field of Classification Search** D9/434,
D9/435, 438, 454, 516, 520, 521, 529, 530,
D9/541, 542, 559, 566, 571, 574, 666, 667,
D9/436, 449, 575, 702, 707, 708, 709, 710,
D9/443; 215/381-385, 200, 316, 317, 318,
215/354, 479, 379; 220/200, 360, 600, 604,
220/608, 610, 612, 613, 623, 669, 675, 677,
220/678

See application file for complete search history.

(56) **References Cited**

U.S. PATENT DOCUMENTS

3,215,299	A	11/1965	Coanda et al.	
4,290,466	A *	9/1981	Villa et al.	220/288
4,753,639	A	6/1988	Iwatschenko	
4,869,384	A	9/1989	Ogle, II	
5,031,784	A *	7/1991	Wright	215/216
D318,795	S *	8/1991	Christine	D9/696
5,088,612	A	2/1992	Storar et al.	
5,147,054	A *	9/1992	Pehr	215/253
5,332,113	A	7/1994	Kusler, III et al.	
5,582,314	A *	12/1996	Quinn et al.	220/326
D393,999	S *	5/1998	Gruenbacher et al.	D9/697
D396,630	S *	8/1998	Lerner	D9/709
D436,030	S *	1/2001	Tedeschi et al.	D9/703
D474,682	S *	5/2003	Berman	D9/708
D490,708	S *	6/2004	Lown	D9/438
D505,066	S *	5/2005	Ootubo	D9/709
D505,081	S *	5/2005	Risgalla	D9/707
D523,758	S *	6/2006	Risgalla	D9/707
D533,781	S *	12/2006	Freisem et al.	D9/453
D536,974	S *	2/2007	Smith et al.	D9/449

D547,652	S *	7/2007	Kerman et al.	D9/438
D552,484	S *	10/2007	Berman	D9/708
D554,503	S *	11/2007	Kerman et al.	D9/438
D576,877	S *	9/2008	Alcamo et al.	D9/449
D581,808	S *	12/2008	Schwartz	D9/708
D583,255	S *	12/2008	Castor	D9/708
D584,613	S *	1/2009	Yan et al.	D9/438

(Continued)

FOREIGN PATENT DOCUMENTS

DE 8436599 3/1985

(Continued)

Primary Examiner — Stella Reid

Assistant Examiner — Elizabeth J Oswecki

(74) *Attorney, Agent, or Firm* — Finnegan, Henderson, Farabow, Garrett & Dunner, LLP

(57) **CLAIM**

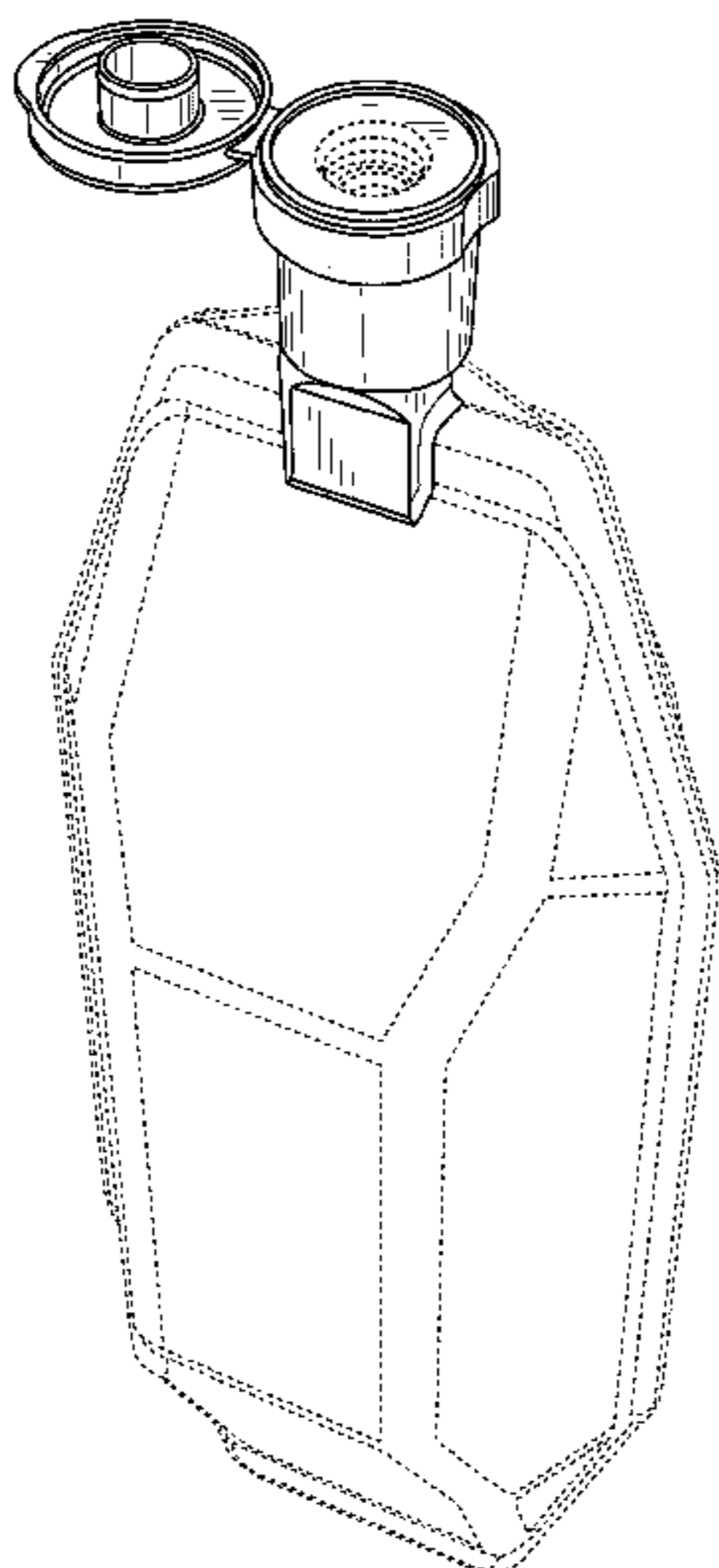
The ornamental design for a cap for a container, as shown and described.

DESCRIPTION

FIG. 1 is a front, perspective view of a cap for a container showing my new design;
 FIG. 2 is a top plan view thereof;
 FIG. 3 is a back view thereof;
 FIG. 4 is a left-side view thereof;
 FIG. 5 is a front view thereof;
 FIG. 6 is a right-side view thereof;
 FIG. 7 is a bottom view thereof;
 FIG. 8 is a front perspective view of a cap for a container of my new design;
 FIG. 9 is a top plan view thereof;
 FIG. 10 is a back view thereof;
 FIG. 11 is a right-side view thereof;
 FIG. 12 is a front view thereof; and,
 FIG. 13 is a left-side view thereof.

The broken lines in the drawings represent environmental structure and form no part of the claimed design.

1 Claim, 5 Drawing Sheets



US D642,465 S

Page 2

U.S. PATENT DOCUMENTS

D585,277 S * 1/2009 Beauplan D9/449
D585,278 S * 1/2009 Wilson et al. D9/449
D585,740 S * 2/2009 Wilson et al. D9/449
D585,741 S * 2/2009 Wilson et al. D9/449
D585,742 S * 2/2009 Wilson et al. D9/449
D587,133 S * 2/2009 Berman D9/708
D588,470 S * 3/2009 Berman D9/709
D588,915 S * 3/2009 Lohrman et al. D9/449
D589,819 S * 4/2009 Nomura et al. D9/708
D591,615 S * 5/2009 Nomura et al. D9/708
D598,752 S * 8/2009 Wilson et al. D9/449
D599,676 S * 9/2009 Friebe et al. D9/707

D604,636 S * 11/2009 McMorris D9/708
D606,399 S * 12/2009 Scuturio D9/449
D607,726 S * 1/2010 Wisniewski D9/449
D609,112 S * 2/2010 Koyanagi D9/708
D613,599 S * 4/2010 Khubani D9/446
D623,060 S * 9/2010 Hassamanci D9/449
2002/0104843 A1 * 8/2002 Smith et al. 220/270

FOREIGN PATENT DOCUMENTS

DE 8703760 8/1988
EP 1384466 1/2004

* cited by examiner

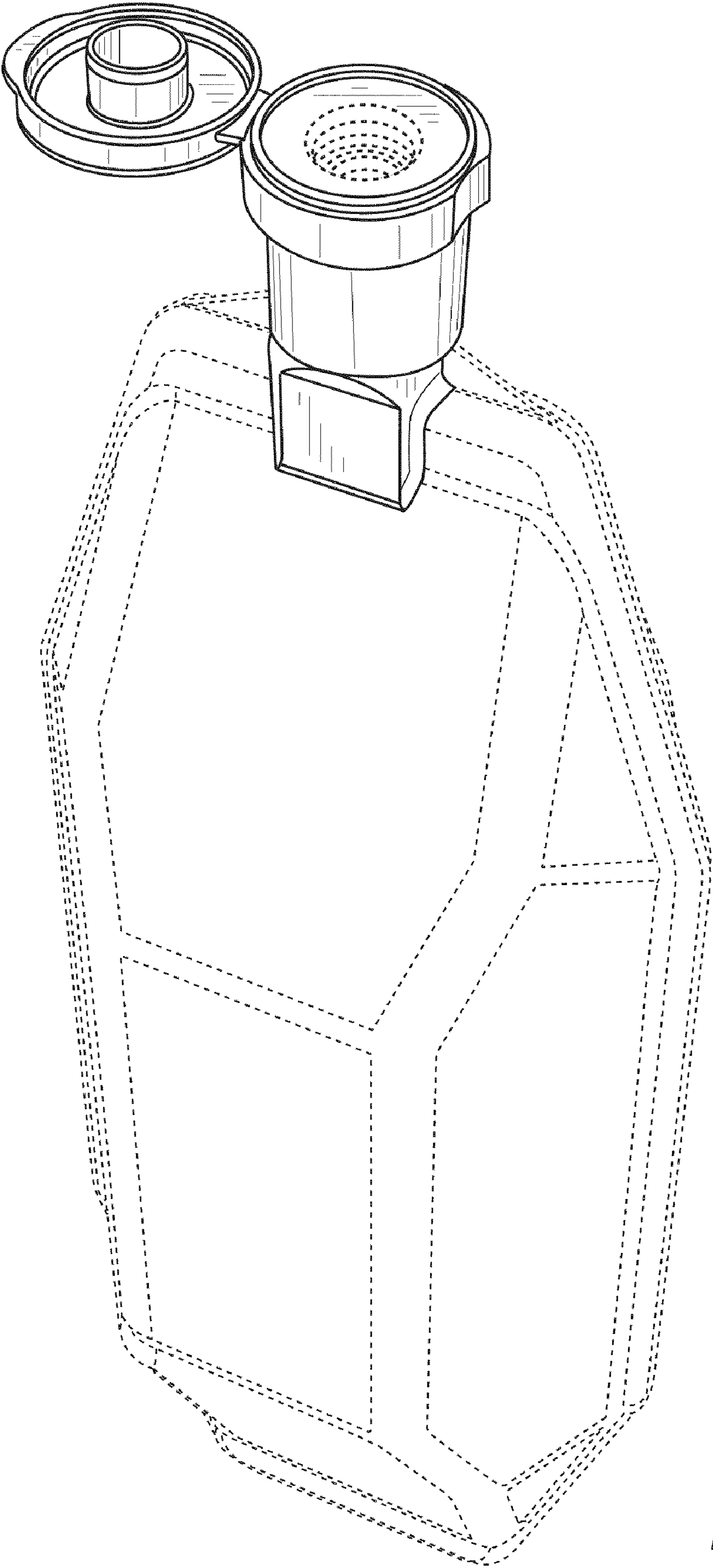


FIG. 1

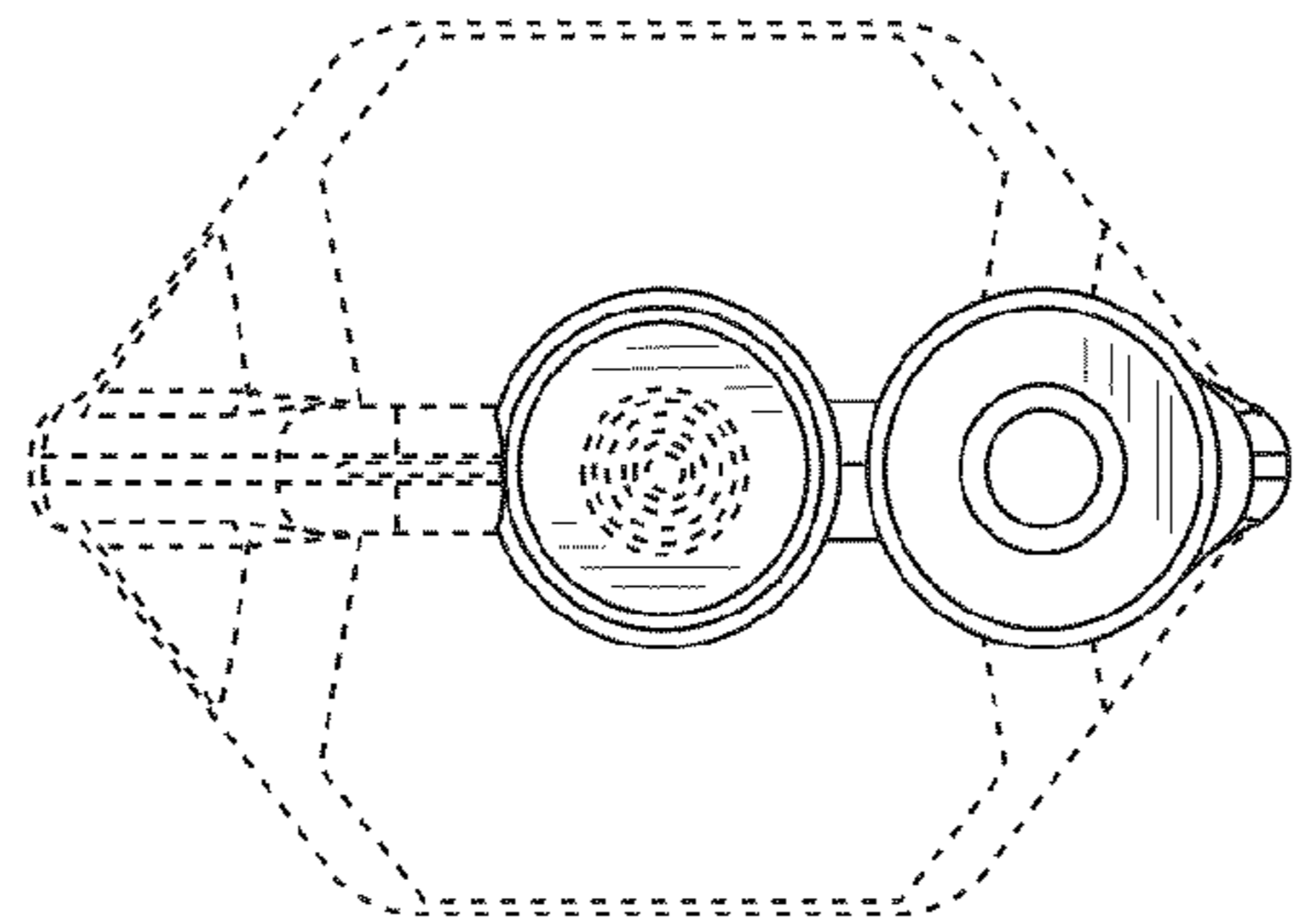


FIG. 2

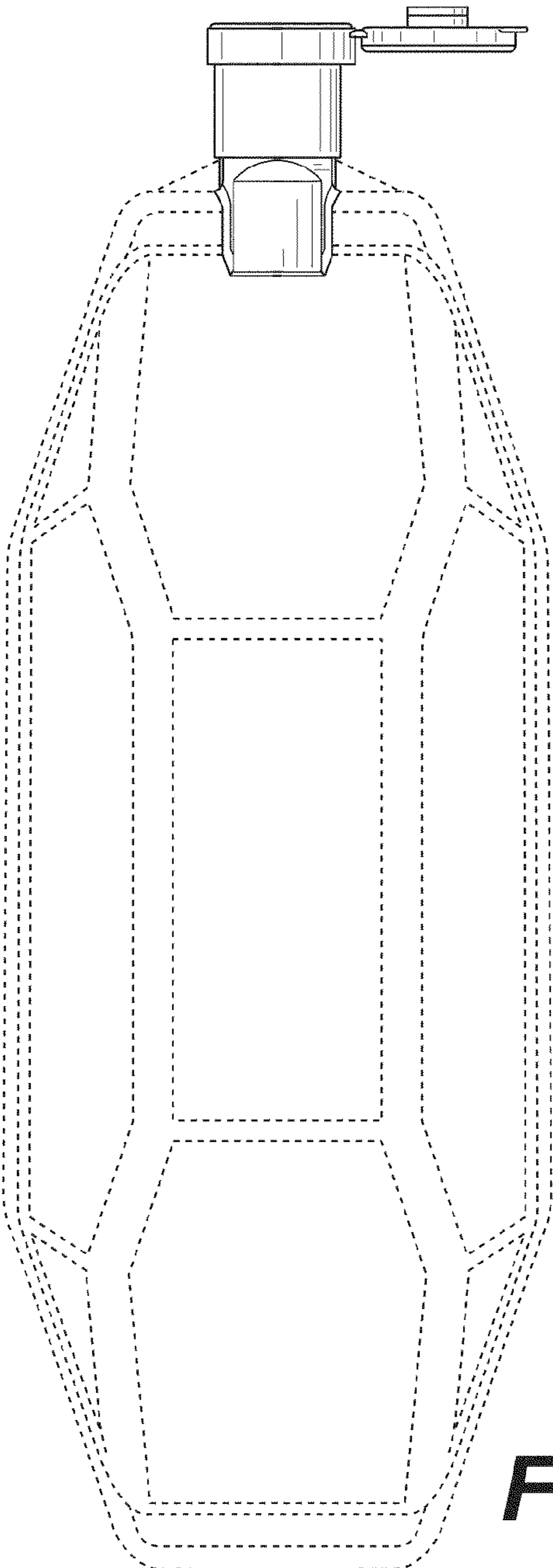


FIG. 3

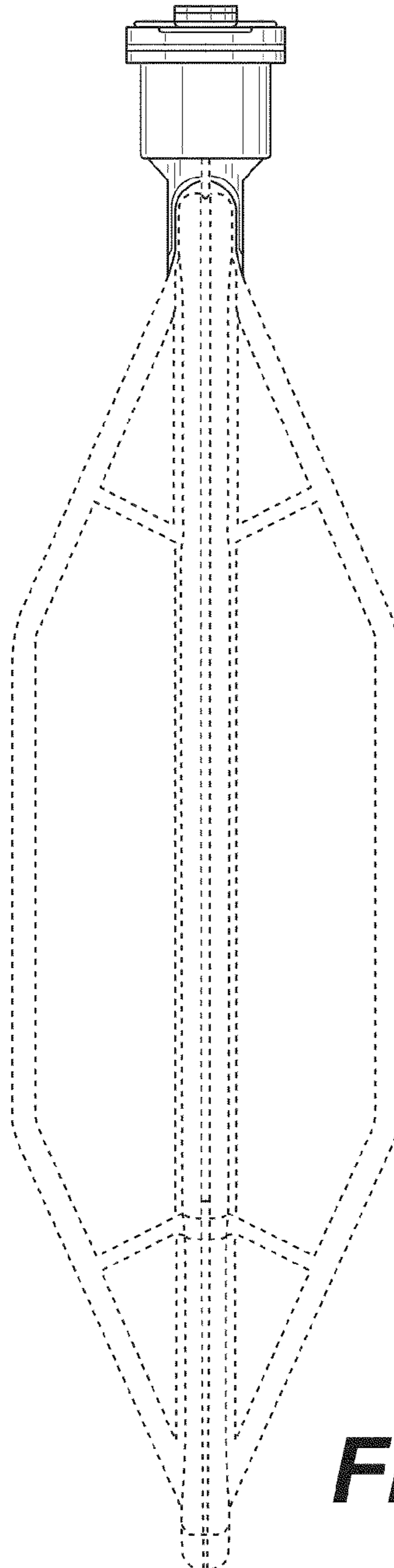


FIG. 4

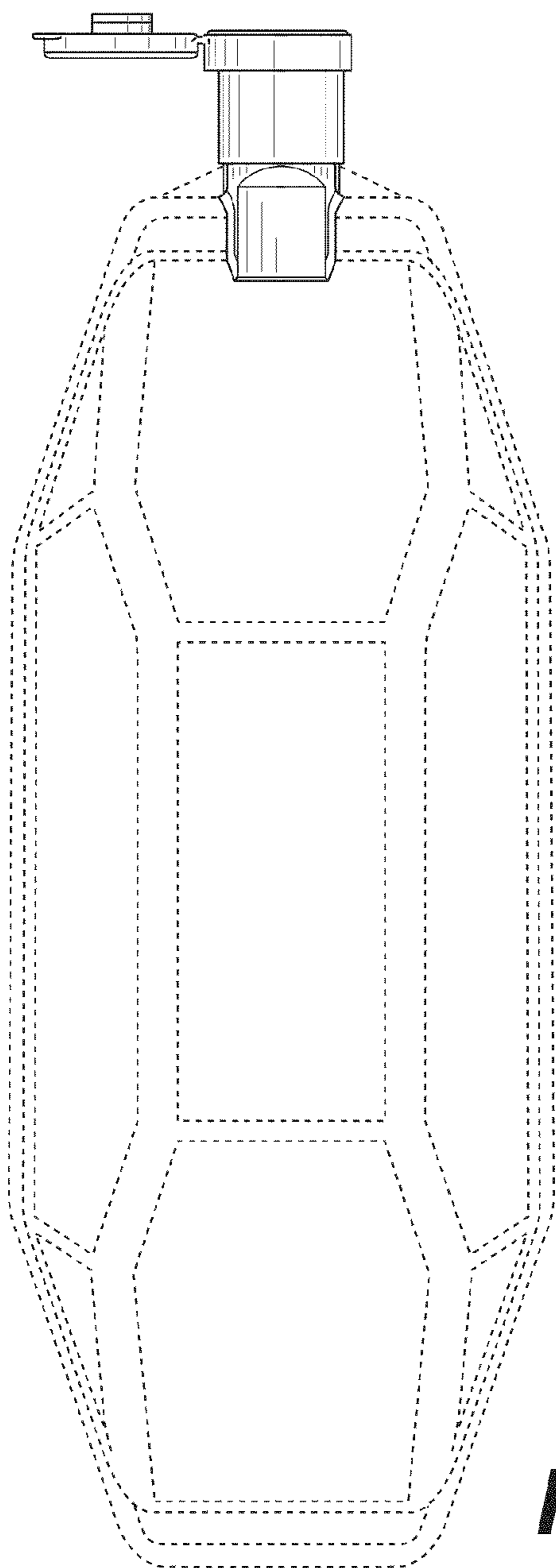


FIG. 5

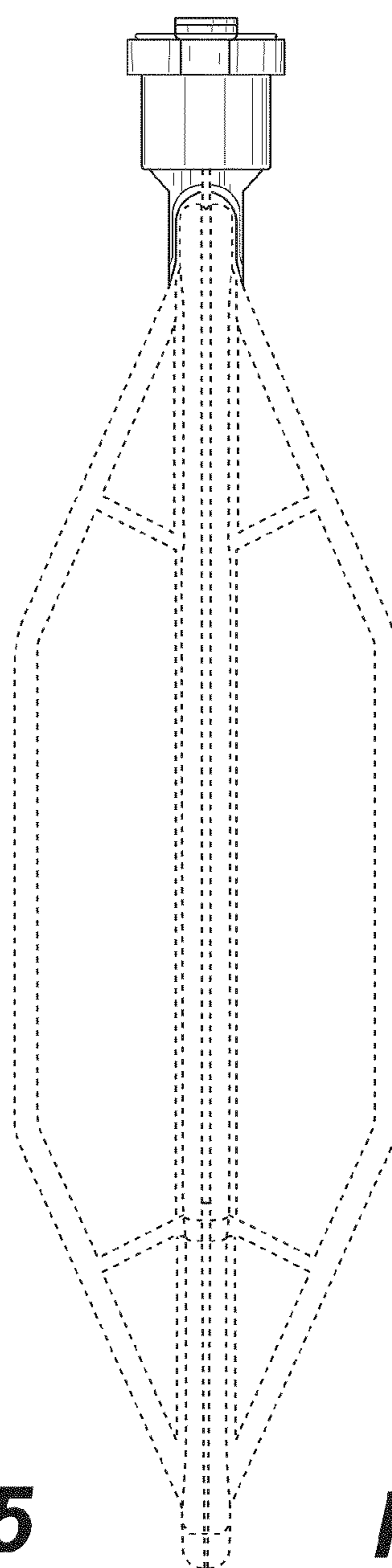


FIG. 6

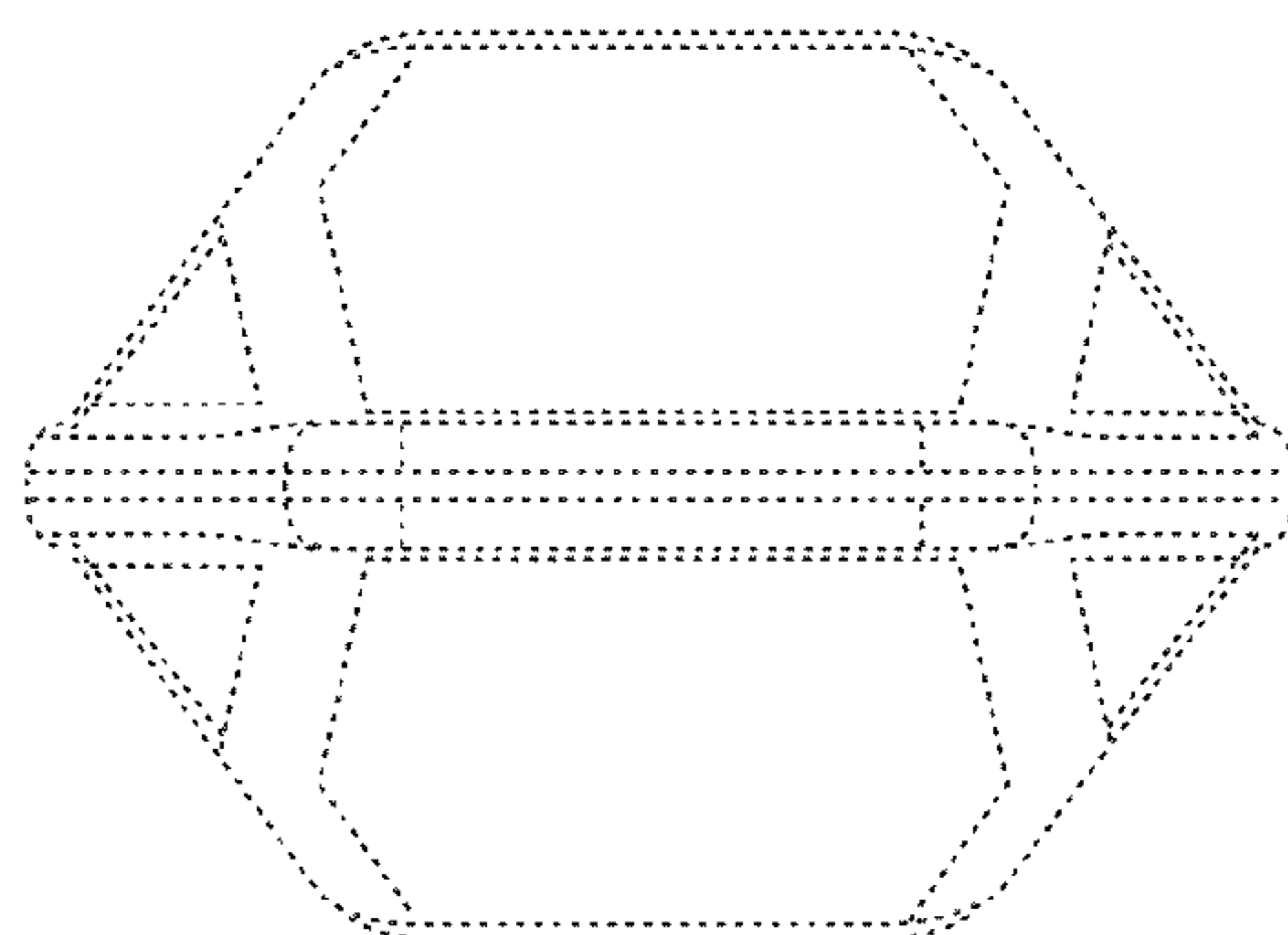


FIG. 7

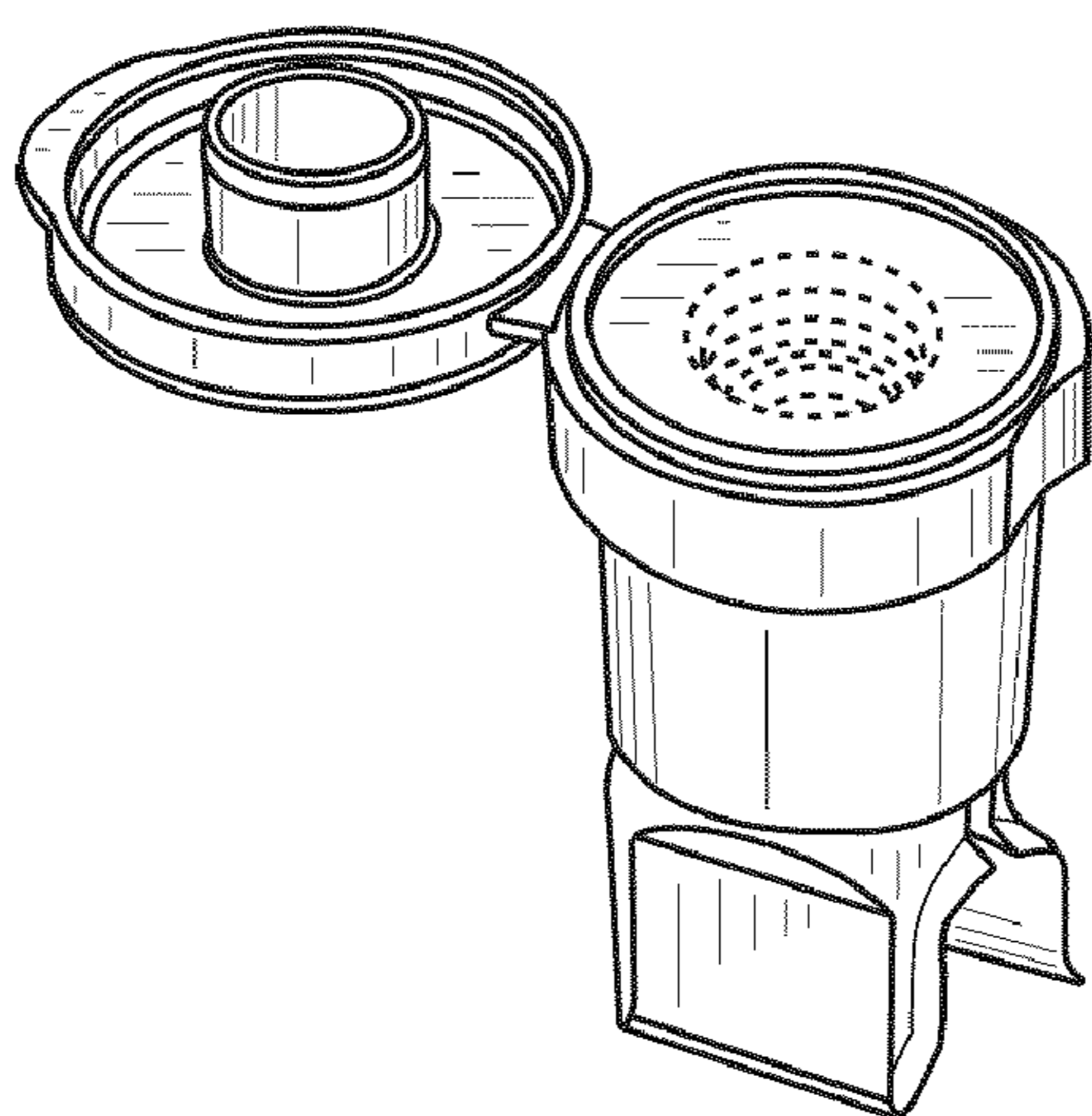


FIG. 8

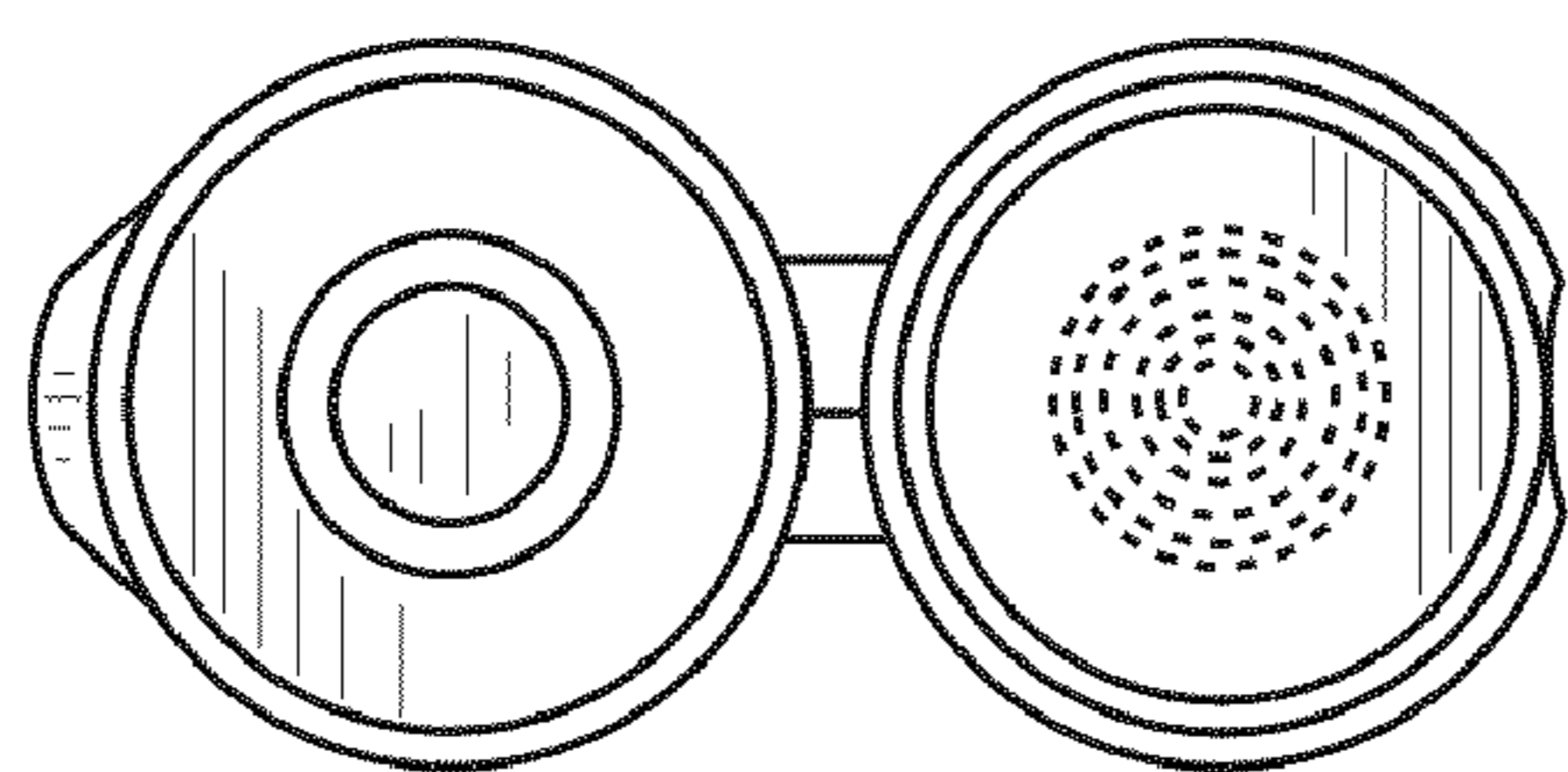


FIG. 9

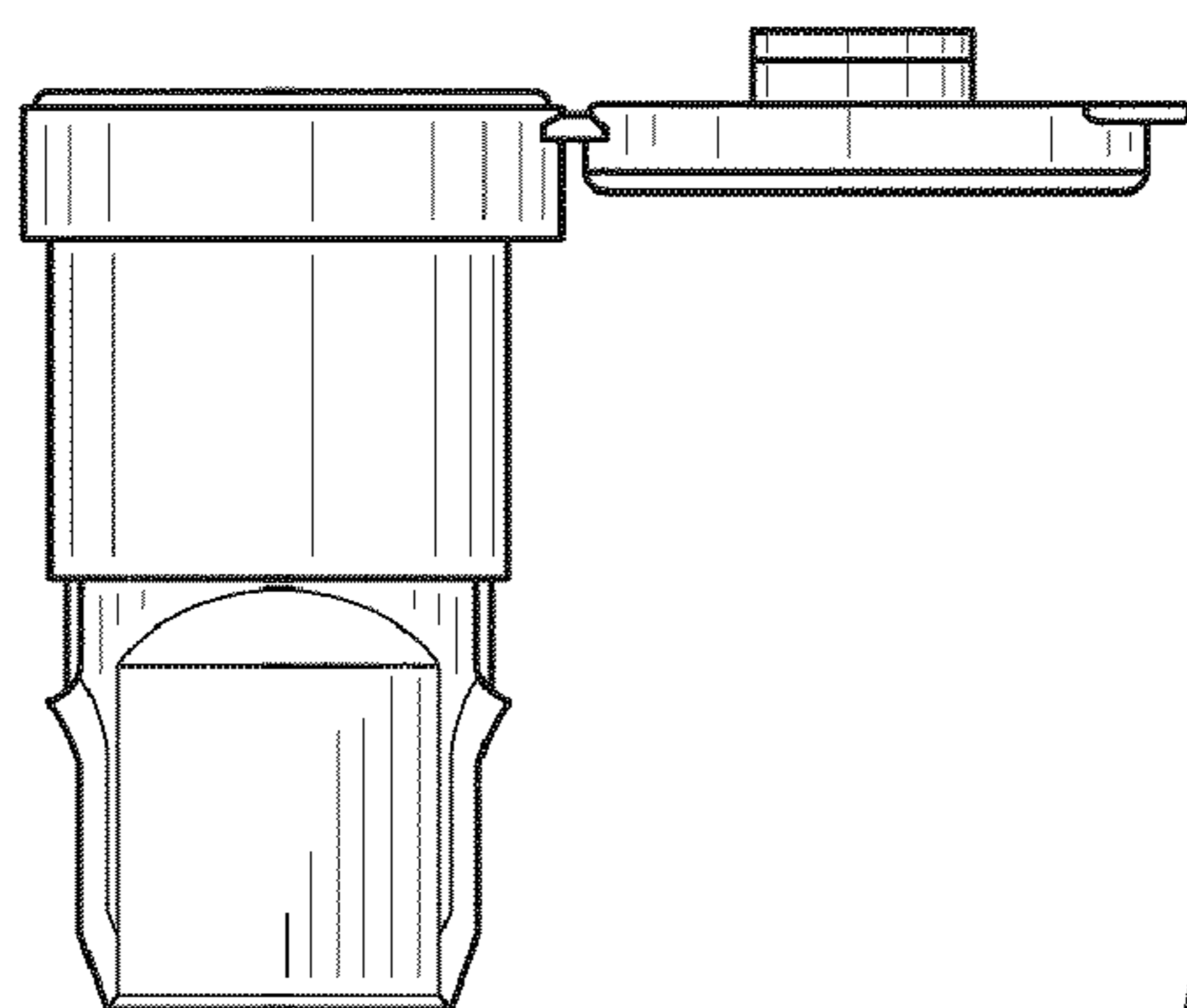


FIG. 10

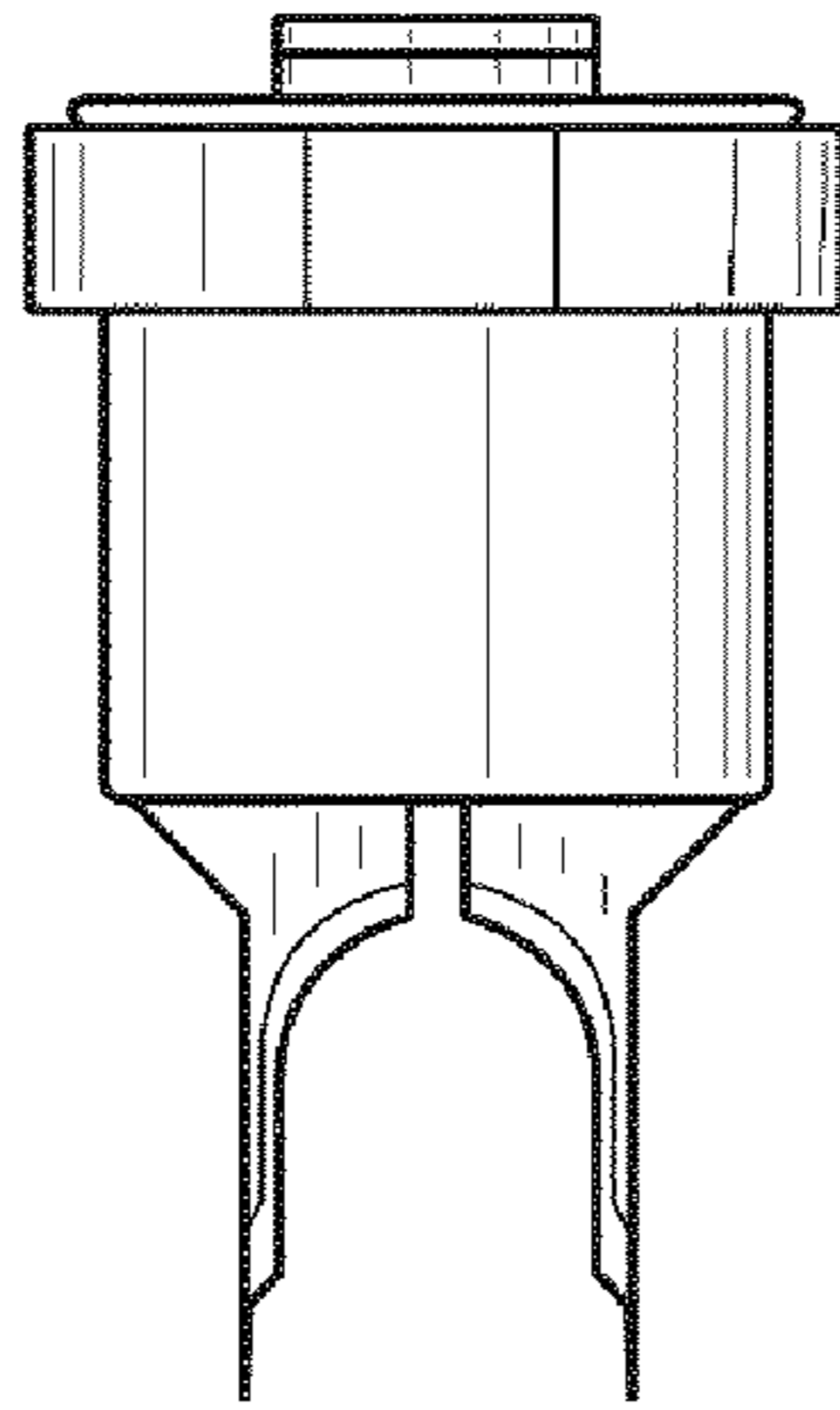


FIG. 11

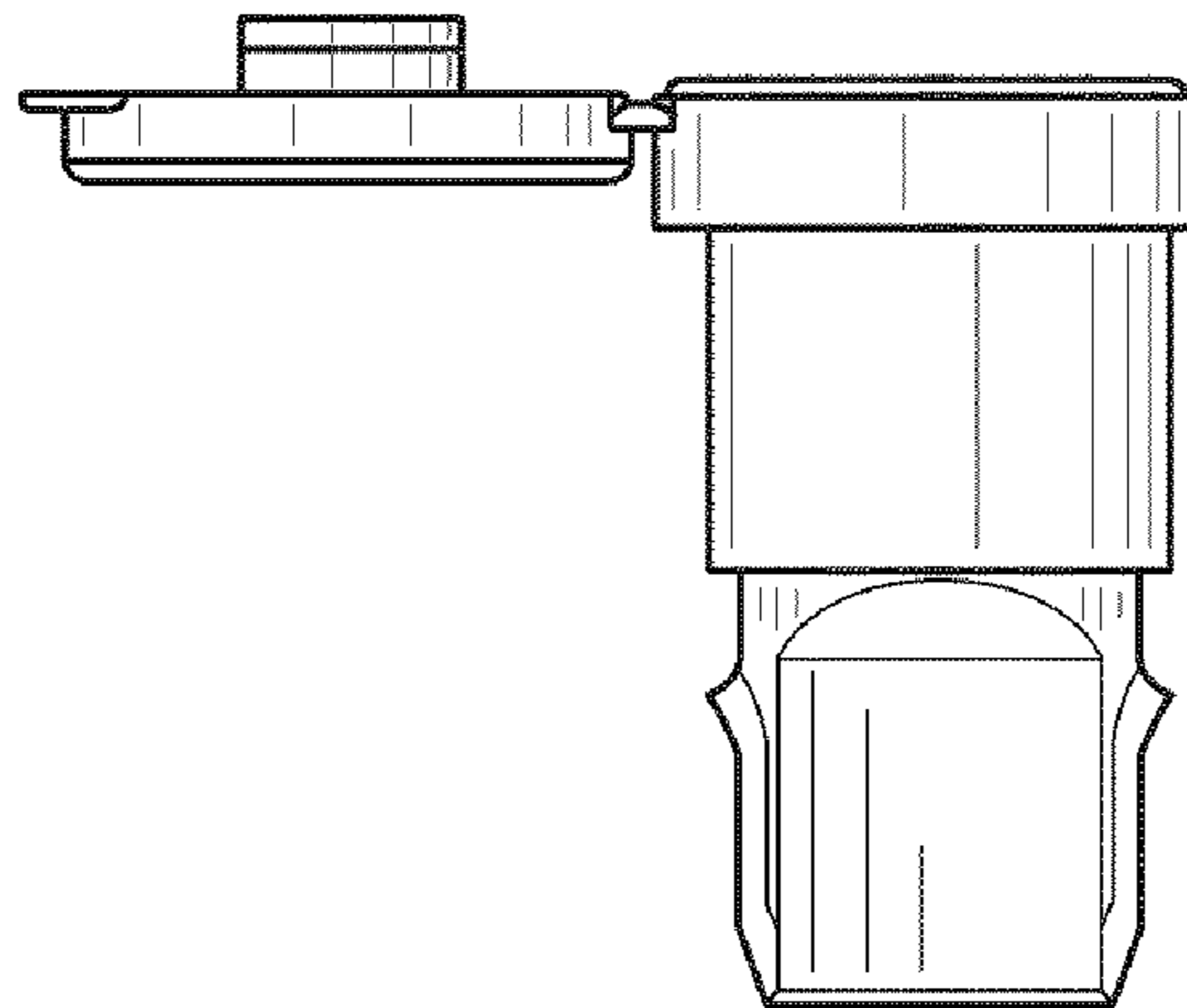


FIG. 12

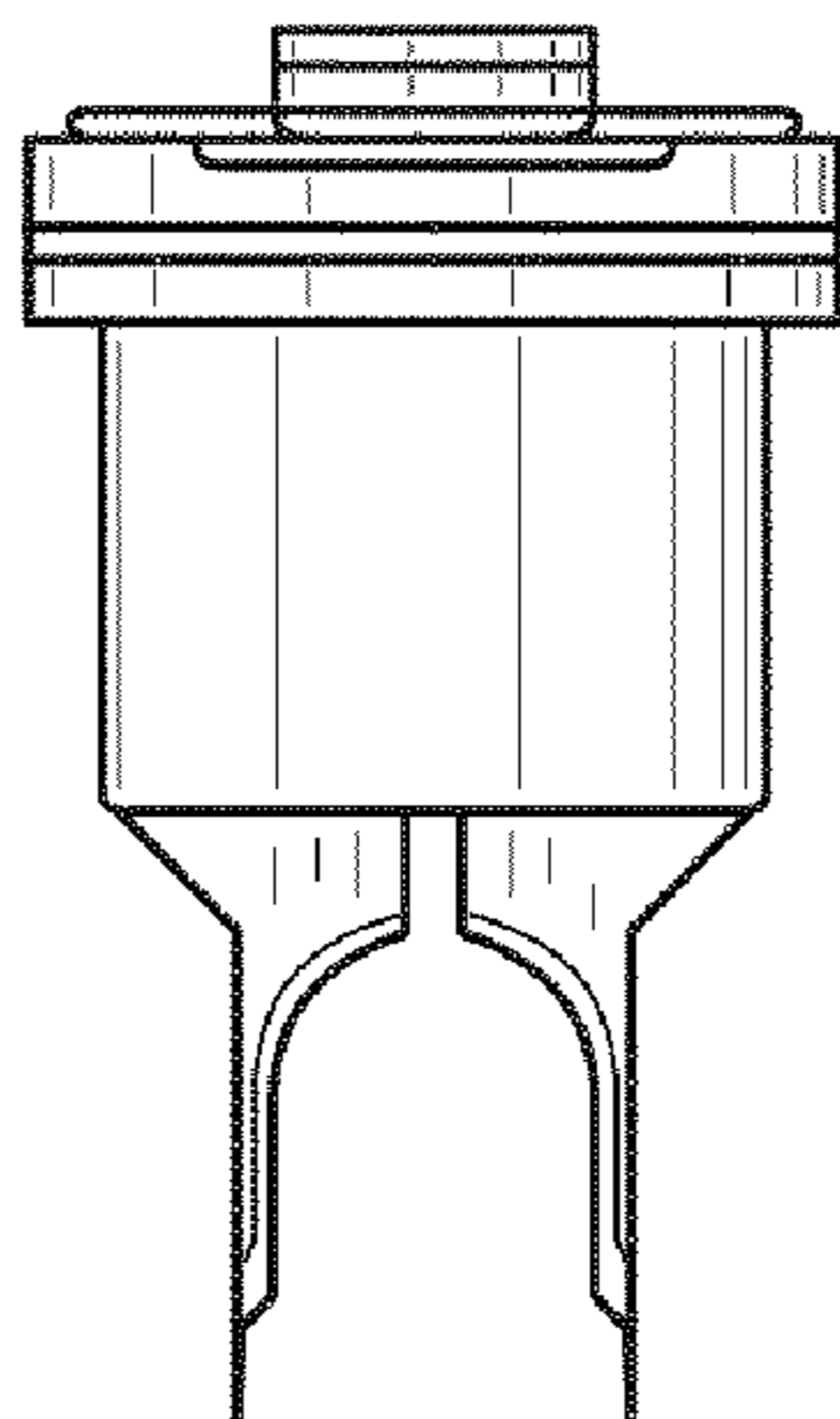


FIG. 13