

US00D642462S

(12) **United States Design Patent**
Samartgis

(10) **Patent No.:** **US D642,462 S**

(45) **Date of Patent:** **** *Aug. 2, 2011**

(54) **LID AND SEAL FOR CONTAINER**

(75) Inventor: **Jim Samartgis**, Melbourne (AU)

(73) Assignee: **The Decor Corporation Pty Ltd.**,
Scoresby, Victoria (AU)

(*) Notice: This patent is subject to a terminal disclaimer.

(**) Term: **14 Years**

(21) Appl. No.: **29/354,989**

(22) Filed: **Feb. 1, 2010**

(30) **Foreign Application Priority Data**

Aug. 10, 2009 (AU) 12999/2009

(51) **LOC (9) Cl.** **09-07**

(52) **U.S. Cl.** **D9/435**

(58) **Field of Classification Search** D9/424,
D9/425, 431, 432, 434, 435, 436, 438, 455,
D9/456, 444, 445, 443; D7/392.1, 629, 391,
D7/607, 608, 622, 624.2, 624.3; 220/780,
220/256, 901, 802, 796, 784, 781; 215/352,
215/328, 256, 253, 252, 243, 237, 228, 223
See application file for complete search history.

(56) **References Cited**

U.S. PATENT DOCUMENTS

D3,357 S *	2/1869	Pratt	D9/434
D3,358 S *	2/1869	Pratt	D9/434
D117,714 S *	11/1939	Guttman	D9/455
D170,104 S *	7/1953	Zabel	D9/443
3,384,263 A *	5/1968	Bernstein	206/519
D220,448 S *	4/1971	Swett	D7/629
D224,553 S *	8/1972	Swett	D7/542
D224,554 S *	8/1972	Swett	D7/629

(Continued)

OTHER PUBLICATIONS

U.S. Appl. No. 29/353,513, Jim Samartgis.

(Continued)

Primary Examiner — Rob Spear

Assistant Examiner — Rashida C McCoy

(74) *Attorney, Agent, or Firm* — Cook Alex Ltd.

(57) **CLAIM**

I claim the ornamental design for a lid and seal for container, as shown and described.

DESCRIPTION

FIG. 1 is a front perspective view, from above, of the claimed design;

FIG. 2 is a rear perspective view, from beneath, of the claimed design;

FIG. 3 is an exploded front perspective view, from above, of the claimed design, showing the Lid component and Seal component separated;

FIG. 4 is an exploded rear perspective view, from beneath, of the claimed design, showing the Lid component and Seal component separated;

FIG. 5 is a top plan view of the Lid component of the claimed design;

FIG. 6 is an underneath plan view of the Lid component of the claimed design;

FIG. 7 is a left or right side view of the Lid component of the claimed design. The left side view is the same as the right side view;

FIG. 8 is an end view of the Lid component of the claimed design. Both end views are the same;

FIG. 9 is a left or right side view of the Seal component of the claimed design. The left side view is the same as the right side view;

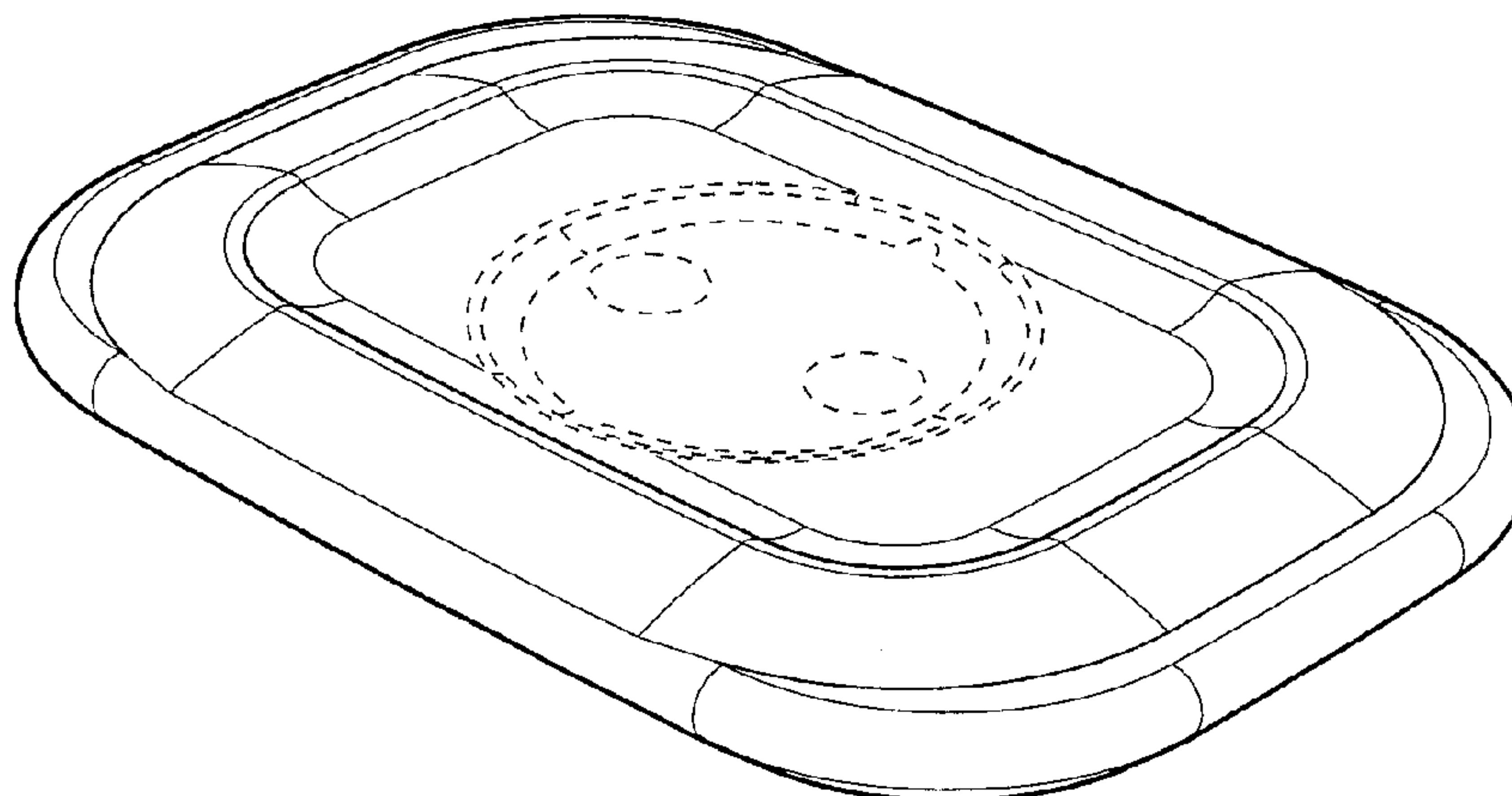
FIG. 10 is an end view of the Seal component of the claimed design. Both end views are the same;

FIG. 11 is a top plan view of the Seal component of the claimed design; and,

FIG. 12 is an underneath plan view of the Seal component of the claimed design.

The purpose of broken lines in the drawing is to illustrate an optional vent that forms no part of the design to be patented.

1 Claim, 6 Drawing Sheets



U.S. PATENT DOCUMENTS

D229,916	S	*	1/1974	Schneider	D7/542
D232,703	S	*	9/1974	Konz	D9/424
D234,568	S	*	3/1975	Swett	D7/629
D240,114	S	*	6/1976	Martinelli	D7/629
D241,599	S	*	9/1976	Croyle	D7/629
D241,703	S	*	10/1976	Ashton	D7/629
D267,703	S	*	1/1983	Chase et al.	D9/435
D285,906	S	*	9/1986	Tyler	D9/425
D287,573	S	*	1/1987	Tyler	D9/435
D289,719	S	*	5/1987	Daenen et al.	D7/392.1
D330,660	S	*	11/1992	Newton et al.	D7/392.1
D351,791	S	*	10/1994	Morris, Sr.	D9/425
D354,655	S	*	1/1995	Daenen et al.	D7/392.1
D358,328	S	*	5/1995	Huerto et al.	D9/435
D365,273	S	*	12/1995	Indekeu	D9/434
D375,654	S	*	11/1996	Ferris	D7/392.1
D403,582	S	*	1/1999	Nask et al.	D9/435
D403,583	S	*	1/1999	Nask et al.	D9/435
D446,117	S	*	8/2001	Conti	D9/435
D536,248	S	*	2/2007	Lesquir	D9/435
D540,669	S	*	4/2007	George et al.	D9/435
D571,200	S	*	6/2008	Bouveret et al.	D9/435
D584,145	S	*	1/2009	Young	D9/435
D588,914	S	*	3/2009	Laurieu-Tedeschi	D9/435
D593,855	S	*	6/2009	Scheve	D9/435

OTHER PUBLICATIONS

- U.S. Appl. No. 29/353,514, Jim Samartgis.
- U.S. Appl. No. 29/353,515, Jim Samartgis.
- U.S. Appl. No. 29/353,518, Jim Samartgis.
- U.S. Appl. No. 29/353,523, Jim Samartgis.

- U.S. Appl. No. 29/353,525, Jim Samartgis.
- U.S. Appl. No. 29/353,529, Jim Samartgis.
- U.S. Appl. No. 29/353,530, Jim Samartgis.
- U.S. Appl. No. 29/353,531, Jim Samartgis.
- U.S. Appl. No. 29/353,532, Jim Samartgis.
- U.S. Appl. No. 29/353,533, Jim Samartgis.
- U.S. Appl. No. 29/353,537, Jim Samartgis.
- U.S. Appl. No. 29/354,967, Jim Samartgis.
- U.S. Appl. No. 29/354,969, Jim Samartgis.
- U.S. Appl. No. 29/354,971, Jim Samartgis.
- U.S. Appl. No. 29/354,972, Jim Samartgis.
- U.S. Appl. No. 29/354,973, Jim Samartgis.
- U.S. Appl. No. 29/354,975, Jim Samartgis.
- U.S. Appl. No. 29/354,976, Jim Samartgis.
- U.S. Appl. No. 29/354,977, Jim Samartgis.
- U.S. Appl. No. 29/354,979, Jim Samartgis.
- U.S. Appl. No. 29/354,981, Jim Samartgis.
- U.S. Appl. No. 29/354,988, Jim Samartgis.
- U.S. Appl. No. 29/354,989, Jim Samartgis.
- U.S. Appl. No. 29/359,442, Jim Samartgis.
- U.S. Appl. No. 29/359,443, Jim Samartgis.
- U.S. Appl. No. 29/359,448, Jim Samartgis.
- U.S. Appl. No. 29/359,450, Jim Samartgis.
- U.S. Appl. No. 29/359,452, Jim Samartgis.
- U.S. Appl. No. 29/359,453, Jim Samartgis.
- U.S. Appl. No. 29/359,454, Jim Samartgis.
- U.S. Appl. No. 29/359,456, Jim Samartgis.
- U.S. Appl. No. 29/359,457, Jim Samartgis.

* cited by examiner

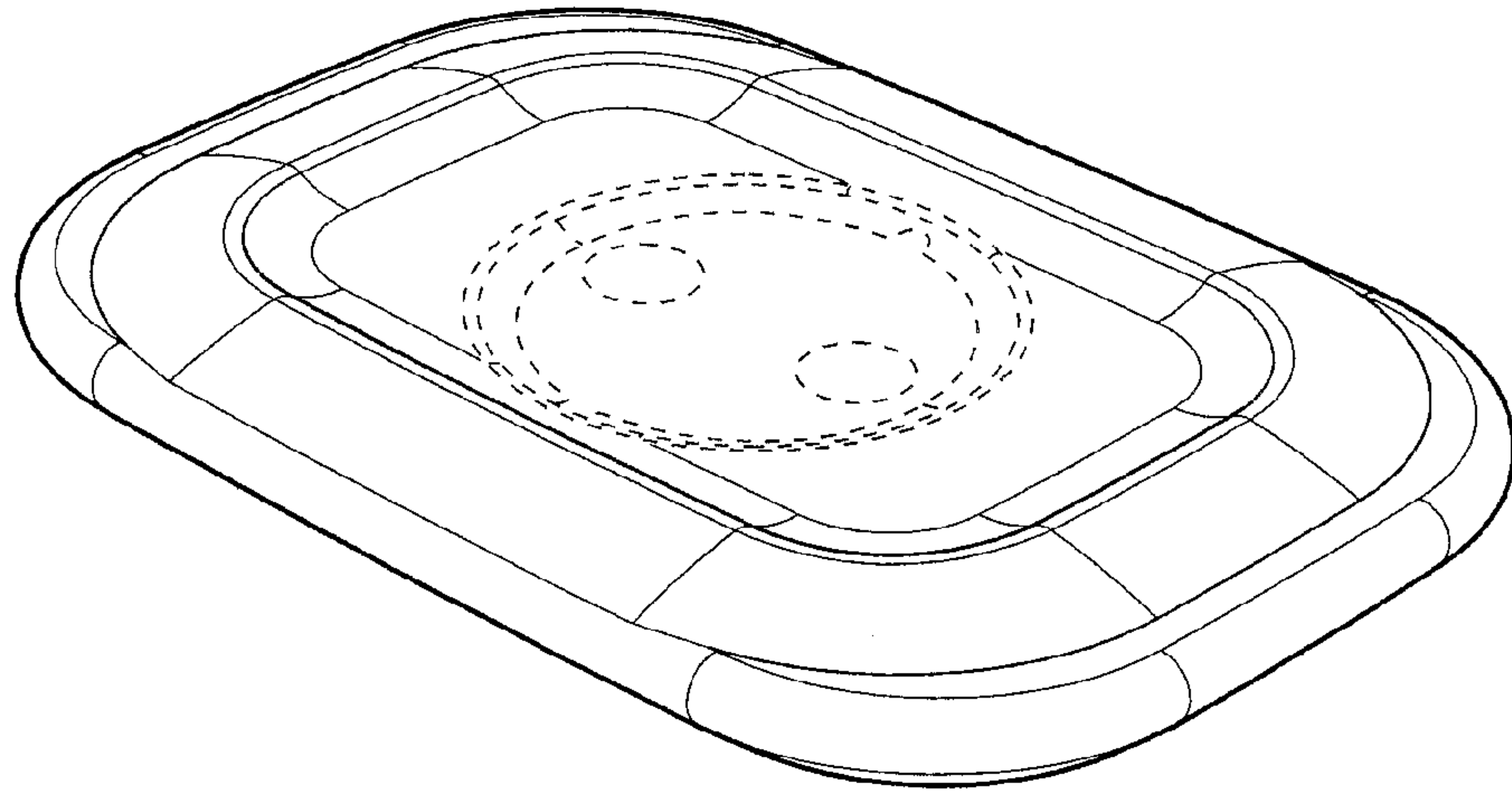


Fig. 1

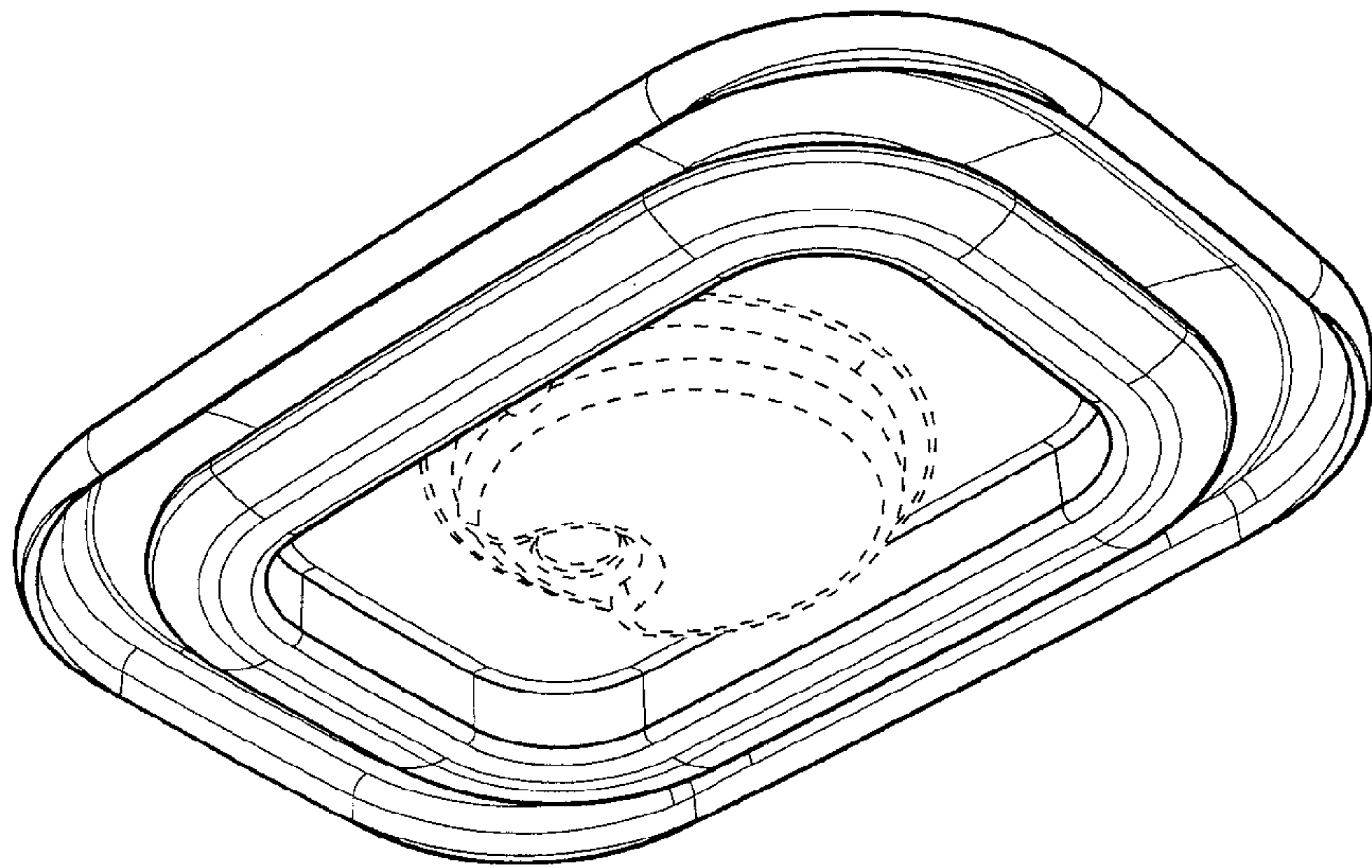


Fig. 2

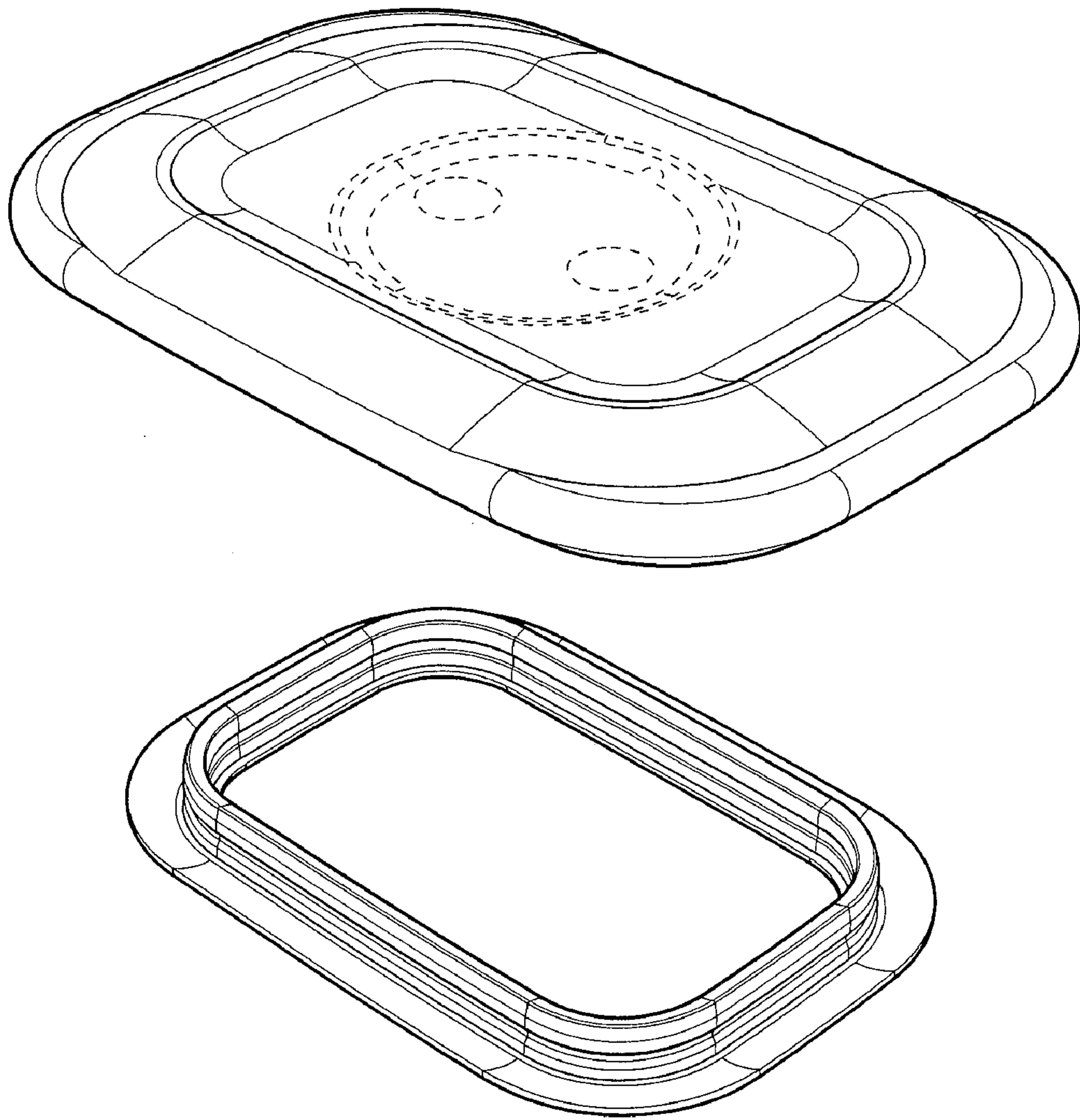


Fig. 3

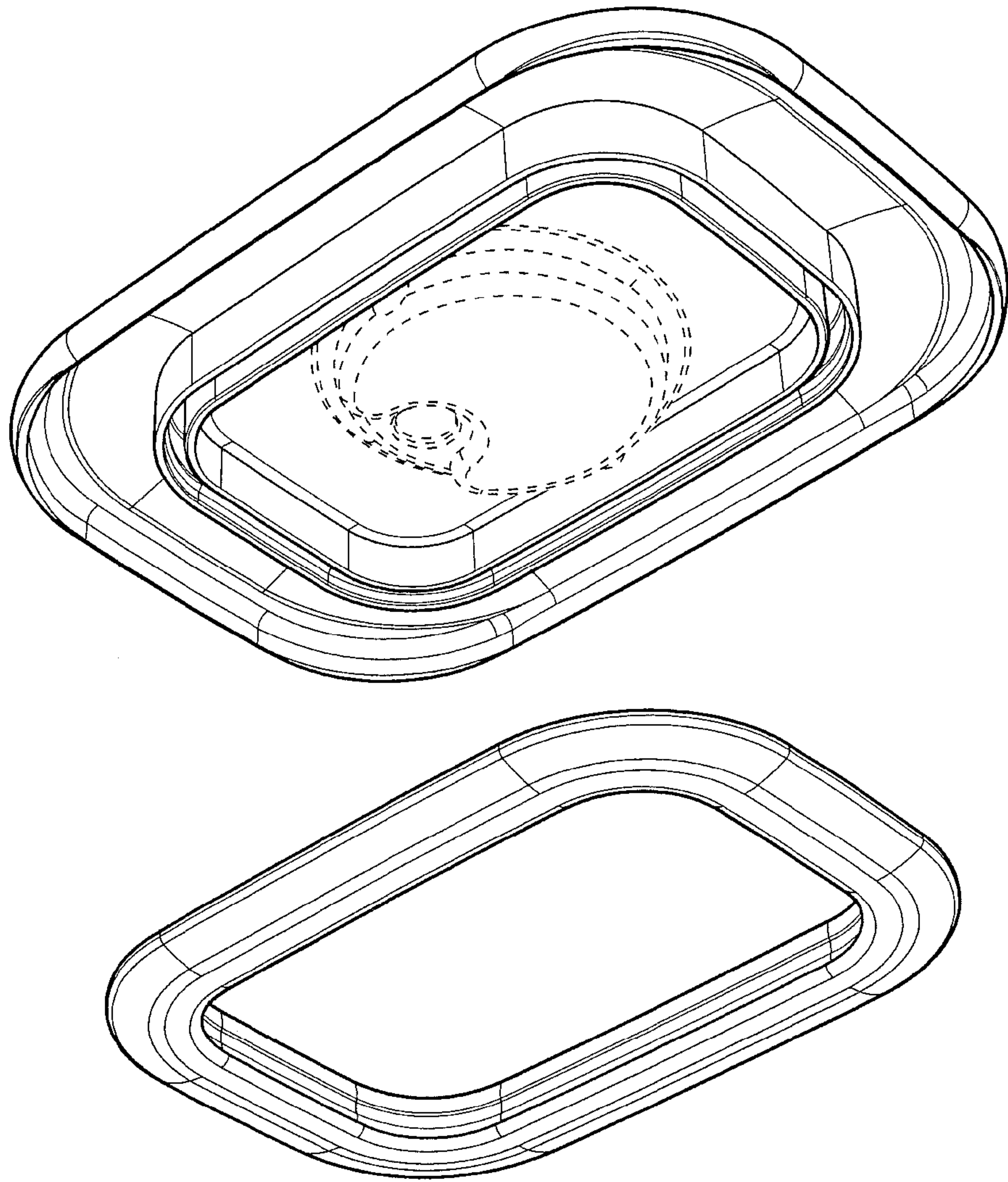


Fig. 4

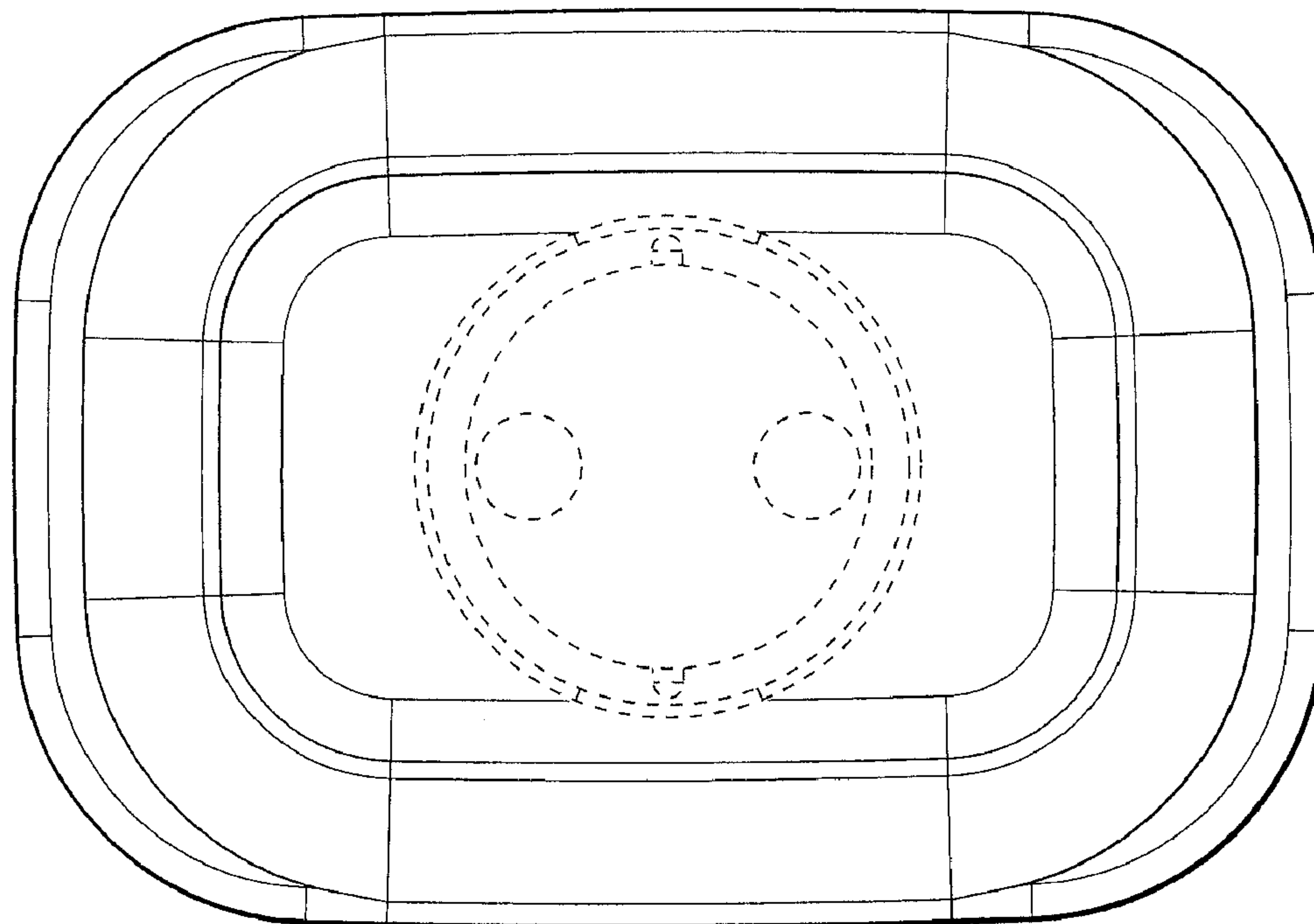


Fig. 5

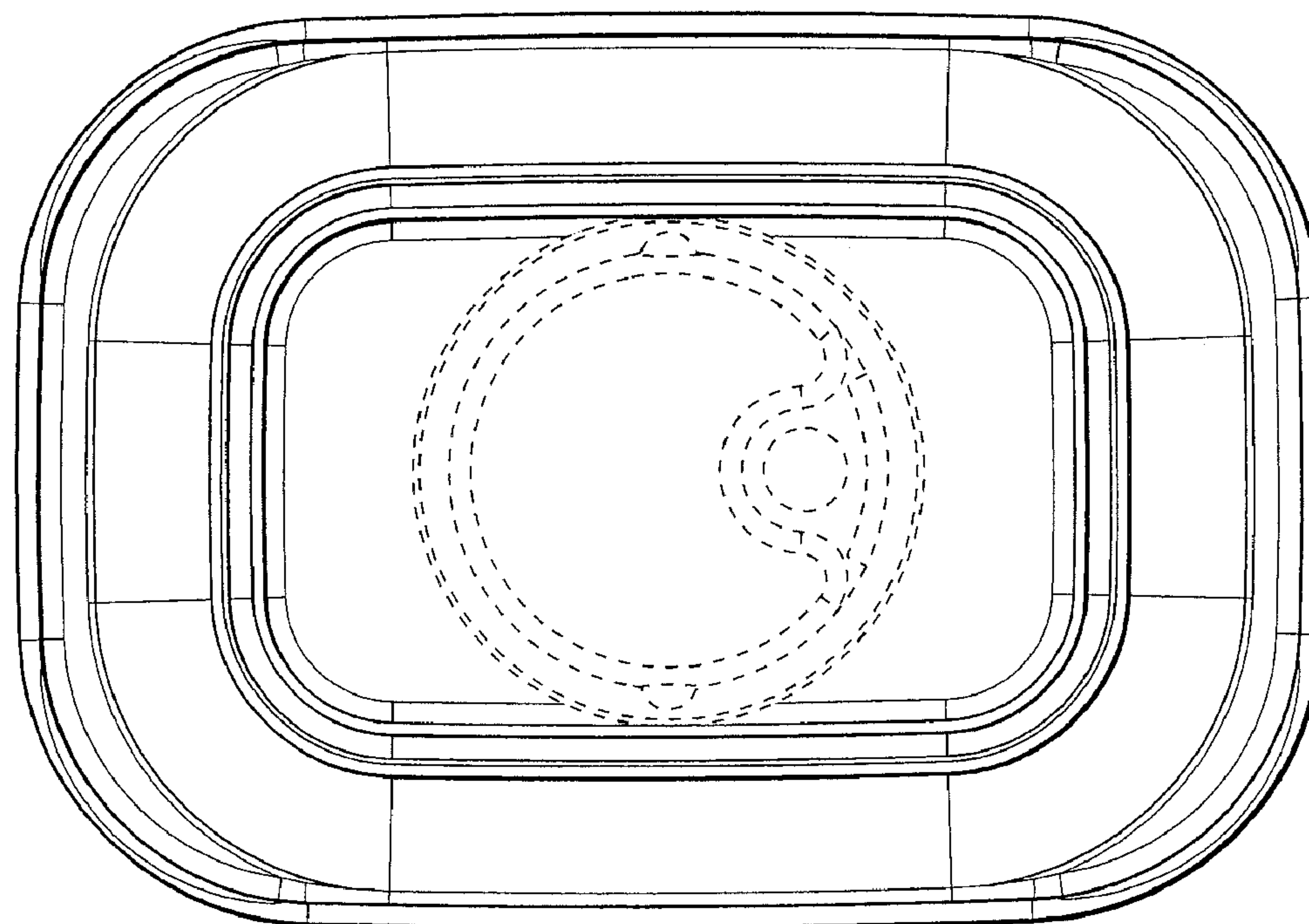


Fig. 6

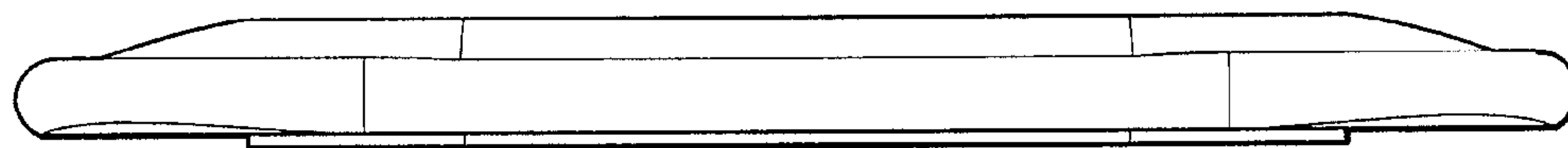


Fig. 7

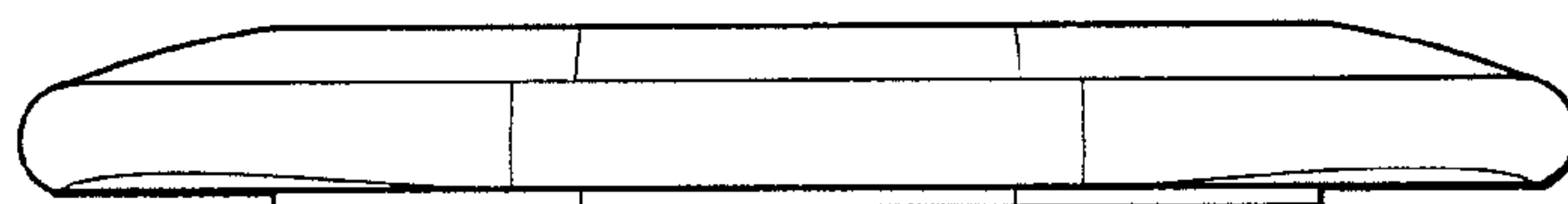


Fig. 8

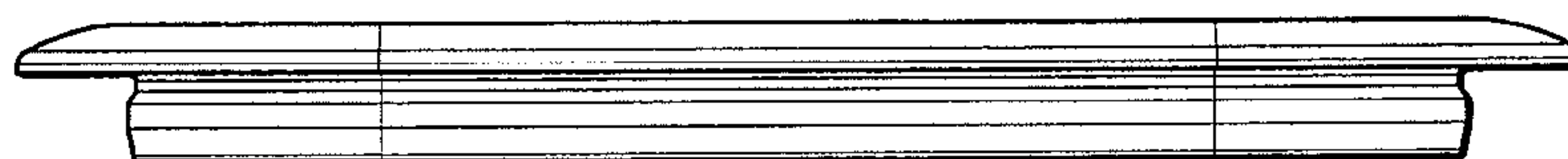


Fig. 9

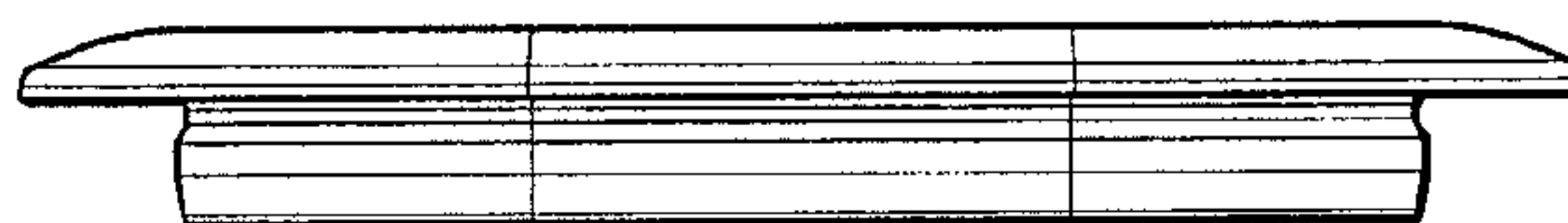


Fig. 10

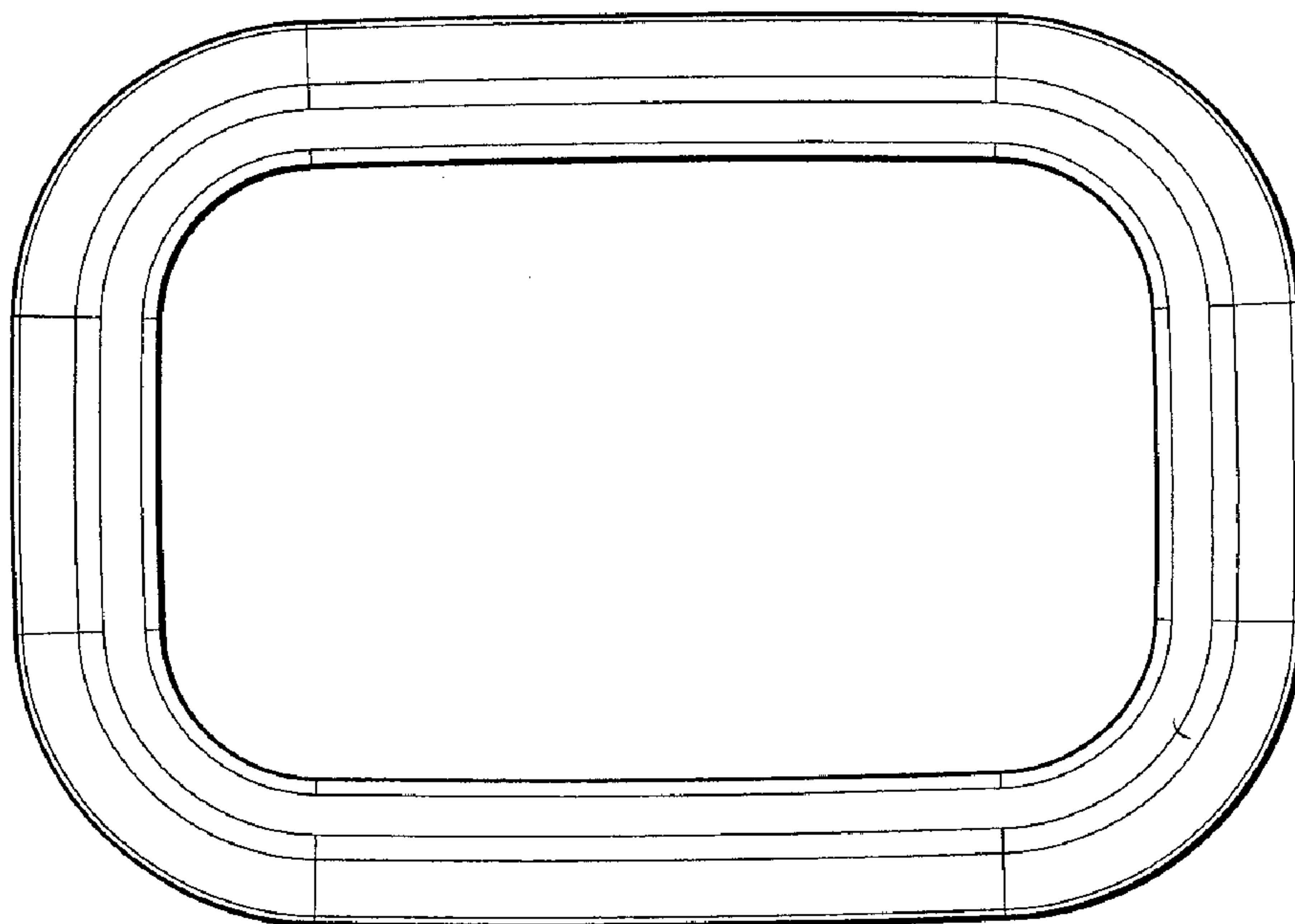


Fig. 11

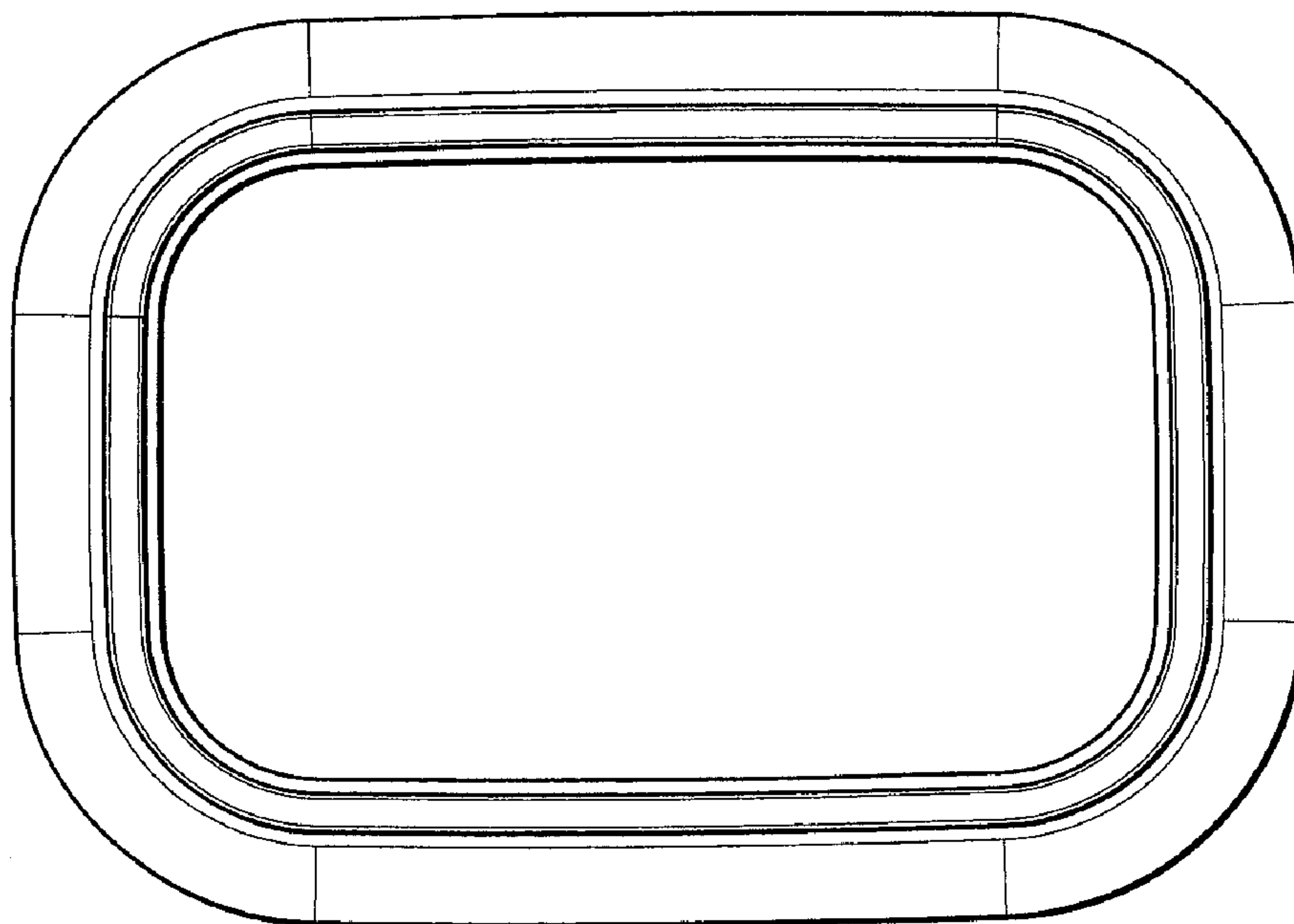


Fig. 12