



US00D642456S

(12) **United States Design Patent**  
**Mittelstaedt**

(10) **Patent No.:** **US D642,456 S**

(45) **Date of Patent:** **\*\* \*Aug. 2, 2011**

(54) **STORAGE CONTAINER**

(76) Inventor: **Chris Mittelstaedt**, South San Francisco, CA (US)

(\* ) Notice: This patent is subject to a terminal disclaimer.

(\*\*) Term: **14 Years**

(21) Appl. No.: **29/305,809**

(22) Filed: **Mar. 27, 2008**

(51) **LOC (9) Cl.** ..... **09-03**

(52) **U.S. Cl.** ..... **D9/432**

(58) **Field of Classification Search** ..... D9/430-433, D9/414, 418, 420-423, 435, 560, 561; D3/201, D3/272, 273, 305; 206/278, 297, 299, 320, 206/339, 433, 769, 770, 775, 776, 781, 782, 206/822; 229/100, 103.3, 104-106, 107, 229/108, 108.1, 110, 111, 112, 115, 117.16, 229/120, 125.015, 120.32, 133.24, 122.29, 229/124, 160.1, 162.1, 162.6, 163, 182.1, 229/201, 406, 407, 902, 904, 906, 922, 930, 229/939, 942

See application file for complete search history.

(56) **References Cited**

**U.S. PATENT DOCUMENTS**

1,559,834	A *	11/1925	Zalkind	.....	229/104
1,897,826	A *	2/1933	Stokes	.....	229/122.24
1,940,183	A *	12/1933	Petersen	.....	229/117.16
1,965,503	A *	7/1934	Lowman	.....	206/167
2,133,590	A *	10/1938	Stopper	.....	229/117.19
2,331,754	A *	10/1943	Wohlers	.....	229/148
2,398,797	A *	4/1946	Stein et al.	.....	229/148
2,695,126	A *	11/1954	Russell	.....	383/111
2,758,778	A *	8/1956	Arneson	.....	229/162.1
2,764,336	A *	9/1956	White	.....	229/148
2,811,296	A *	10/1957	Long	.....	229/117.16
2,869,769	A *	1/1959	Robinson	.....	217/12 R
2,957,615	A *	10/1960	Karr et al.	.....	229/126

3,064,877	A *	11/1962	Forrer et al.	.....	229/150
3,163,344	A *	12/1964	Tunick	.....	229/120
3,497,907	A *	3/1970	Colina	.....	16/257
3,543,995	A *	12/1970	Wilson	.....	229/102
3,744,705	A *	7/1973	Kuhn et al.	.....	229/148
3,791,571	A *	2/1974	Pilz, III	.....	206/424
3,826,420	A *	7/1974	Bamburg et al.	.....	229/102
3,924,801	A *	12/1975	Partain	.....	229/168
3,994,432	A *	11/1976	Kirby, Jr.	.....	229/117.13
4,511,079	A *	4/1985	Lopez	.....	229/101
D285,660	S *	9/1986	Cronioe	.....	D9/420
4,717,023	A *	1/1988	Oprean	.....	206/459.5
D329,199	S *	9/1992	Corso	.....	D9/432
5,395,044	A *	3/1995	Stout	.....	229/117.13
5,752,651	A *	5/1998	Correll	.....	229/150
D395,235	S *	6/1998	Andersson	.....	D9/432
5,857,570	A *	1/1999	Brown	.....	206/427
D422,498	S *	4/2000	Froehlich et al.	.....	D9/432
D482,608	S *	11/2003	Krebsbach et al.	.....	D9/624
D539,138	S *	3/2007	Mittelstaedt et al.	.....	D9/432
2005/0067477	A1 *	3/2005	McClure	.....	229/143
2007/0138245	A1 *	6/2007	Mittelstaedt et al.	.....	229/163
2008/0110964	A1 *	5/2008	Churvis	.....	229/100

\* cited by examiner

*Primary Examiner* — Robert M Spear

*Assistant Examiner* — Karen Acker

(74) *Attorney, Agent, or Firm* — Wiesner & Associates; Leland Wiesner

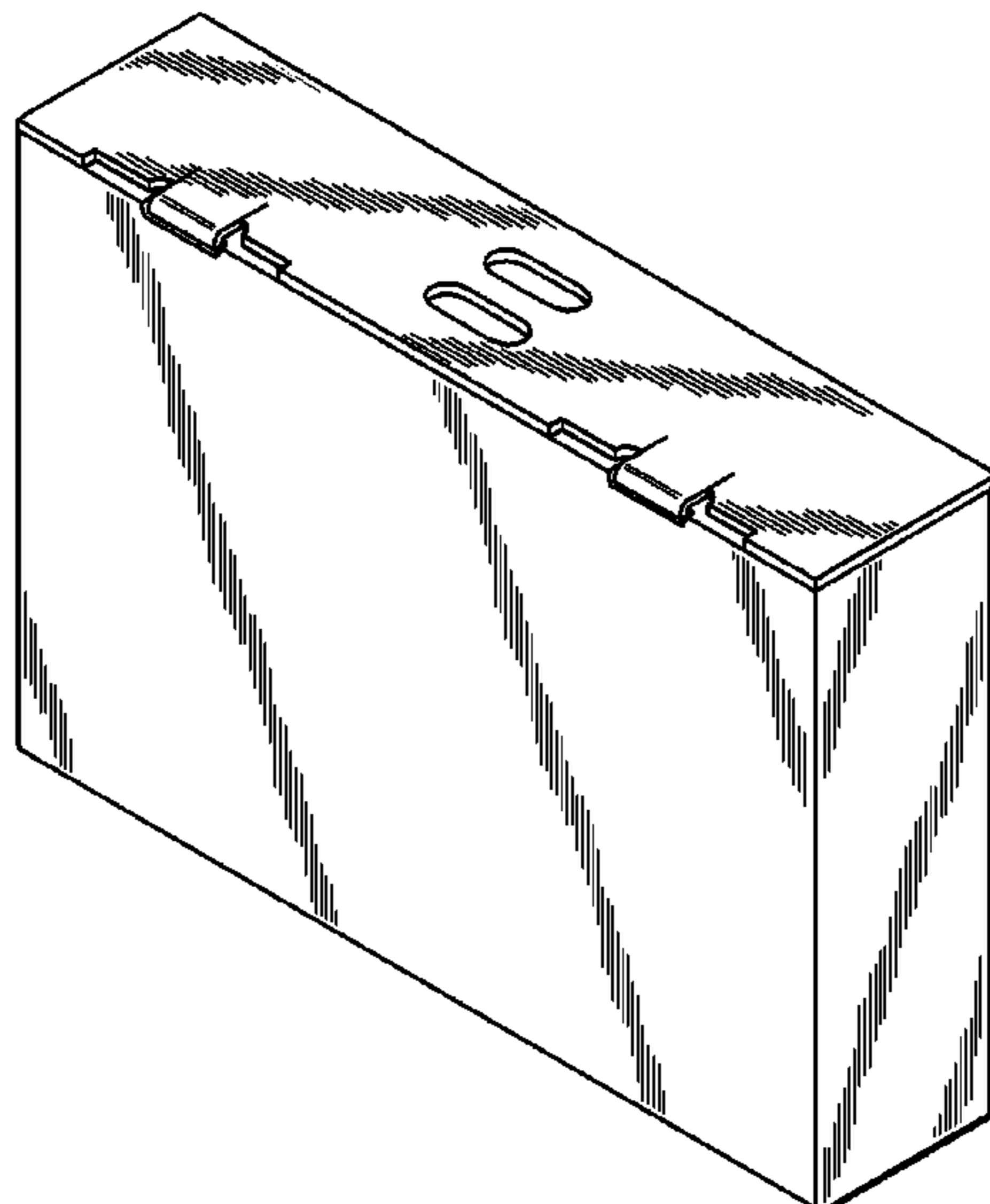
(57) **CLAIM**

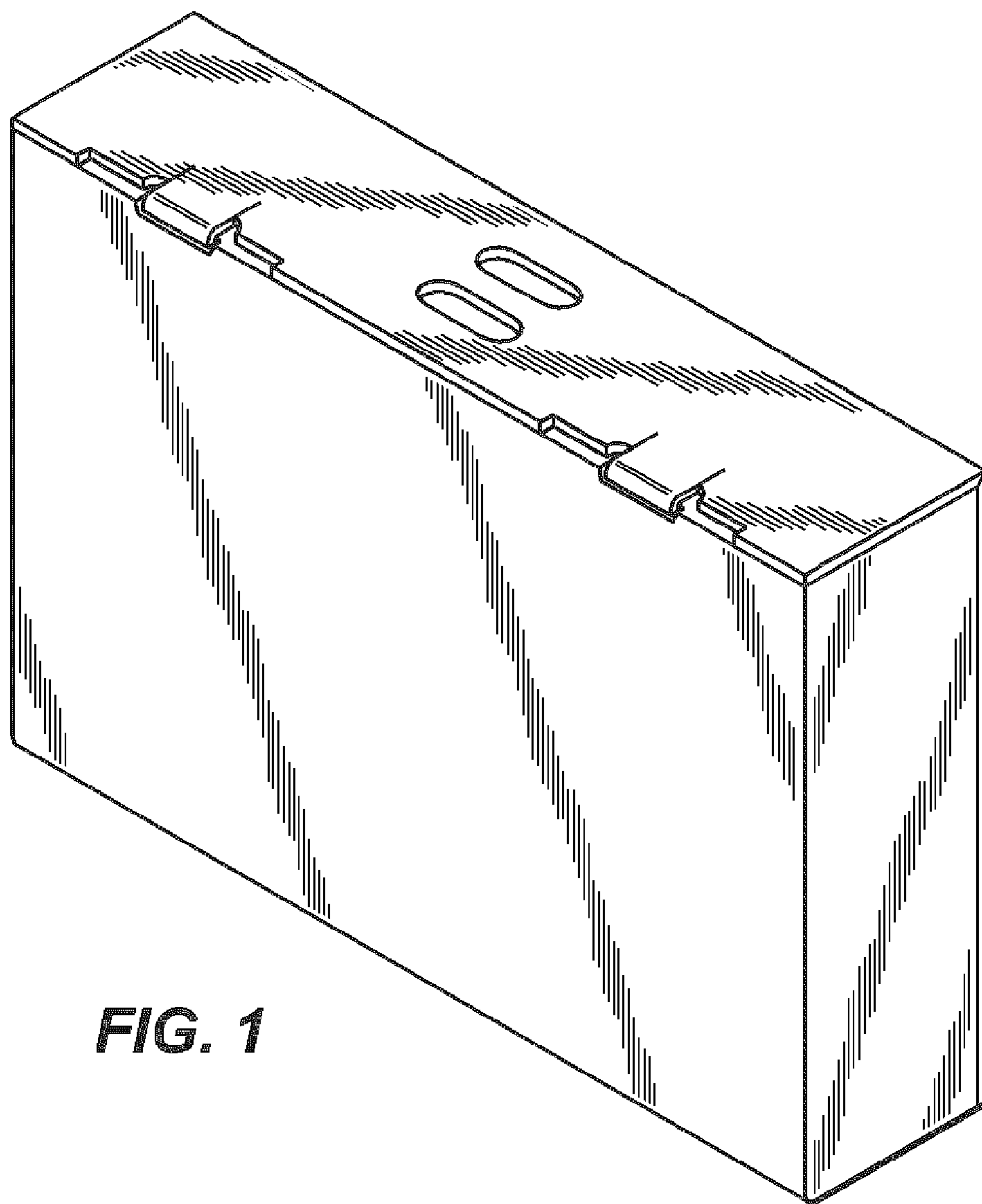
What is claimed is an ornamental design for a storage container, as shown and described.

**DESCRIPTION**

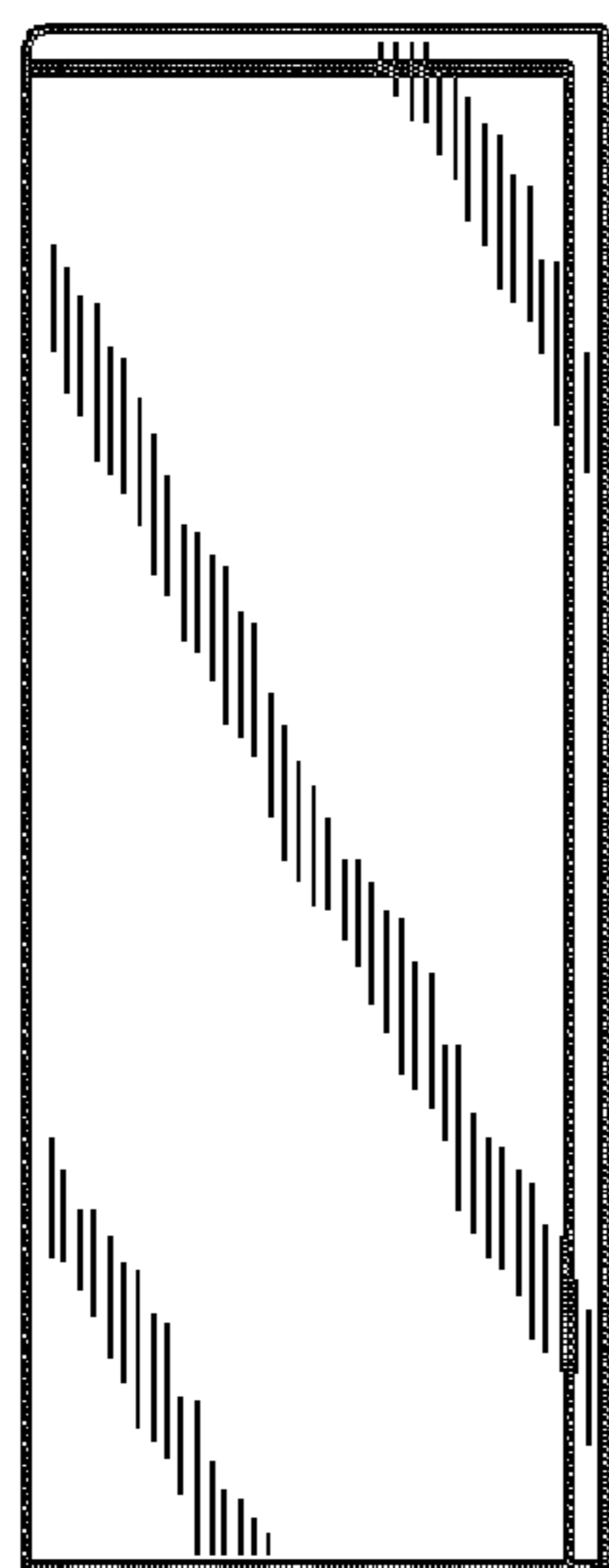
FIG. 1 is a perspective view of a storage container showing the new design;  
FIG. 2 is an a first side thereof;  
FIG. 3 is a second side view thereof;  
FIG. 4 is a third side view thereof;  
FIG. 5 is a top view thereof; and,  
FIG. 6 is a bottom view thereof.

**1 Claim, 3 Drawing Sheets**

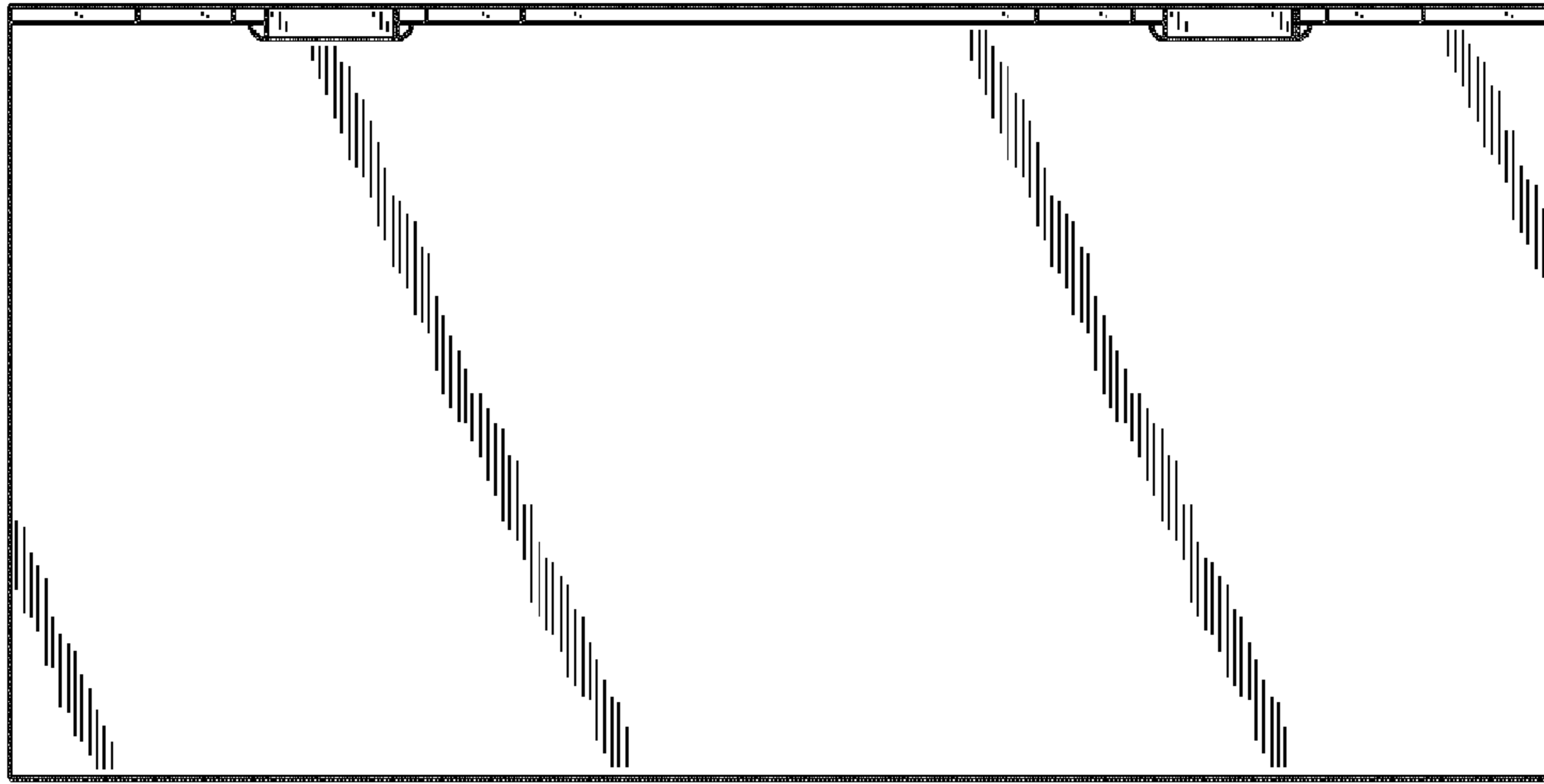




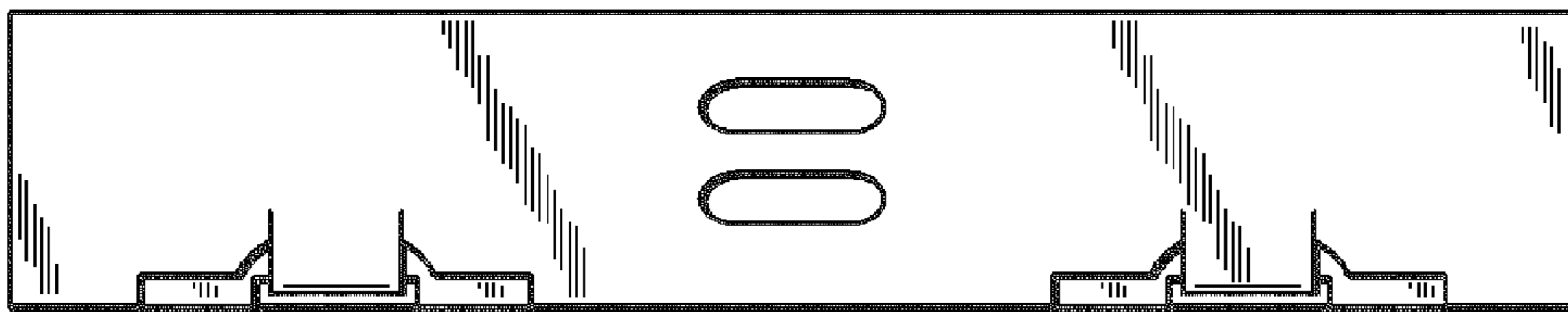
**FIG. 1**



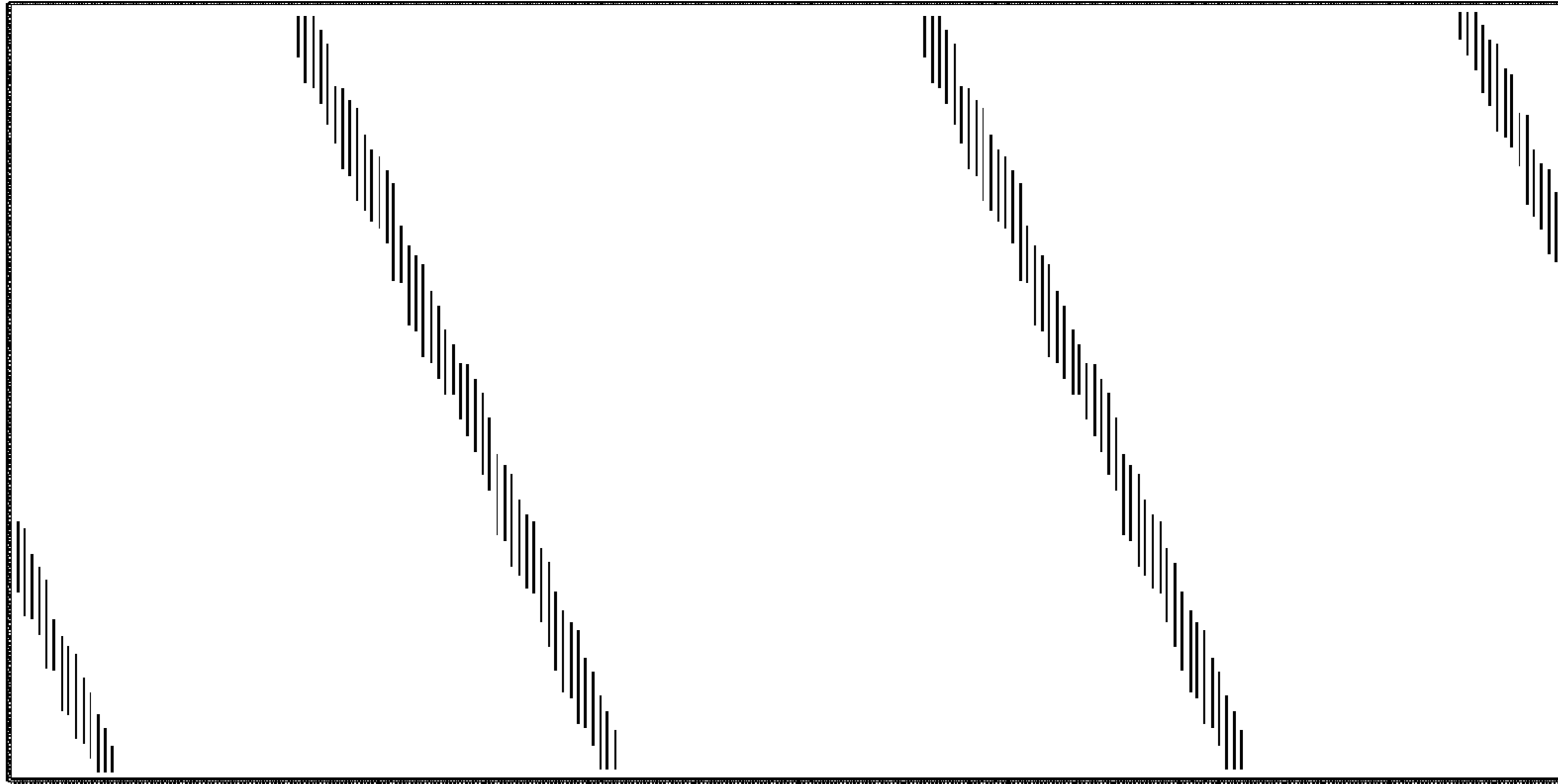
**FIG. 3**



**FIG. 2**



**FIG. 5**



**FIG. 4**



**FIG. 6**