



US00D642455S

(12) **United States Design Patent**
Santoiemmo

(10) **Patent No.:** **US D642,455 S**

(45) **Date of Patent:** **** Aug. 2, 2011**

(54) **CUP SHAPED CONTAINER**

(75) **Inventor:** **Carl Santoiemmo**, Highland Heights, OH (US)

(73) **Assignee:** **Omnifrio Beverage Co., LLC**, Highland Heights, OH (US)

(**) **Term:** **14 Years**

(21) **Appl. No.:** **29/367,461**

(22) **Filed:** **Aug. 9, 2010**

(51) **LOC (9) Cl.** **09-03**

(52) **U.S. Cl.** **D9/428**

(58) **Field of Classification Search** D9/414,
D9/418, 424, 425, 428, 429, 500; D7/619,
D7/629; 229/400-406, 932, 906.1; 220/656-659,
220/669-675, 912, 4.21-4.27; 206/553,
206/557, 541, 775, 776

See application file for complete search history.

(56) **References Cited**

U.S. PATENT DOCUMENTS

D250,397 S *	11/1978	Christian	D9/778
D257,931 S *	1/1981	Conti	D7/584
D265,462 S *	7/1982	Andrulionis et al.	D9/429
4,577,775 A *	3/1986	Kresin	220/604
D351,790 S *	10/1994	Haindl	D9/425

D418,055 S *	12/1999	Veto	D9/425
6,269,964 B1 *	8/2001	Turner, Jr.	220/23.86
D474,110 S *	5/2003	Sweeney	D9/428
6,688,469 B1 *	2/2004	Barnes	206/541
D568,156 S *	5/2008	Wilson et al.	D9/500
D572,133 S *	7/2008	Wilson et al.	D9/500
D577,288 S *	9/2008	Wilson et al.	D9/500
D606,363 S *	12/2009	Aardenburg	D7/400
D628,883 S *	12/2010	Stephens	D9/429
2009/0200313 A1 *	8/2009	Deutsch	220/573.1

* cited by examiner

Primary Examiner — Thomas Johannes

(74) *Attorney, Agent, or Firm* — Alston & Bird LLP

(57) **CLAIM**

The ornamental design for a cup shaped container, as shown and described.

DESCRIPTION

FIG. 1 is a perspective view of a cup shaped container showing my new design;

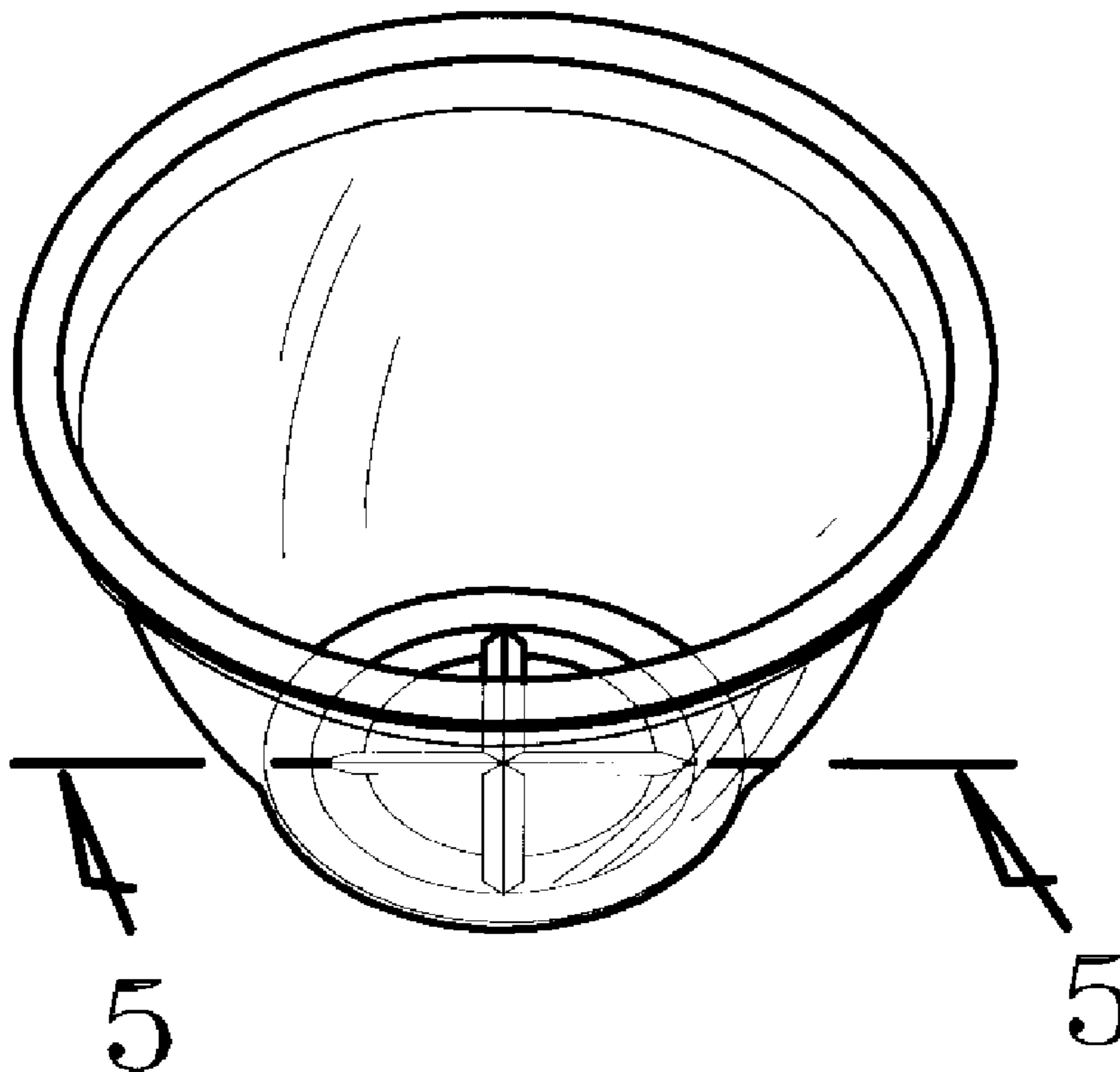
FIG. 2 is a right side elevational view thereof, the left side, front side and rear side elevational views being a mirror image thereof;

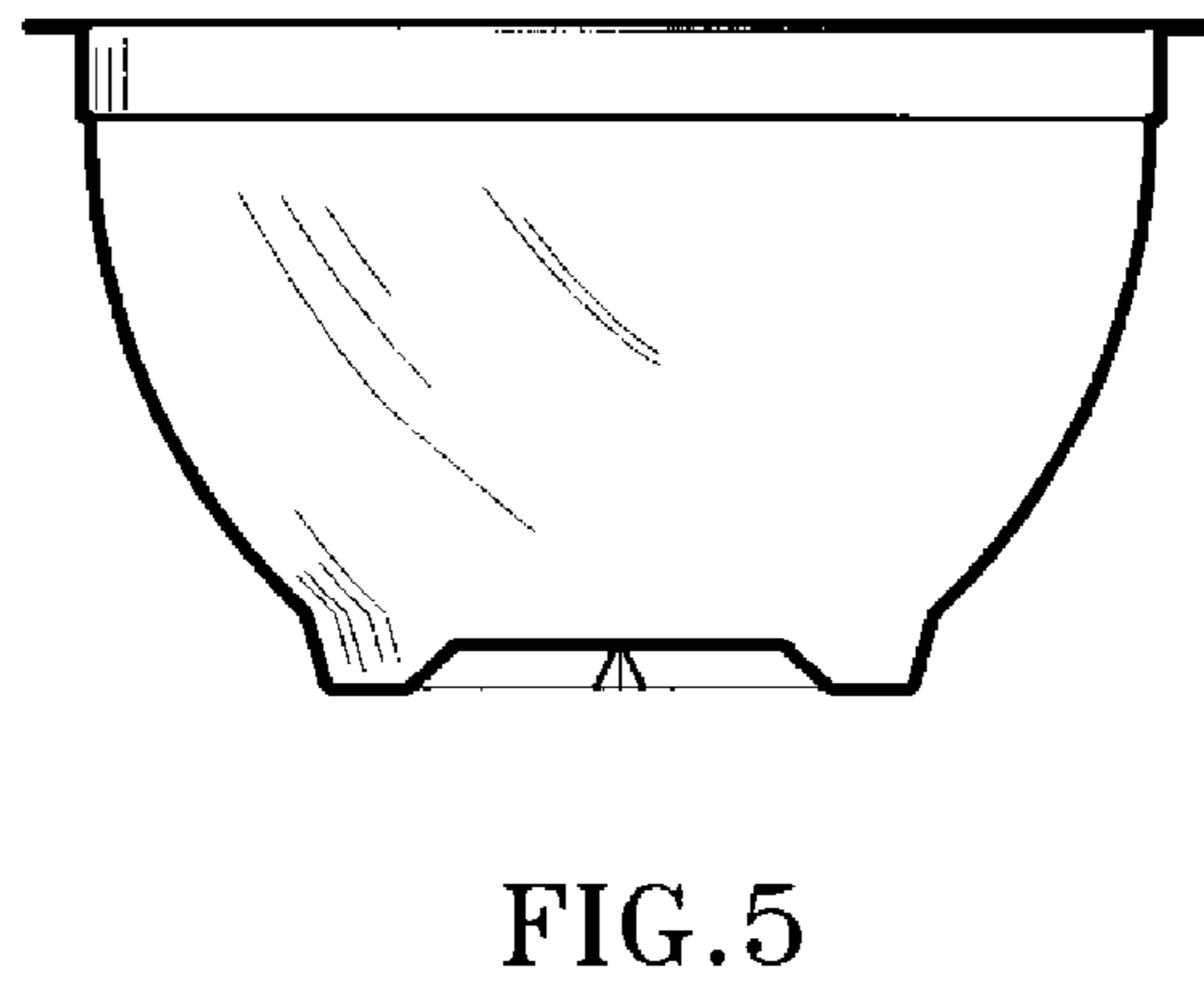
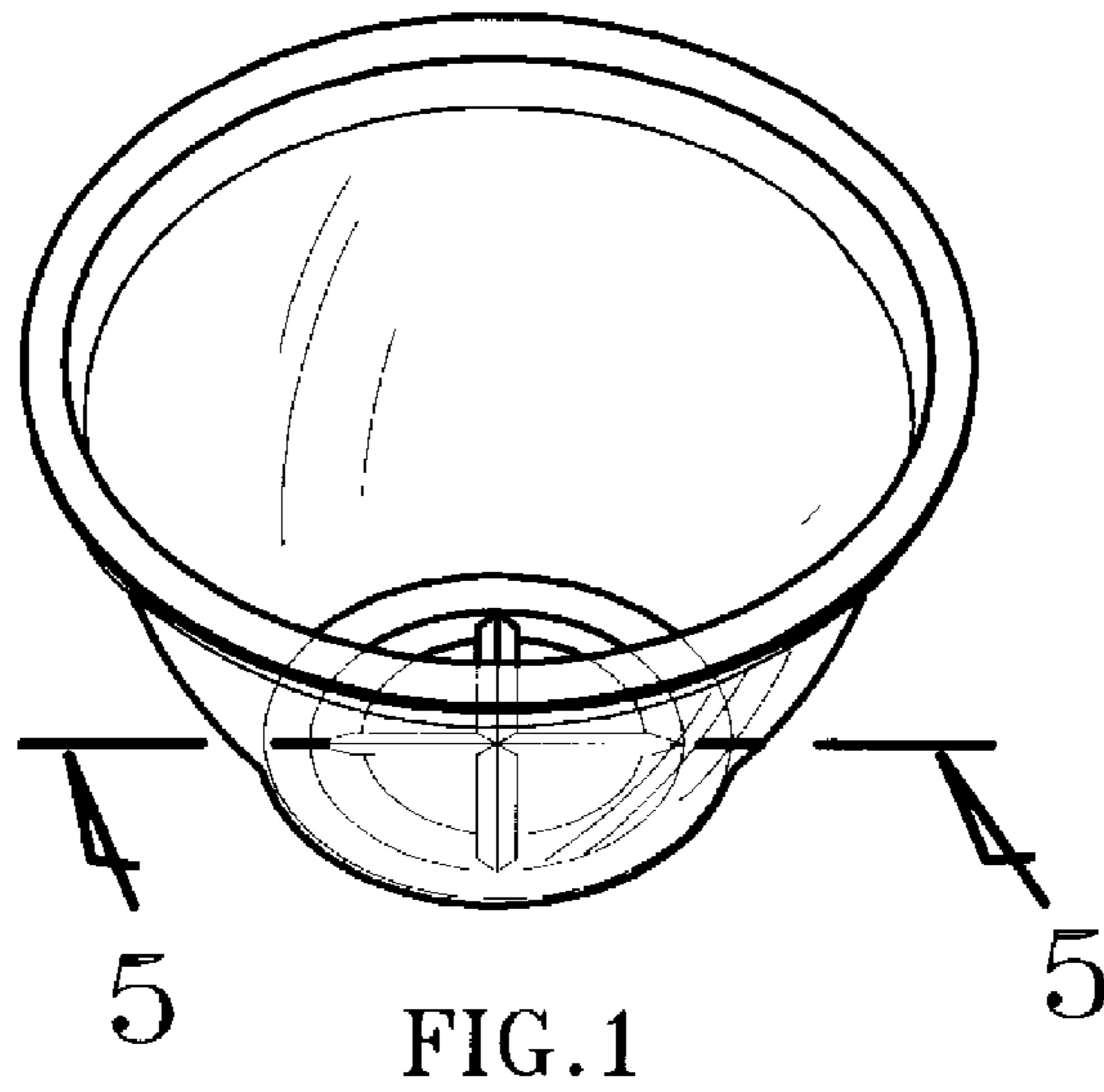
FIG. 3 is a top plan view thereof;

FIG. 4 is a bottom plan view thereof; and,

FIG. 5 is cross sectional detail view of the bottom portion of the cup shaped container taken in the direction of line 5—5 in FIG. 1.

1 Claim, 4 Drawing Sheets





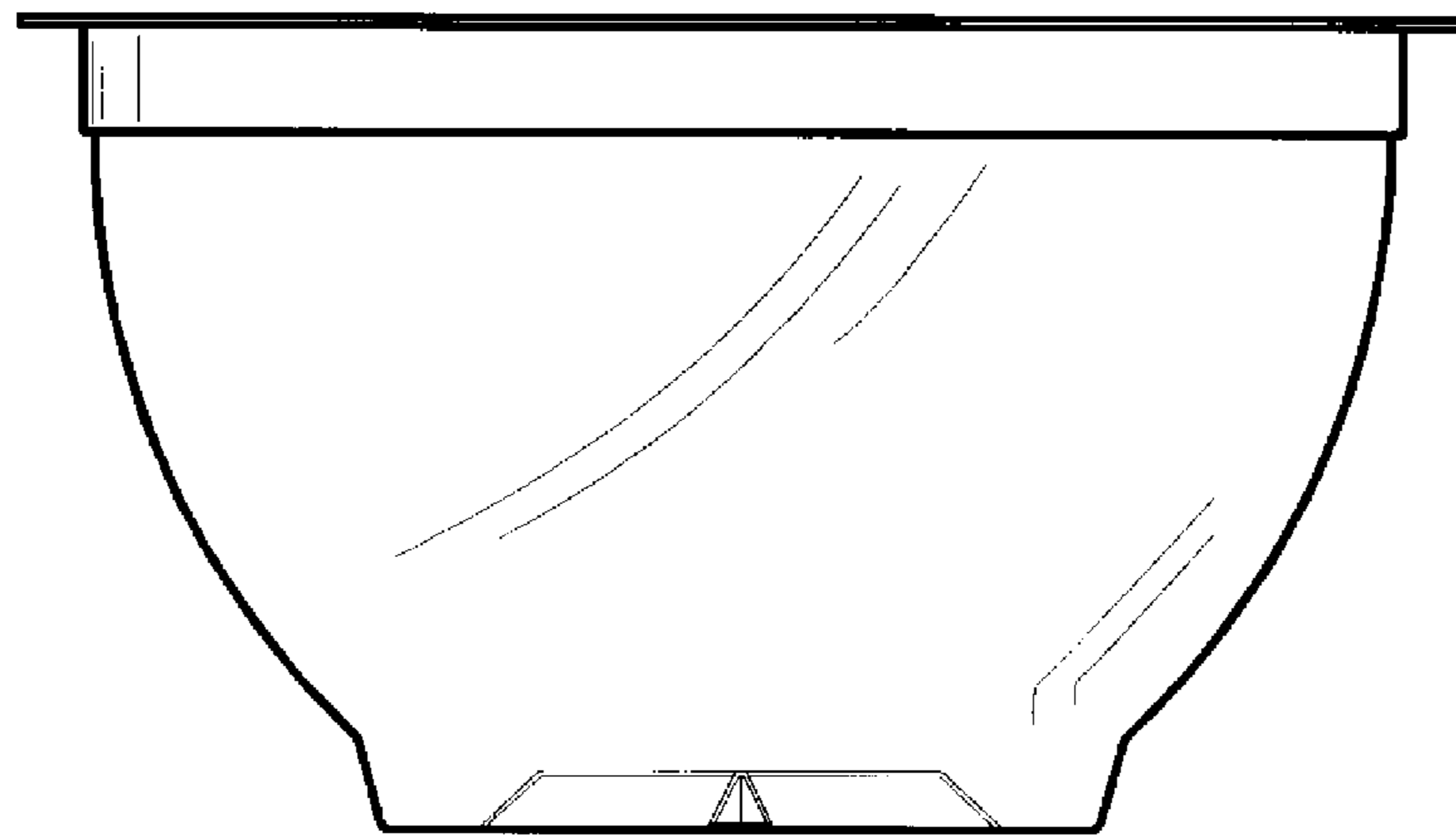


FIG. 2

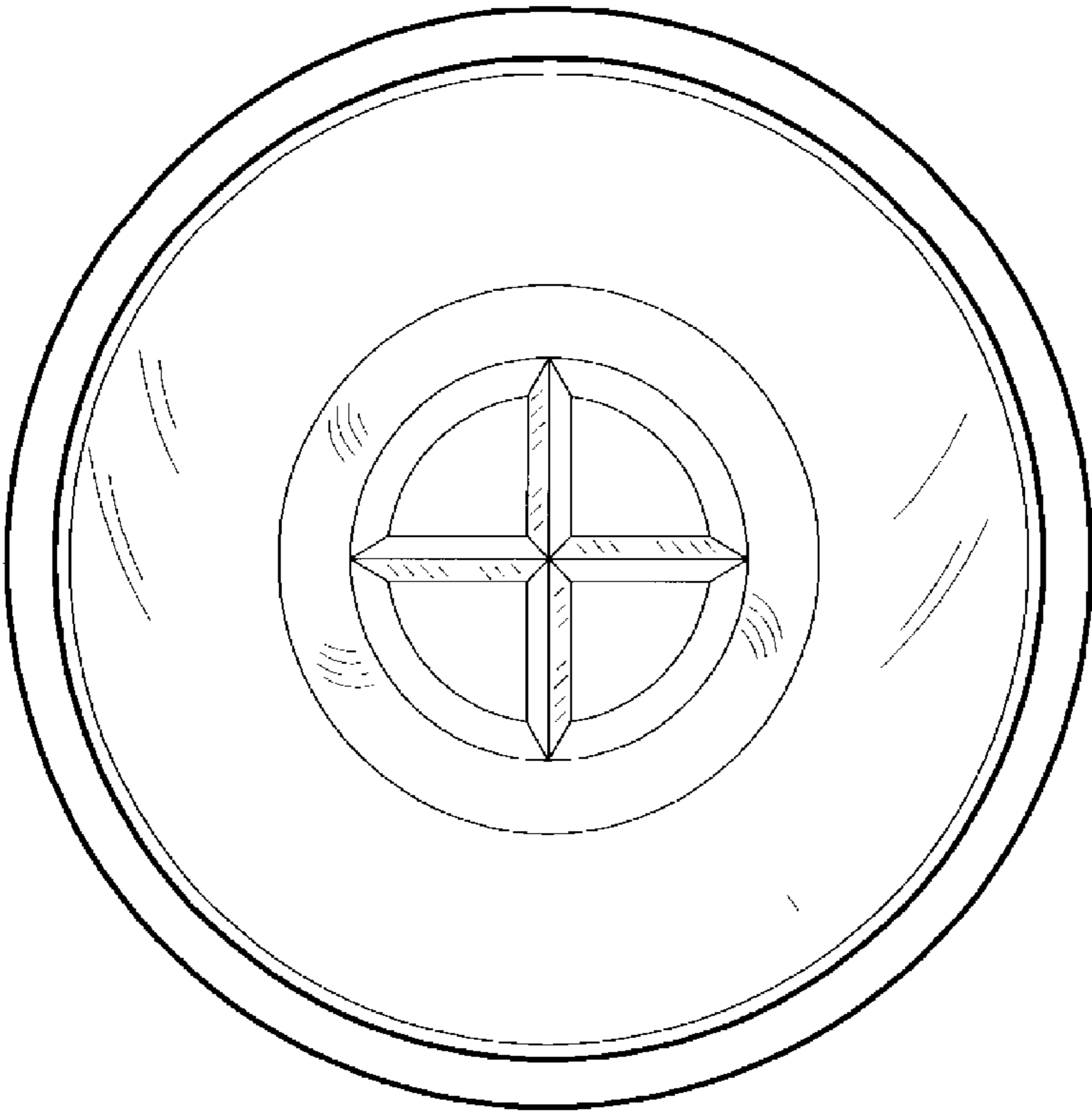


FIG.3

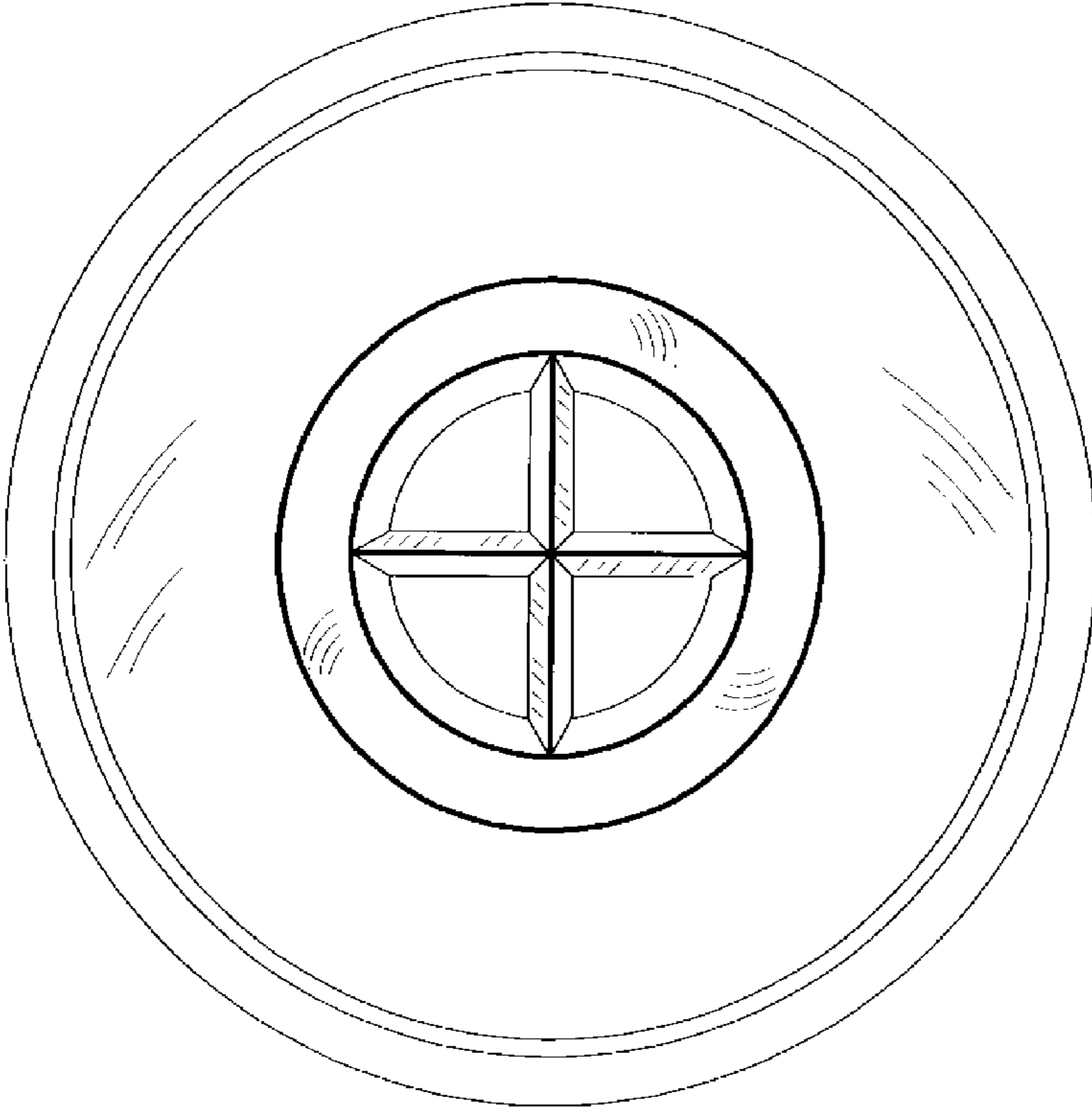


FIG.4