



US00D642454S

(12) **United States Design Patent**  
**Santoiemmo**

(10) **Patent No.:** **US D642,454 S**  
(45) **Date of Patent:** **\*\* Aug. 2, 2011**

- (54) **CUP SHAPED CONTAINER**
- (75) Inventor: **Carl Santoiemmo**, Highland Heights, OH (US)
- (73) Assignee: **Omnifrio Beverage Co., LLC**, Highland Heights, OH (US)
- (\*\*) Term: **14 Years**
- (21) Appl. No.: **29/367,460**
- (22) Filed: **Aug. 9, 2010**
- (51) **LOC (9) Cl.** ..... **09-03**
- (52) **U.S. Cl.** ..... **D9/428**
- (58) **Field of Classification Search** ..... D9/414, D9/418, 424, 425, 428, 429, 500; D7/619, D7/629; 229/400-406, 932, 906.1; 220/656-659, 220/669-675, 912, 4.21-4.27; 206/553, 206/557, 541, 775, 776  
See application file for complete search history.

- D418,055 S \* 12/1999 Veto ..... D9/425
  - 6,269,964 B1 \* 8/2001 Turner, Jr. .... 220/23.86
  - D474,110 S \* 5/2003 Sweeney ..... D9/428
  - 6,688,469 B1 \* 2/2004 Barnes ..... 206/541
  - D568,156 S \* 5/2008 Wilson et al. .... D9/500
  - D572,133 S \* 7/2008 Wilson et al. .... D9/500
  - D577,288 S \* 9/2008 Wilson et al. .... D9/500
  - D606,363 S \* 12/2009 Aardenburg ..... D7/400
  - D628,883 S \* 12/2010 Stephens ..... D9/429
  - 2009/0200313 A1 \* 8/2009 Deutsch ..... 220/573.1
- \* cited by examiner

*Primary Examiner* — Thomas Johannes  
(74) *Attorney, Agent, or Firm* — Alston & Bird LLP

(57) **CLAIM**  
The ornamental design for a cup shaped container, as shown and described.

**DESCRIPTION**

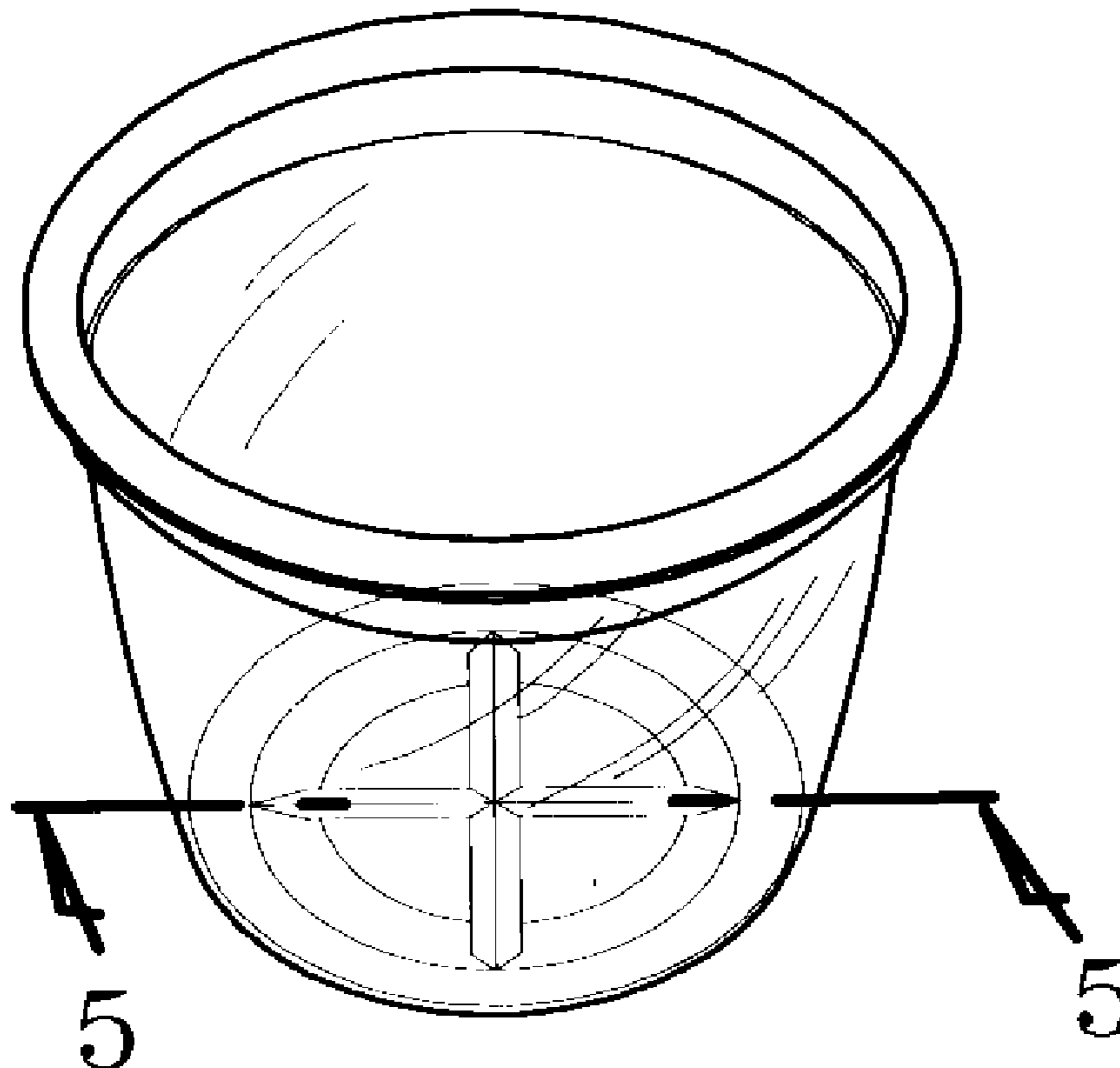
FIG. 1 is a perspective view of a cup shaped container showing my new design;  
FIG. 2 is a right side elevational view thereof, the left side, front side and rear side elevational views being a mirror image thereof;  
FIG. 3 is a top plan view thereof;  
FIG. 4 is a bottom plan view thereof; and,  
FIG. 5 is cross sectional detail view of the bottom portion of the cup shaped container taken in the direction of line 5—5 in FIG. 1.

**1 Claim, 4 Drawing Sheets**

(56) **References Cited**

**U.S. PATENT DOCUMENTS**

- D250,397 S \* 11/1978 Christian ..... D9/778
- D257,931 S \* 1/1981 Conti ..... D7/584
- D265,462 S \* 7/1982 Andrulionis et al. .... D9/429
- 4,577,775 A \* 3/1986 Kresin ..... 220/604
- D351,790 S \* 10/1994 Haindl ..... D9/425



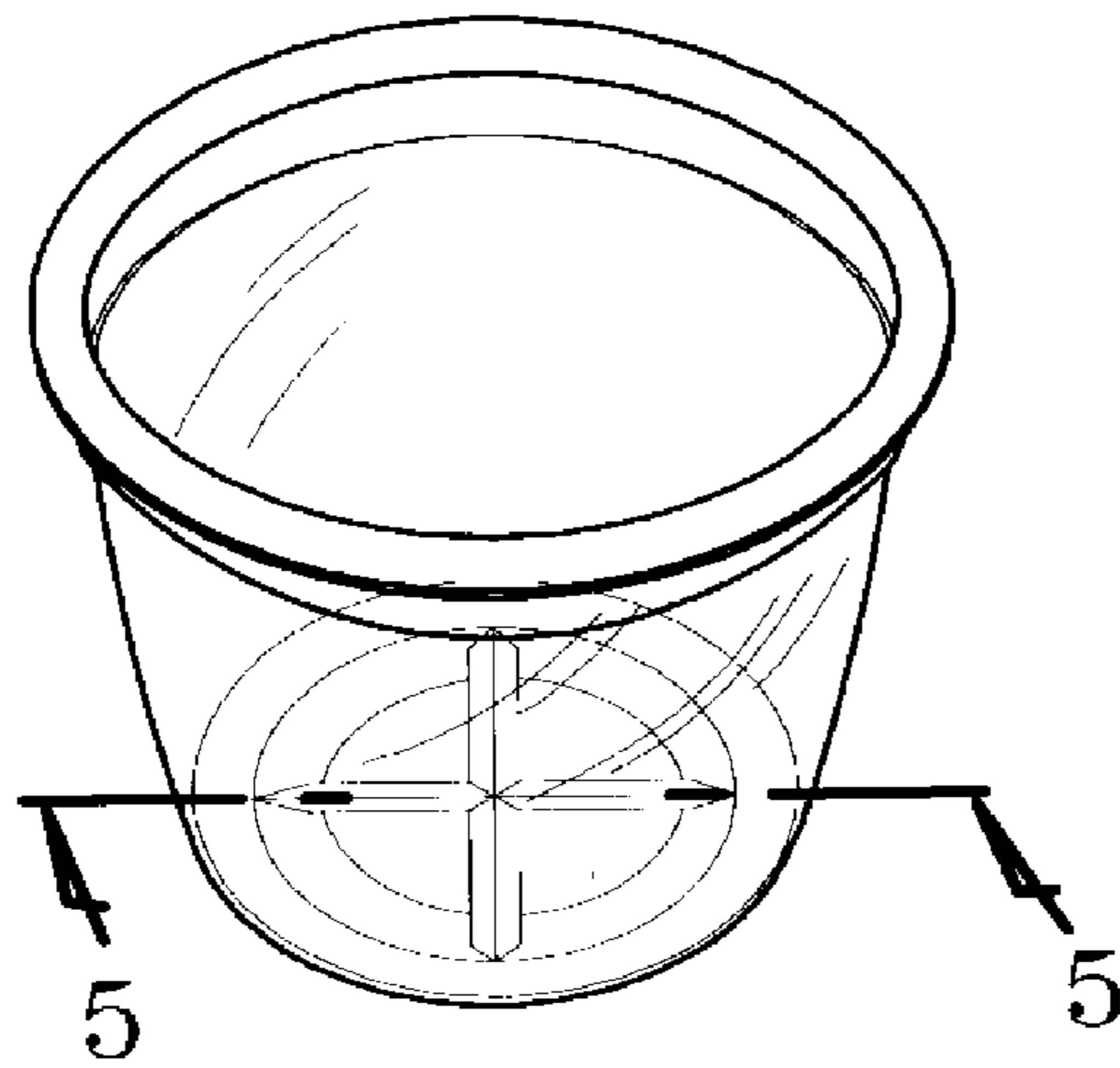


FIG. 1

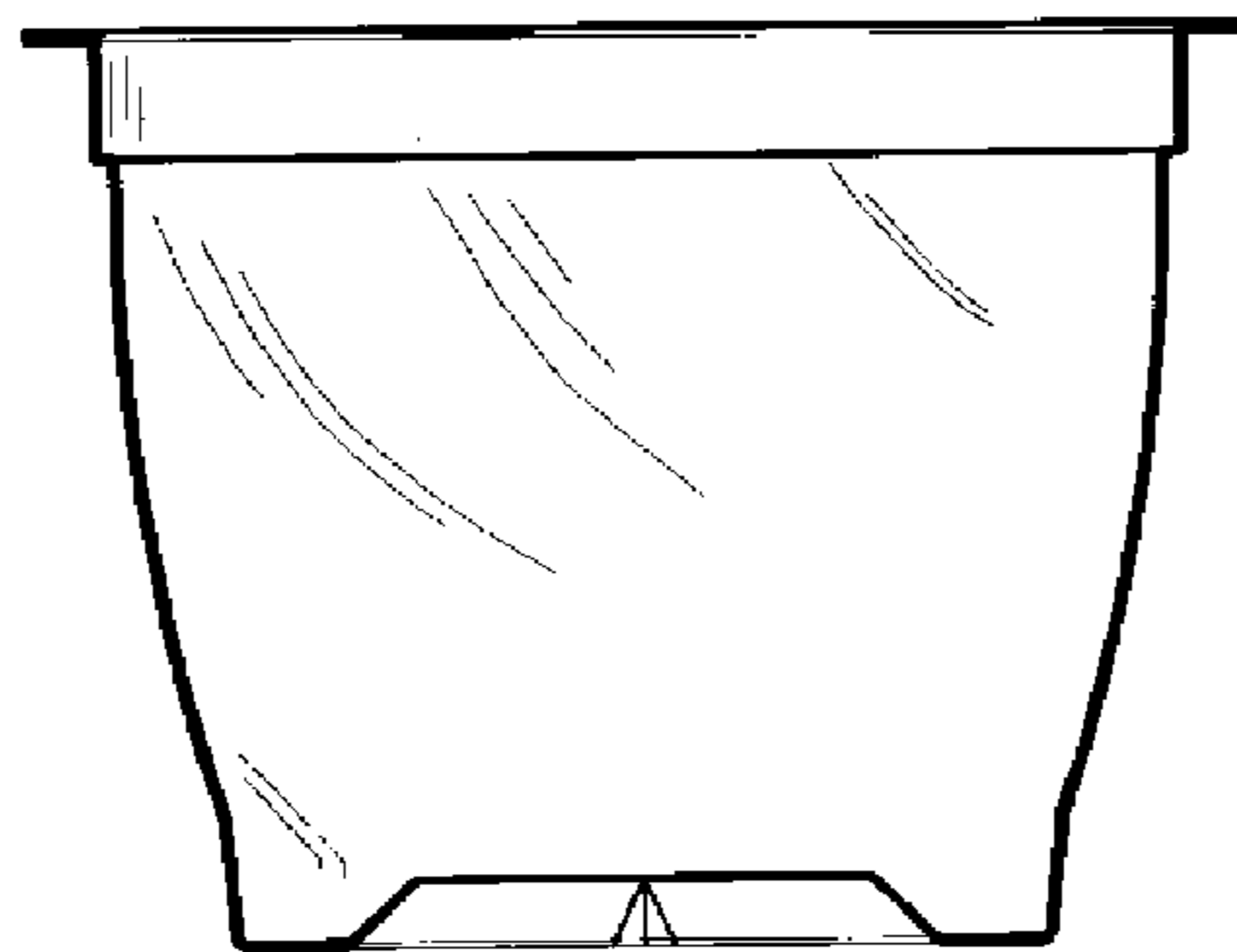


FIG. 5

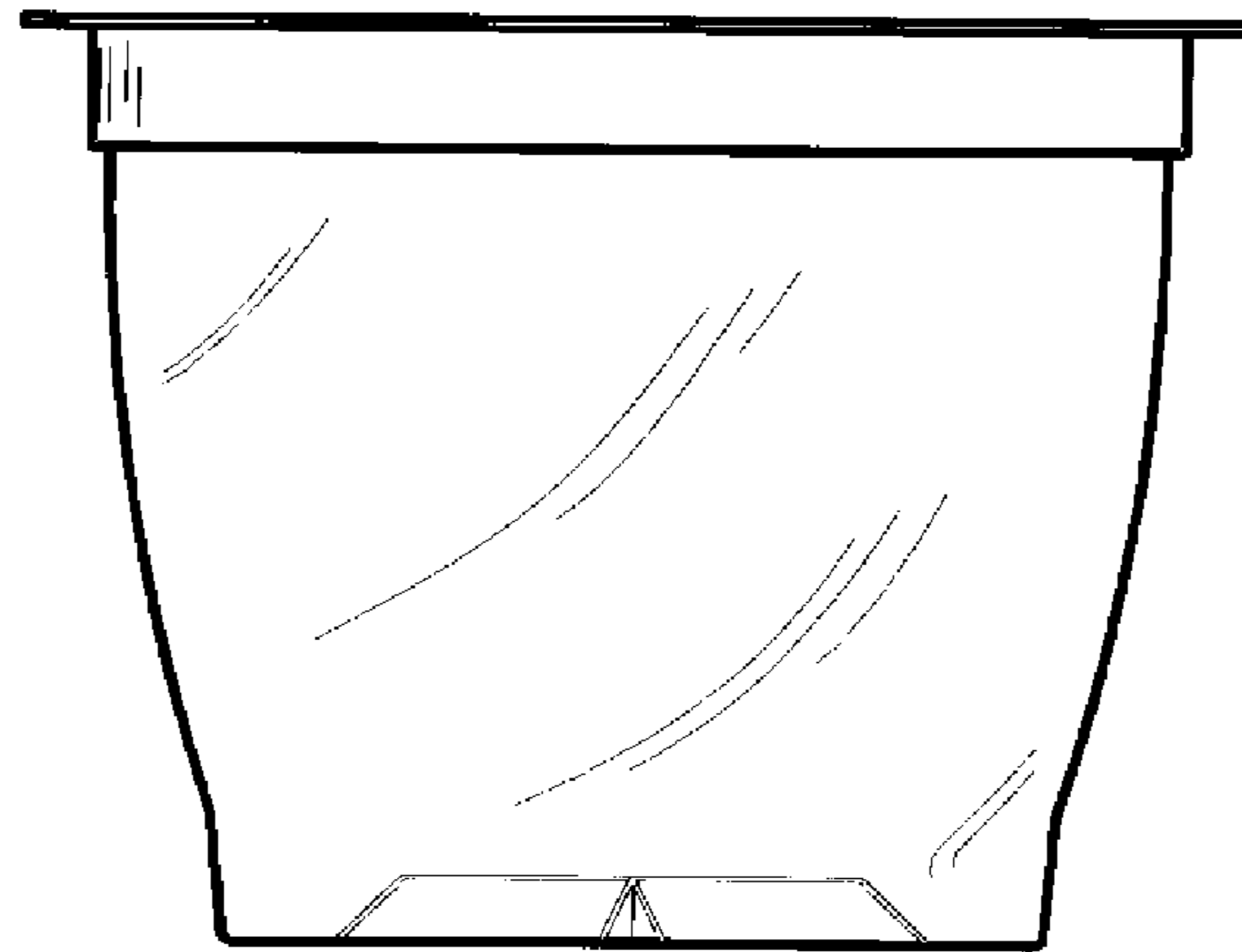


FIG. 2

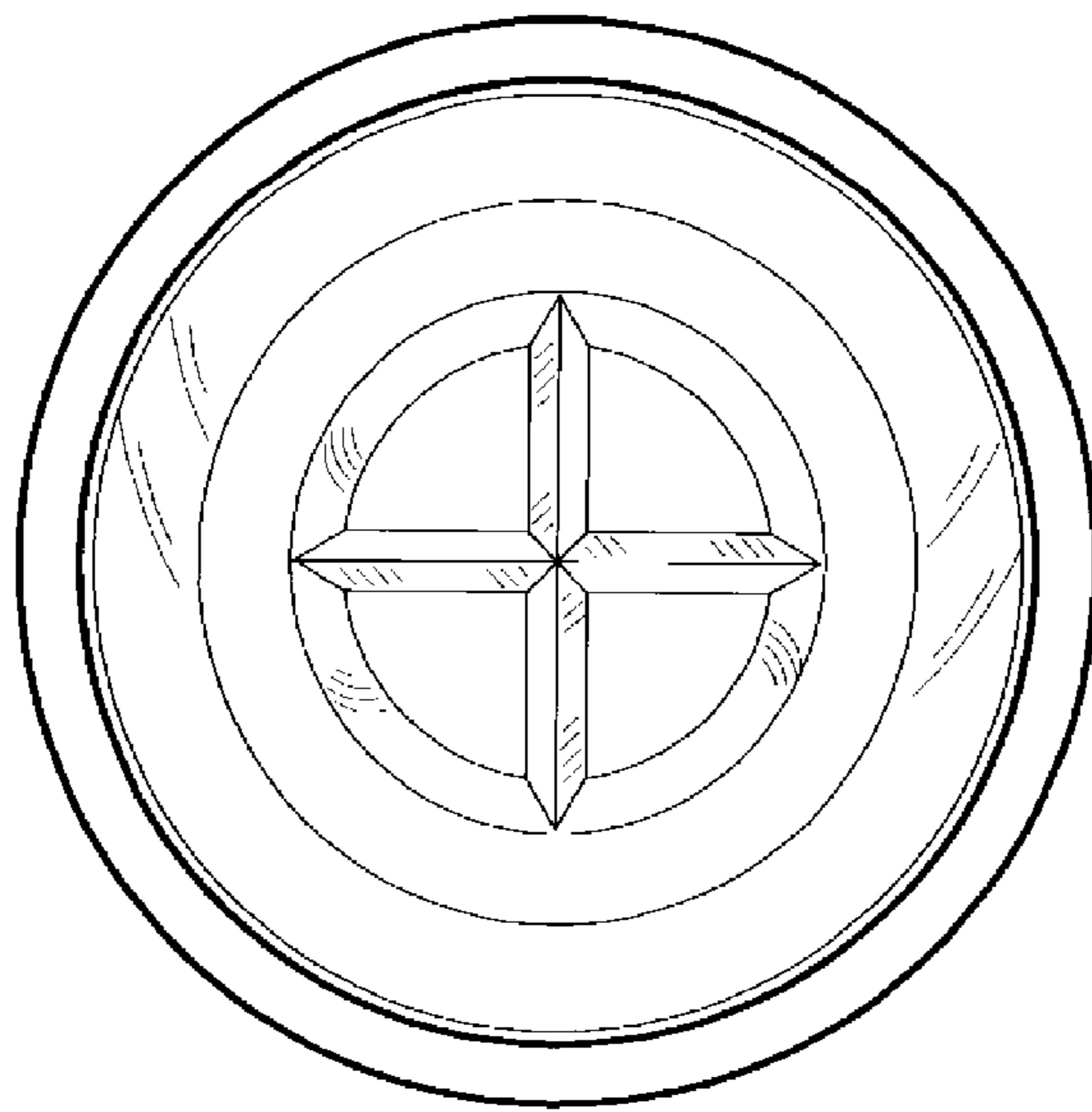


FIG. 3

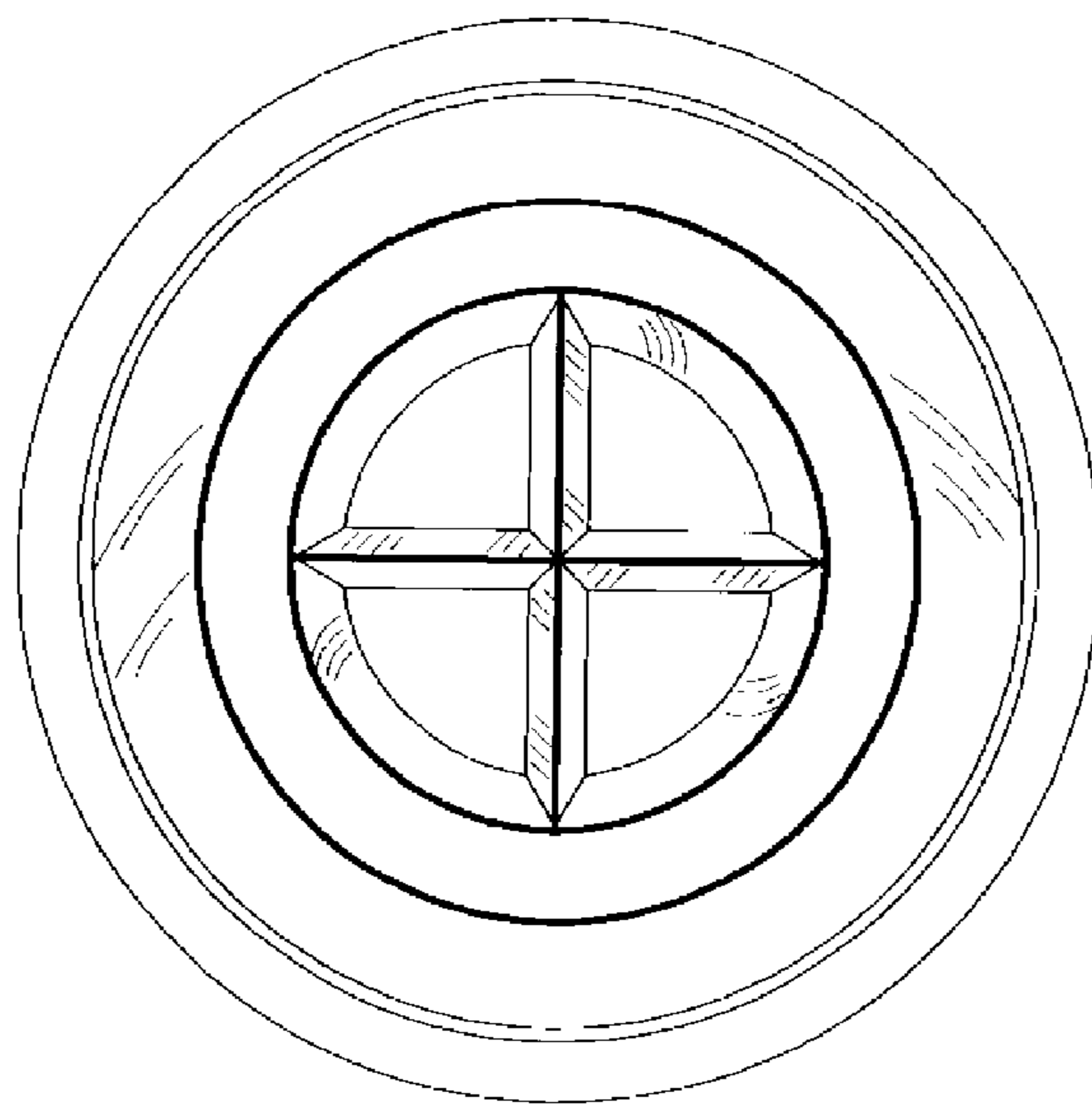


FIG.4

UNITED STATES PATENT AND TRADEMARK OFFICE  
**CERTIFICATE OF CORRECTION**

PATENT NO. : D642,454 S  
APPLICATION NO. : 29/367460  
DATED : August 2, 2011  
INVENTOR(S) : Santoiemmo

Page 1 of 1

It is certified that error appears in the above-identified patent and that said Letters Patent is hereby corrected as shown below:

Title page.

Item (73) Assignee: “**Omnifrio Beverage Co., LLC**, Highland Heights, OH (US)”  
should read --**Primo Products, LLC**, Winston-Salem, NC (US)--.

Signed and Sealed this  
Ninth Day of April, 2013



Teresa Stanek Rea  
*Acting Director of the United States Patent and Trademark Office*