



US00D642451S

(12) **United States Design Patent**  
**Gaudron et al.**

(10) **Patent No.:** **US D642,451 S**

(45) **Date of Patent:** **\*\* Aug. 2, 2011**

(54) **FASTENER MEMBER FOR A WALL ANCHOR SYSTEM**

D590,239 S \* 4/2009 Gaudron ..... D8/367  
D590,242 S \* 4/2009 Carter ..... D8/385  
D593,141 S \* 5/2009 Gaudron ..... D15/139

(75) Inventors: **Paul Gaudron**, Stratford, CT (US); **Alan J. Armiento**, New Rochelle, NY (US)

\* cited by examiner

(73) Assignee: **Powers Fasteners, Inc.**, Brewster, NY (US)

*Primary Examiner* — Holly Baynham

*Assistant Examiner* — Sheryl Lane

(74) *Attorney, Agent, or Firm* — Cantor Colburn LLP

(\*\*) Term: **14 Years**

(57) **CLAIM**

We claim, the ornamental design for a fastener member for a wall anchor system, as shown and described.

(21) Appl. No.: **29/354,818**

(22) Filed: **Jan. 29, 2010**

**DESCRIPTION**

(51) **LOC (9) Cl.** ..... **08-08**

(52) **U.S. Cl.** ..... **D8/385**

(58) **Field of Classification Search** ..... D8/382,  
D8/384–386

See application file for complete search history.

FIG. 1 is a front perspective view of a fastener member for the wall anchor system in accordance with another aspect of the exemplary embodiment;

FIG. 2 is a side plan view of the fastener member of FIG. 1, with the opposite side being a mirror image thereof;

FIG. 3 is a top plan view of the fastener member of FIG. 1;

FIG. 4 is a bottom plan view of the fastener member of FIG. 1;

FIG. 5 is a front plan view of the fastener member of FIG. 1; and,

FIG. 6 is a rear plan view of the fastener member of FIG. 1.

The broken line showing of the threaded element is included for the purpose of illustrating environment and forms no part of the claimed design.

(56) **References Cited**

U.S. PATENT DOCUMENTS

D11,809	S	*	6/1880	Christensen	.....	D8/367
3,283,383	A	*	11/1966	Heath	.....	24/457
D240,599	S	*	7/1976	Solo	.....	D8/385
D284,267	S	*	6/1986	Lindell	.....	D8/385
D416,189	S	*	11/1999	Bollman	.....	D8/382
D451,789	S	*	12/2001	Hsieh	.....	D8/382
D495,589	S	*	9/2004	Goodman et al.	.....	D8/367
D548,574	S	*	8/2007	Harwanko	.....	D8/367

**1 Claim, 2 Drawing Sheets**

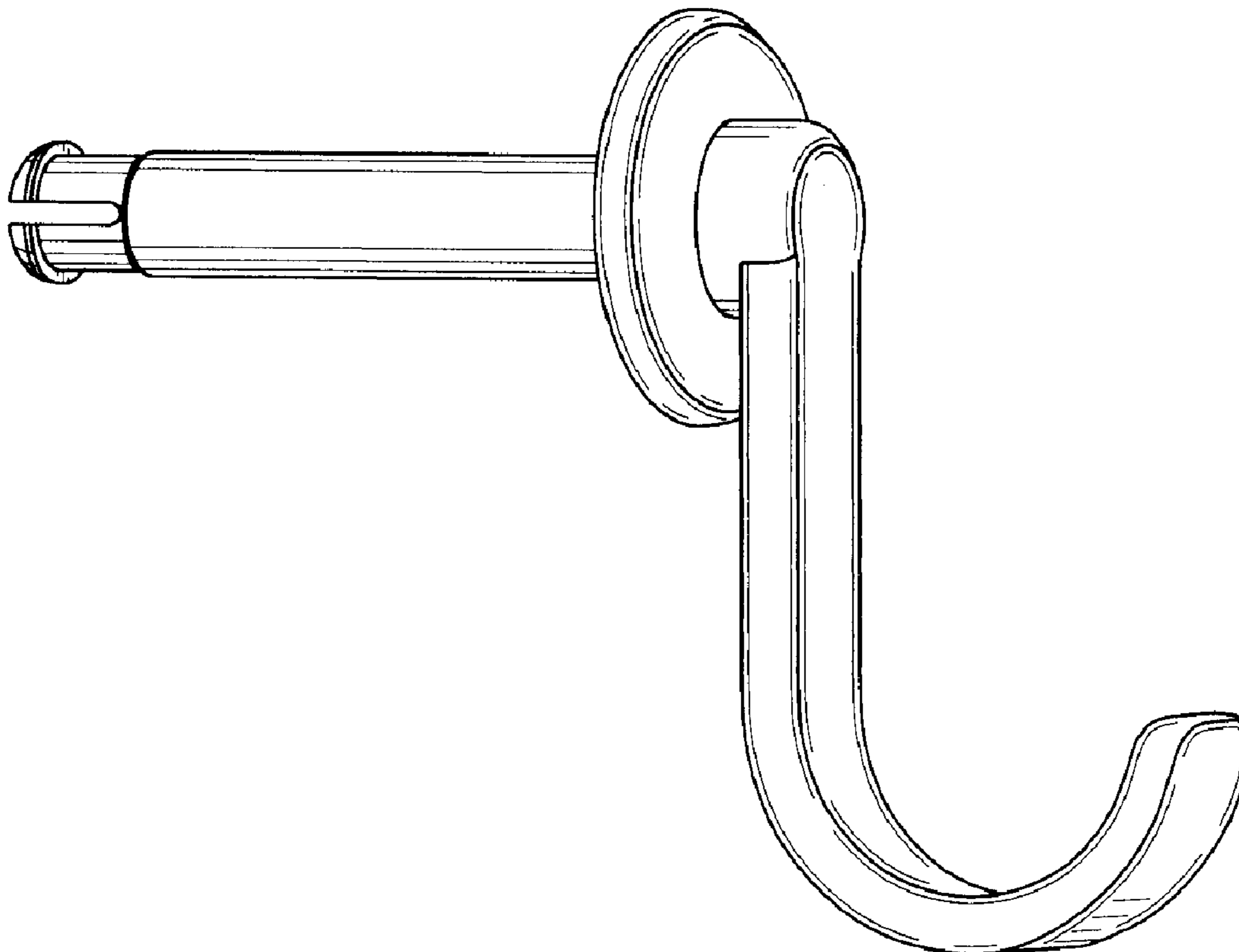


FIG. 1

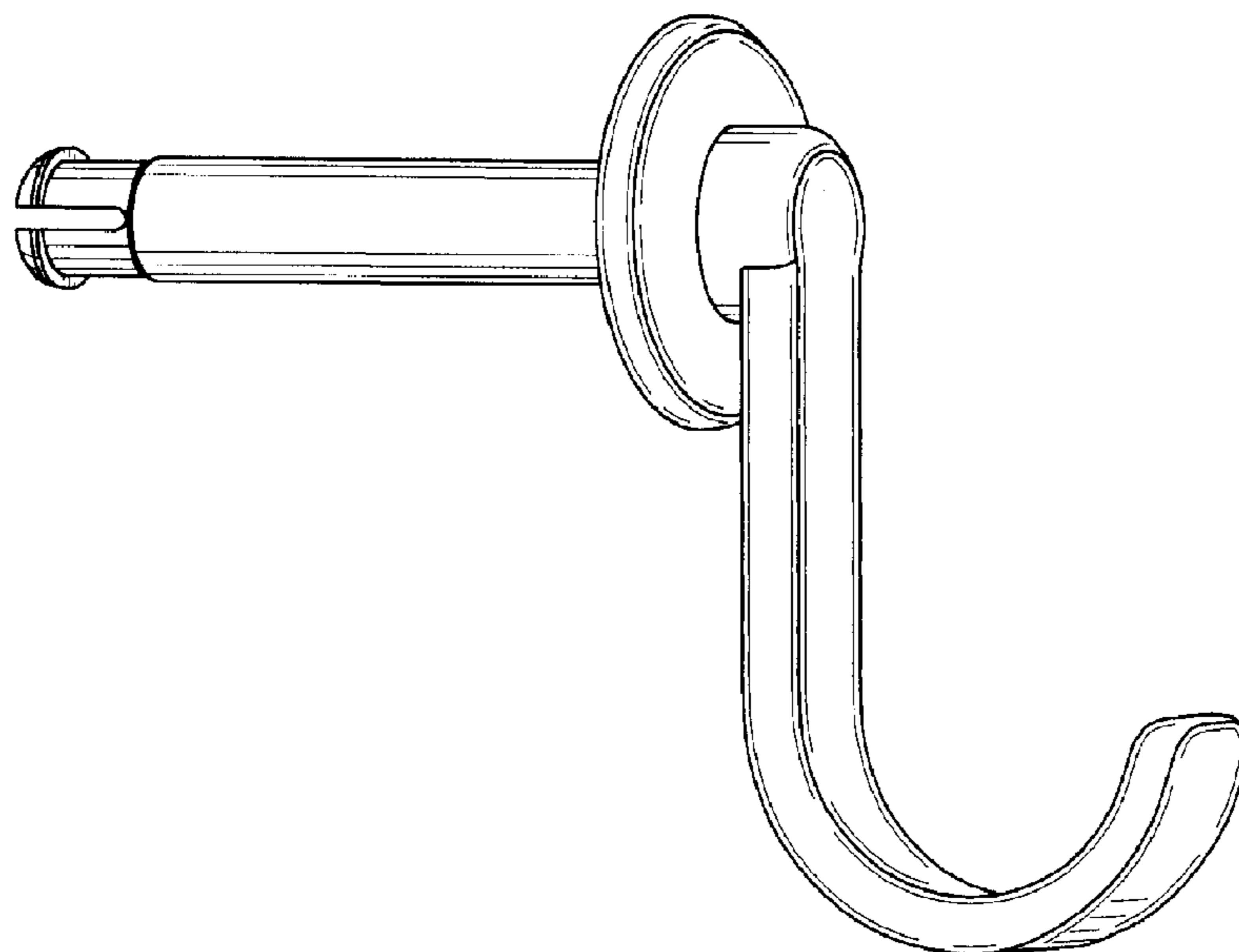


FIG. 2

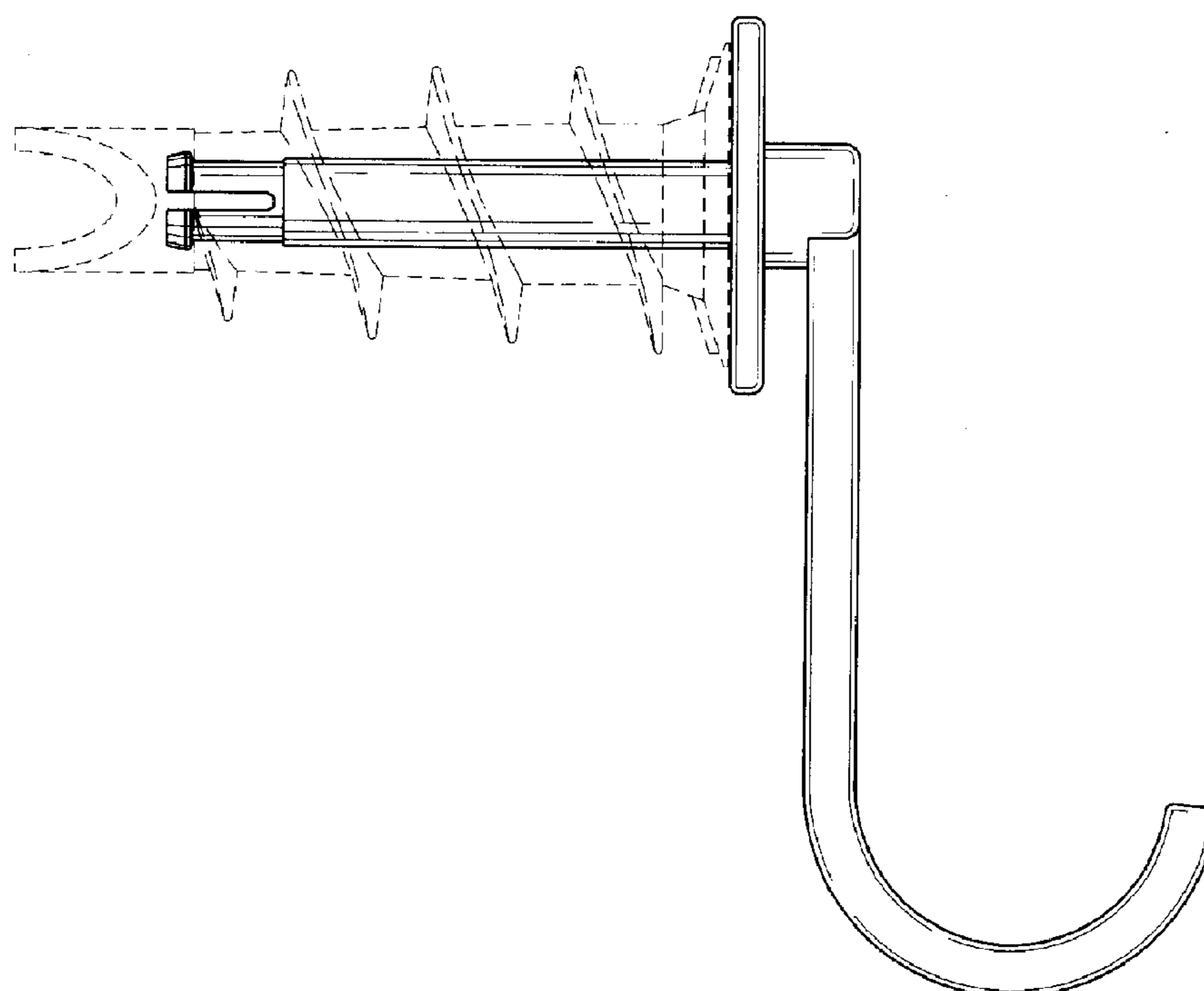


FIG. 3

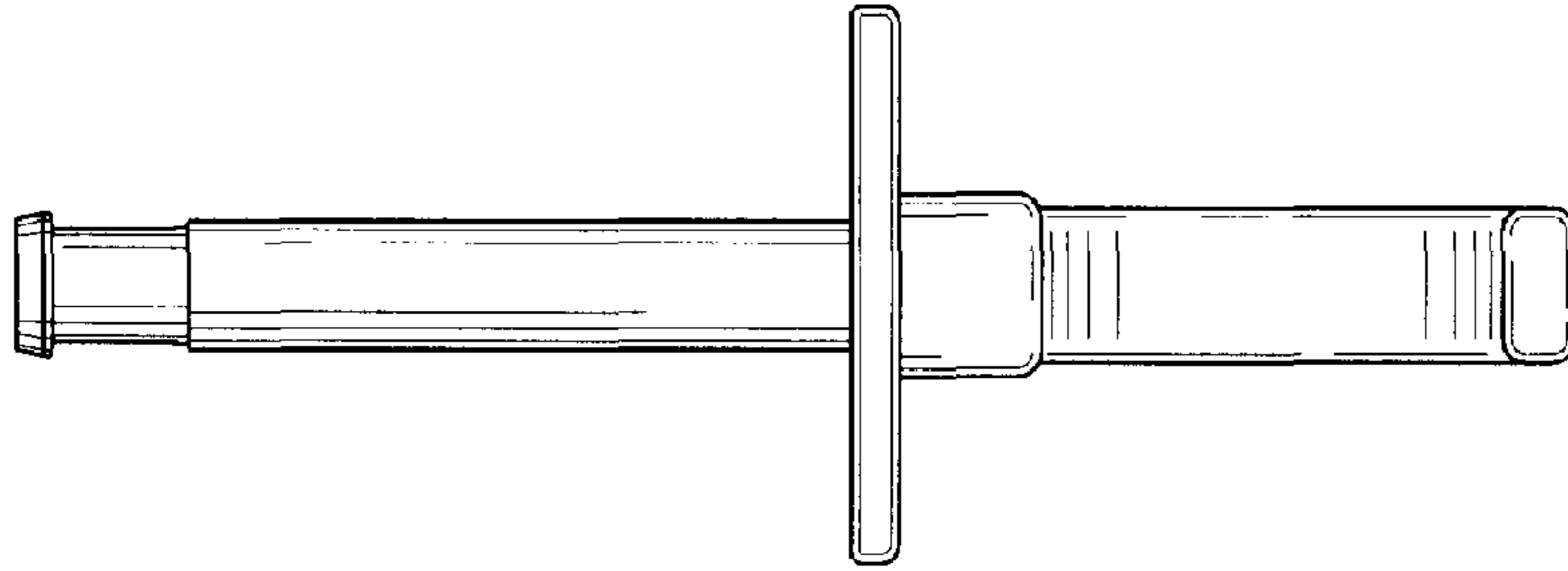


FIG. 4

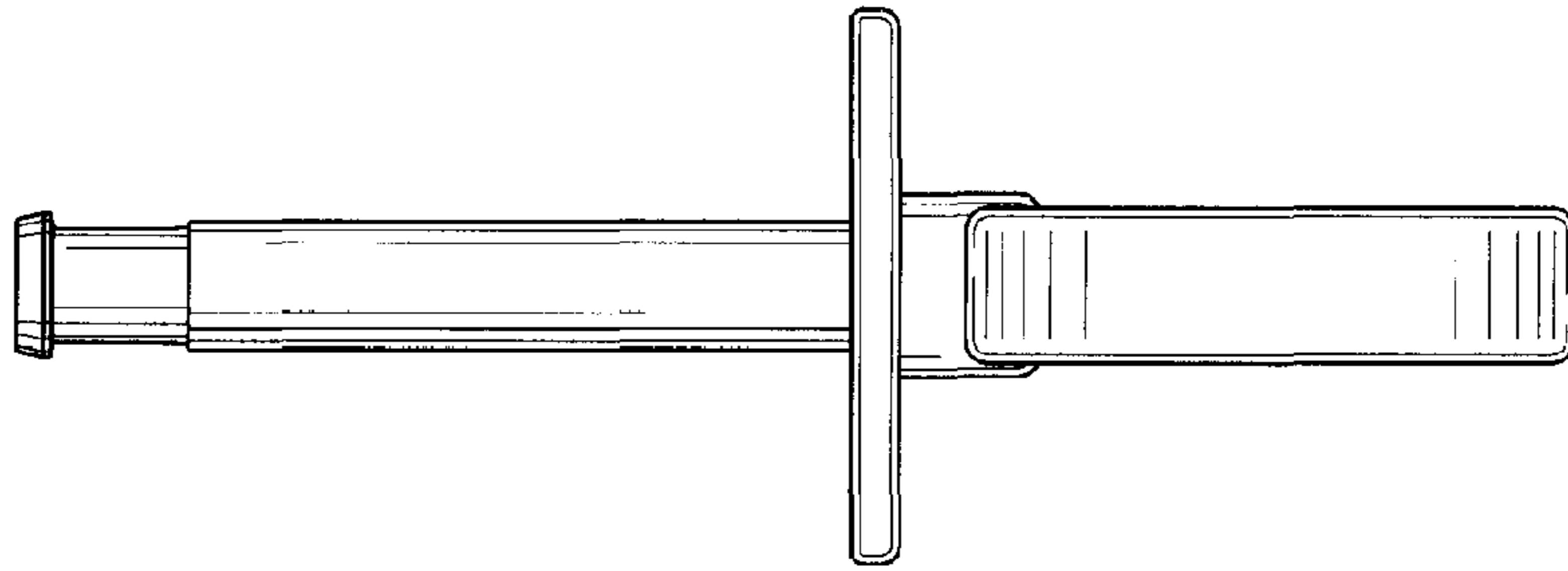


FIG. 5

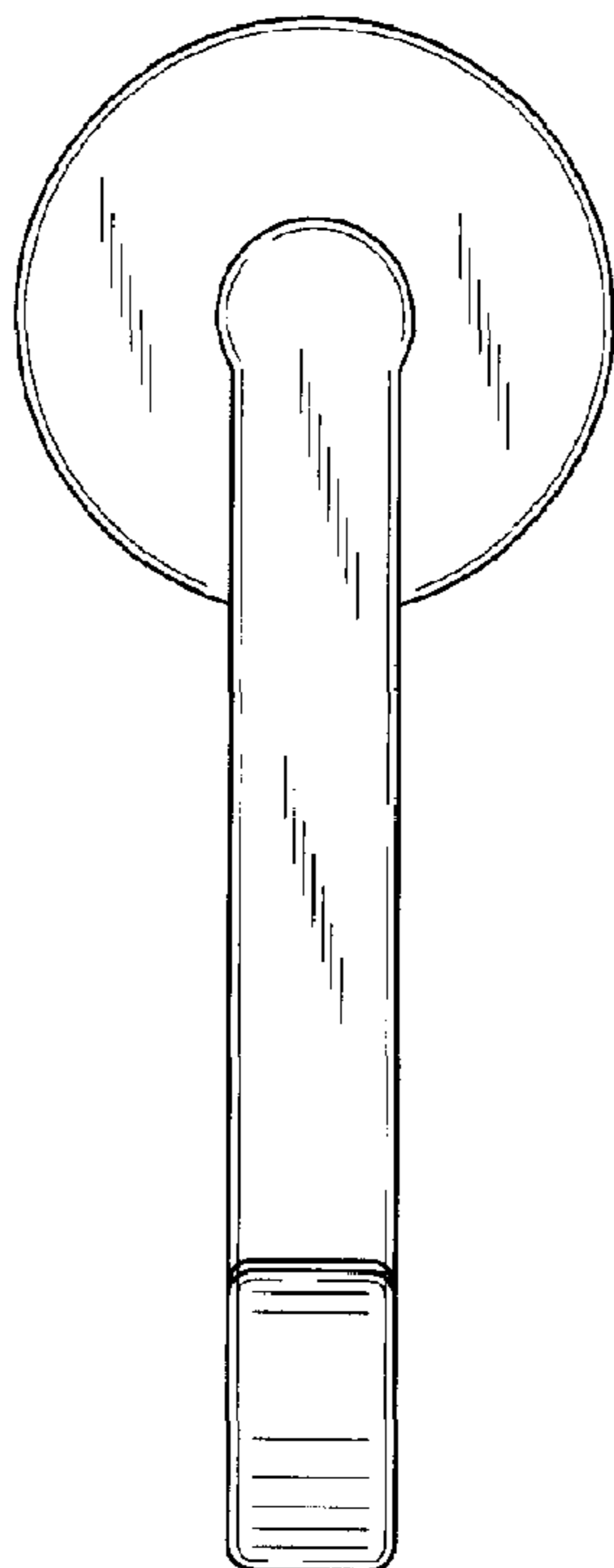


FIG. 6

