

US00D642444S

(12) **United States Design Patent**
Kommer

(10) **Patent No.:** **US D642,444 S**

(45) **Date of Patent:** **** Aug. 2, 2011**

(54) **SEAT BELT CUTTER**

(75) Inventor: **Russ Kommer**, Fargo, ND (US)

(73) Assignee: **GB II Corporation**, Tualatin, OR (US)

(**) Term: **14 Years**

(21) Appl. No.: **29/358,565**

(22) Filed: **Mar. 29, 2010**

(51) **LOC (9) Cl.** **08-03**

(52) **U.S. Cl.** **D8/105**; D8/98

(58) **Field of Classification Search** D8/81,
D8/98, 99, 102, 105, 107; 30/151, 294-295,
30/329, 335-336; 7/158; 606/167

See application file for complete search history.

(56) **References Cited**

U.S. PATENT DOCUMENTS

4,009,905	A	3/1977	Bejeannin	
4,062,117	A	12/1977	Coleman	
4,134,206	A	1/1979	Beermann	
D290,334	S *	6/1987	Reynolds, Jr.	D8/105
4,680,861	A	7/1987	Meurer	
D320,150	S *	9/1991	Huang	D8/98
5,085,449	A *	2/1992	Hudson	280/801.1
D365,163	S *	12/1995	Brogliato	D26/38
5,588,212	A	12/1996	Riihimäki	
5,590,471	A *	1/1997	Wiezenhal	30/294
5,630,242	A	5/1997	Oginaezawa	
5,653,031	A	8/1997	Richter	
D385,771	S *	11/1997	Chiang	D8/105
D403,452	S *	12/1998	Kim	D26/38
D413,781	S *	9/1999	Wong	D8/81
5,952,916	A *	9/1999	Yamabe	340/468
D417,130	S *	11/1999	Hollinger	D8/81
D420,269	S *	2/2000	Ben-Moshe	D8/81
D459,190	S *	6/2002	Chen	D8/105
D470,030	S *	2/2003	Swier	D8/98
D472,444	S *	4/2003	Gesheit	D8/81
D476,874	S *	7/2003	Kim	D8/81
6,766,933	B1 *	7/2004	Wang	225/93

D498,401	S *	11/2004	Lin et al.	D8/81
D499,003	S *	11/2004	Chiang	D8/81
7,028,874	B2 *	4/2006	Lin	225/93
D520,840	S *	5/2006	Bhavnani	D8/81
7,051,391	B2	5/2006	Wang	
7,188,969	B2 *	3/2007	Uke et al.	362/208
D571,180	S *	6/2008	Marshall	D8/98
D575,613	S *	8/2008	Jennings	D8/98
D577,562	S *	9/2008	Lin et al.	D8/105
D595,105	S *	6/2009	White	D8/105
2004/0050608	A1	3/2004	MacDougall	
2005/0193564	A1	9/2005	Trbovich, Jr.	
2007/0044322	A1	3/2007	Trbovich, Jr.	
2009/0173198	A1	7/2009	Chiappa	

* cited by examiner

Primary Examiner — Phillip S Hyder

Assistant Examiner — Roselynn Cody

(74) *Attorney, Agent, or Firm* — Klarquist Sparkman, LLP

(57) **CLAIM**

I claim the ornamental design for a seat belt cutter, as shown and described.

DESCRIPTION

FIG. 1 is a perspective view of a seat belt cutter, as viewed from the front, bottom and one side thereof.

FIG. 2 is another perspective view of the seat belt cutter of FIG. 1, as viewed from the rear, top, and one side thereof.

FIG. 3 is a right side elevation view of the seat belt cutter of FIG. 1.

FIG. 4 is a rear elevation view of the seat belt cutter of FIG. 1.

FIG. 5 is a bottom plan view of the seat belt cutter of FIG. 1.

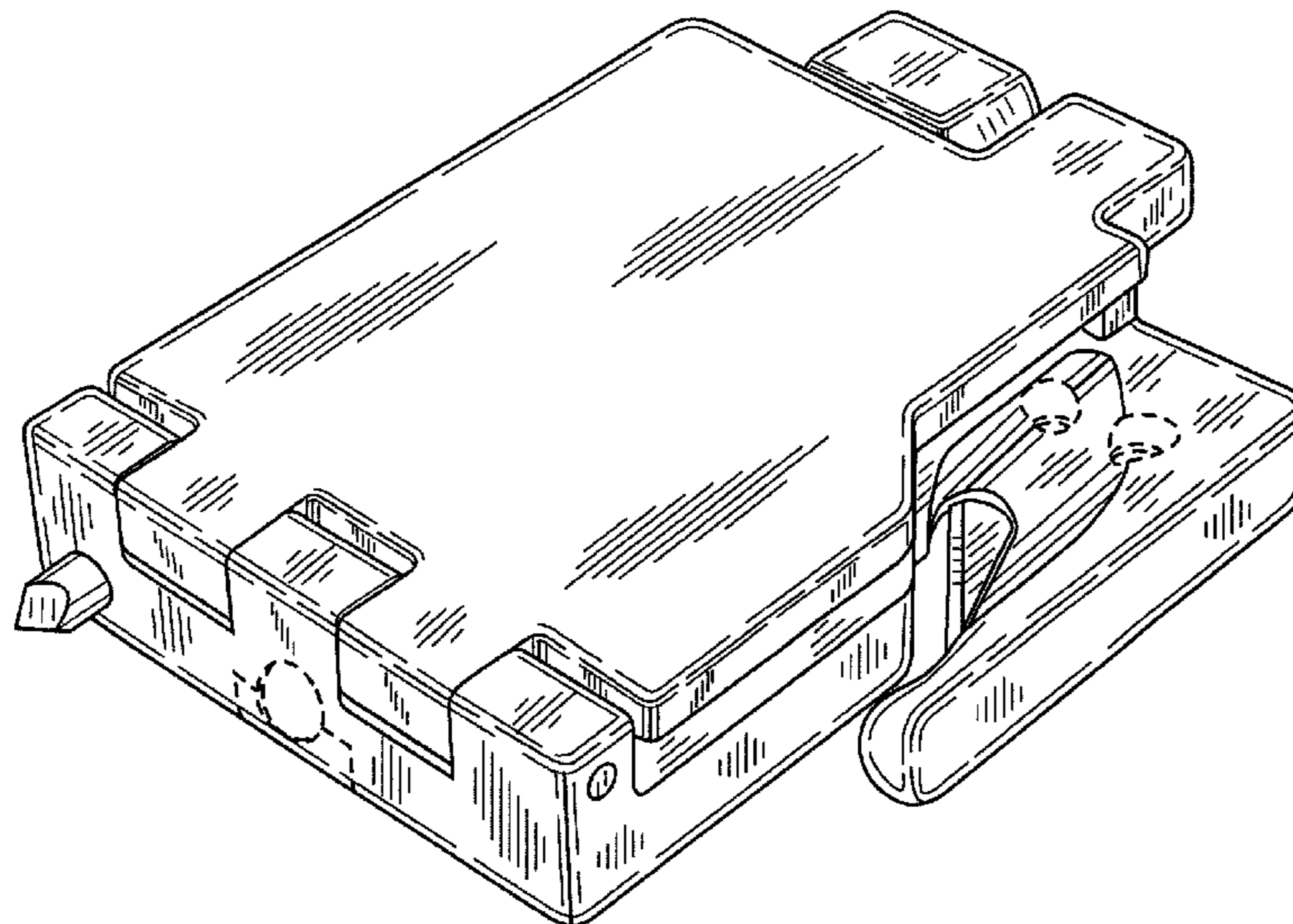
FIG. 6 is a front elevation view of the seat belt cutter of FIG. 1.

FIG. 7 is a left side elevation view of the seat belt cutter of FIG. 1; and,

FIG. 8 is a top plan view of the seat belt cutter of FIG. 1.

The broken lines in the drawings are for illustrative purposes only and form no part of the claimed design.

1 Claim, 2 Drawing Sheets



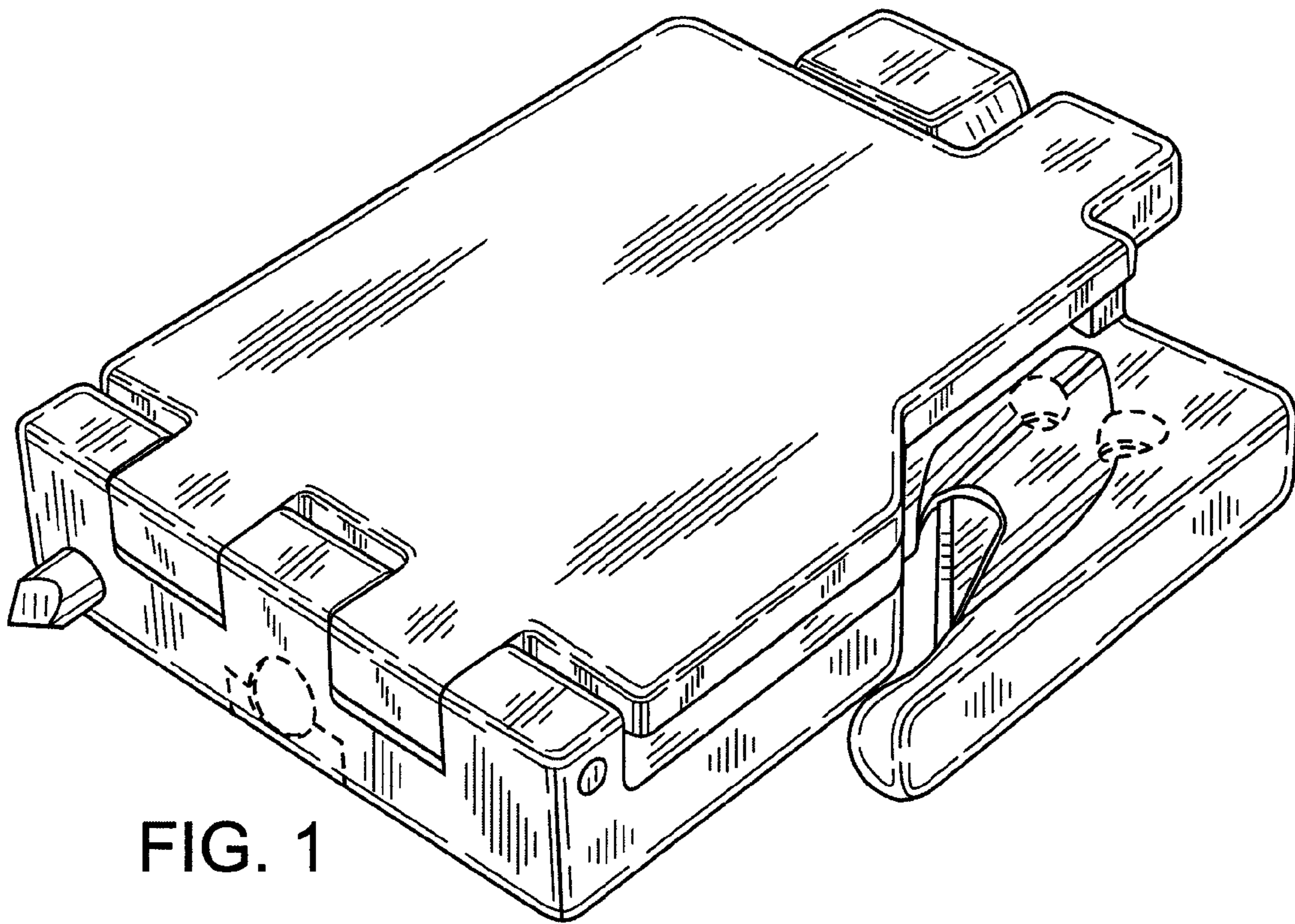


FIG. 1

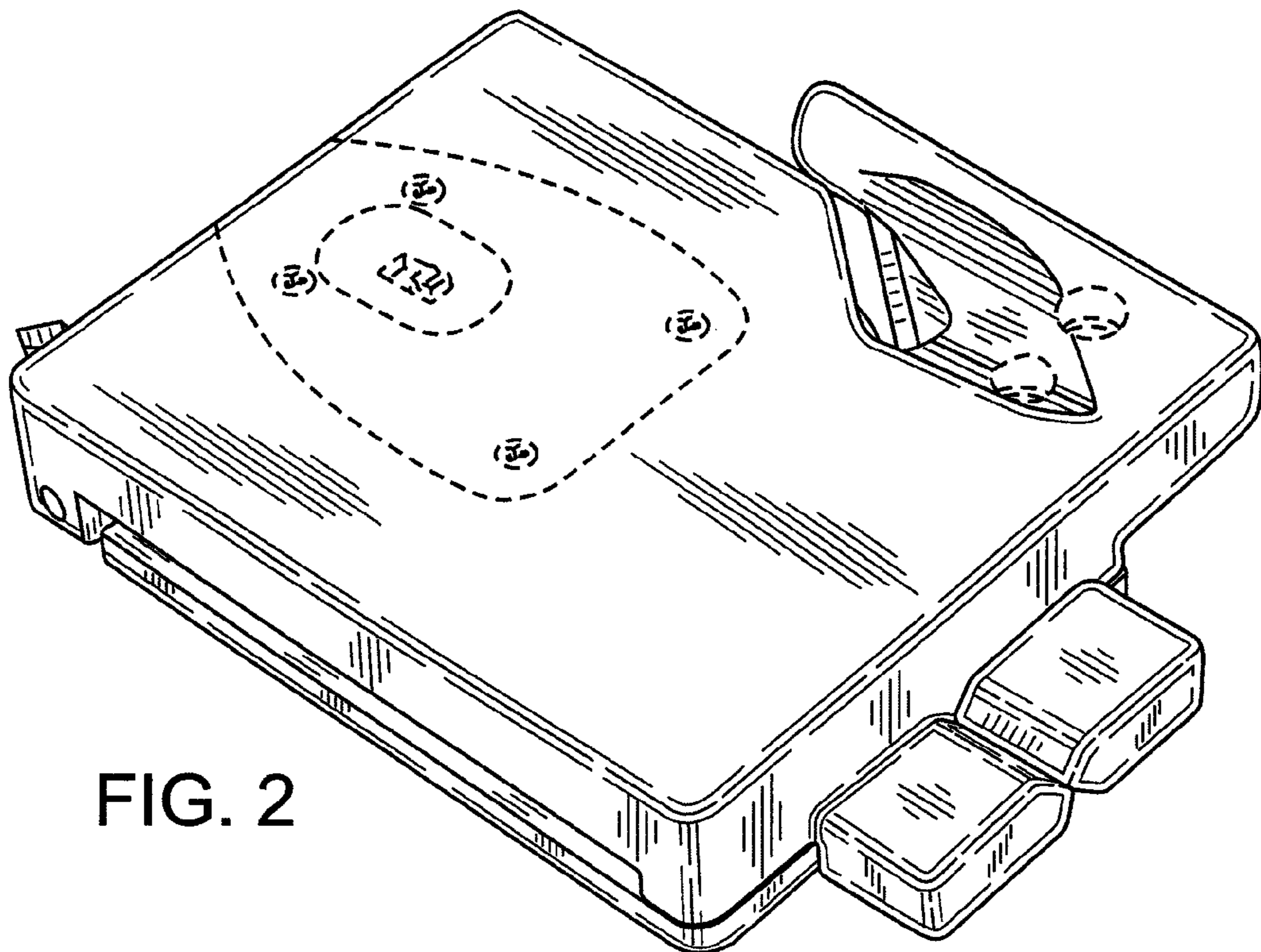


FIG. 2

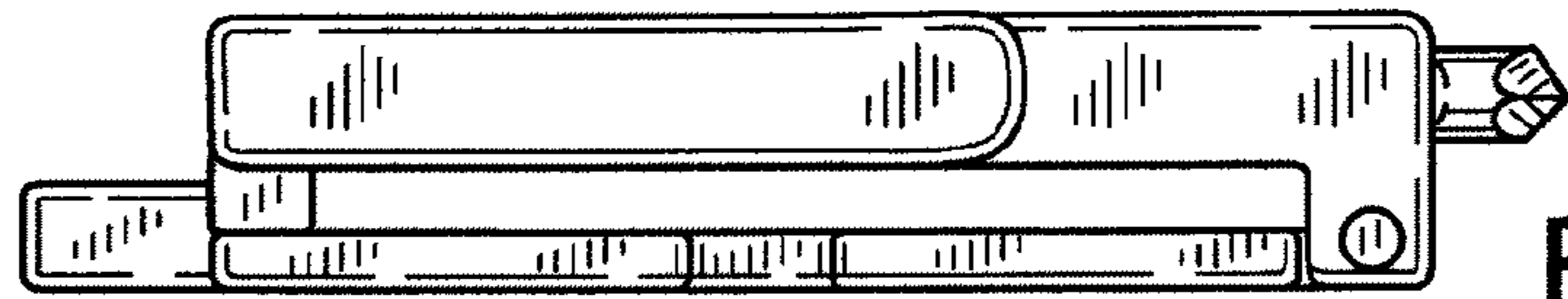


FIG. 3

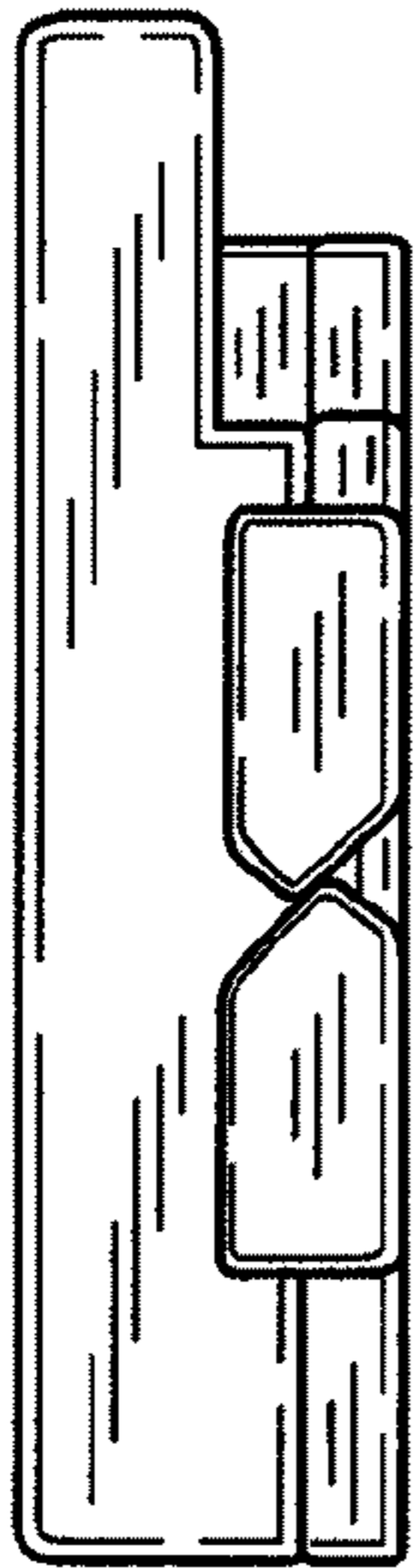


FIG. 4

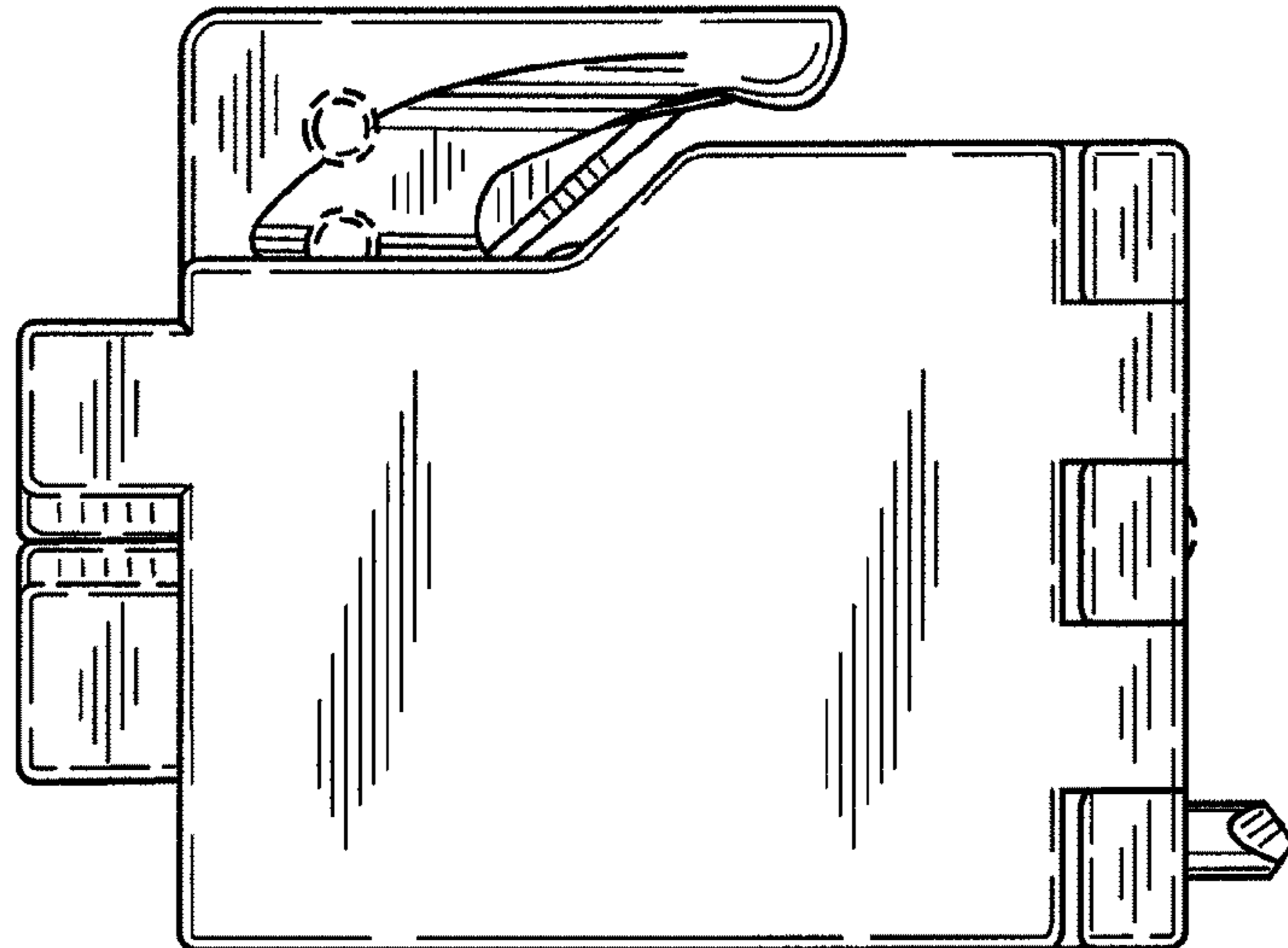


FIG. 5

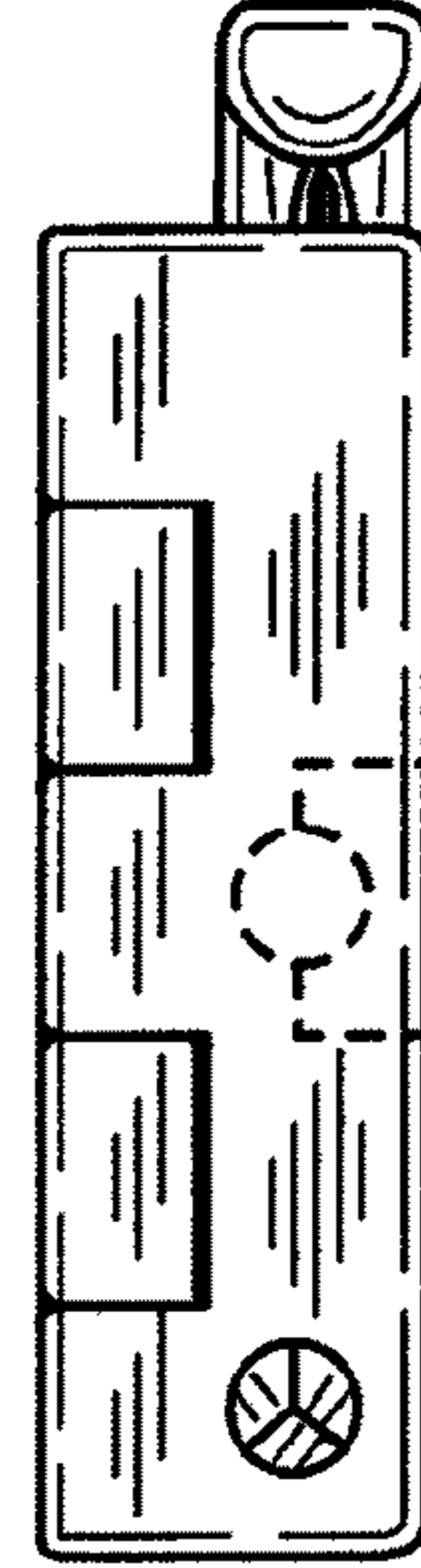


FIG. 6

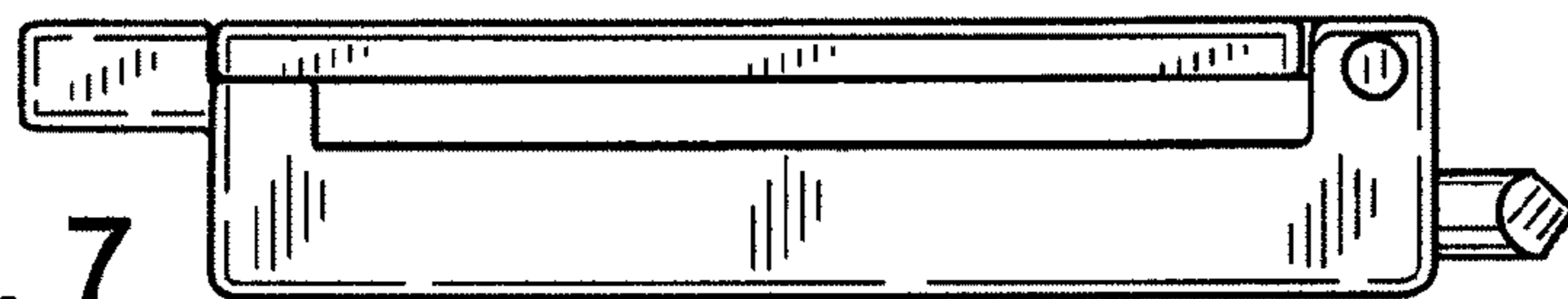


FIG. 7

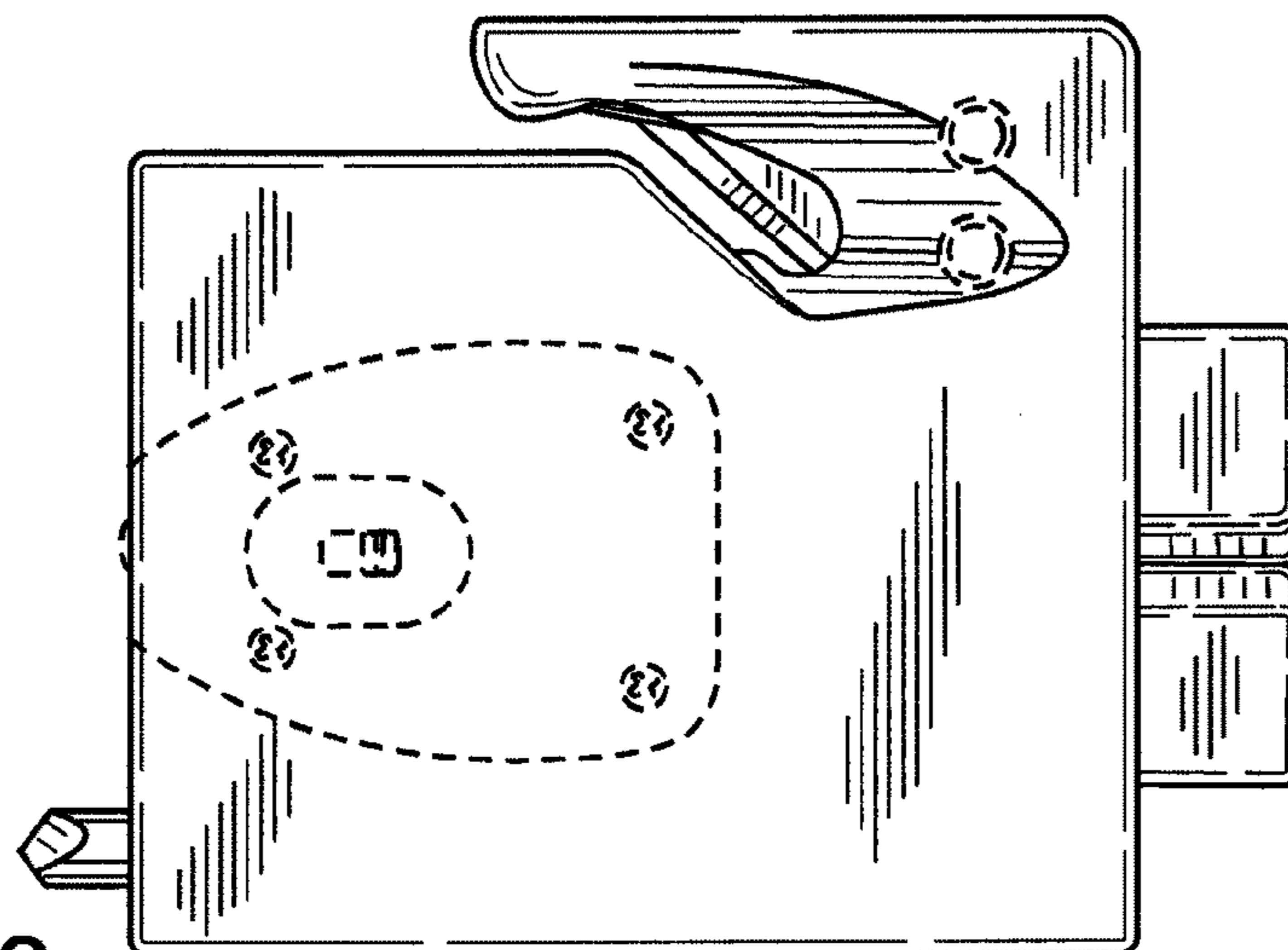


FIG. 8