



US00D642441S

(12) **United States Design Patent**
Danias-Borkin

(10) **Patent No.:** **US D642,441 S**

(45) **Date of Patent:** **** Aug. 2, 2011**

(54) **MULTI-PURPOSE WAITER'S TOOL**

(75) Inventor: **Nicholas Danias-Borkin**, Santa Monica, CA (US)

(73) Assignee: **Waterade Corporation**, Santa Monica, CA (US)

(**) Term: **14 Years**

(21) Appl. No.: **29/368,379**

(22) Filed: **Aug. 23, 2010**

Related U.S. Application Data

(63) Continuation-in-part of application No. 29/344,361, filed on Sep. 28, 2009.

(51) **LOC (9) Cl.** **07-99**

(52) **U.S. Cl.** **D8/33; D8/34; D8/42**

(58) **Field of Classification Search** D8/14,
D8/16-20, 33-43, 88, 89, 105; 7/113, 151-156;
30/400-410, 416-430, 433, 434, 443, 450;
81/3.07, 3.09, 3.2, 3.27, 3.29, 3.31, 3.35,
81/3.37, 3.4, 3.45, 3.48, 3.49, 3.55
See application file for complete search history.

(56) **References Cited**

U.S. PATENT DOCUMENTS

D317,392 S *	6/1991	Mihic	D8/41
D389,030 S *	1/1998	Wensley	D8/105
D416,773 S *	11/1999	Cellini	D8/42
D460,211 S *	7/2002	Park	D27/143
D528,245 S *	9/2006	Smith	D8/34
D586,953 S *	2/2009	Riggio	D8/34
D605,911 S *	12/2009	Lian et al.	D8/14

* cited by examiner

Primary Examiner — Garth Rademaker

(74) *Attorney, Agent, or Firm* — Cisló & Thomas, LLP

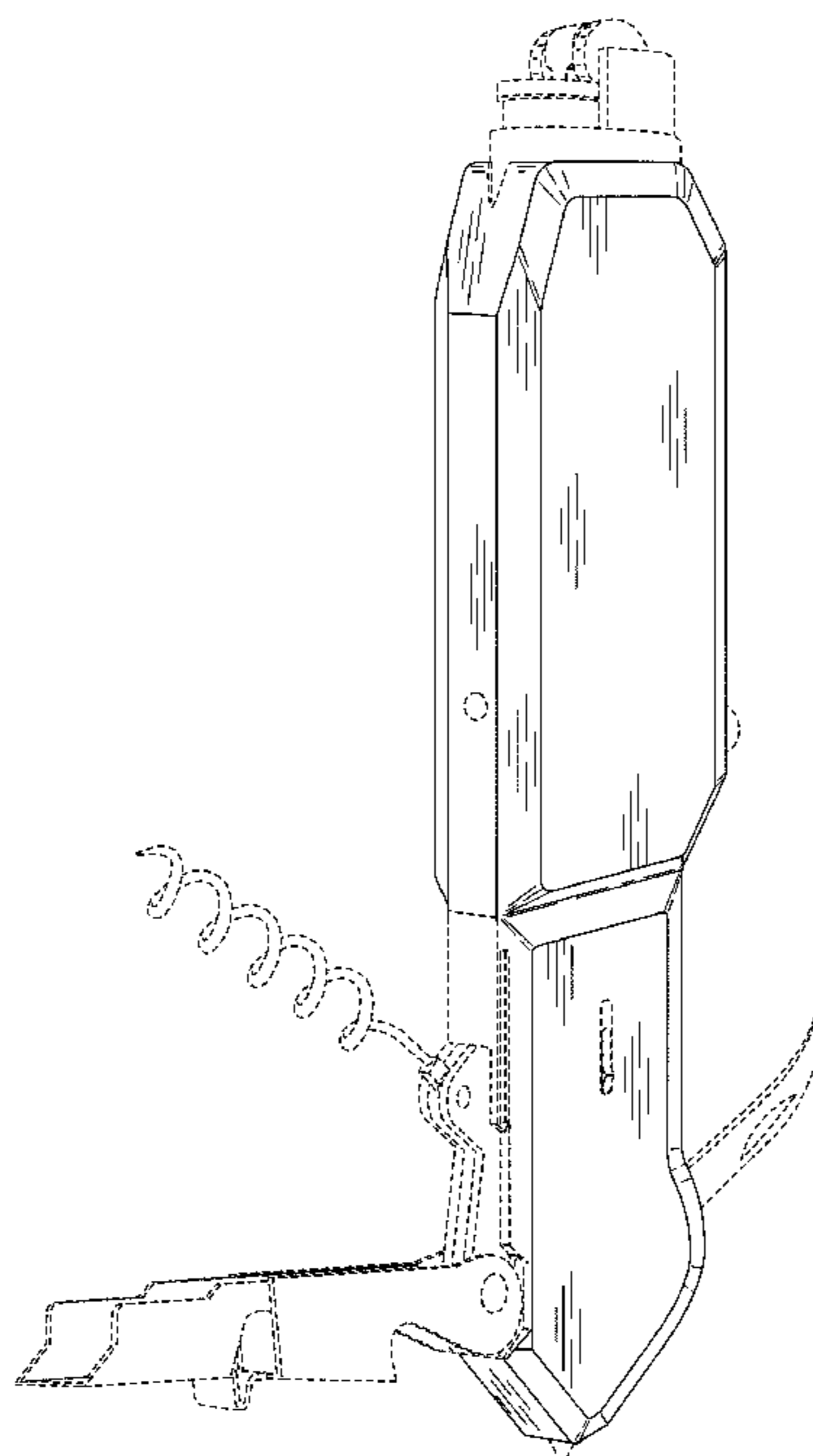
(57) **CLAIM**

The ornamental design for a multi-purpose waiter's tool, as shown and described.

DESCRIPTION

FIG. 1 is a perspective view of a multi-purpose waiter's tool; FIG. 2 is a perspective view thereof, with the unclaimed accessories removed; FIG. 3 is a right side elevation view thereof; FIG. 4 is a right side elevation view thereof, with the unclaimed accessories removed; FIG. 5 is a left side elevation view thereof; FIG. 6 is a left side elevation view thereof, with the unclaimed accessories removed; FIG. 7 is a rear elevation view thereof; FIG. 8 is a rear elevation view thereof, with the unclaimed accessories removed; FIG. 9 is a front elevation view thereof; FIG. 10 is a top plan view thereof; FIG. 11 is a top plan view thereof, with the unclaimed accessories removed; FIG. 12 is a bottom plan view thereof; FIG. 13 is a bottom plan view thereof, with the unclaimed accessories removed; FIG. 14 is a perspective view thereof, shown with the unclaimed accessories in an open position; and, FIG. 15 is a front elevation view thereof, shown with the unclaimed accessories in an open position. The broken lines depict accessories and attachment points which are environmental subject matter only and form no part of the claimed design.

1 Claim, 7 Drawing Sheets



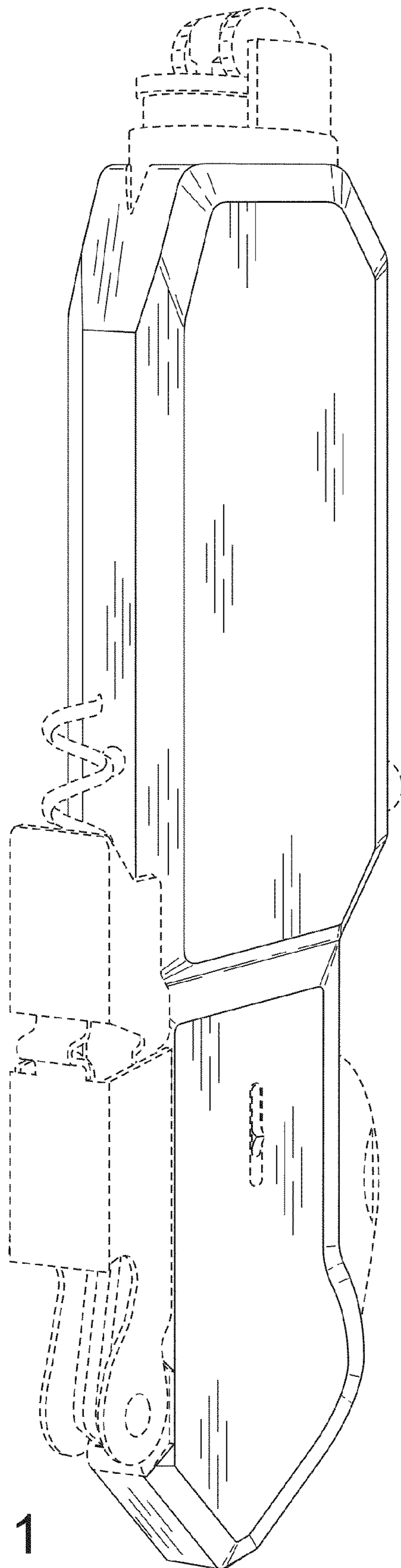


Fig. 1

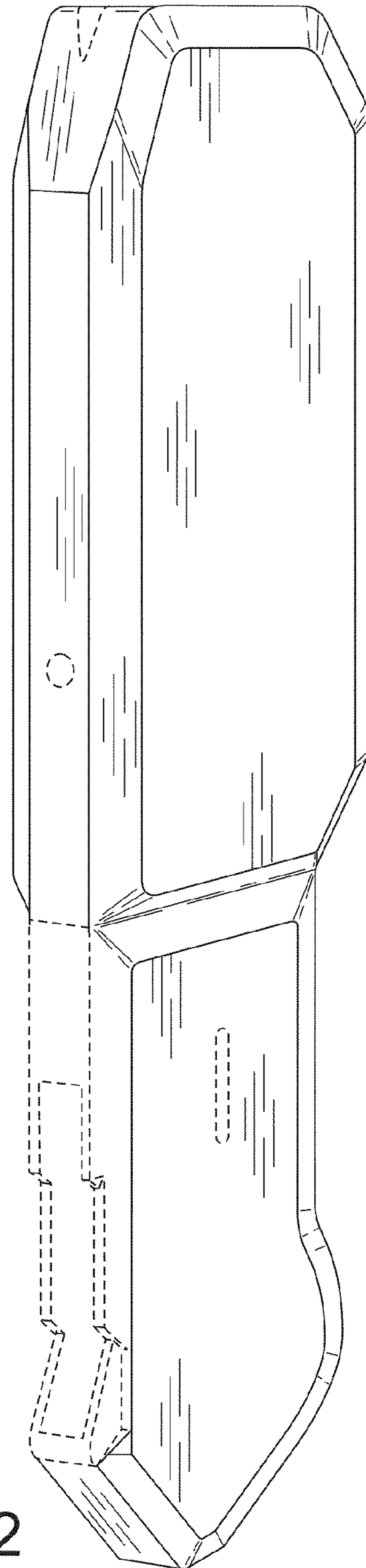


Fig. 2

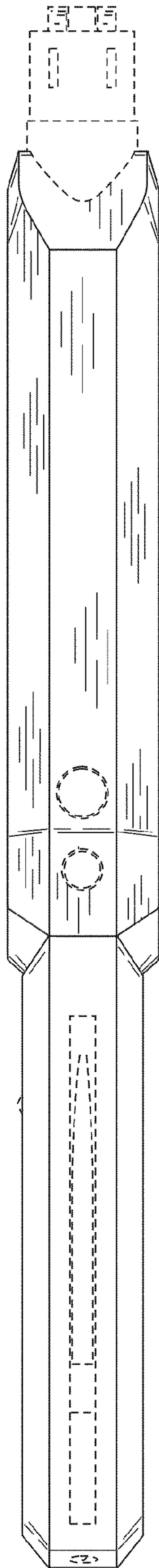


Fig. 3

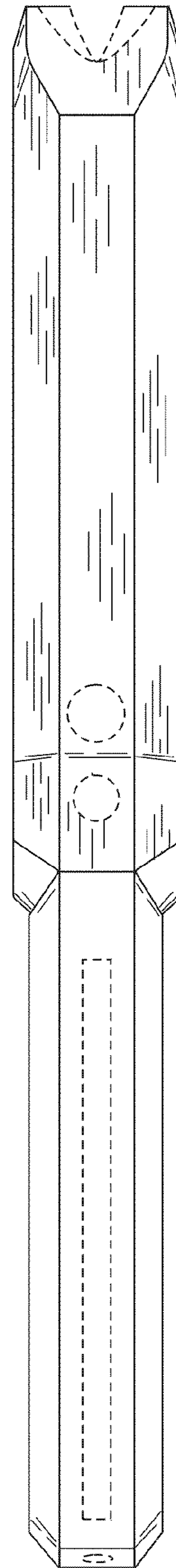


Fig. 4

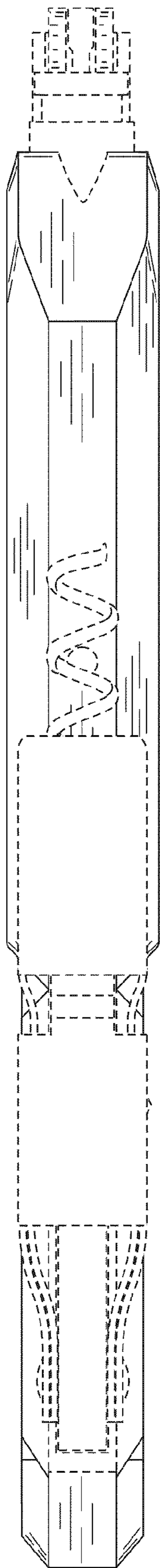


Fig. 5

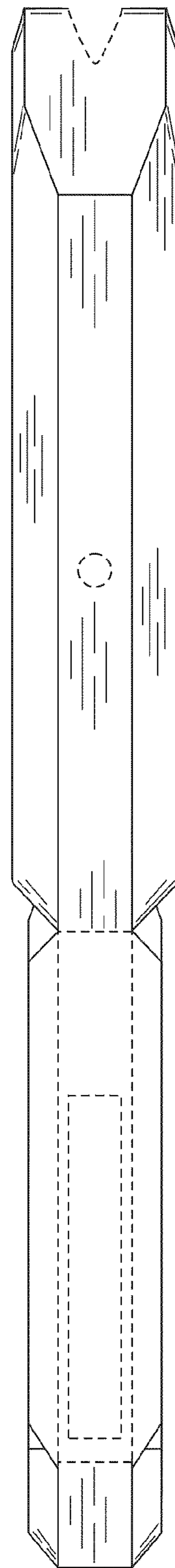


Fig. 6

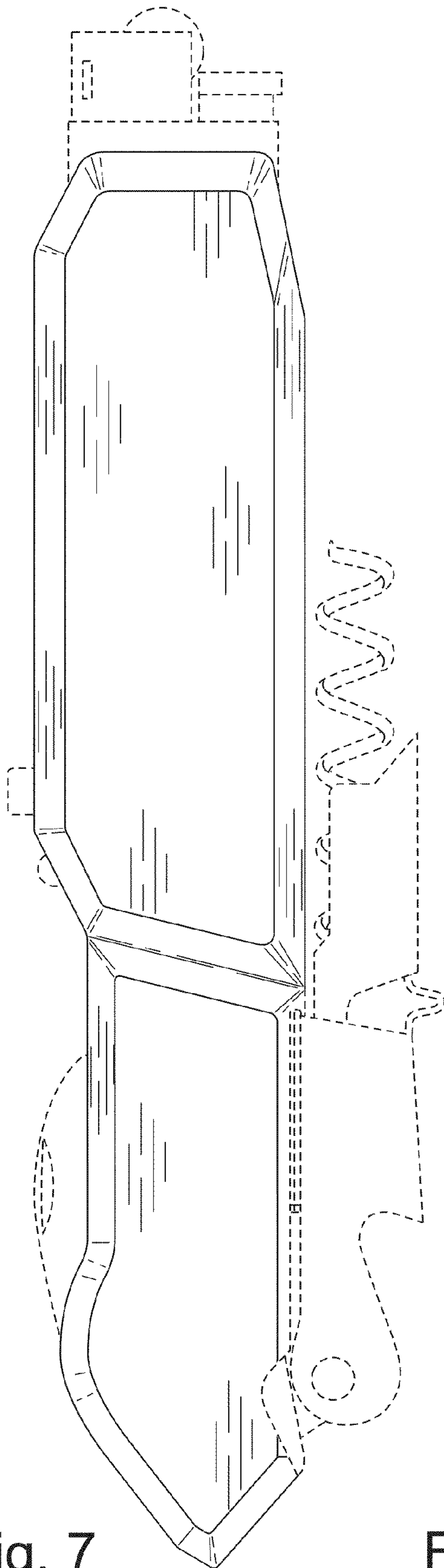


Fig. 7

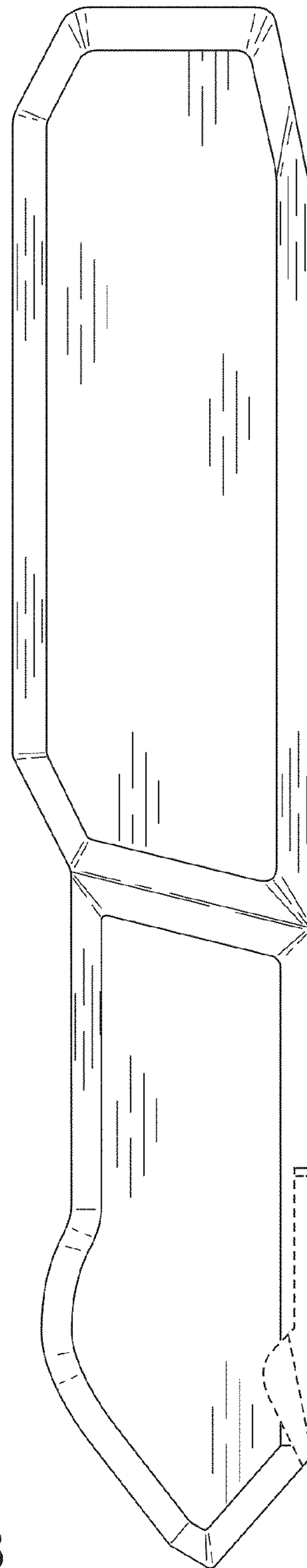


Fig. 8

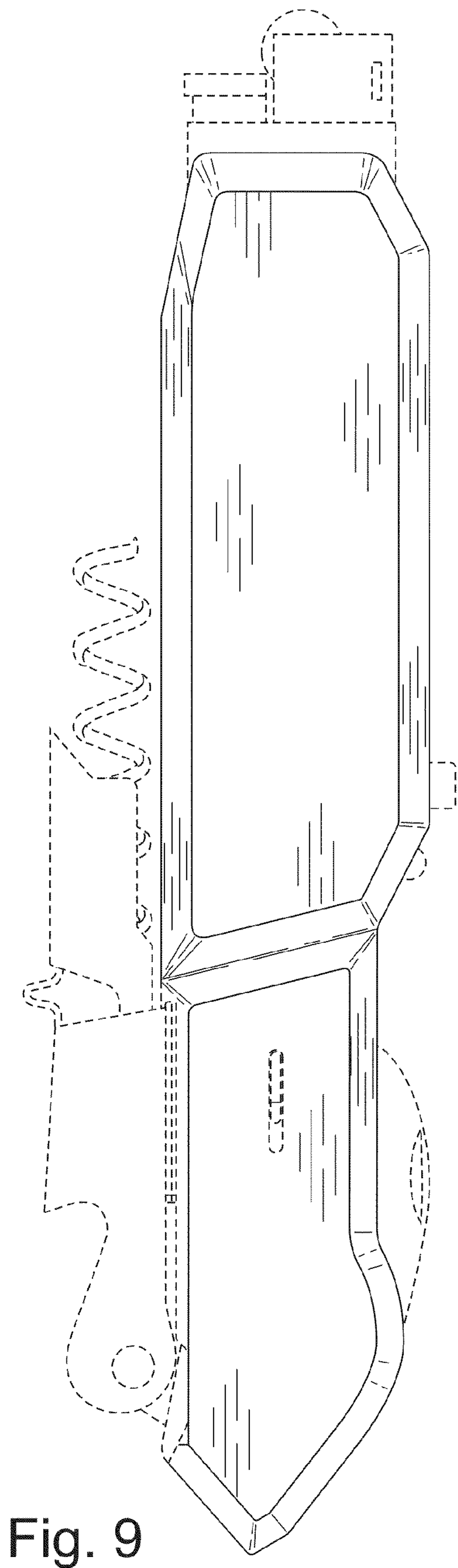


Fig. 9

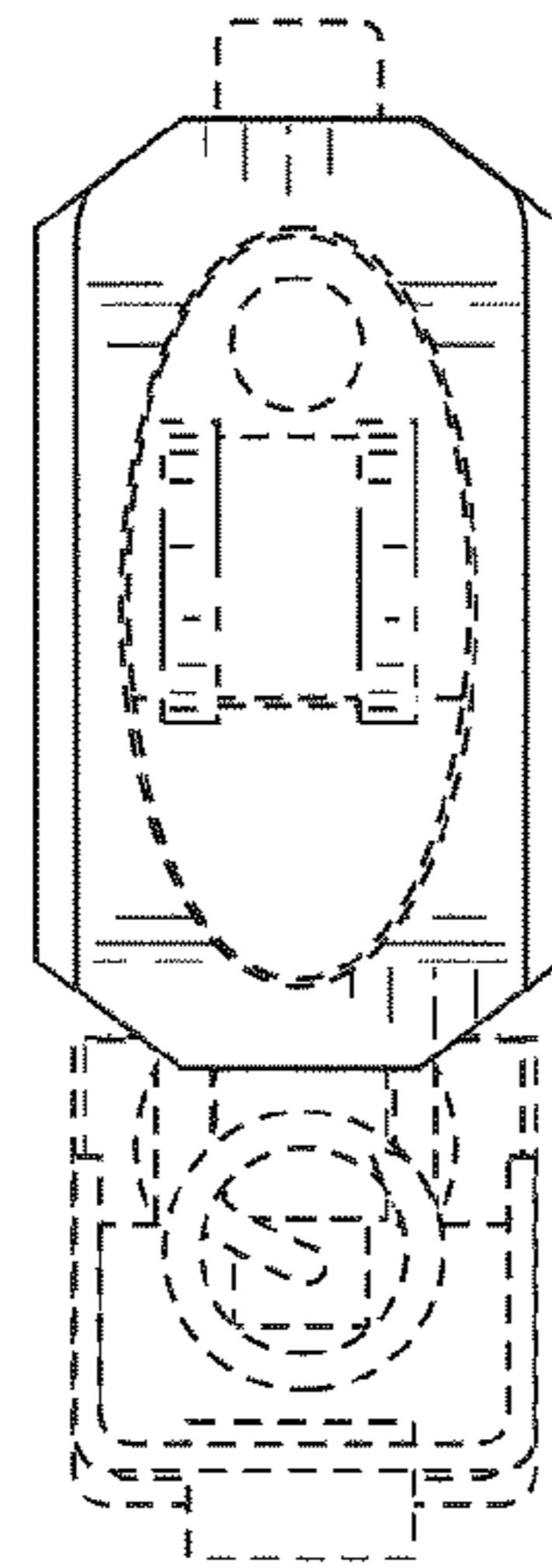


Fig. 10

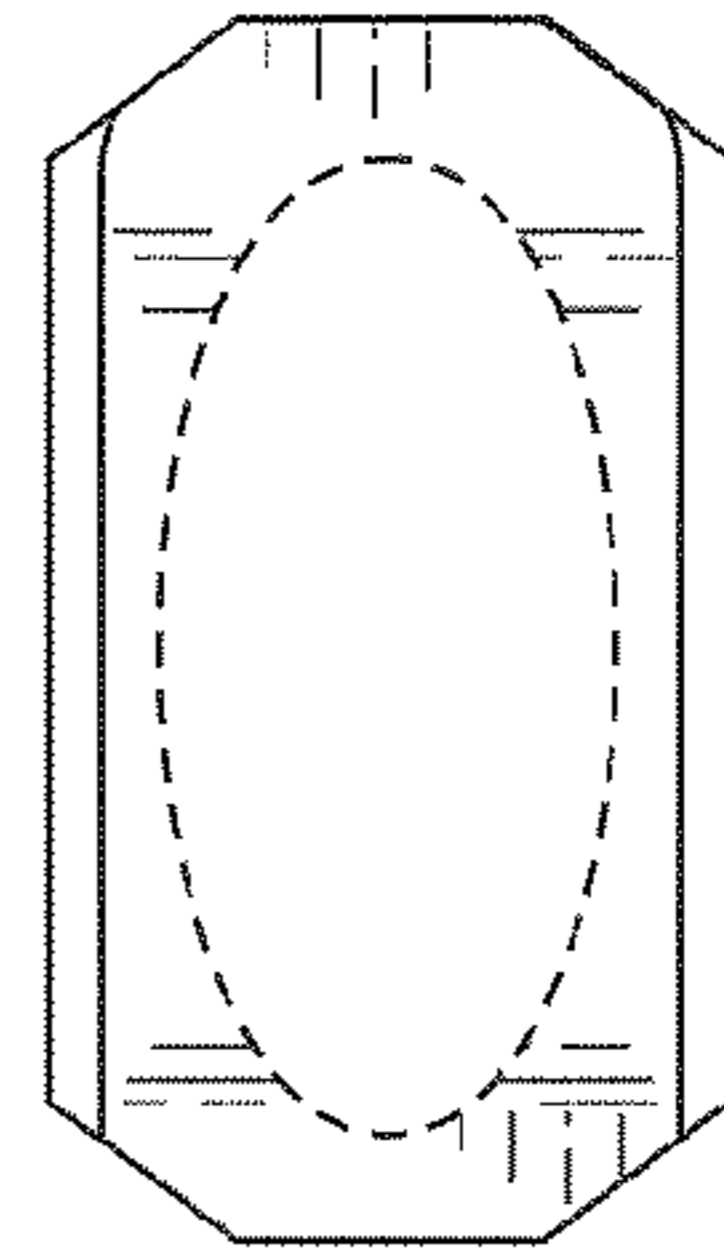


Fig. 11

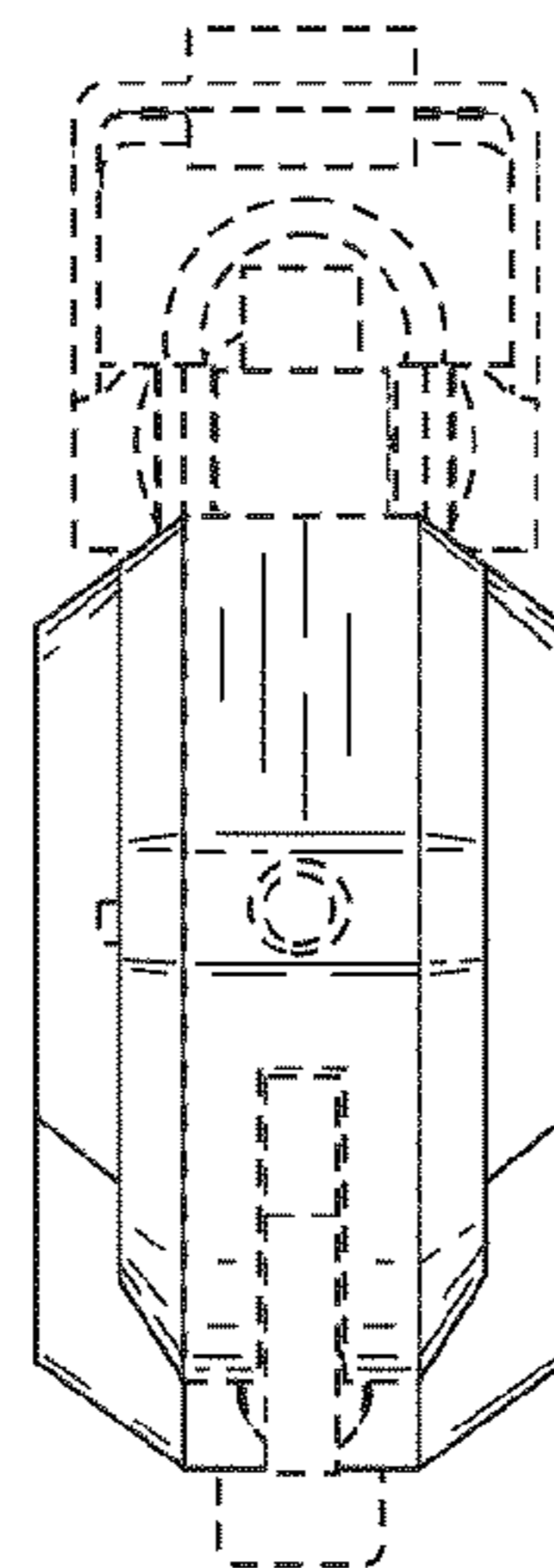


Fig. 12

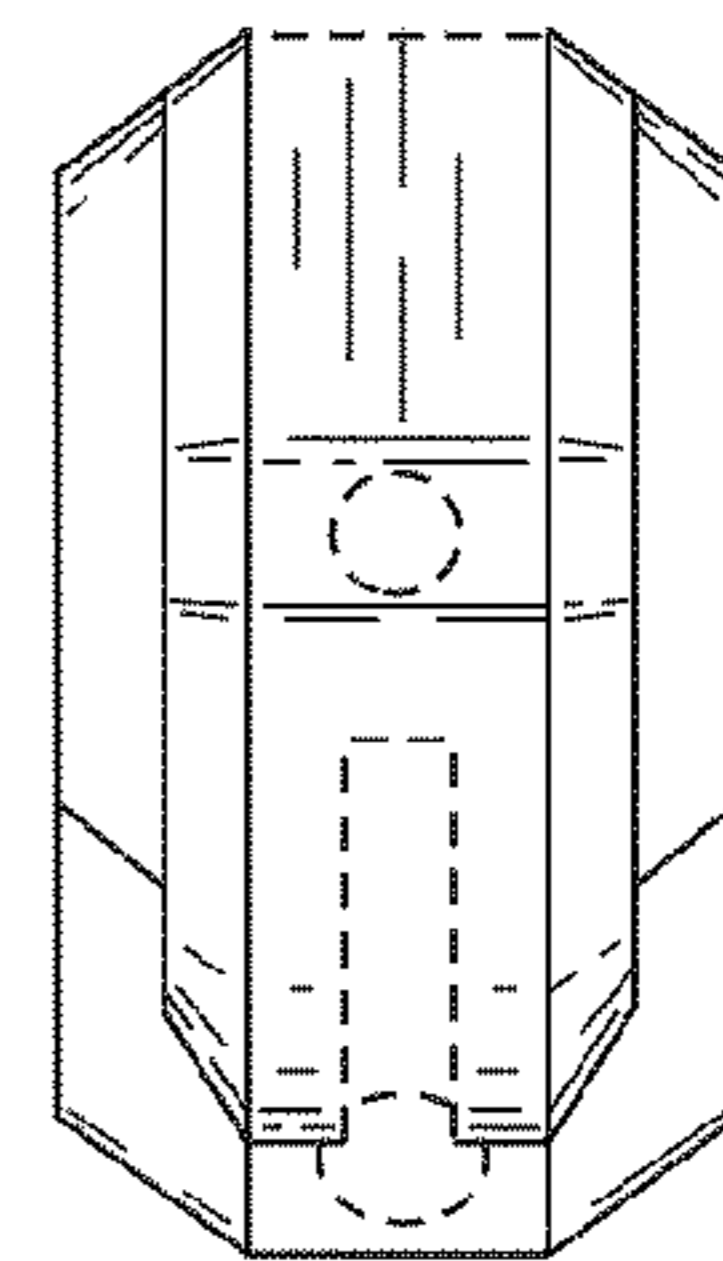


Fig. 13

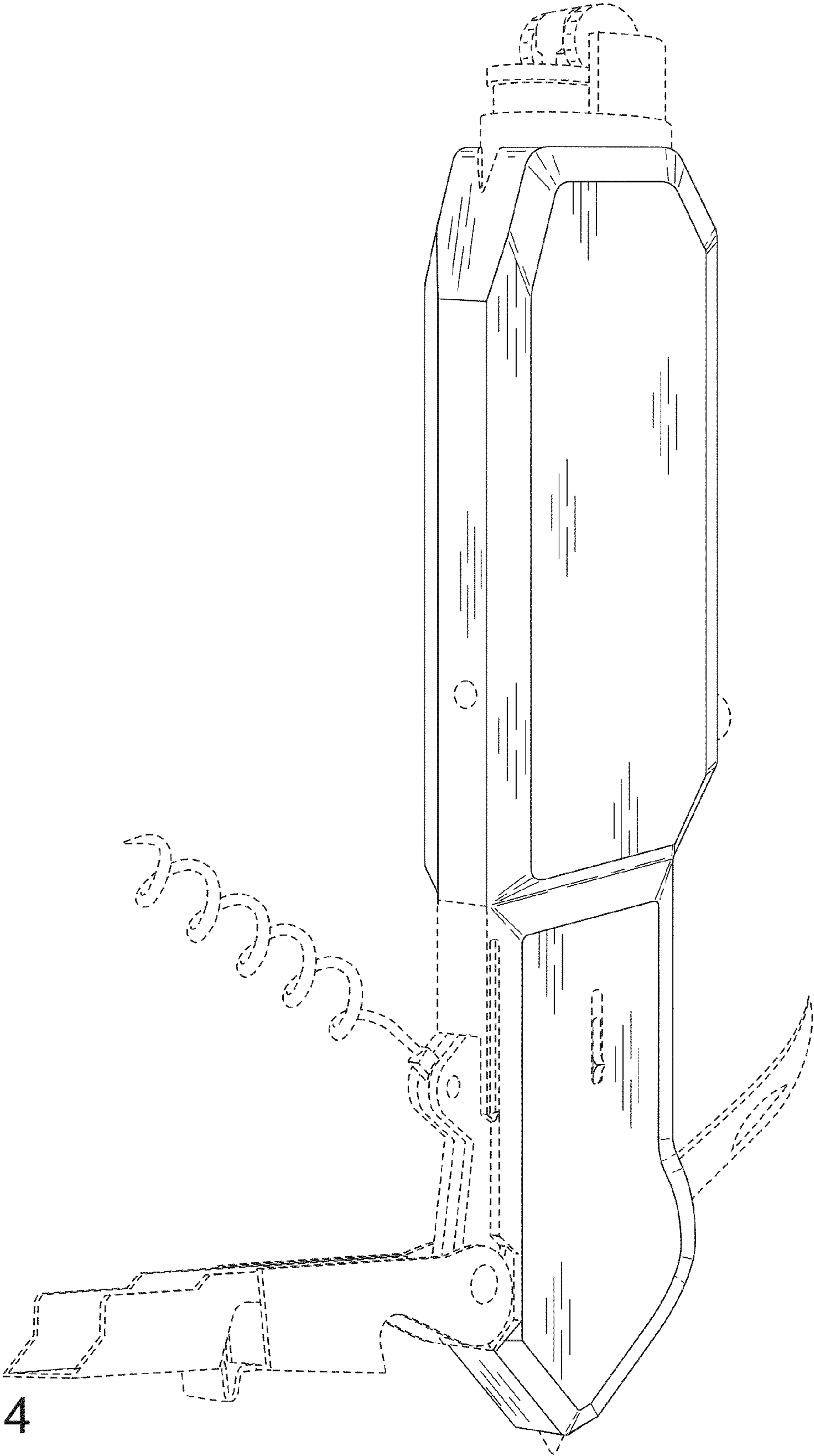


Fig. 14

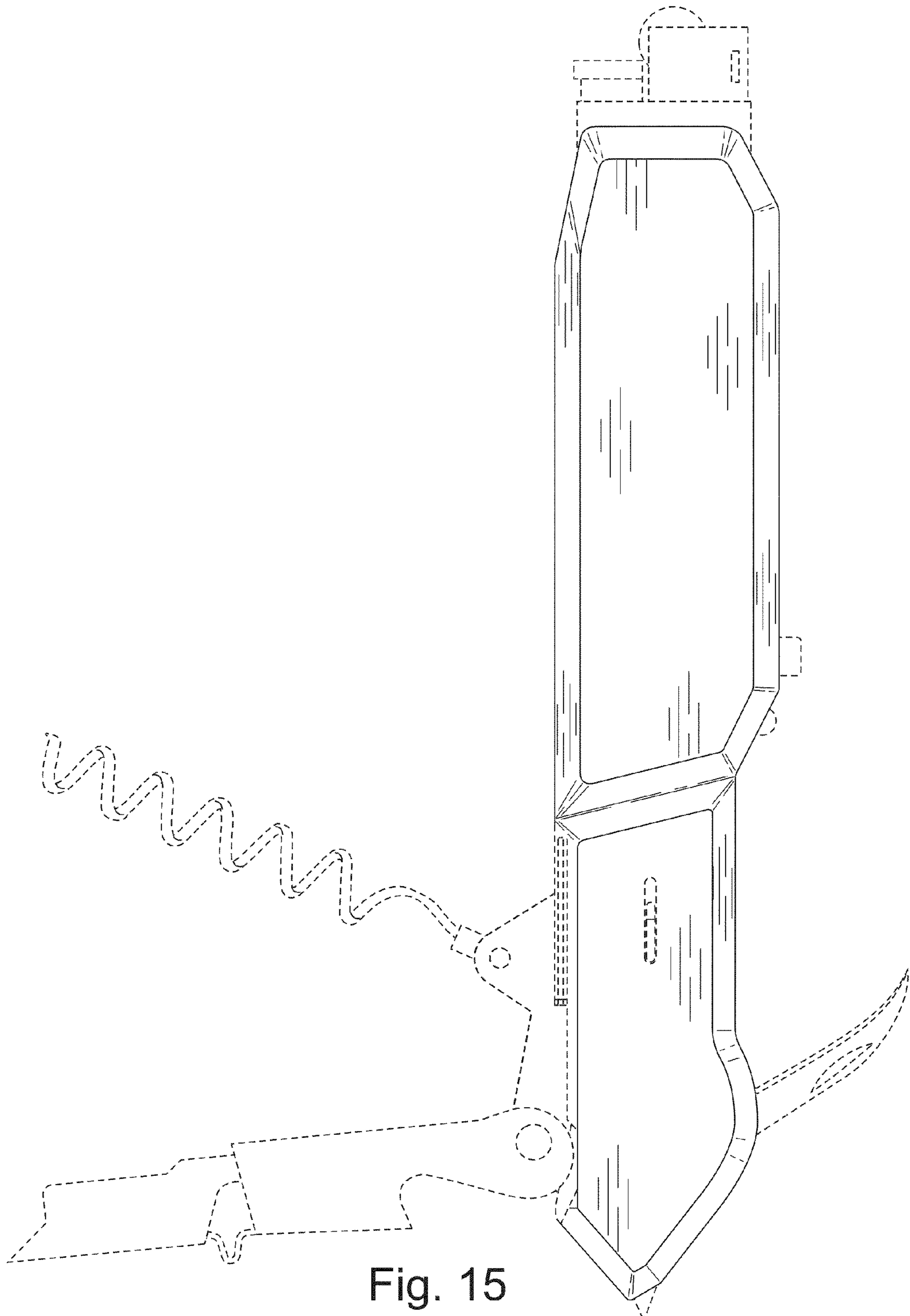


Fig. 15