



US00D642440S

(12) **United States Design Patent**
Boda et al.

(10) **Patent No.:** **US D642,440 S**

(45) **Date of Patent:** **** Aug. 2, 2011**

(54) **RAKE HEAD**

(75) Inventors: **James C. Boda**, Merrimac, WI (US);
Doug Birkholz, Madison, WI (US);
Robert A. Seaton, Verona, WI (US)

(73) Assignee: **Centurion Garden and Outdoor Living**, Verona, WI (US)

(**) Term: **14 Years**

(21) Appl. No.: **29/361,035**

(22) Filed: **May 4, 2010**

(51) **LOC (9) Cl.** **08-01**

(52) **U.S. Cl.** **D8/13**

(58) **Field of Classification Search** D8/13;
56/400.04, 400.01, 400.19, 400.21
See application file for complete search history.

(56) **References Cited**

U.S. PATENT DOCUMENTS

| | | | |
|--------------|---------|----------------|-------|
| D298,725 S | 11/1988 | Sunila et al. | |
| D456,676 S | 5/2002 | Sunila et al. | |
| D505,304 S * | 5/2005 | Conaway et al. | D8/13 |
| D514,902 S * | 2/2006 | Conaway et al. | D8/13 |
| D577,967 S * | 10/2008 | Norton et al. | D8/13 |
| D579,289 S * | 10/2008 | Norton et al. | D8/13 |
| D625,571 S * | 10/2010 | Frenkel | D8/13 |

* cited by examiner

Primary Examiner — Holly Baynham

Assistant Examiner — Sheryl Lane

(74) *Attorney, Agent, or Firm* — Michael Best & Friedrich LLP

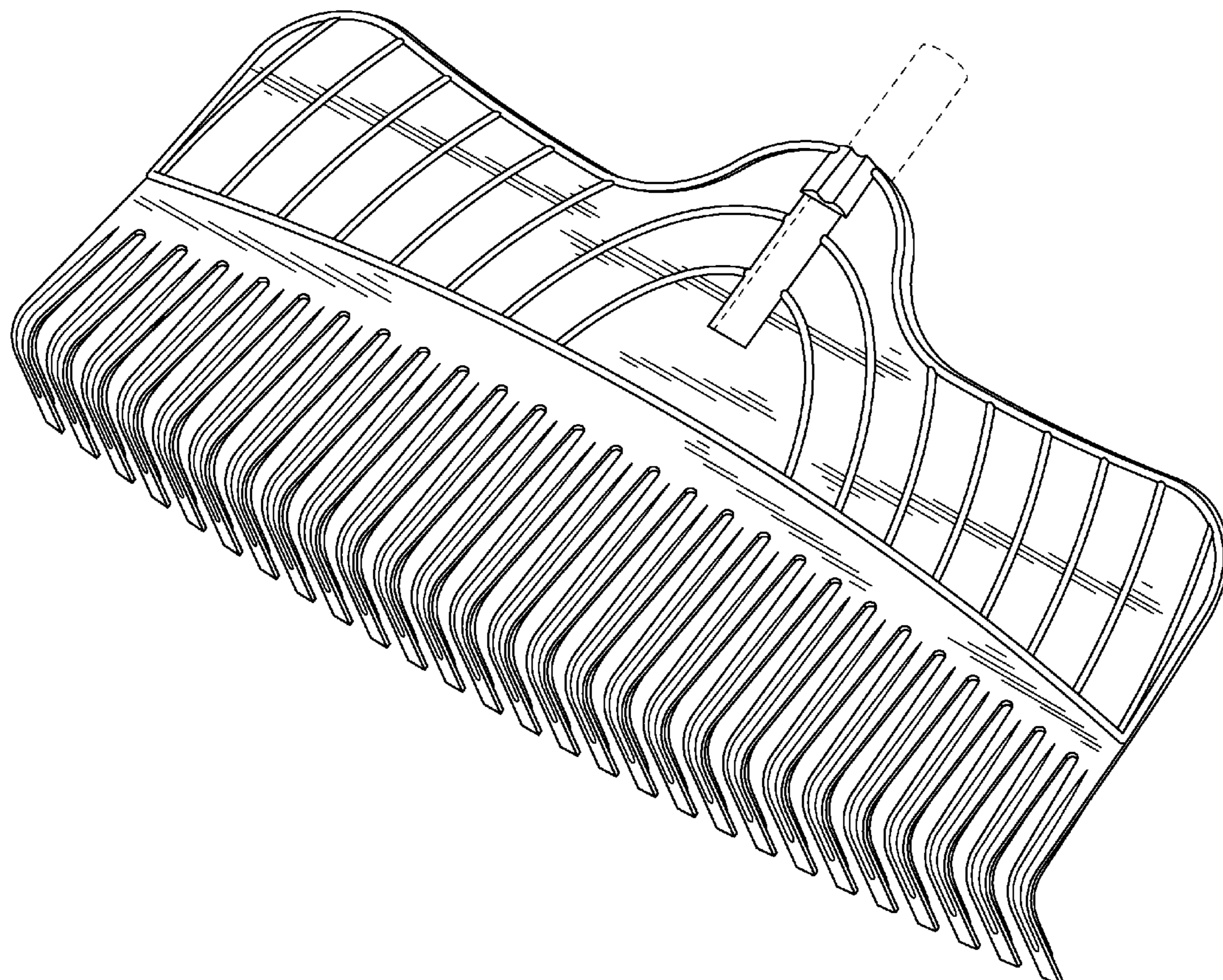
(57) **CLAIM**

We claim the ornamental design for a rake head, as shown and described.

DESCRIPTION

FIG. 1 is a perspective view of a rake head.
FIG. 2 is a top view of the rake head shown in FIG. 1.
FIG. 3 is a rear view of the rake head shown in FIG. 1.
FIG. 4 is a bottom view of the rake head shown in FIG. 1.
FIG. 5 is a front view of the rake head shown in FIG. 1.
FIG. 6 is a right side view of the rake head shown in FIG. 1; and,
FIG. 7 is a left side view of the rake head shown in FIG. 1.
The present application is directed to the shape and contour of the design illustrated in the drawings. The broken line showing of the environment is for illustrative purposes only and forms no part of the claimed design.

1 Claim, 4 Drawing Sheets



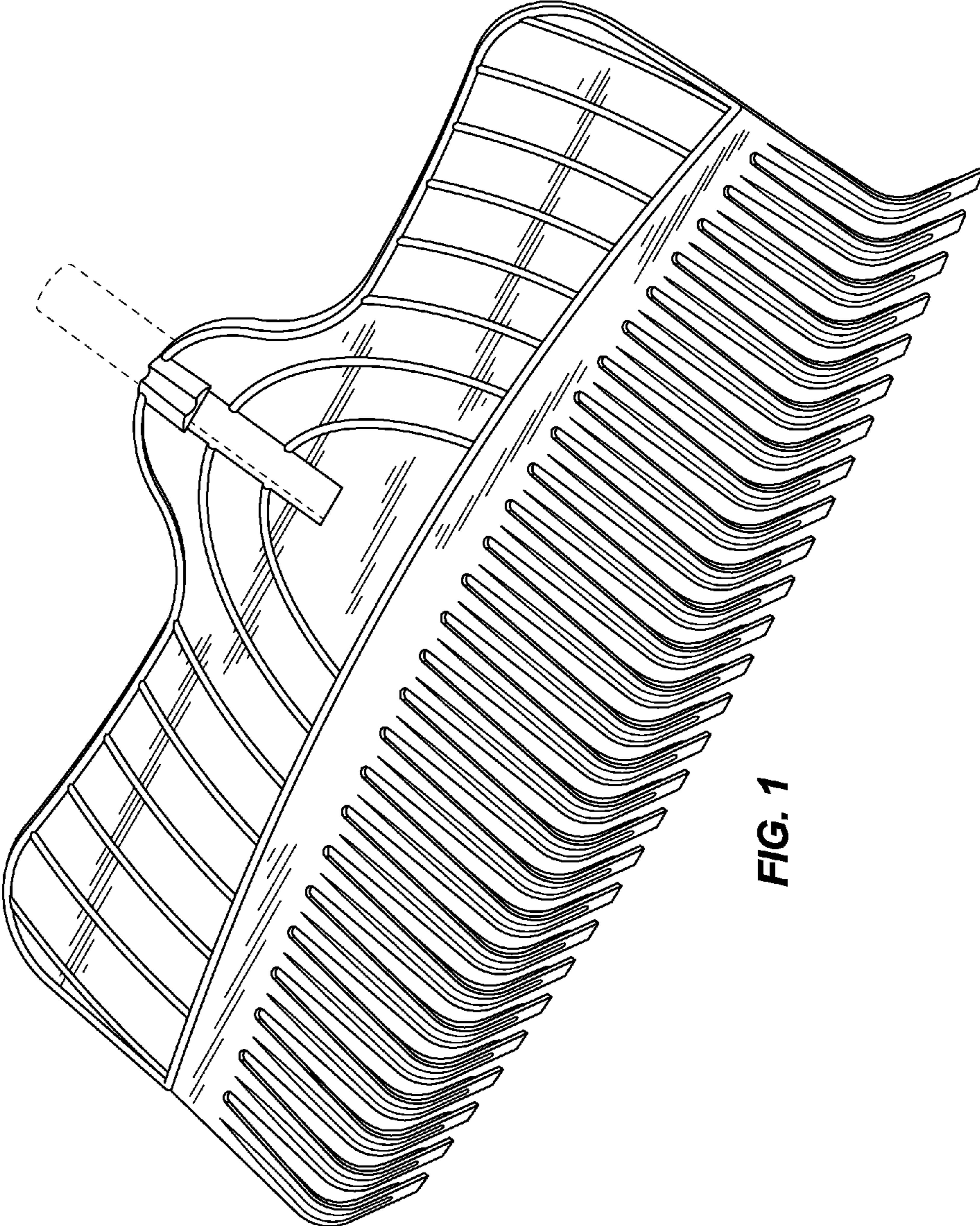


FIG. 1

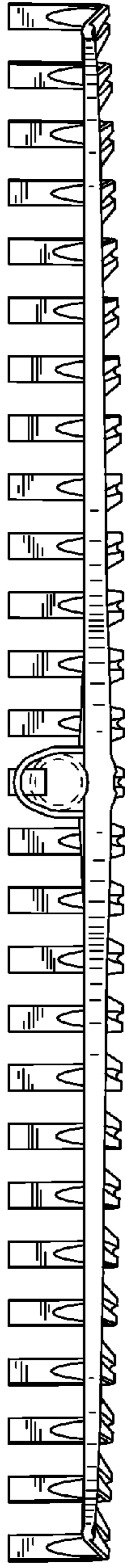


FIG. 3

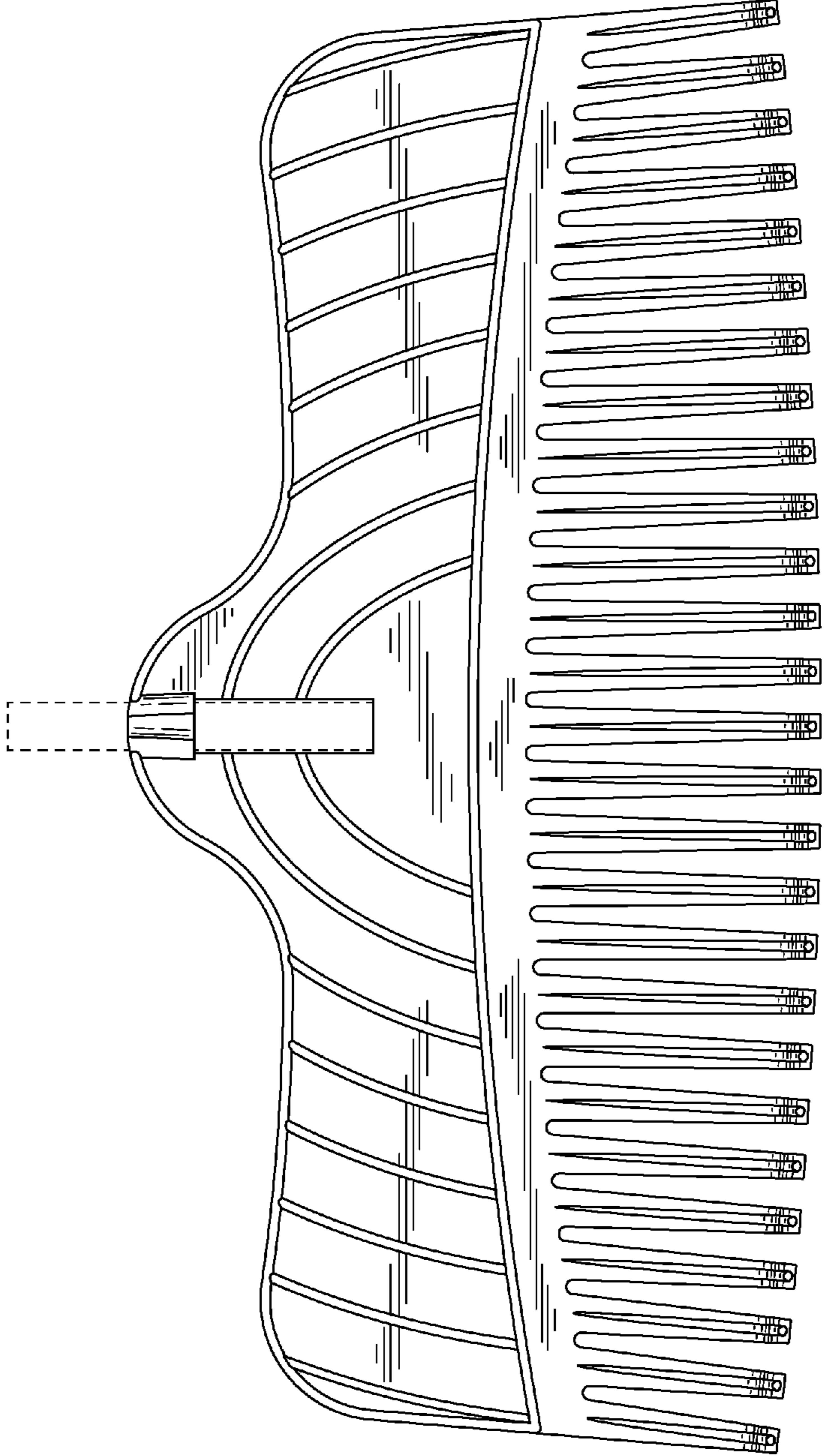


FIG. 2

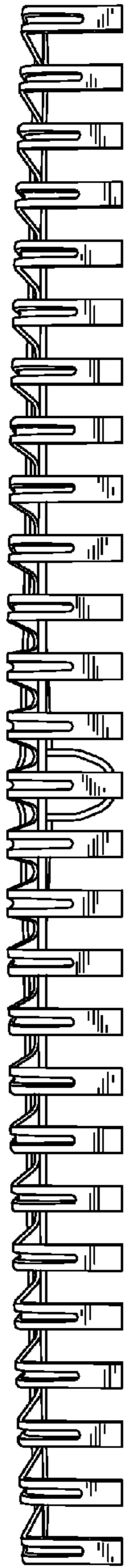


FIG. 5

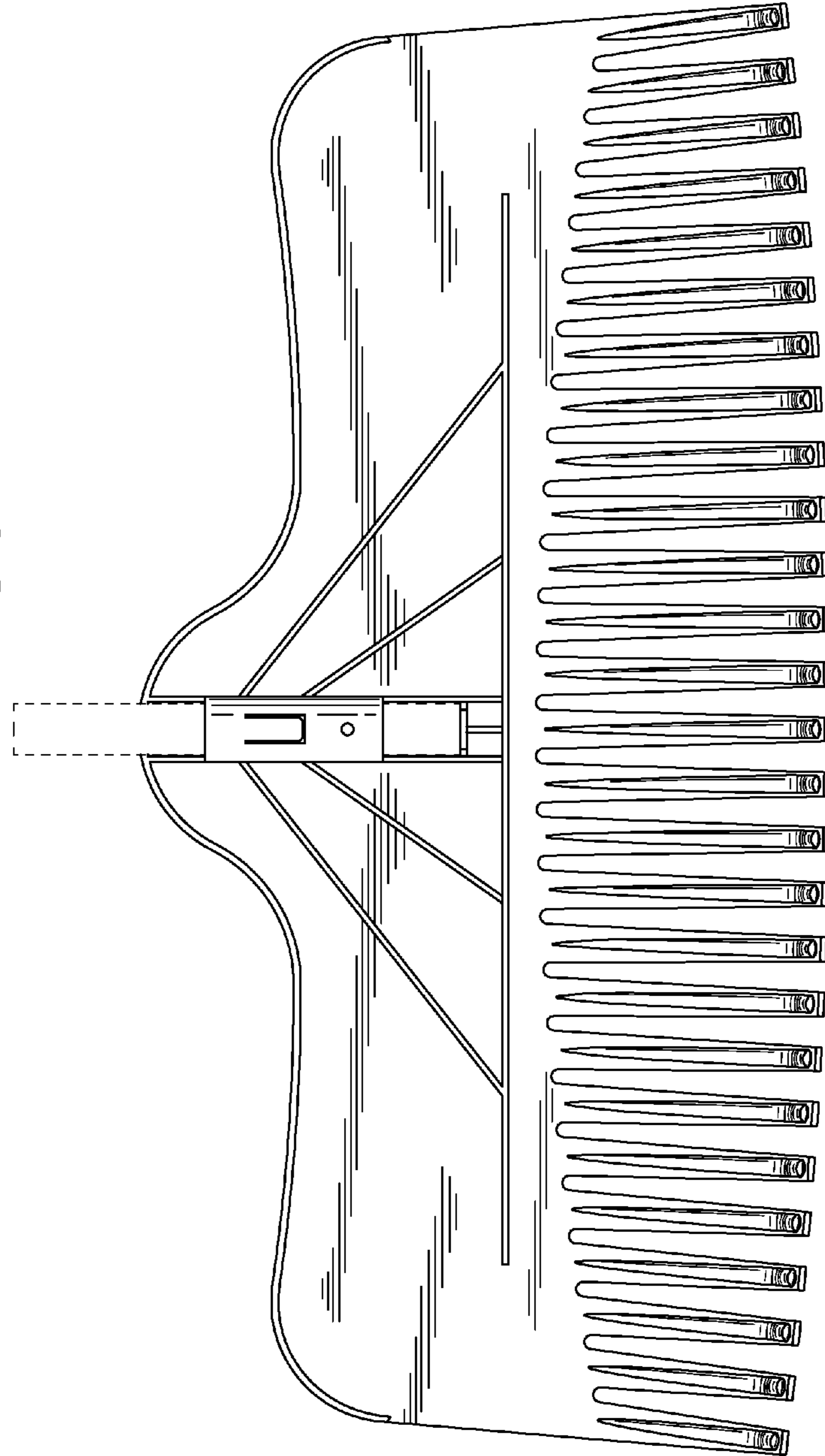


FIG. 4

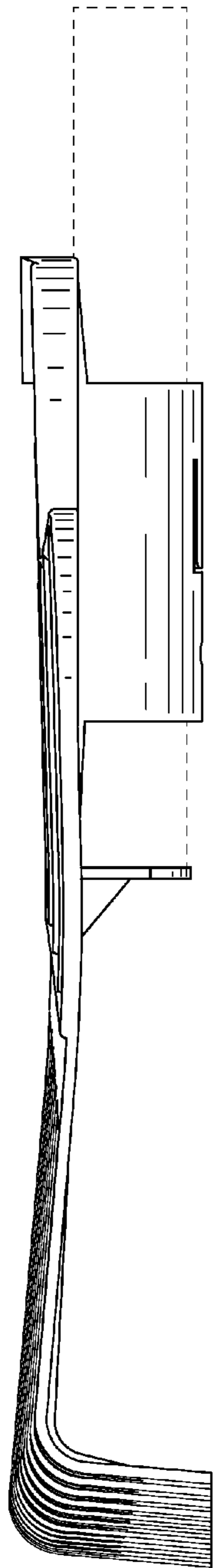


FIG. 6

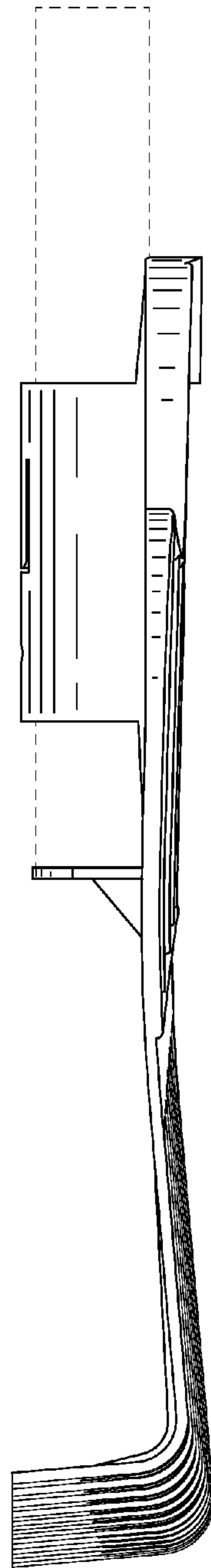


FIG. 7