



US00D642439S

(12) **United States Design Patent**
Corbin

(10) **Patent No.:** **US D642,439 S**

(45) **Date of Patent:** **** Aug. 2, 2011**

(54) **SUPPORT FOR STEMMED GLASSES**

(75) **Inventor:** **Gerard Corbin**, Meudon (FR)

(73) **Assignee:** **Gimex International Groupe Import Export**, Palaiseau (FR)

(**) **Term:** **14 Years**

(21) **Appl. No.:** **29/380,823**

(22) **Filed:** **Dec. 10, 2010**

(30) **Foreign Application Priority Data**

Jun. 10, 2010 (EM) 001717935

(51) **LOC (9) Cl.** **07-01**

(52) **U.S. Cl.** **D7/701**

(58) **Field of Classification Search** D6/512-514,
D6/526, 531, 534, 552, 405, 411, 457, 458;
D7/701-708, 600.1-600.4, 602; 211/13.1,
211/74, 77, 78, 71.01, 70.6, 70.7, 181.1

See application file for complete search history.

(56) **References Cited**

U.S. PATENT DOCUMENTS

D165,303 S *	11/1951	Rogers et al.	D7/706
D171,307 S *	1/1954	Philp	D6/514
D320,722 S *	10/1991	Sanford	D7/701
D324,799 S *	3/1992	Shoemaker	D7/701
D360,214 S *	7/1995	Loudon	D7/701

D366,171 S *	1/1996	Green	D6/534
D401,819 S *	12/1998	Doret, Jr.	D7/600.2
D416,761 S *	11/1999	Miller	D7/600
D419,810 S *	2/2000	John	D6/556
D425,255 S *	5/2000	Chen	D6/526
D569,201 S *	5/2008	Grady	D7/704
D587,540 S *	3/2009	Klump	D7/701
D618,074 S *	6/2010	Paetsch	D7/701

* cited by examiner

Primary Examiner — Brian N Vinson

(74) *Attorney, Agent, or Firm* — Young & Thompson

(57) **CLAIM**

The ornamental design for a support for stemmed glasses, as shown and described.

DESCRIPTION

FIG. 1 is a perspective view of a support for stemmed glasses showing my new design;

FIG. 2 is a perspective view thereof from the side opposite that shown in FIG. 1;

FIG. 3 is a top plan view thereof;

FIG. 4 is a bottom plan view thereof;

FIG. 5 is a side elevational view thereof;

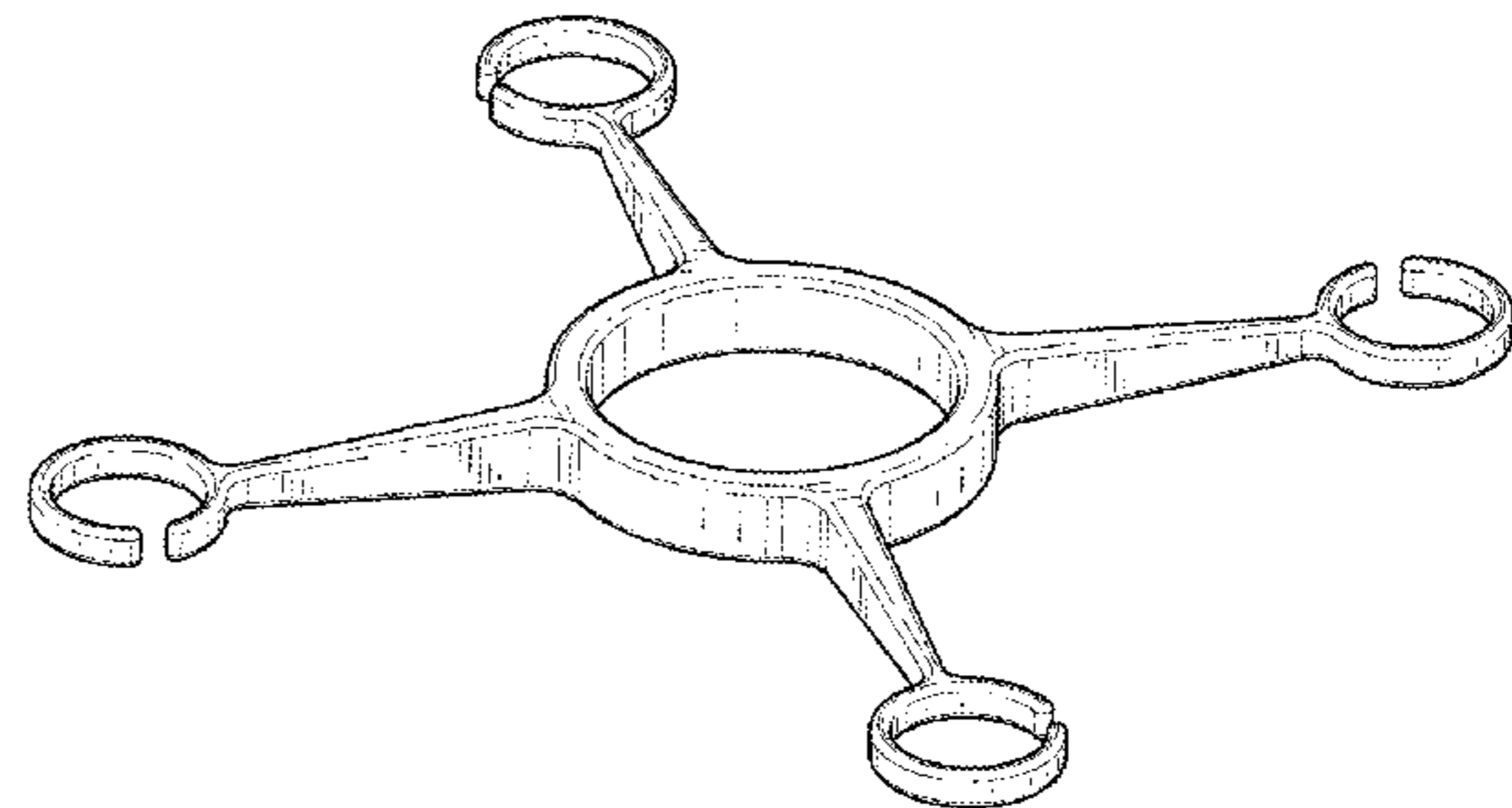
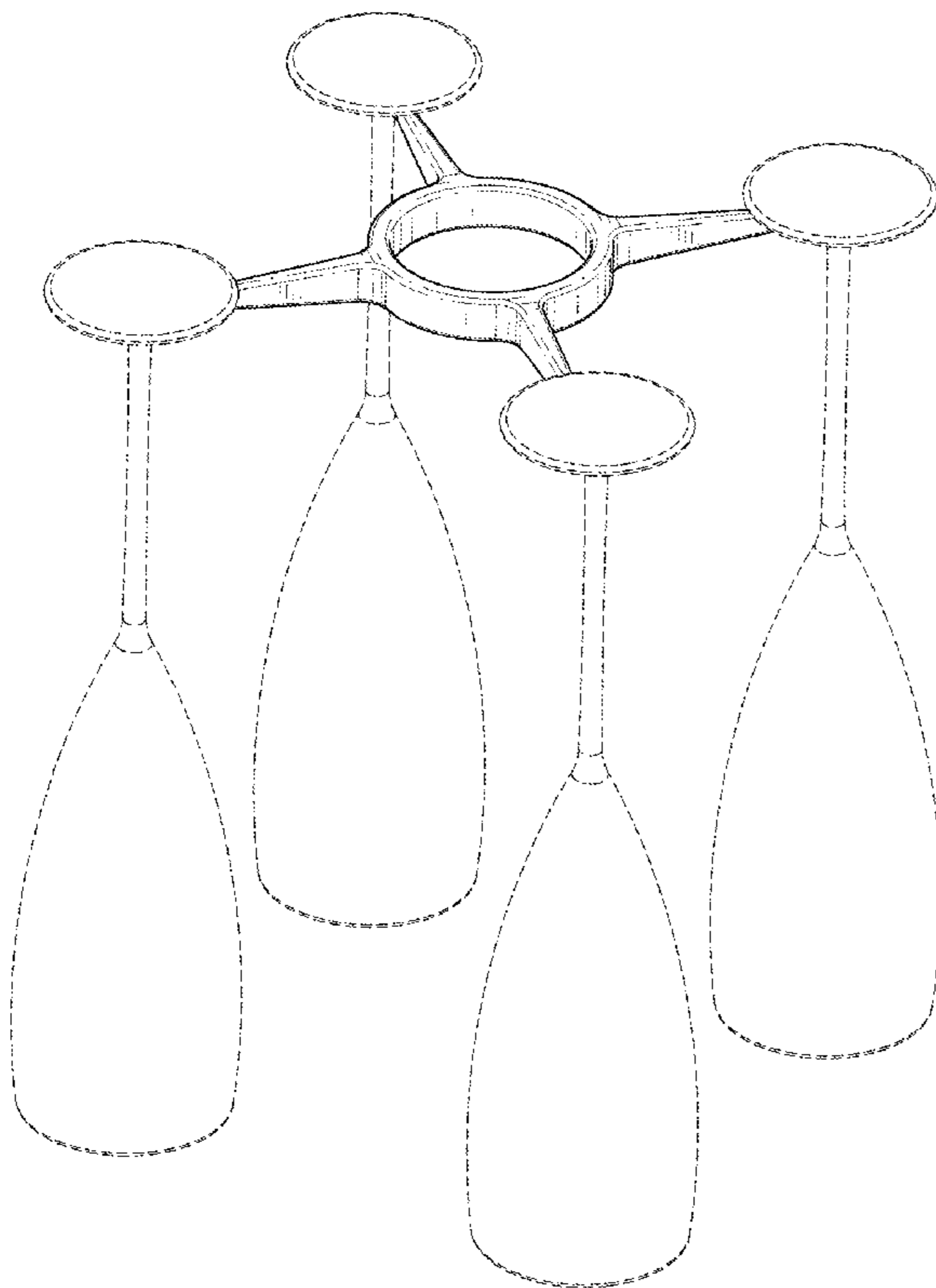
FIG. 6 is a side elevational view thereof from the side opposite that shown in FIG. 5;

FIG. 7 is an end view thereof; and,

FIG. 8 is an end view thereof from the end opposite that shown in FIG. 7.

The material shown in broken lines forms no part of the claimed design.

1 Claim, 4 Drawing Sheets



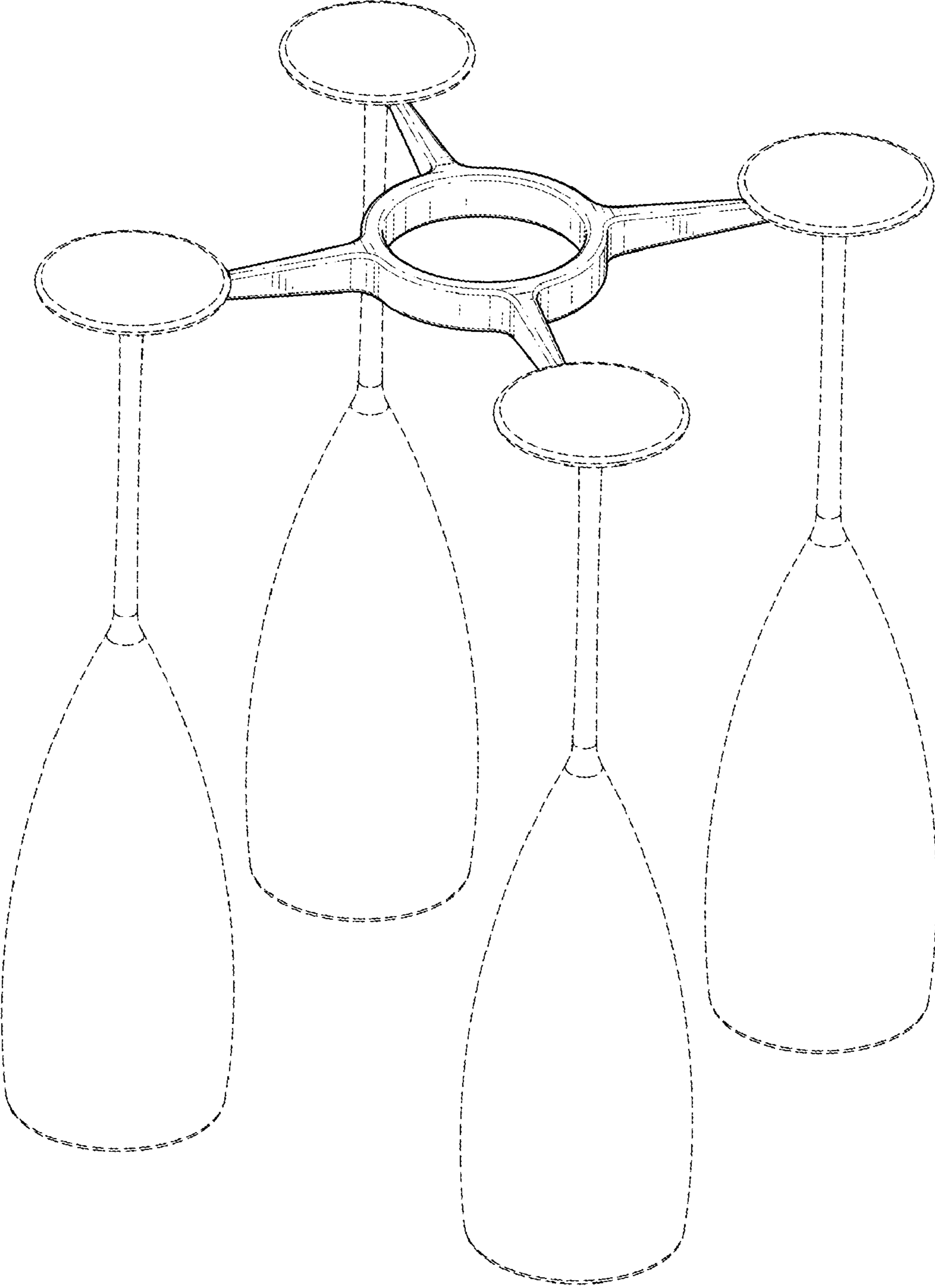


FIG. 1

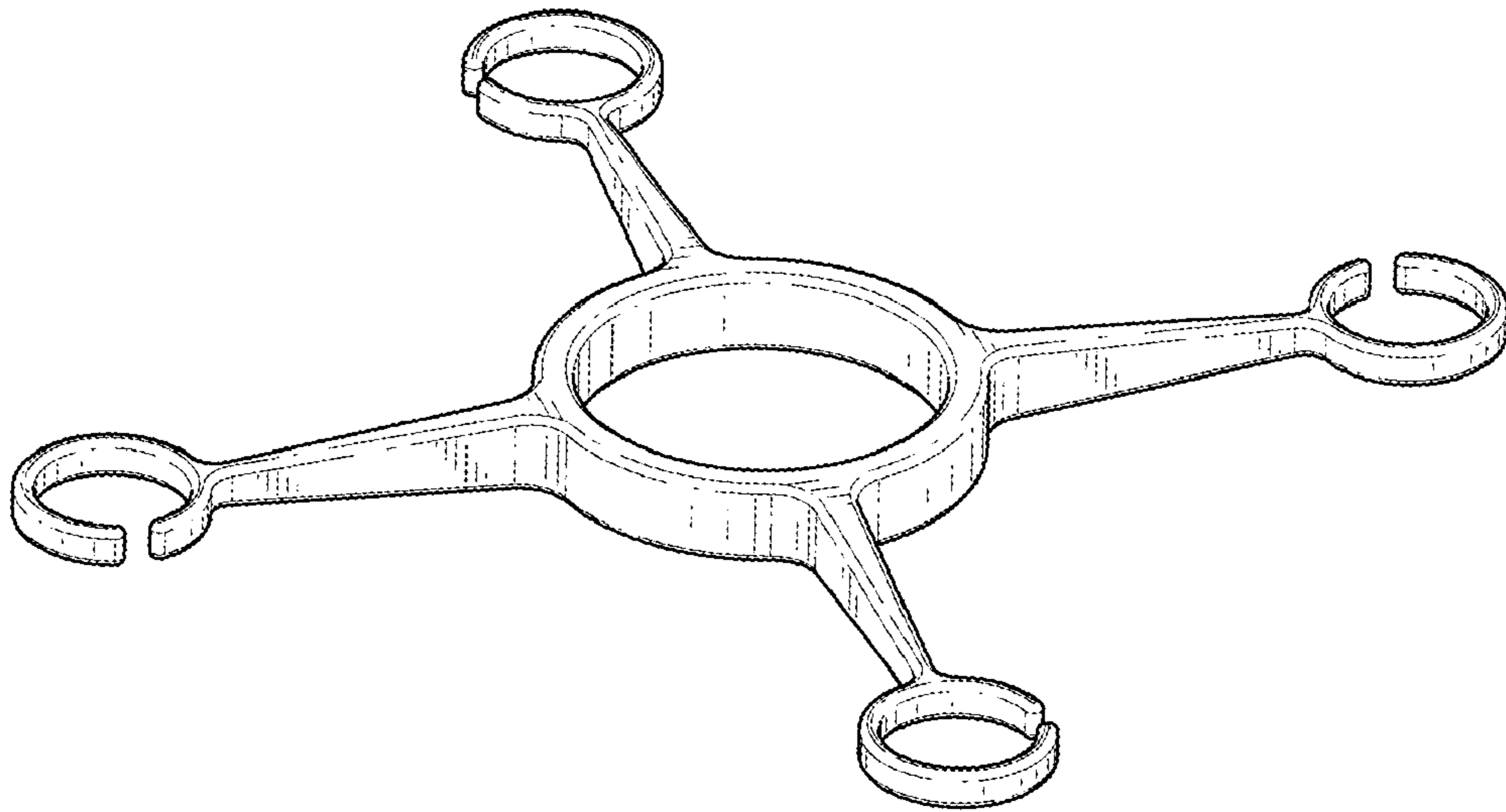


FIG. 2

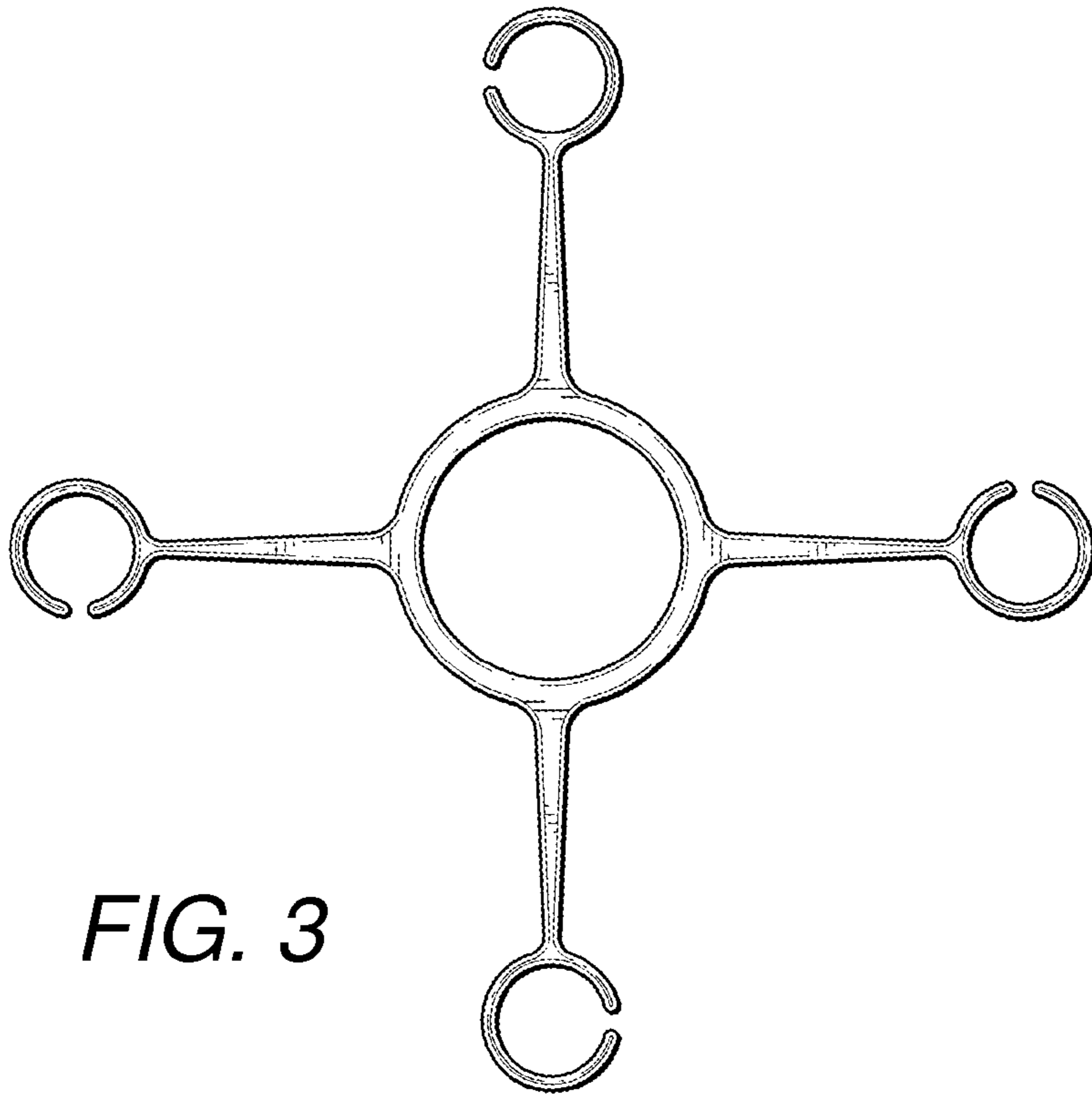


FIG. 3

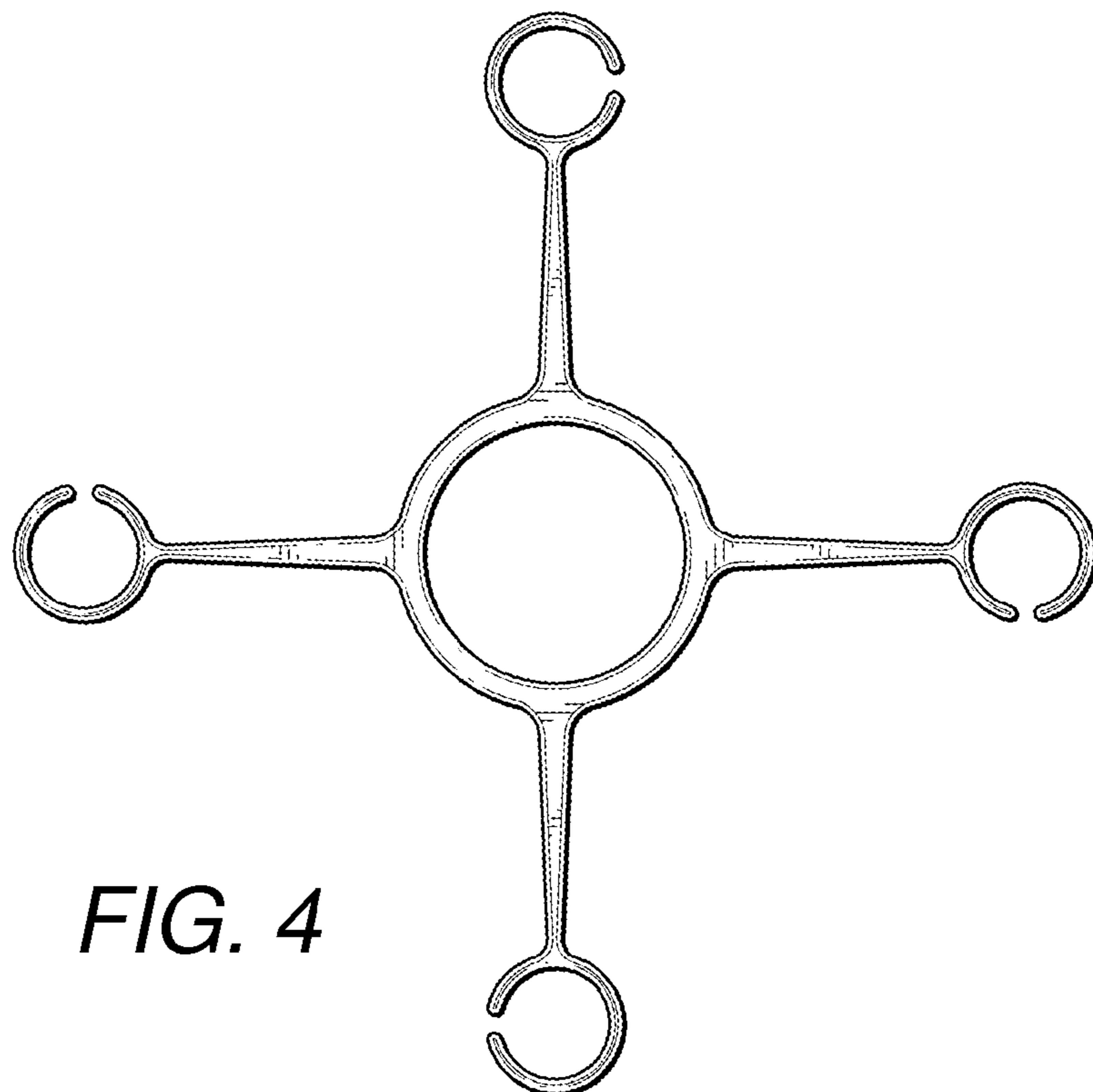


FIG. 4

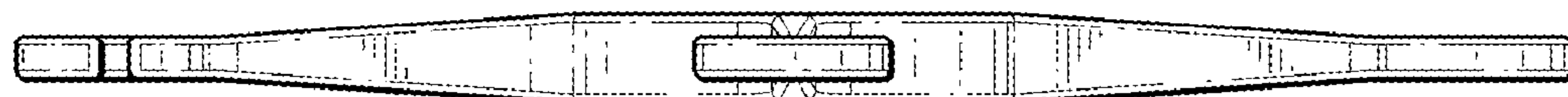


FIG. 5

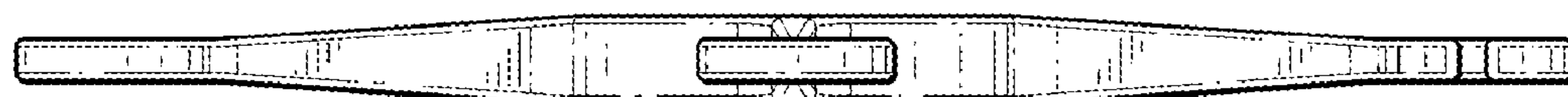


FIG. 6



FIG. 7



FIG. 8