



US00D642437S

(12) **United States Design Patent**
Schofield et al.

(10) **Patent No.:** **US D642,437 S**

(45) **Date of Patent:** **** Aug. 2, 2011**

(54) **DRINKING CUP**

(75) Inventors: **Paul Schofield**, Faceby (GB); **Ian Webb**, London (GB); **Mark Armstrong**, Wales (GB); **Tom Cotton**, London (GB)

(73) Assignee: **Jackel International Limited**, Cramlington, Northumberland (GB)

(**) Term: **14 Years**

(21) Appl. No.: **29/349,532**

(22) Filed: **Apr. 12, 2010**

(30) **Foreign Application Priority Data**

Oct. 12, 2009 (EM) 0001171391-0003
Oct. 12, 2009 (EM) 0001171391-0004
Oct. 12, 2009 (EM) 0001171391-0005

(51) **LOC (9) Cl.** **07-01**

(52) **U.S. Cl.** **D7/510; D7/511; D24/197**

(58) **Field of Classification Search** D7/510, D7/511, 534, 509; 215/11.1; 220/714; D24/197
See application file for complete search history.

(56) **References Cited**

U.S. PATENT DOCUMENTS

D423,107 S * 4/2000 Brown et al. D24/197
D460,322 S * 7/2002 Orr et al. D7/510
6,568,557 B2 * 5/2003 Fusco et al. 220/714
D496,733 S * 9/2004 Morano et al. D24/197
D501,361 S * 2/2005 Tollman D7/510
D504,049 S * 4/2005 Morano et al. D7/534
D511,836 S * 11/2005 Morano et al. D24/197
6,978,908 B2 * 12/2005 Morano et al. 215/396
D538,938 S * 3/2007 Pillado D24/197
D559,622 S * 1/2008 Carreno D7/510
D559,624 S * 1/2008 Carreno D7/534
D609,527 S * 2/2010 Roehrig et al. D7/510
D617,465 S * 6/2010 Hakim D24/197
D620,309 S * 7/2010 Boonprasop D7/396.2

D625,830 S * 10/2010 Py et al. D24/197
2004/0026351 A1 * 2/2004 Dunn et al. 215/11.1
2007/0184022 A1 * 8/2007 Wang et al. 424/85.2

* cited by examiner

Primary Examiner — Marianne Pandozzi

(74) *Attorney, Agent, or Firm* — Olson & Cepuritis, Ltd.

(57) **CLAIM**

The ornamental design for a drinking cup, as shown and described.

DESCRIPTION

FIG. 1 is a perspective view of a drinking cup of our design with a base and lid having a drinking spout;

FIG. 2 is another perspective view of the drinking cup of FIG. 1;

FIG. 3 is a side elevational view of the drinking cup of FIG. 1;

FIG. 4 is another side elevational view of the drinking cup of FIG. 1, which is a mirror image of the side elevation view of FIG. 3;

FIG. 5 is a front elevational view of the drinking cup of FIG. 1;

FIG. 6 is a top plan view of the drinking cup of FIG. 1;

FIG. 7 is a bottom plan view of the drinking cup of FIG. 1;

FIG. 8 is a perspective view of a drinking cup showing our new design with the lid removed for ease of illustration;

FIG. 9 is a rear elevational view of FIG. 8;

FIG. 10 is a front elevational view of FIG. 8;

FIG. 11 is a top plan view of FIG. 8;

FIG. 12 is a bottom plan view of FIG. 8;

FIG. 13 is a side elevational view of FIG. 8;

FIG. 14 is a perspective view of a drinking cup showing our new design with the base removed for ease of illustration;

FIG. 15 is a front elevational view of FIG. 14;

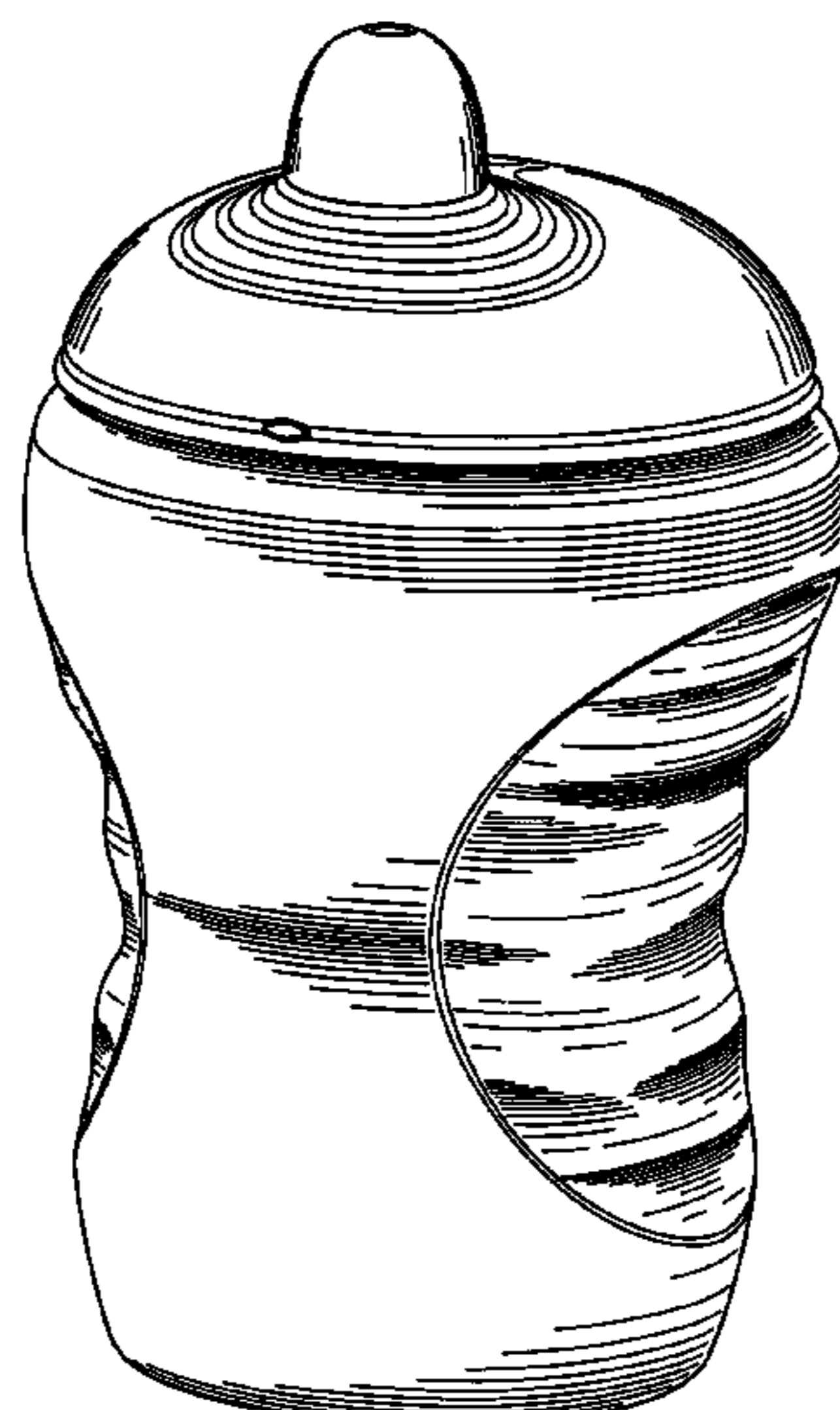
FIG. 16 is a rear elevational view of FIG. 14;

FIG. 17 is a top plan view of FIG. 14;

FIG. 18 is a bottom plan view of FIG. 14; and,

FIG. 19 is a side elevational view of FIG. 14.

1 Claim, 12 Drawing Sheets



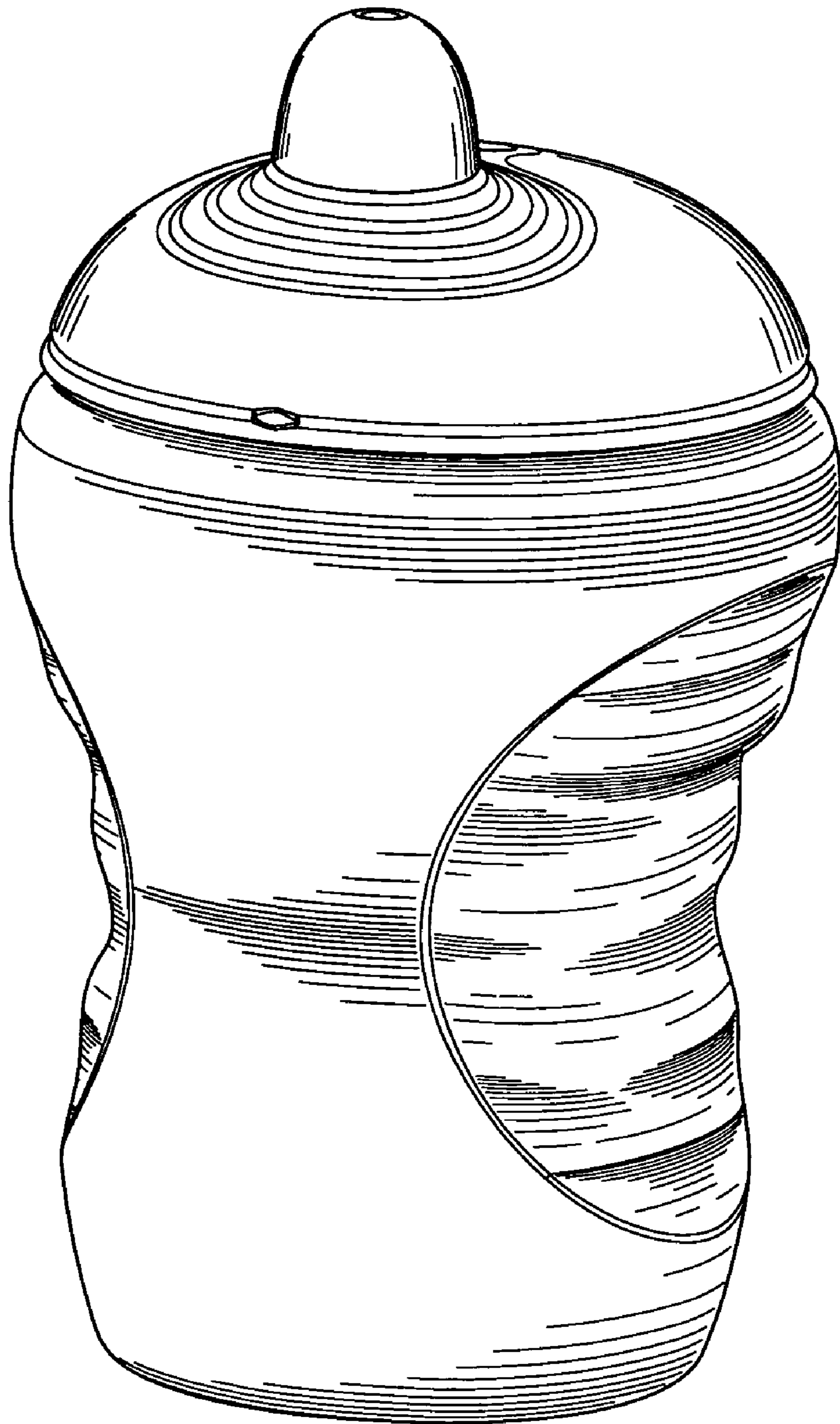


FIG. 1

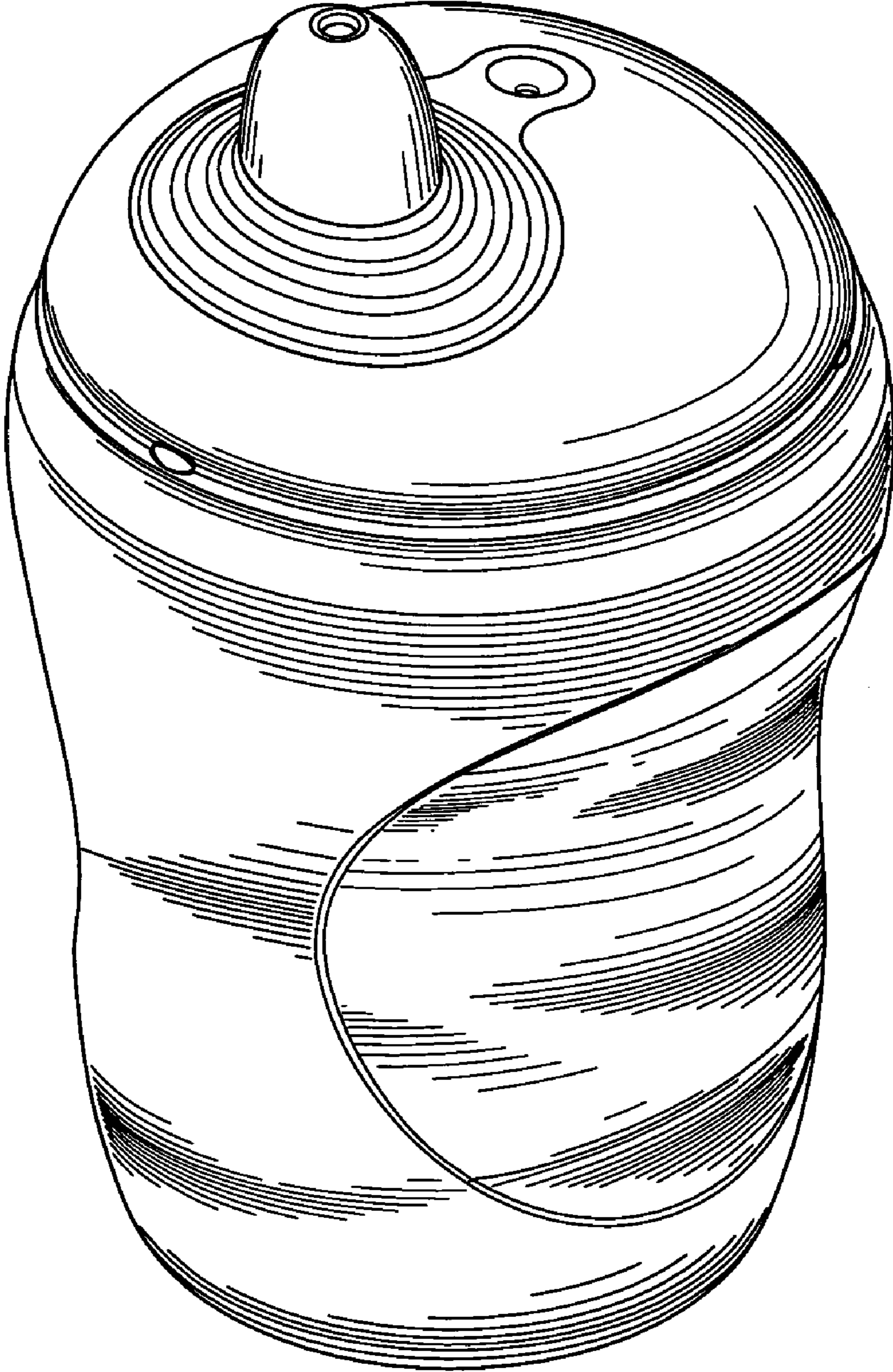


FIG. 2

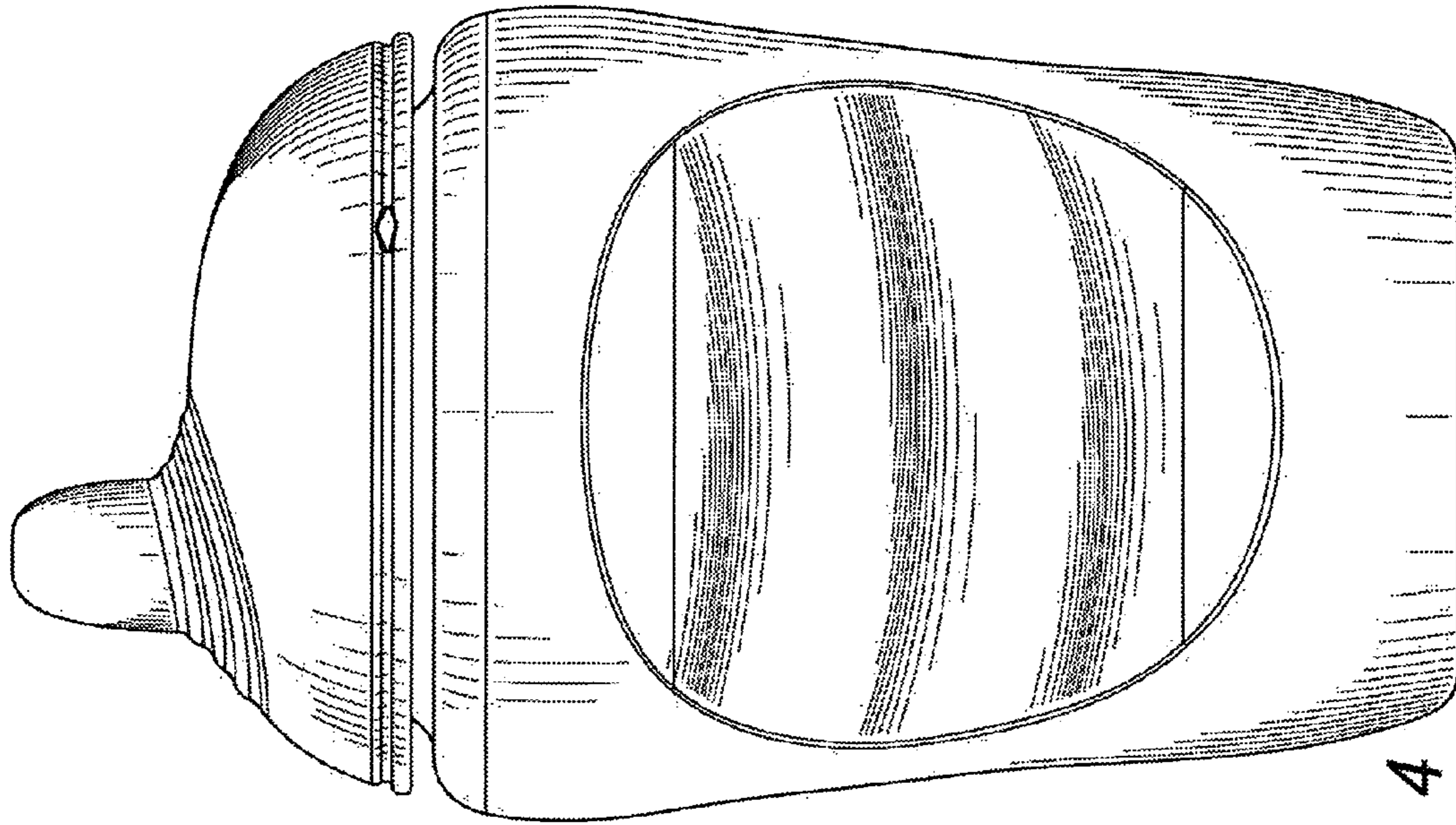


FIG. 3

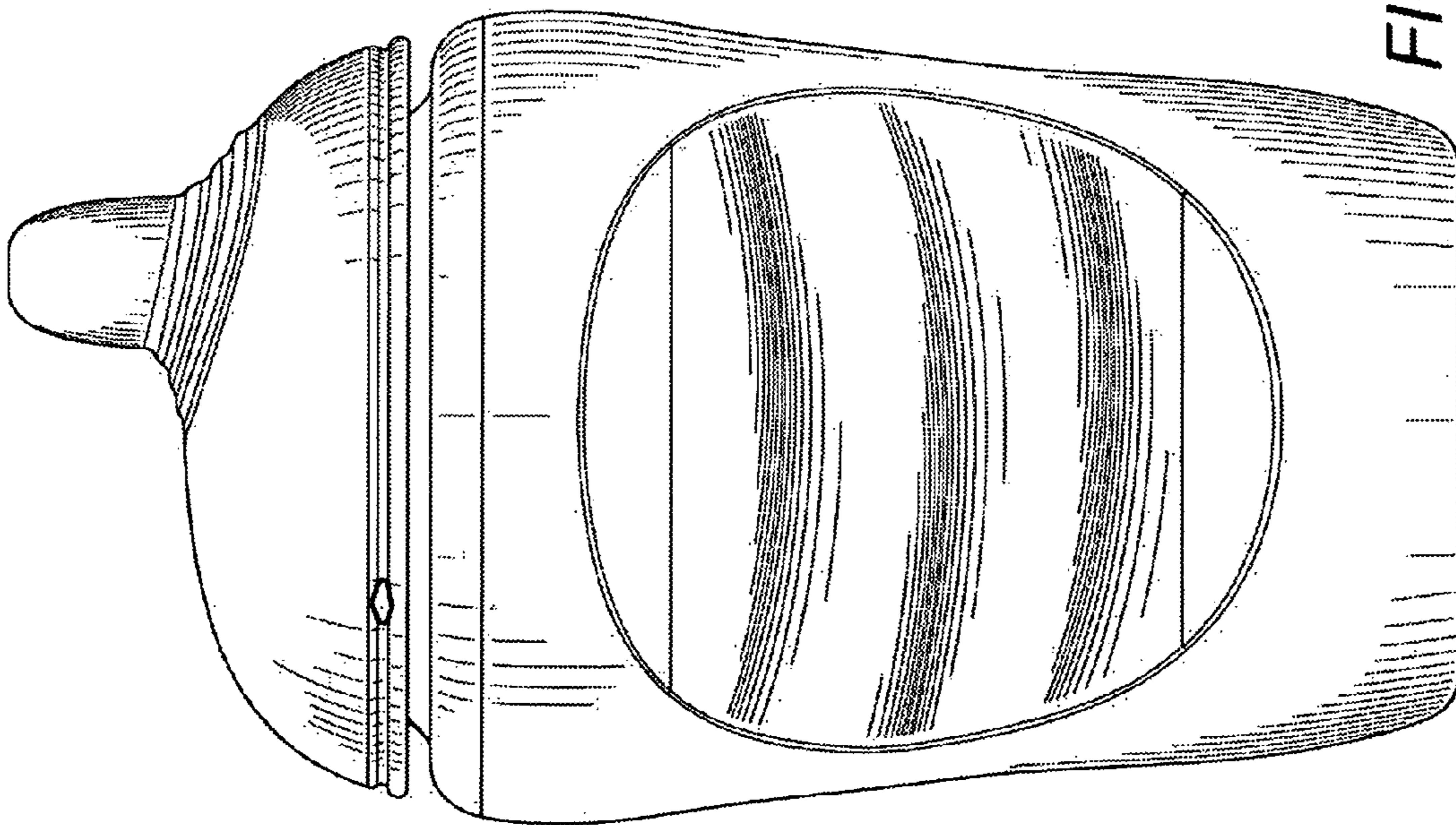


FIG. 4

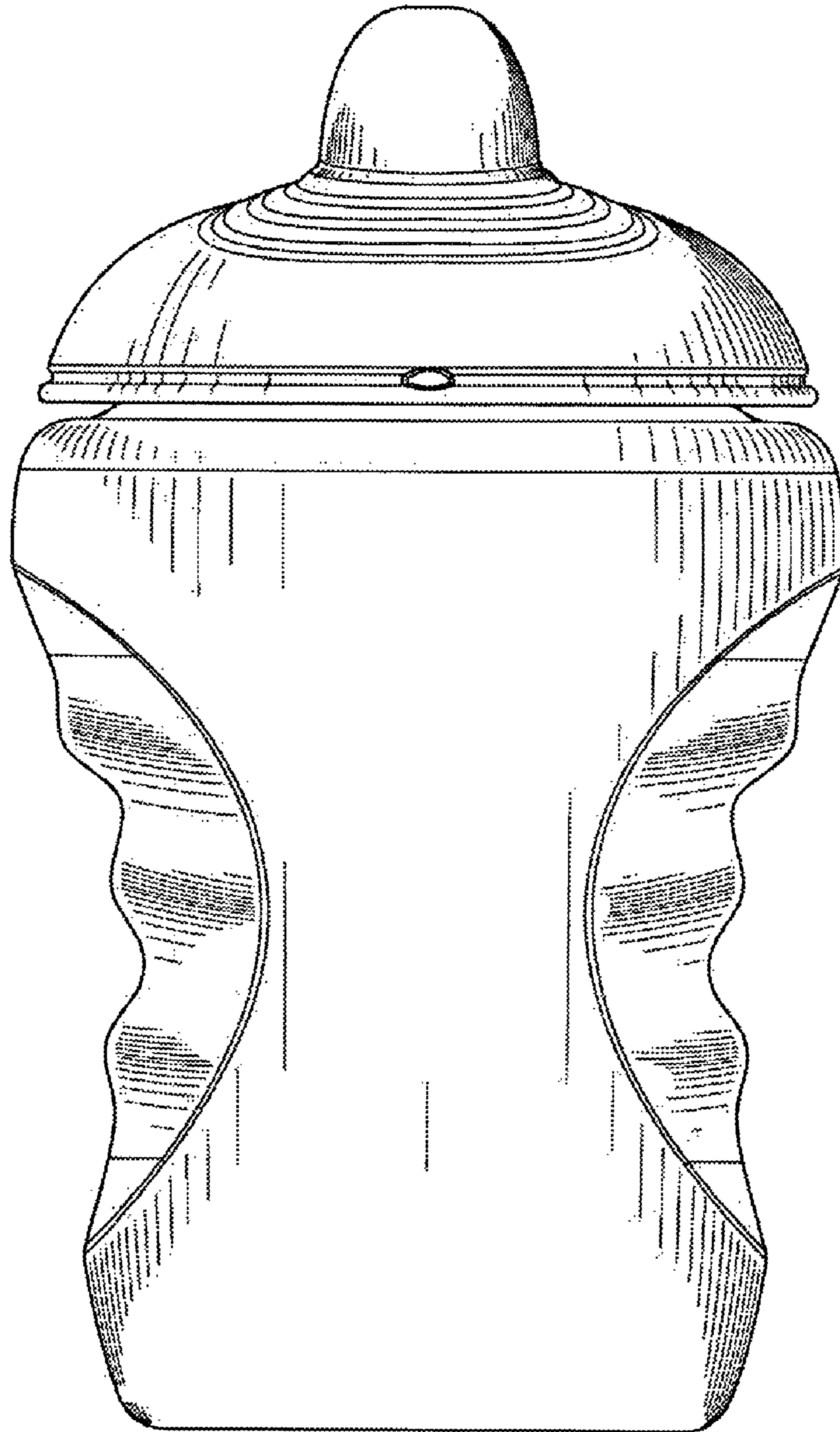


FIG. 5

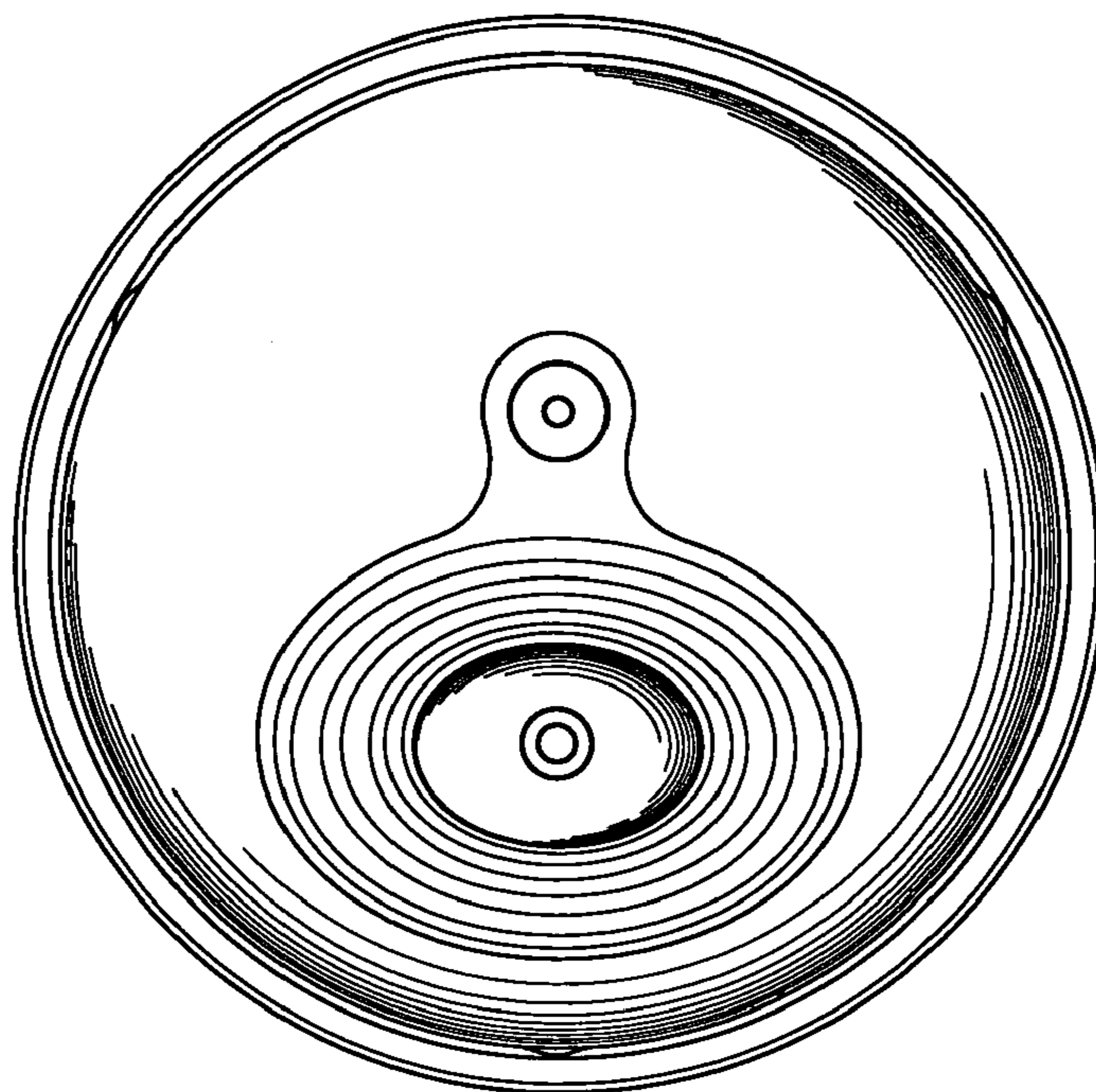


FIG. 6

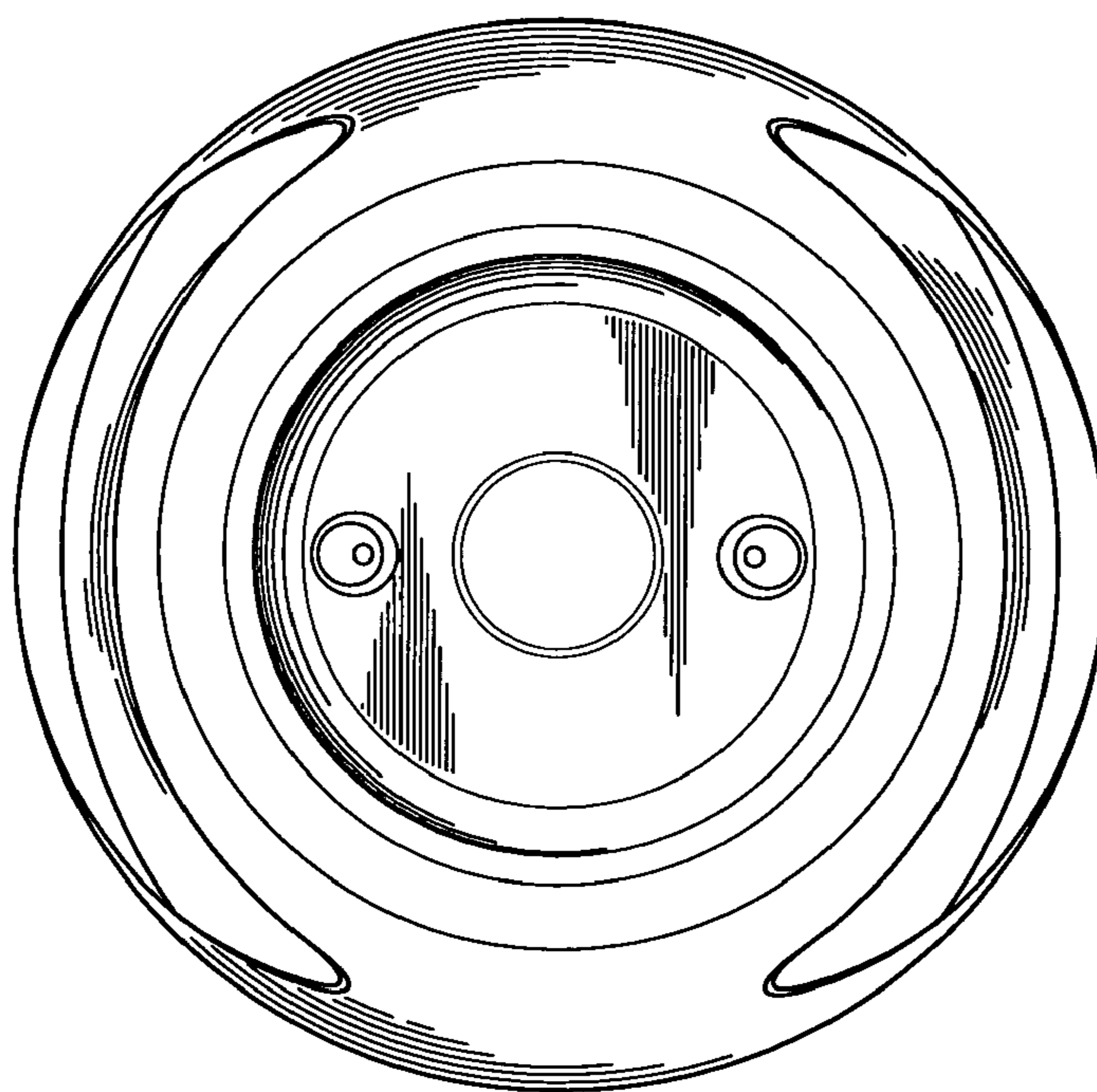


FIG. 7

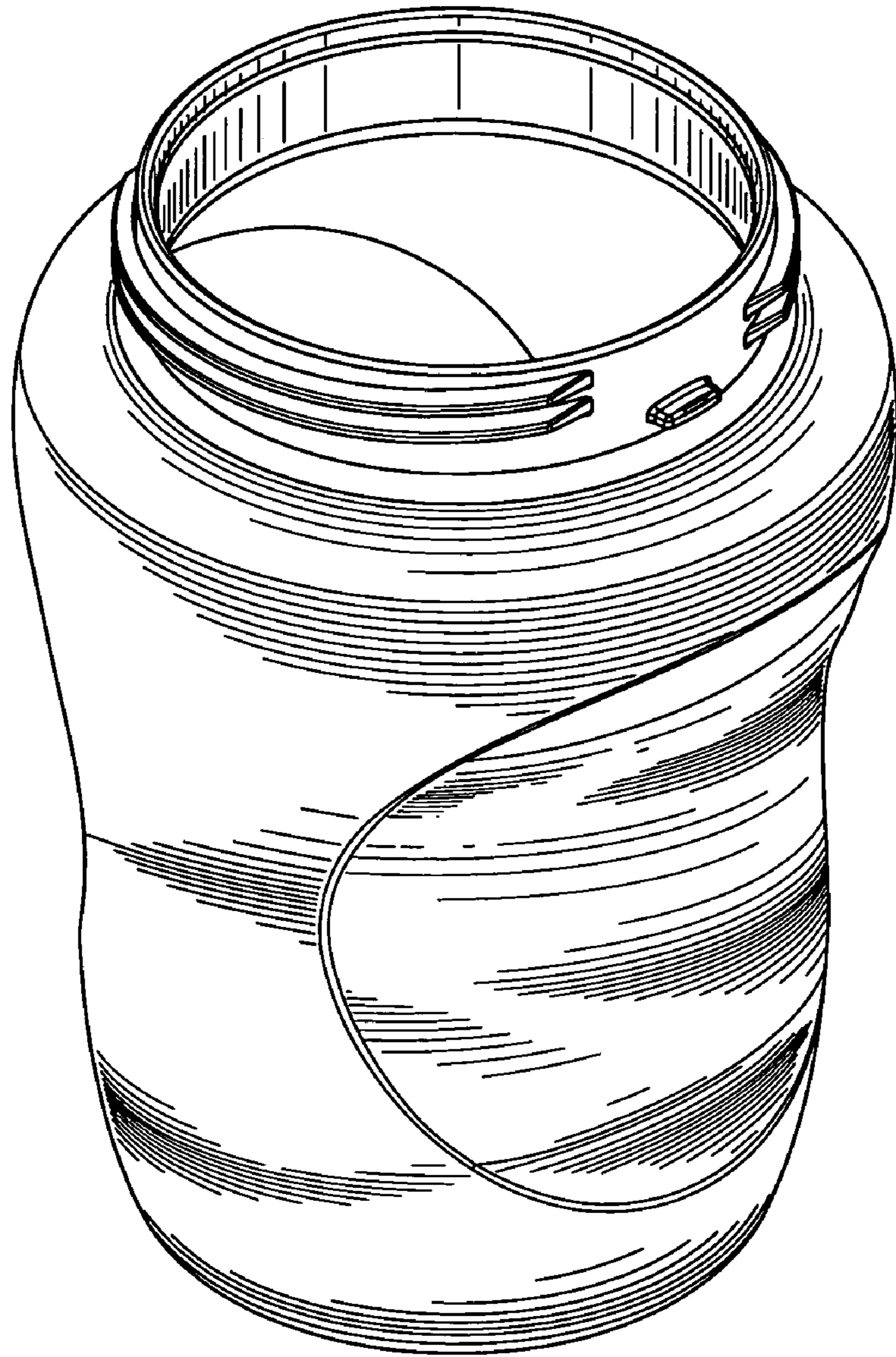


FIG. 8

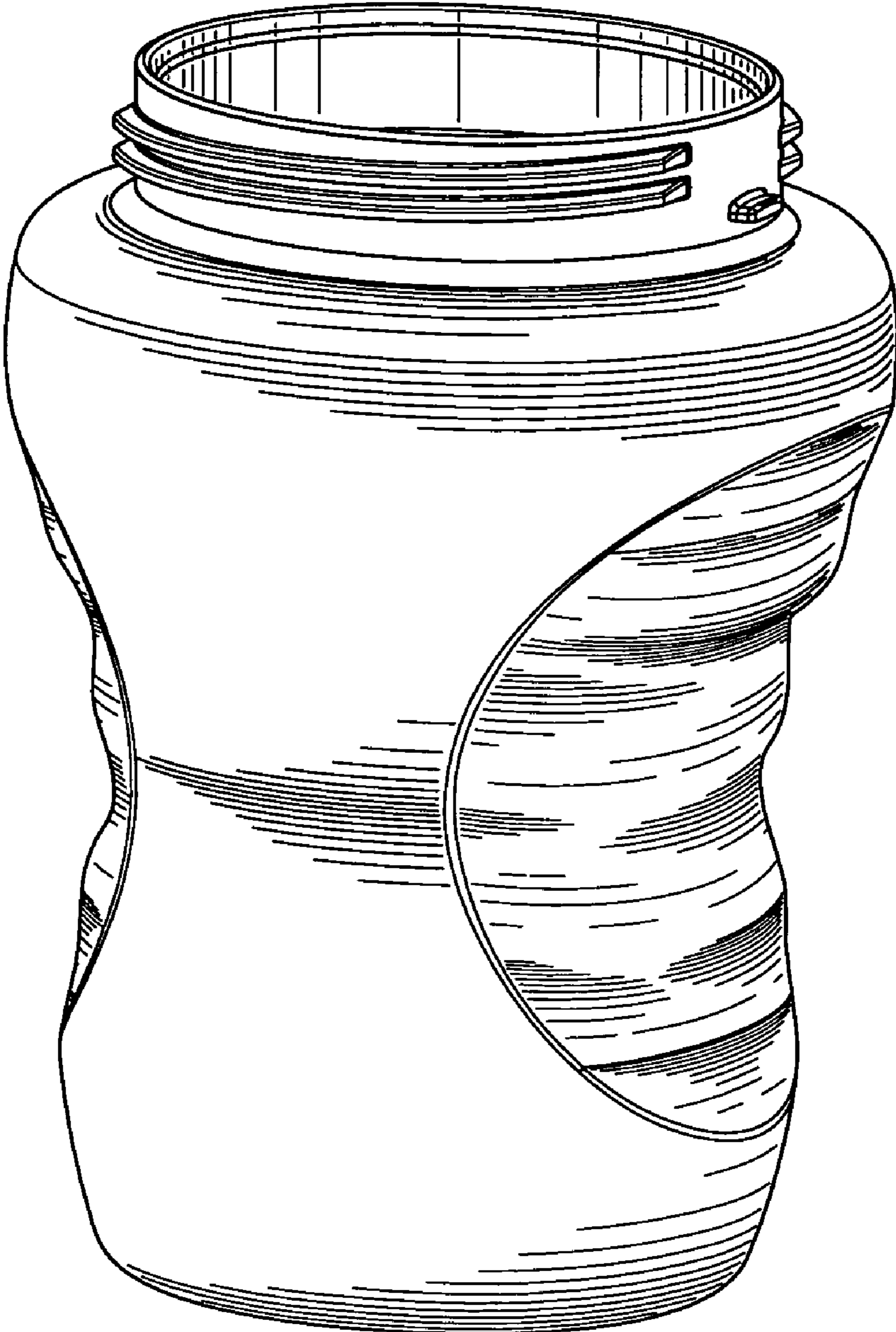


FIG. 9

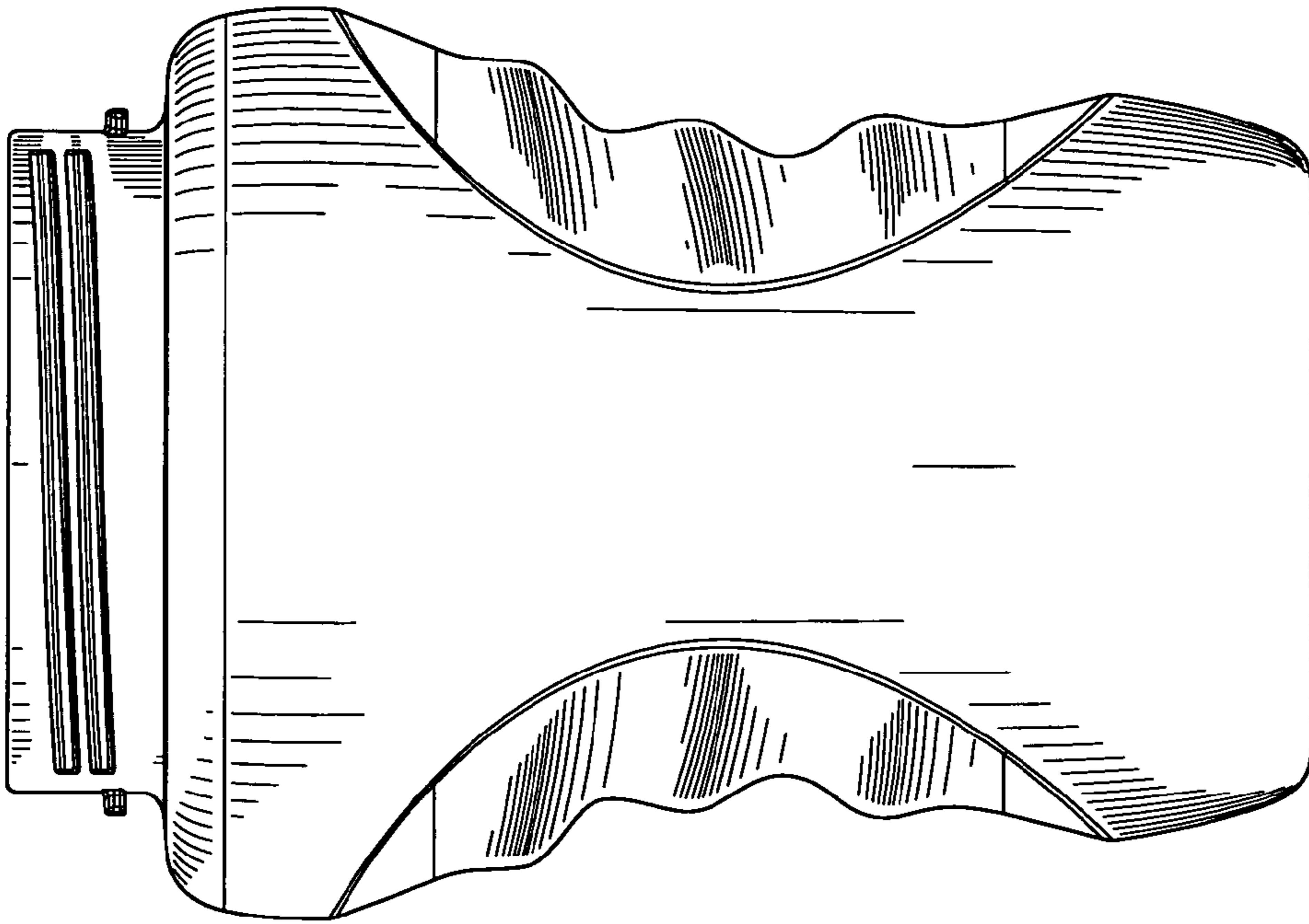


FIG. 11

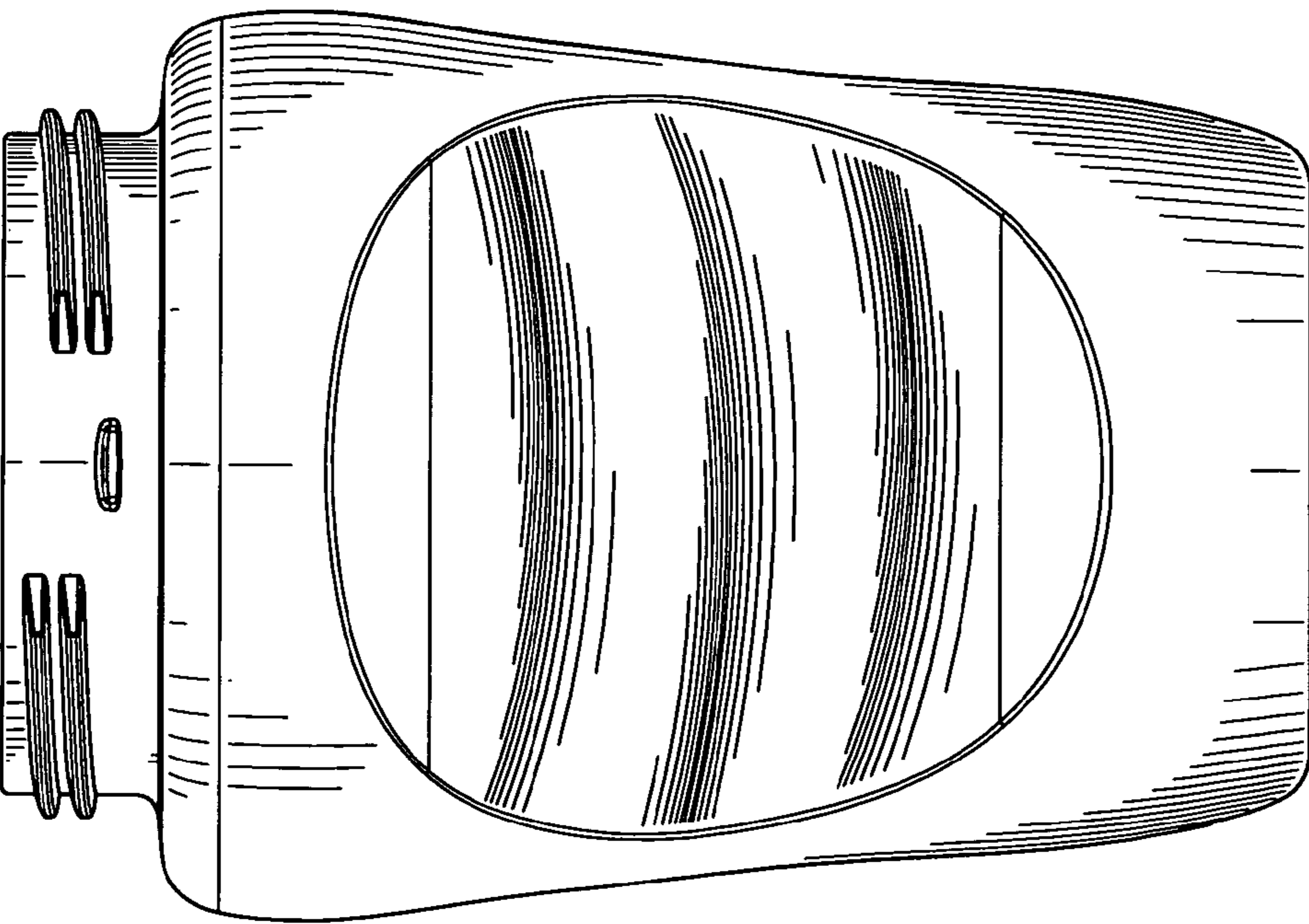


FIG. 10

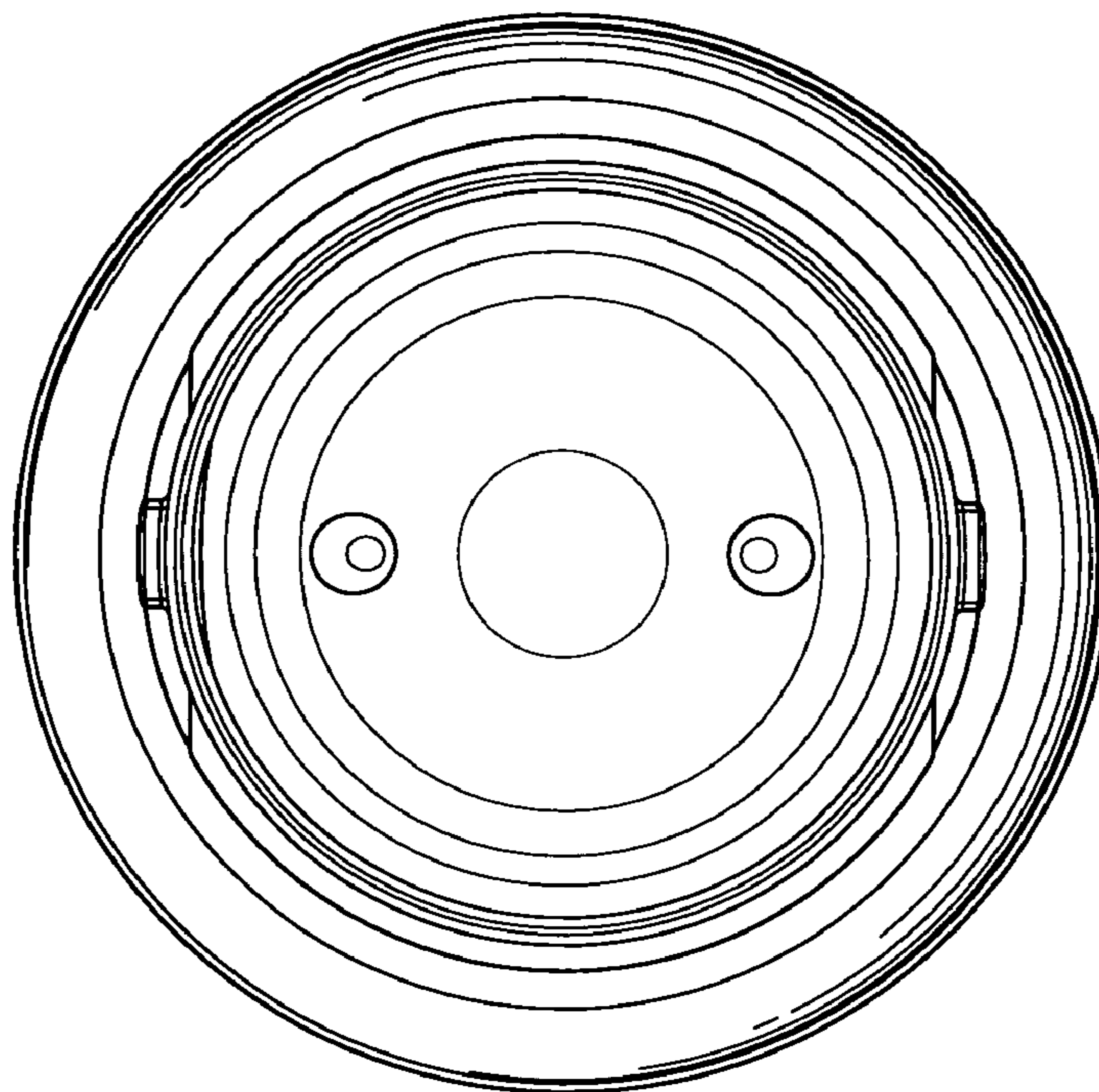


FIG. 12

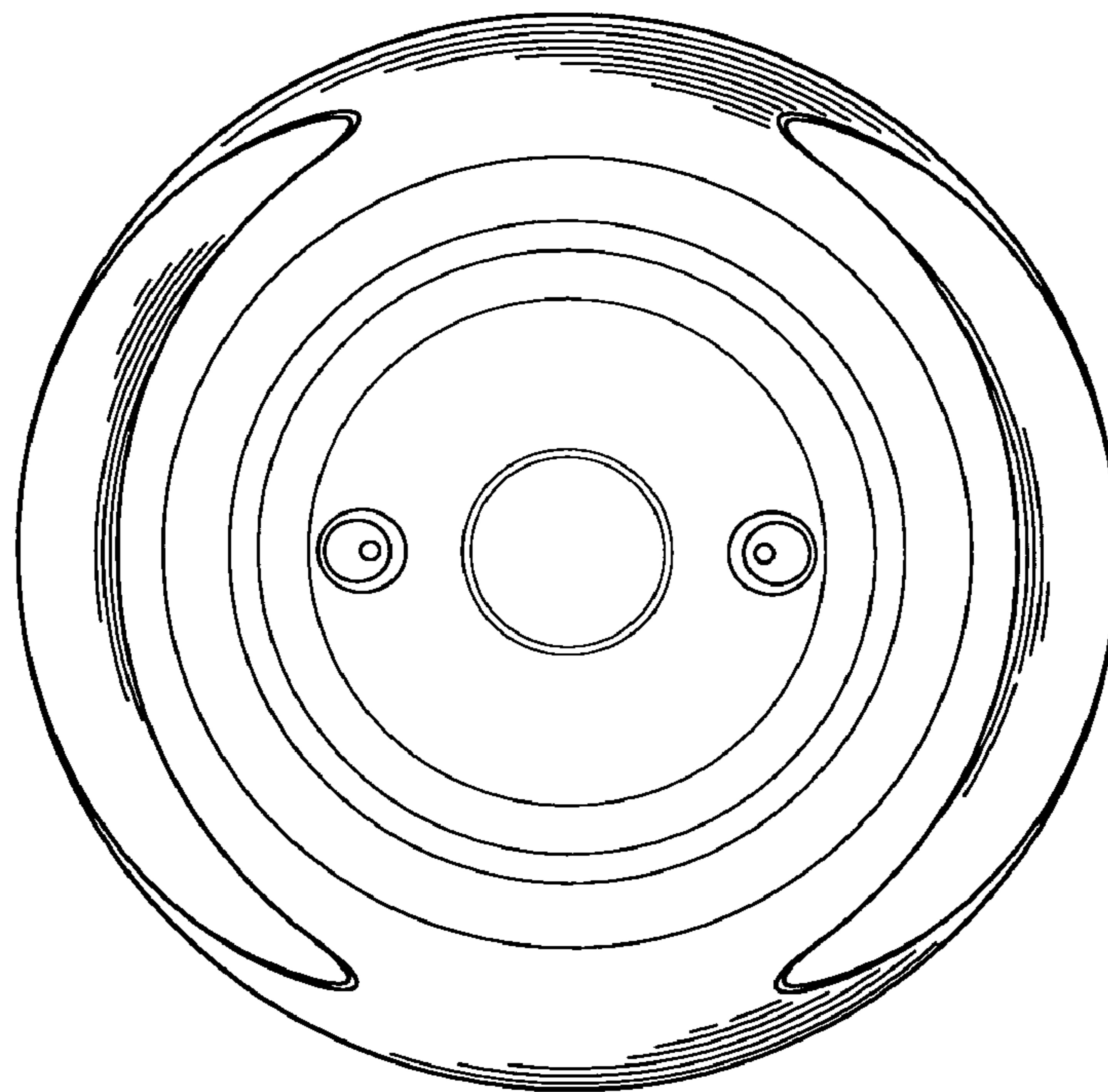


FIG. 13

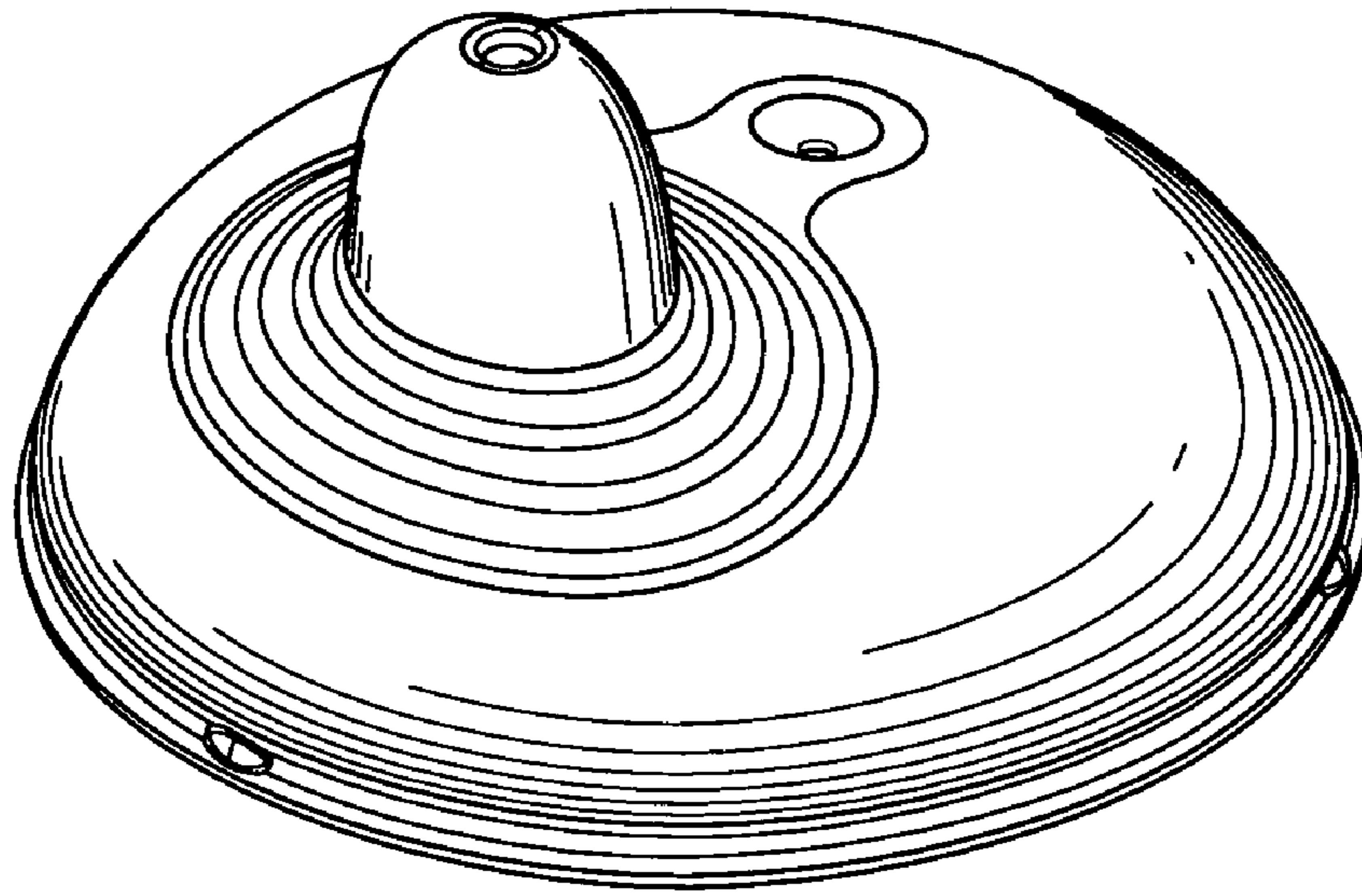


FIG. 14

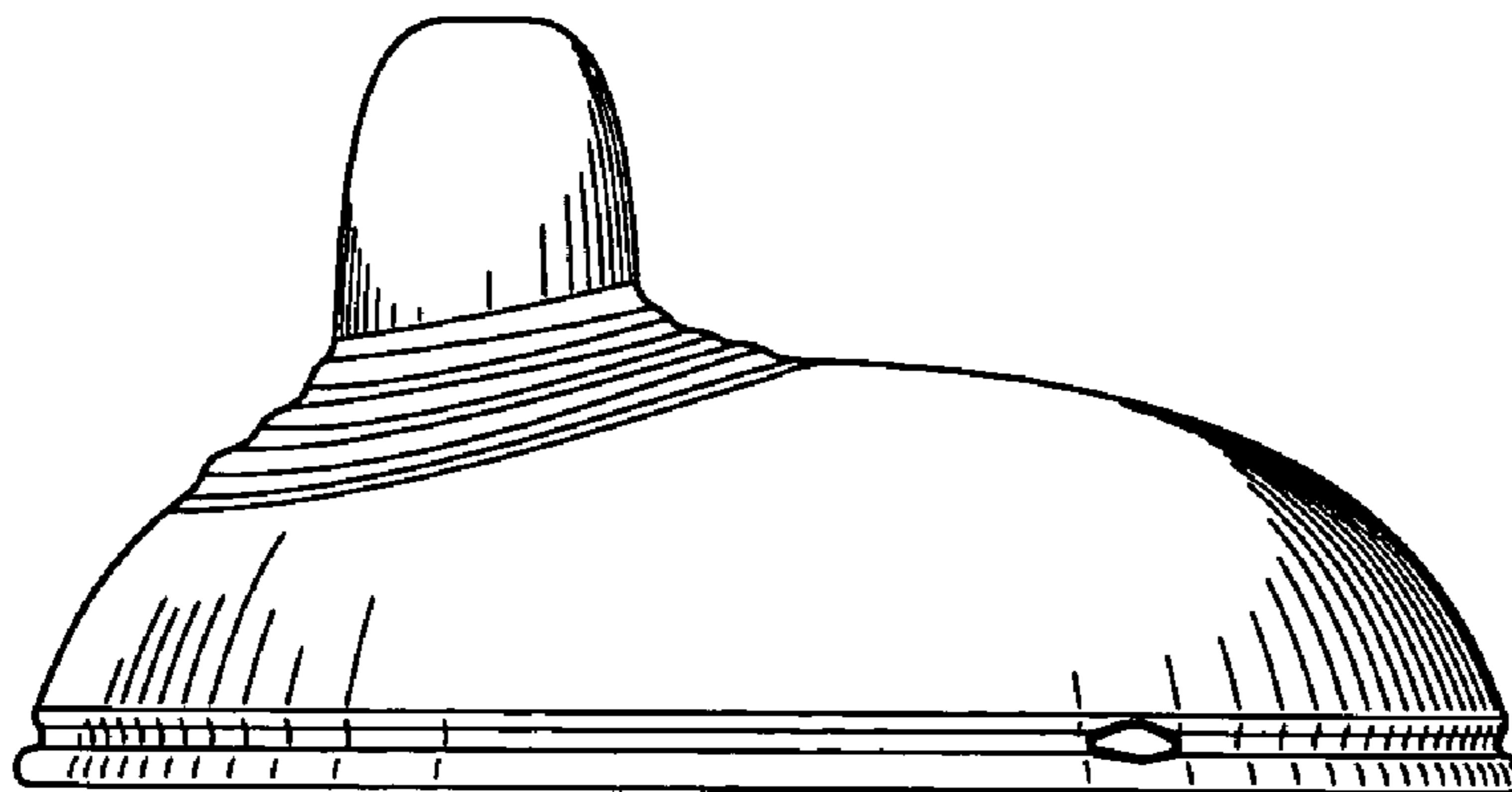


FIG. 15

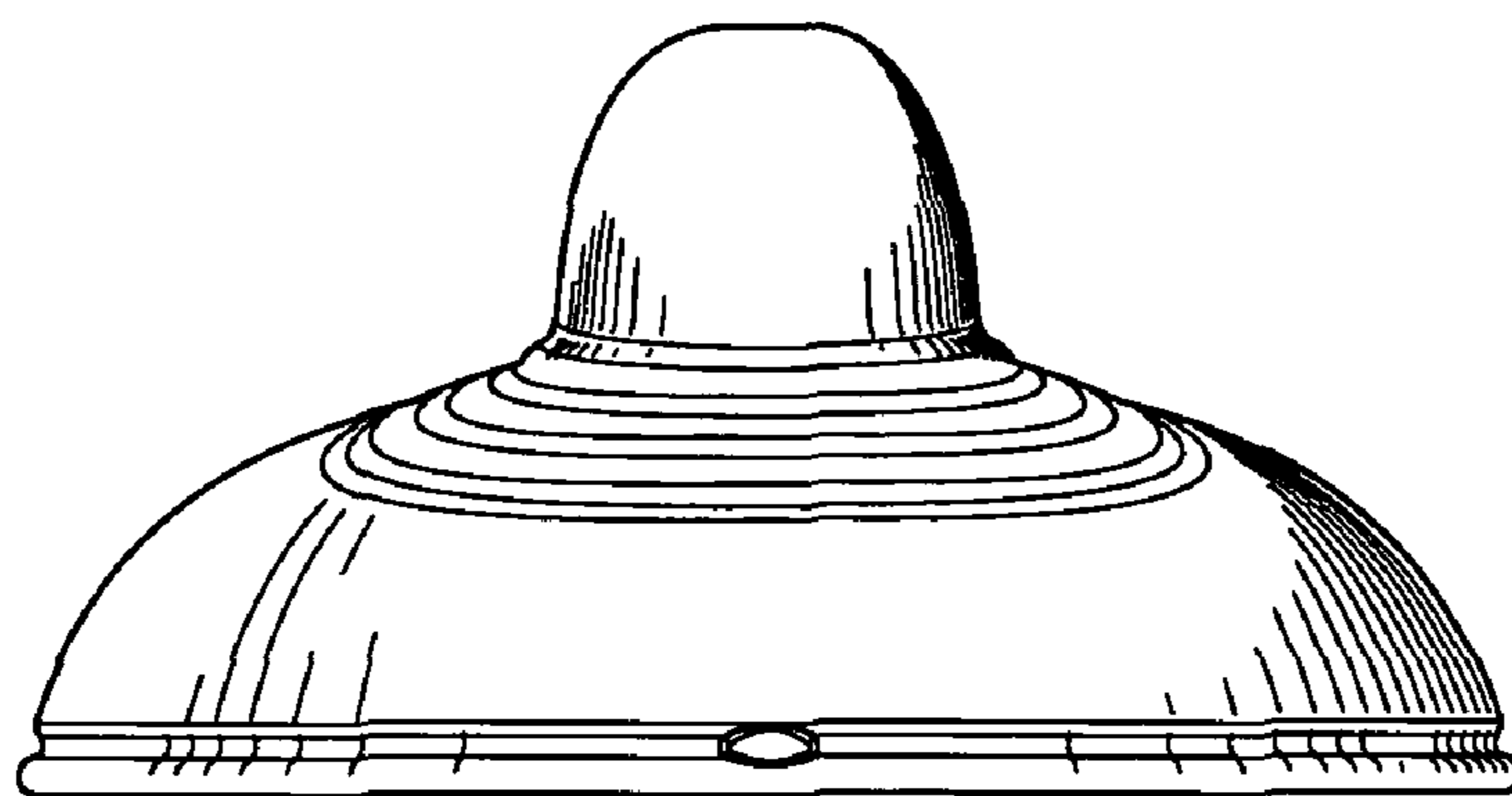


FIG. 16

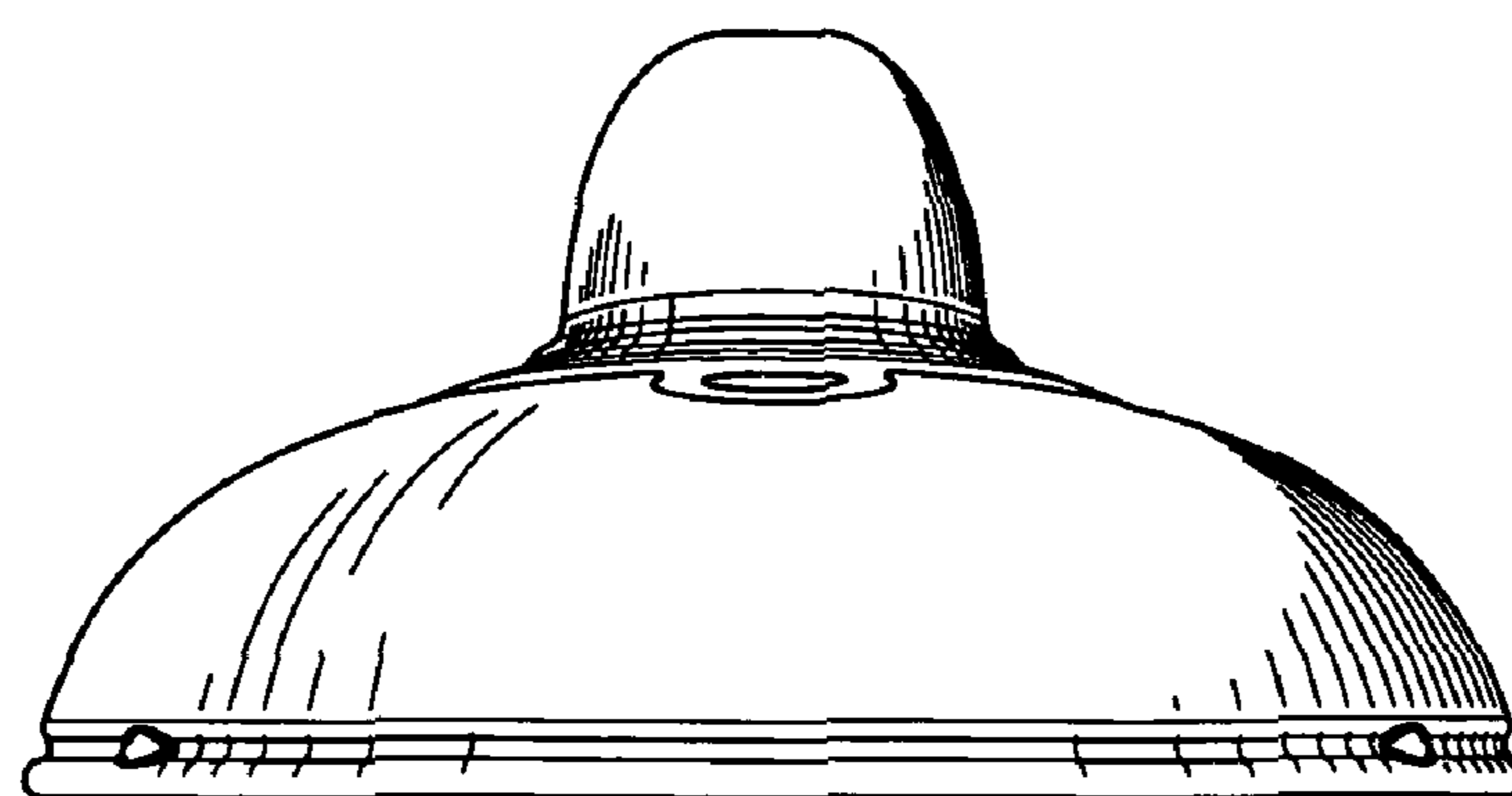


FIG. 17

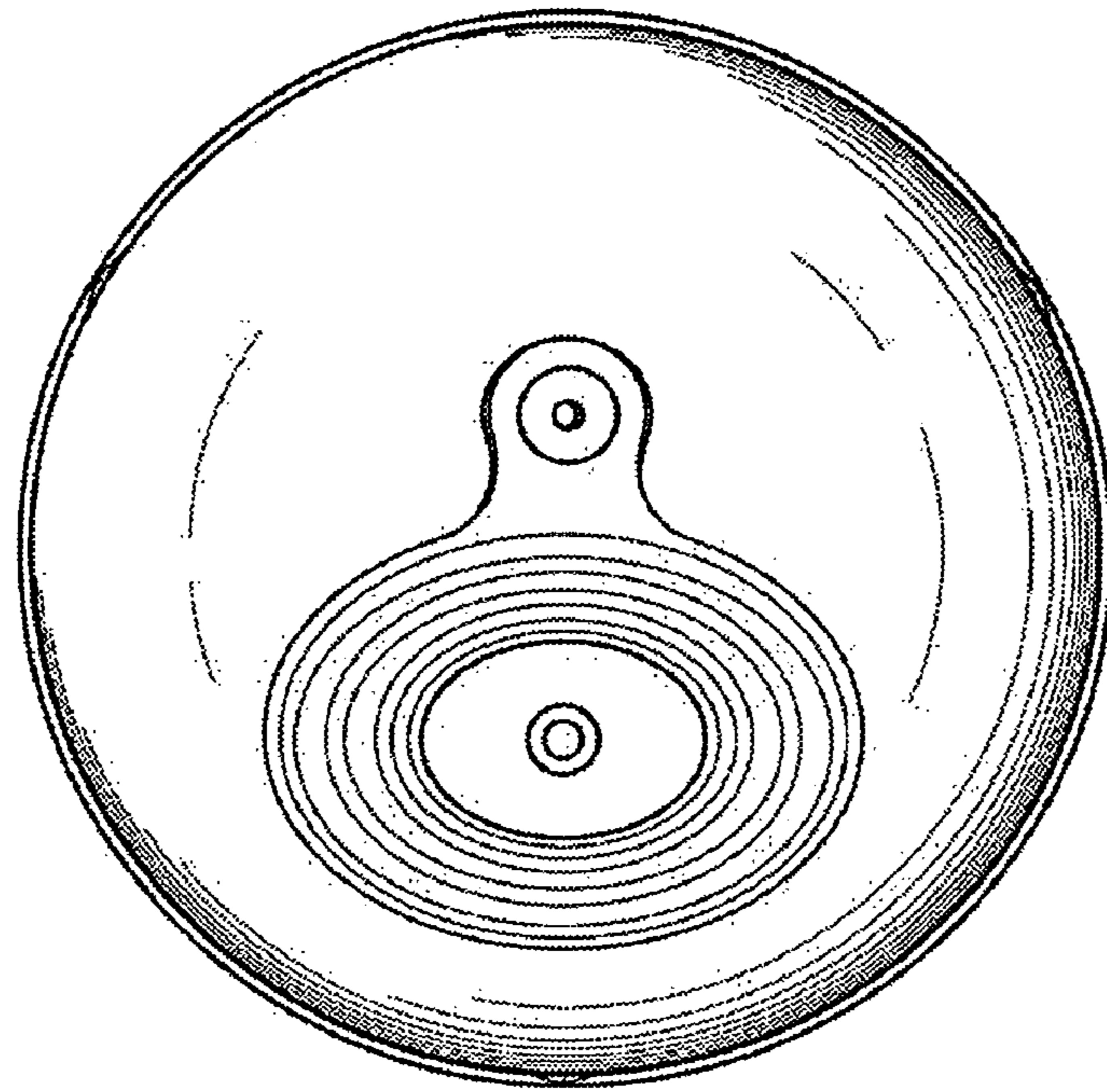


FIG. 18

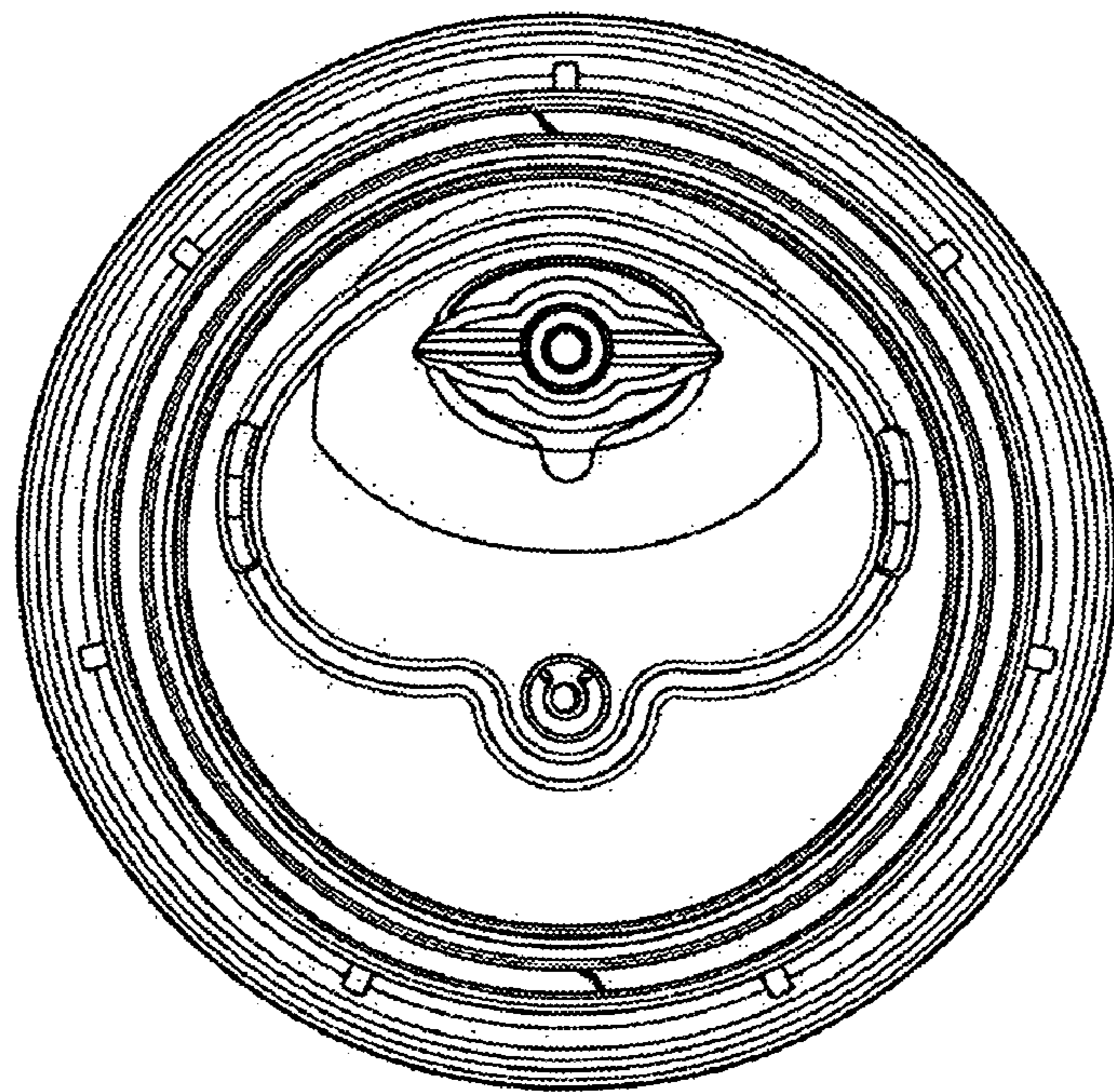


FIG. 19