



US00D642434S

(12) **United States Design Patent**  
**Schofield et al.**

(10) **Patent No.:** **US D642,434 S**

(45) **Date of Patent:** **\*\* Aug. 2, 2011**

(54) **DRINKING CUP**

*Primary Examiner* — Marianne Pandozzi

(74) *Attorney, Agent, or Firm* — Olson & Cepuritis, Ltd.

(75) Inventors: **Paul Schofield**, Middlesbrough (GB);  
**Ian Webb**, London (GB); **Mark**  
**Armstrong**, Gwynedd (GB); **Tom**  
**Cotton**, London (GB)

(73) Assignee: **Jackel International Limited**,  
Cramlington, Northumberland (GB)

(\*\*) Term: **14 Years**

(21) Appl. No.: **29/349,524**

(22) Filed: **Apr. 12, 2010**

(30) **Foreign Application Priority Data**

Oct. 12, 2009 (EM) ..... 0001171391-0013  
Oct. 12, 2009 (EM) ..... 0001171391-0014  
Oct. 12, 2009 (EM) ..... 0001171391-0015

(51) **LOC (9) Cl.** ..... **07-01**

(52) **U.S. Cl.** ..... **D7/510; D7/511; D24/197**

(58) **Field of Classification Search** ..... D7/510,  
D7/511, 534, 509; 215/11.1; 220/714; D24/197  
See application file for complete search history.

(56) **References Cited**

U.S. PATENT DOCUMENTS

D356,160 S \* 3/1995 Cautereels ..... D24/197  
D469,322 S \* 1/2003 Jørgensen ..... D7/653  
D511,385 S \* 11/2005 Lieberman et al. .... D24/197  
D545,623 S \* 7/2007 Renz et al. .... D7/510  
D609,527 S \* 2/2010 Roehrig et al. .... D7/510  
D617,465 S \* 6/2010 Hakim ..... D24/197  
D619,851 S \* 7/2010 Miller et al. .... D7/510  
D620,309 S \* 7/2010 Boonprasop ..... D7/396.2  
D620,315 S \* 7/2010 Boonprasop ..... D7/509  
D626,246 S \* 10/2010 Rees et al. .... D24/197

\* cited by examiner

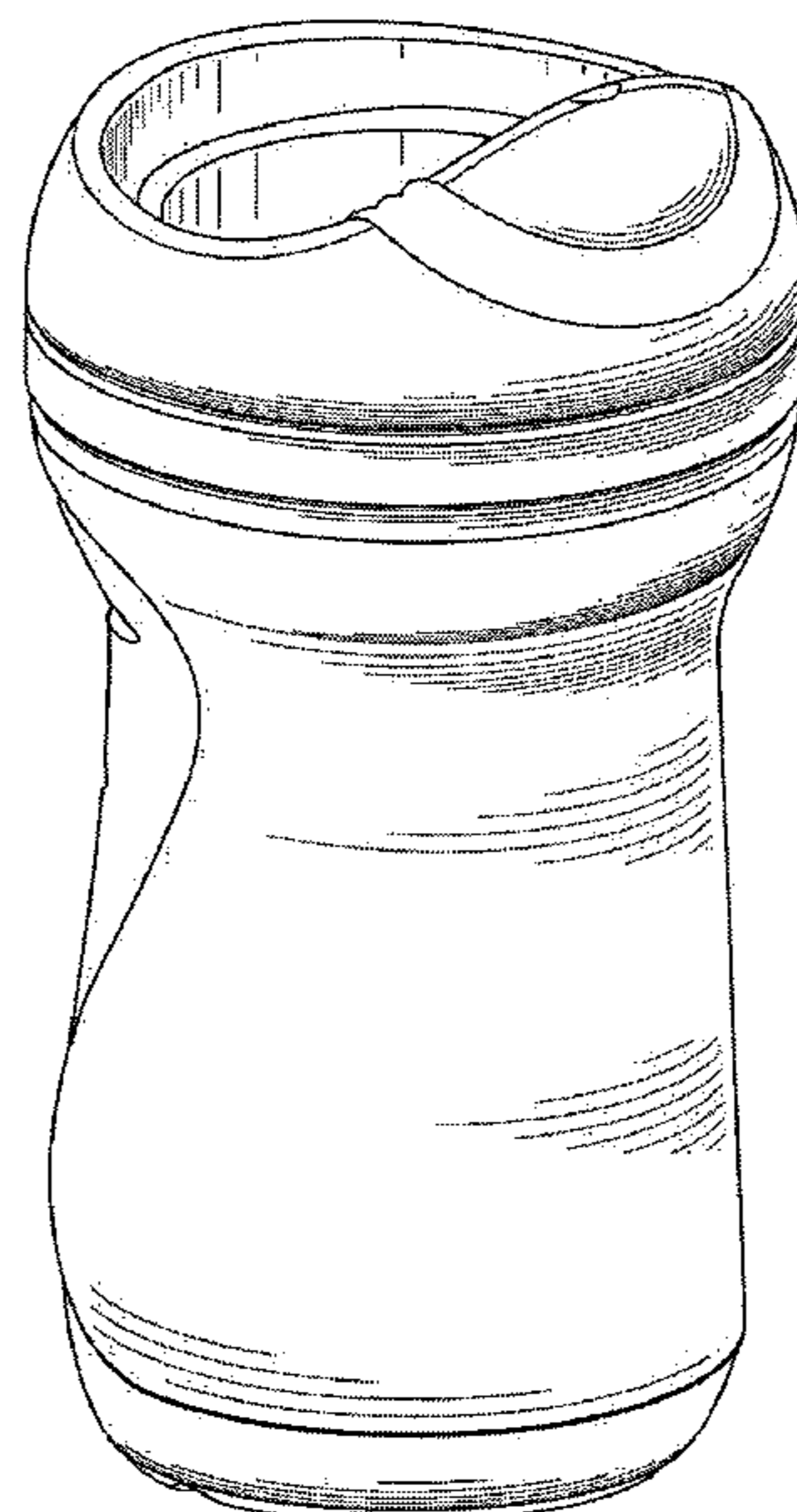
(57) **CLAIM**

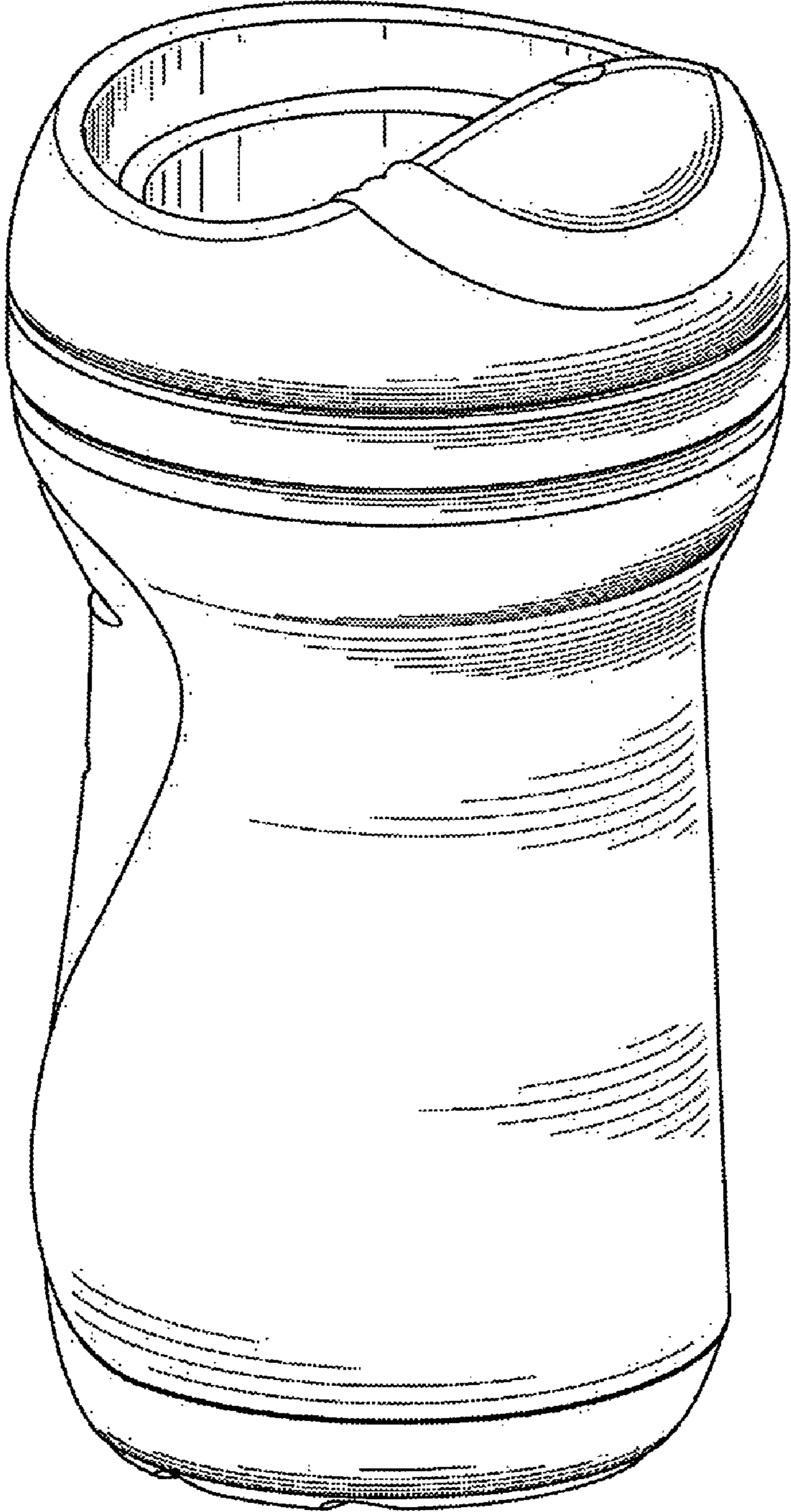
The ornamental design for a drinking cup, as shown and described.

**DESCRIPTION**

FIG. 1 is a perspective view of a drinking cup of our design with a base and lid having a drinking spout;  
FIG. 2 is a side elevational view of the drinking cup of FIG. 1;  
FIG. 3 is another side elevational view of the drinking cup of FIG. 1, which is a mirror image of the side elevation view of FIG. 2;  
FIG. 4 is a front elevational view of the drinking cup of FIG. 1;  
FIG. 5 is a rear elevational view of the drinking cup of FIG. 1;  
FIG. 6 is a top plan view of the drinking cup of FIG. 1;  
FIG. 7 is a bottom plan view of the drinking cup of FIG. 1;  
FIG. 8 is a perspective view of a drinking cup showing our new design with the lid removed for ease of illustration;  
FIG. 9 is a rear elevational view of FIG. 8;  
FIG. 10 is a front elevational view of FIG. 8;  
FIG. 11 is a top plan view of FIG. 8;  
FIG. 12 is a bottom plan view of FIG. 8;  
FIG. 13 is a side elevational view of FIG. 8;  
FIG. 14 is a perspective view of a drinking cup showing our new design with the base removed for ease of illustration;  
FIG. 15 is a front elevational view of FIG. 14;  
FIG. 16 is a rear elevational view of FIG. 14;  
FIG. 17 is a top plan view of FIG. 14;  
FIG. 18 is a bottom plan view of FIG. 14; and,  
FIG. 19 is a side elevational view of FIG. 14.

**1 Claim, 12 Drawing Sheets**





**FIG. 1**

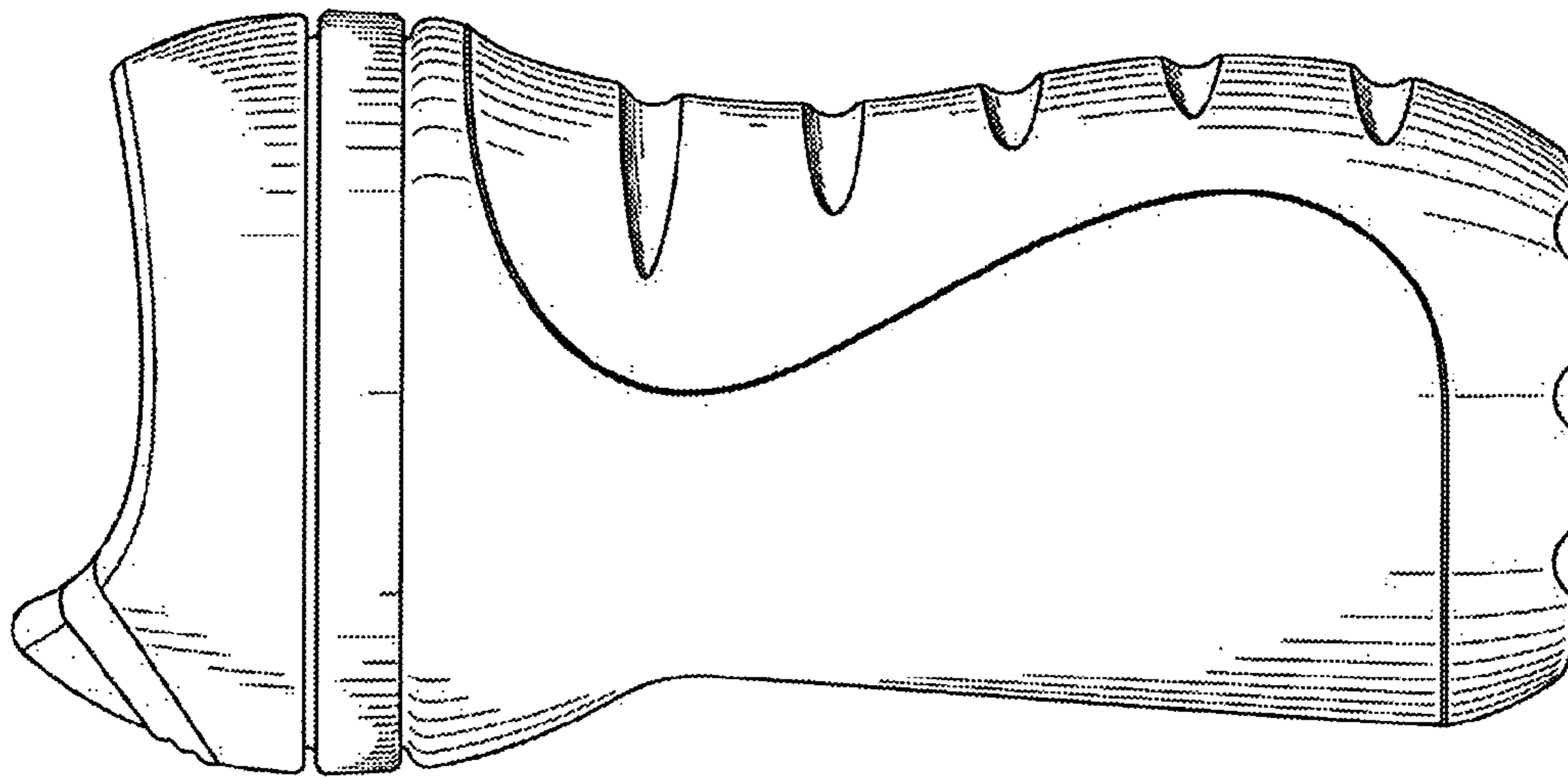


FIG. 3

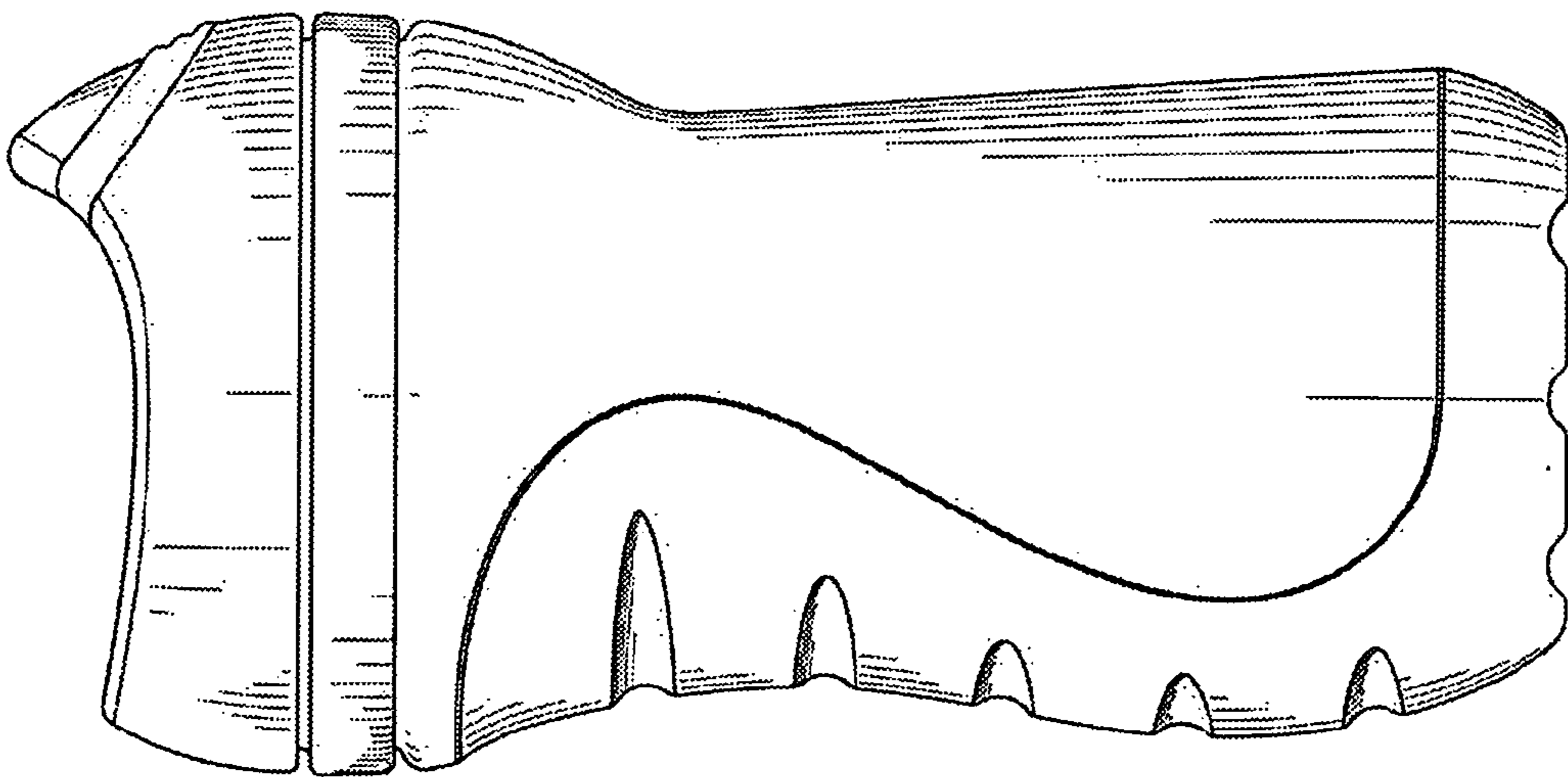


FIG. 2

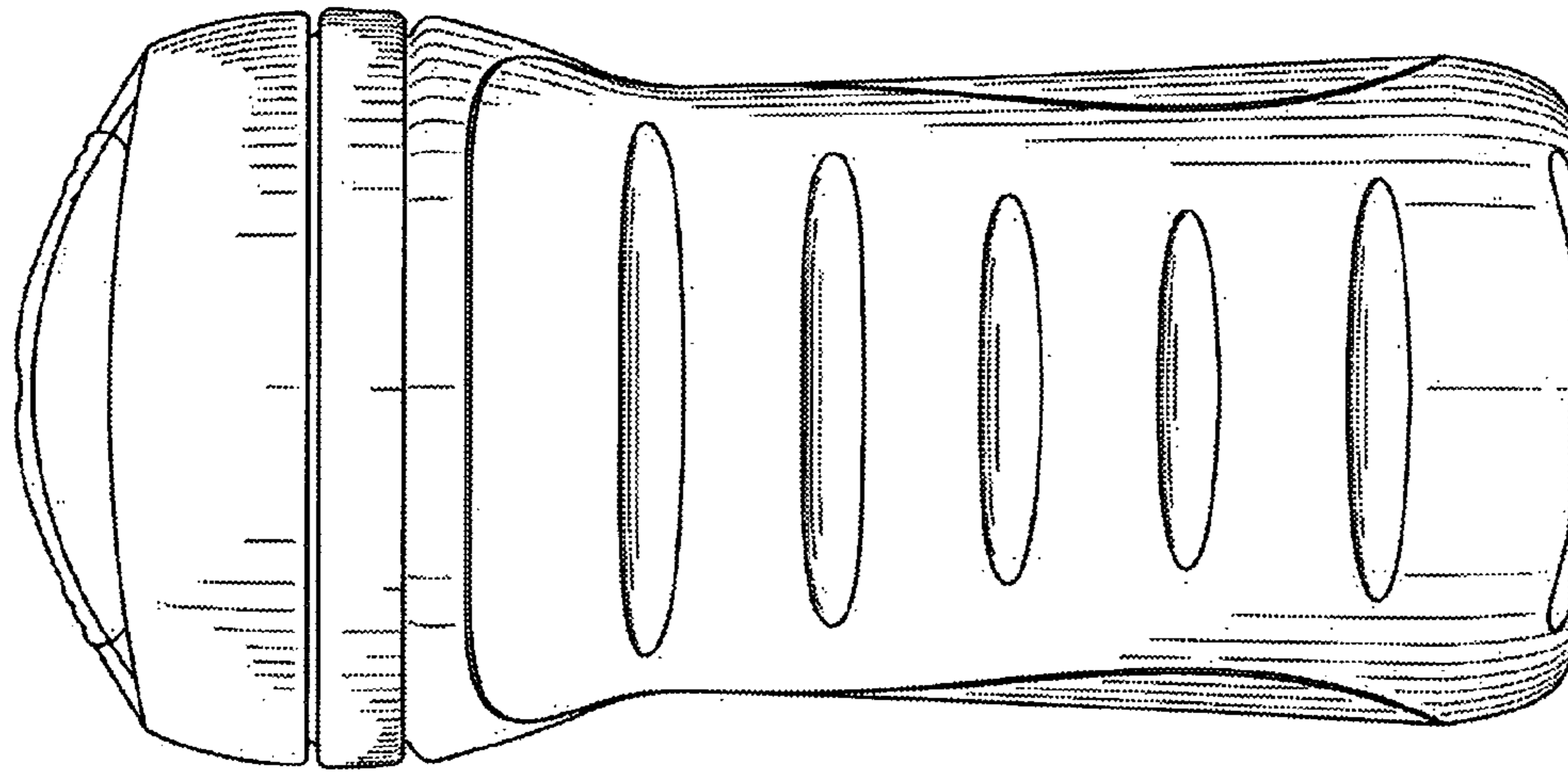


FIG. 5

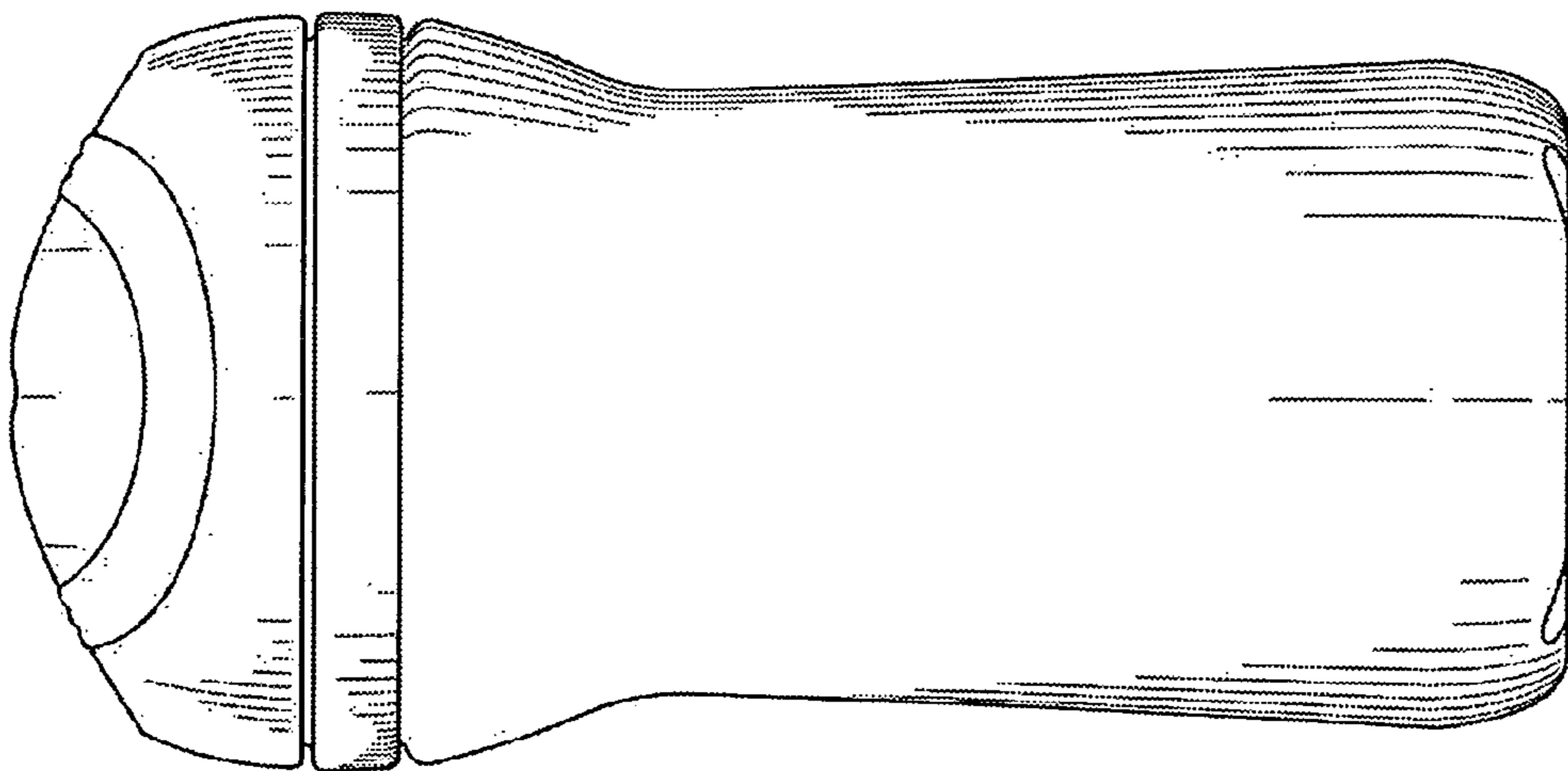
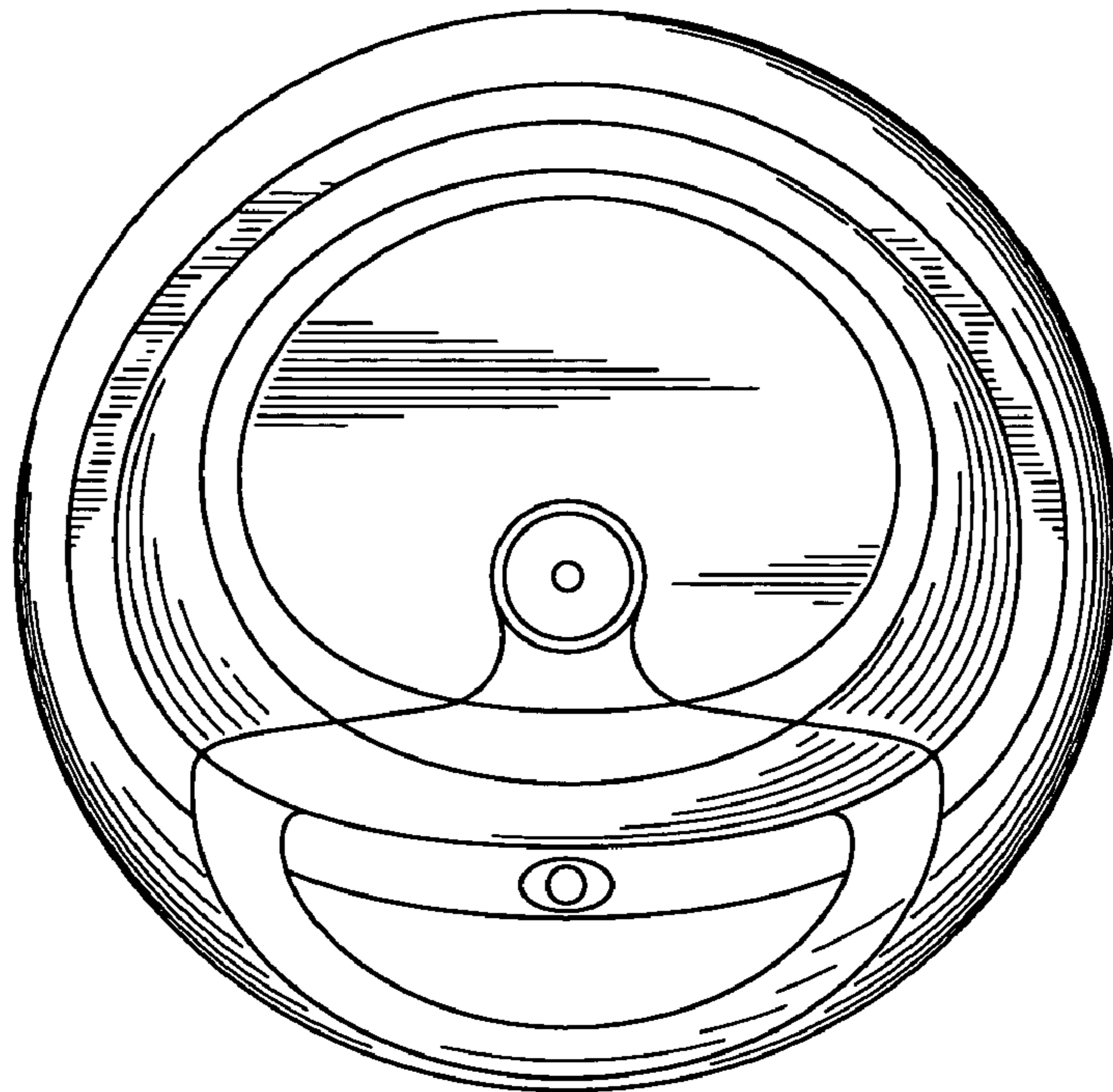
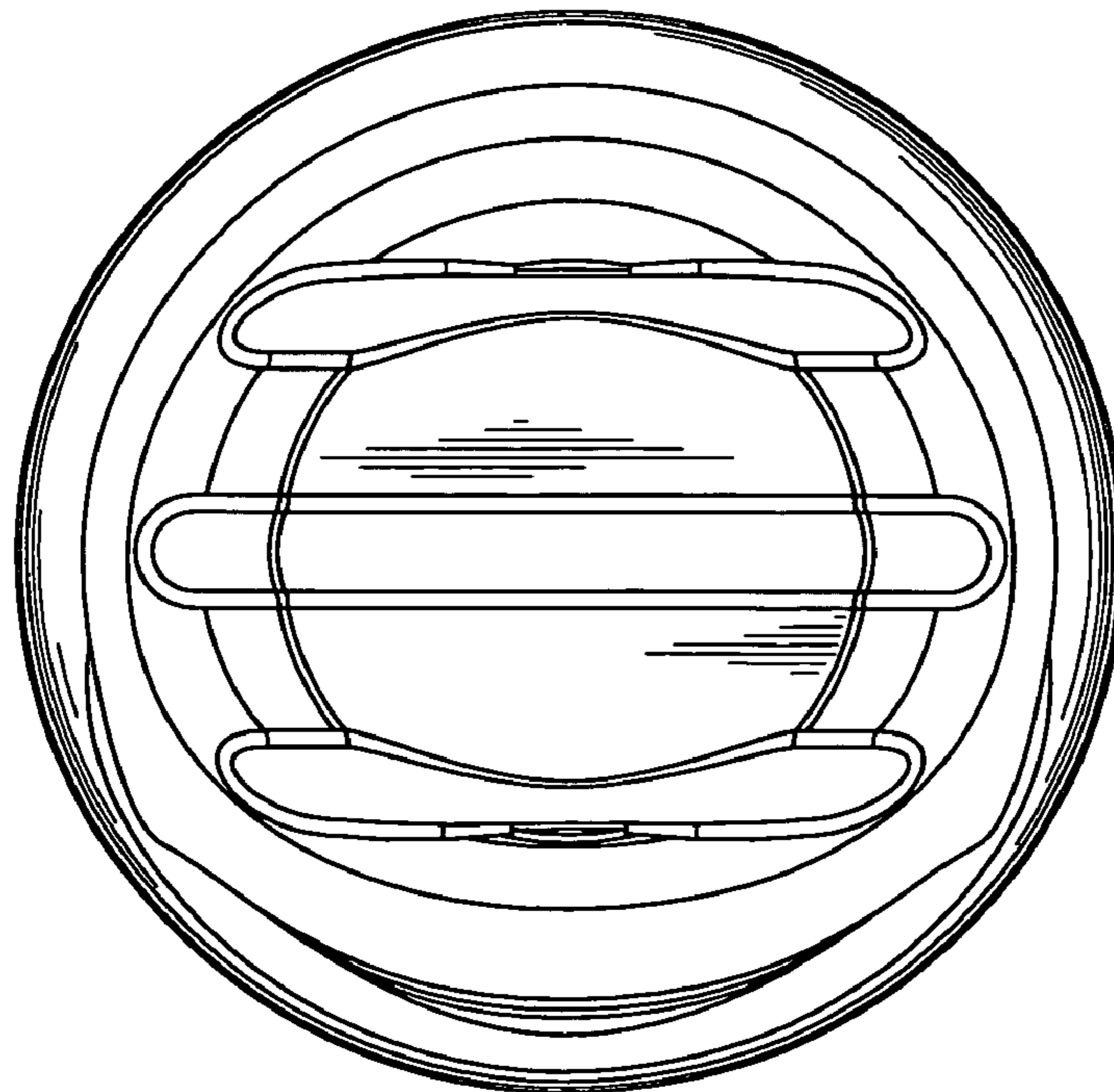


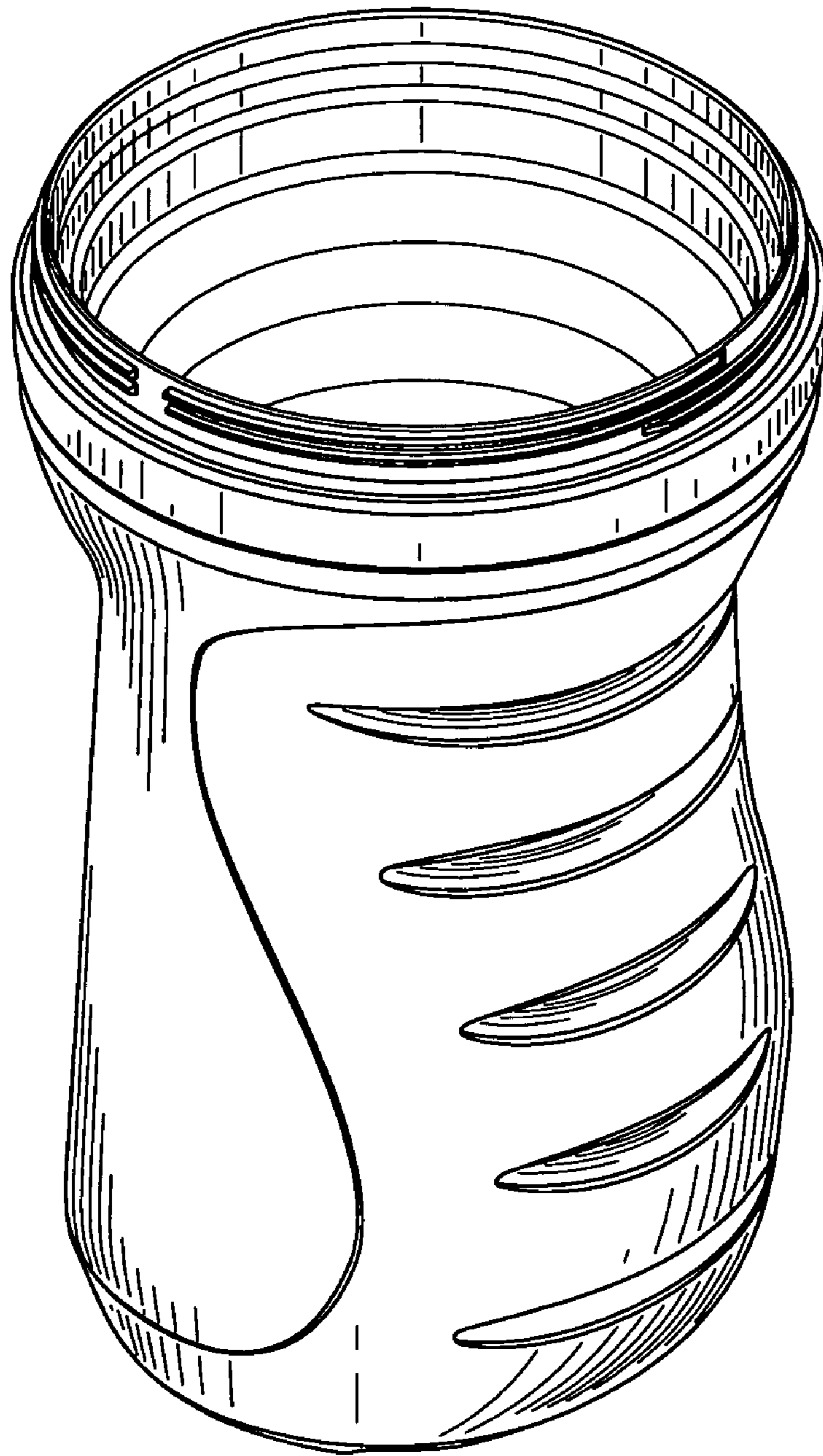
FIG. 4



**FIG. 6**



**FIG. 7**



**FIG. 8**

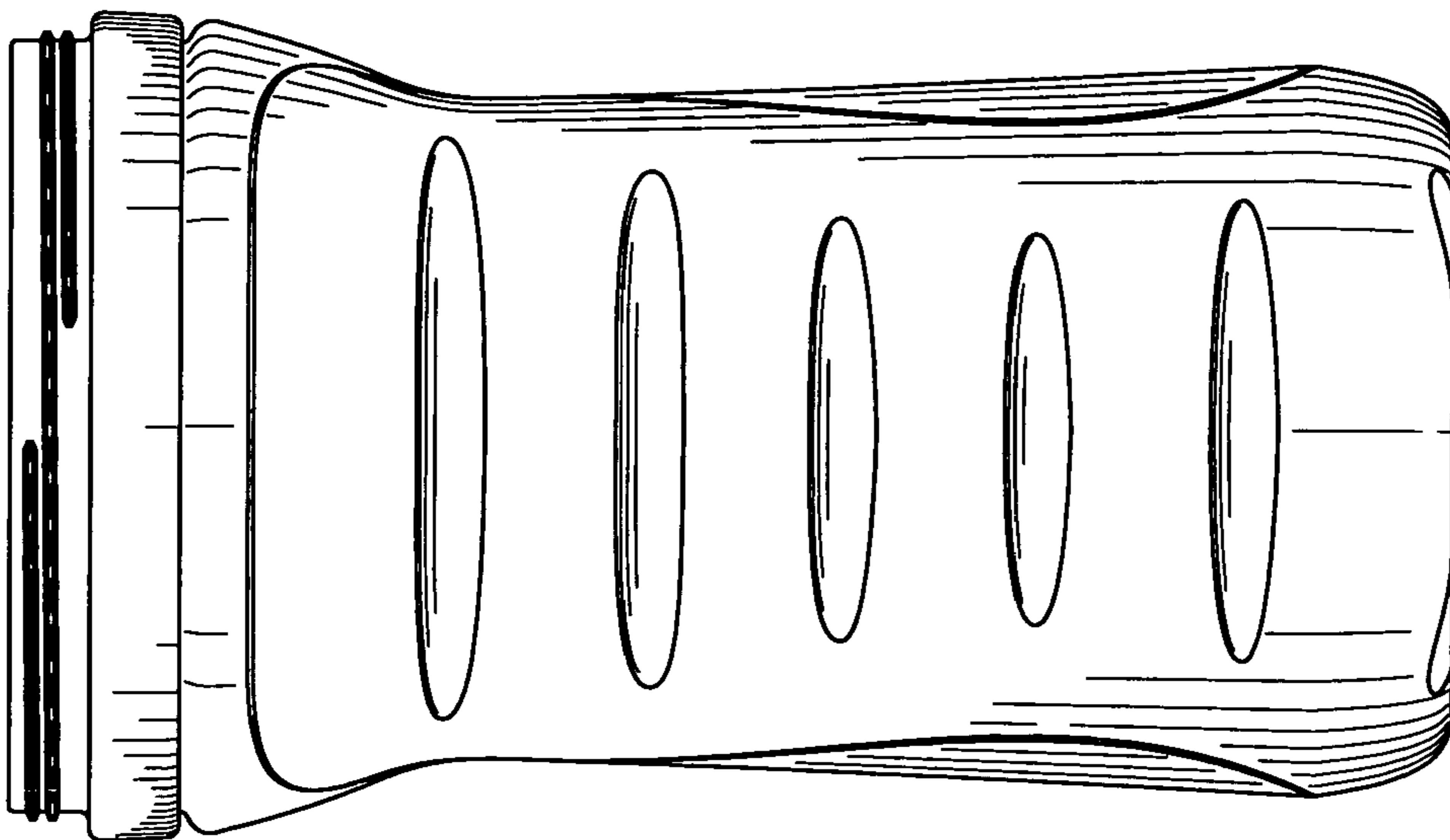


FIG. 10

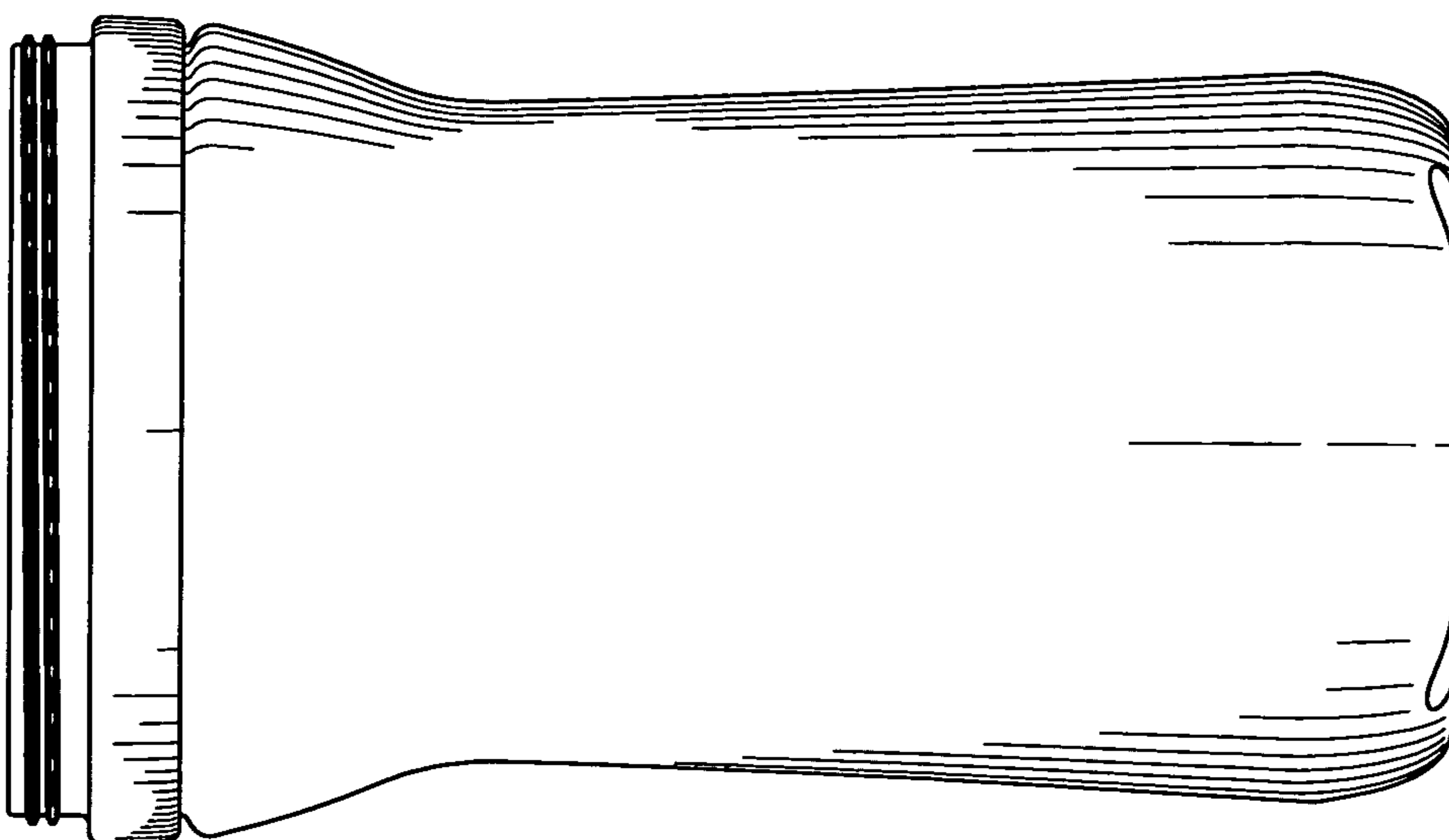
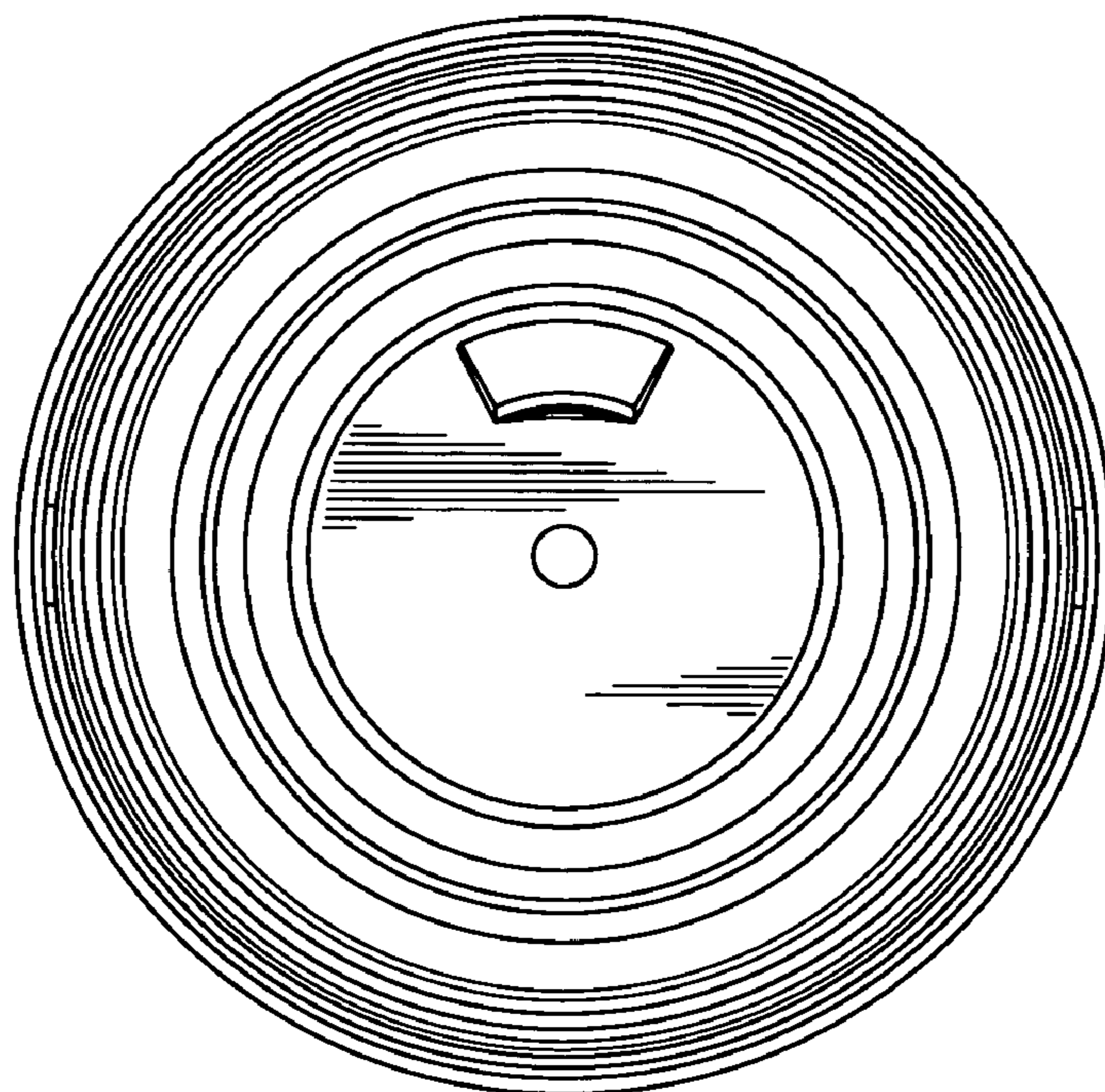
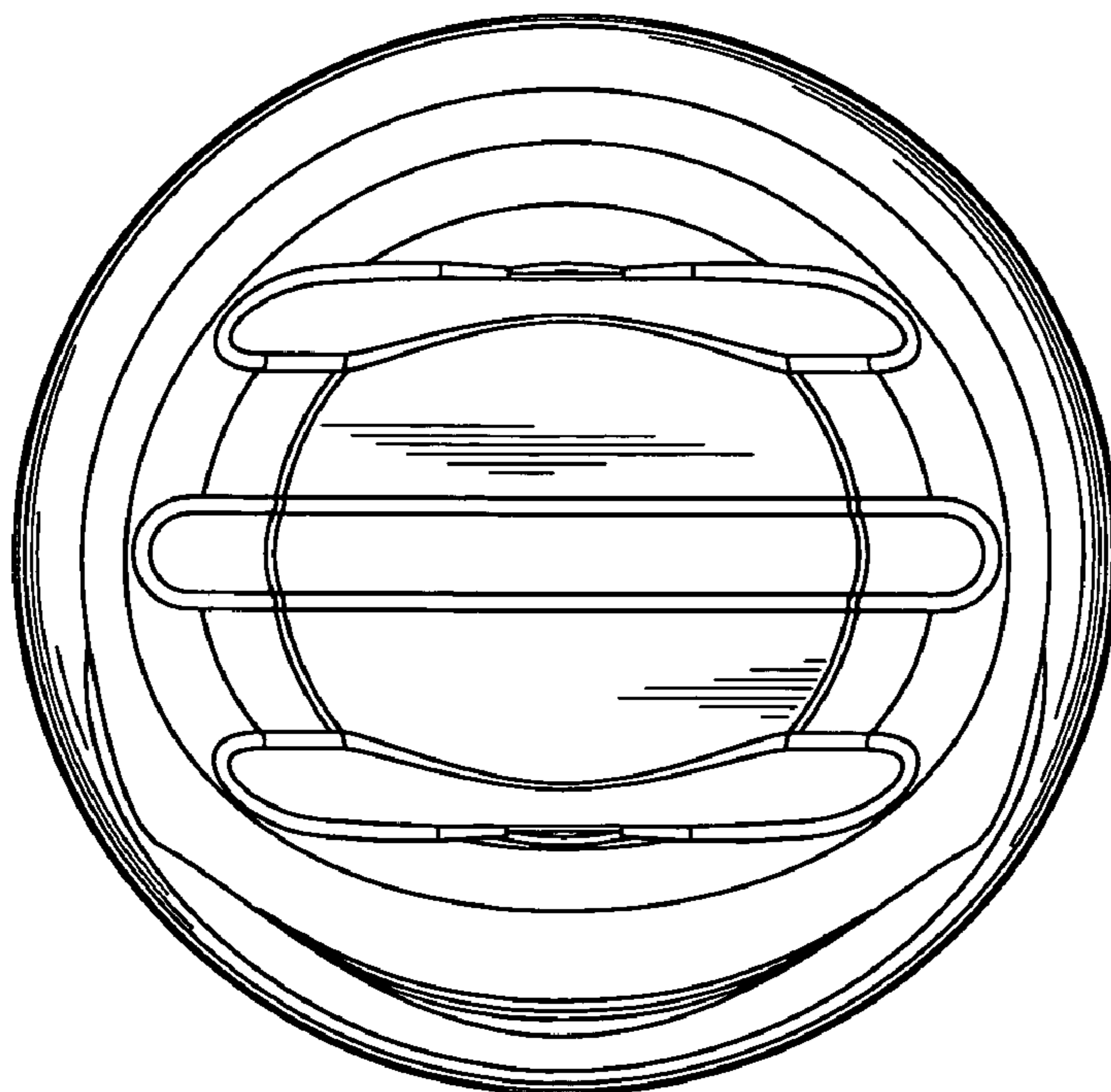


FIG. 9

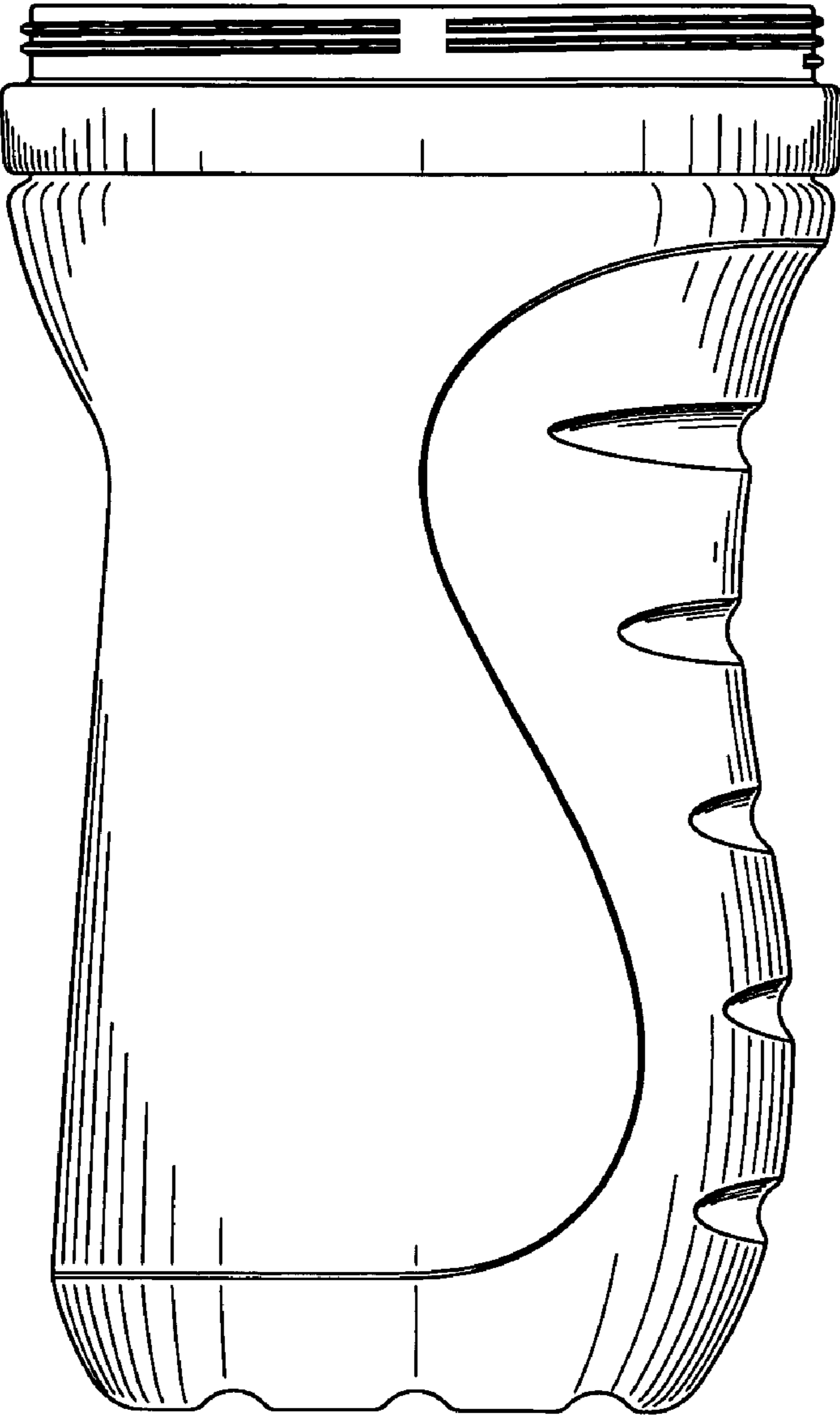


**FIG. 11**

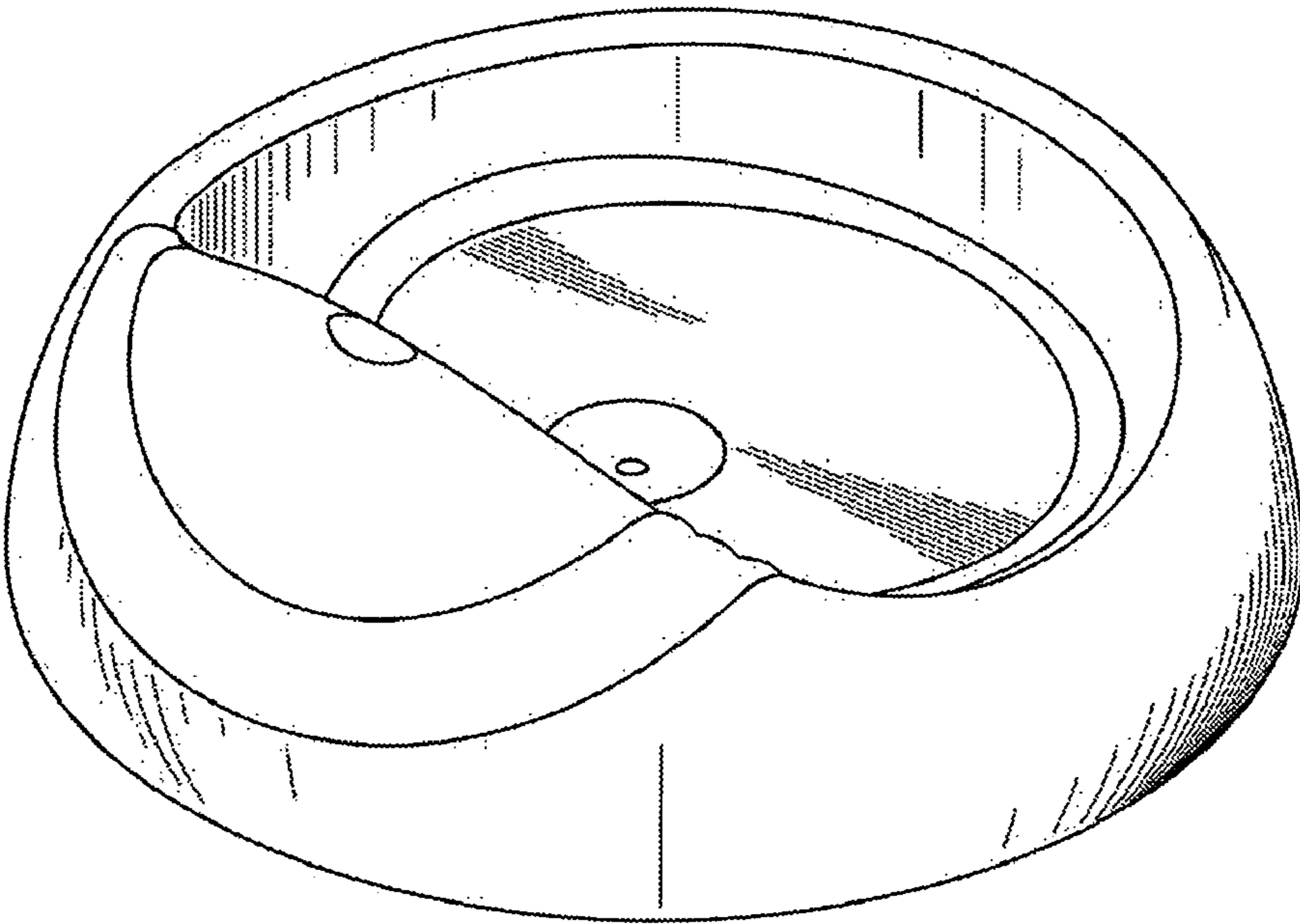


**FIG. 12**

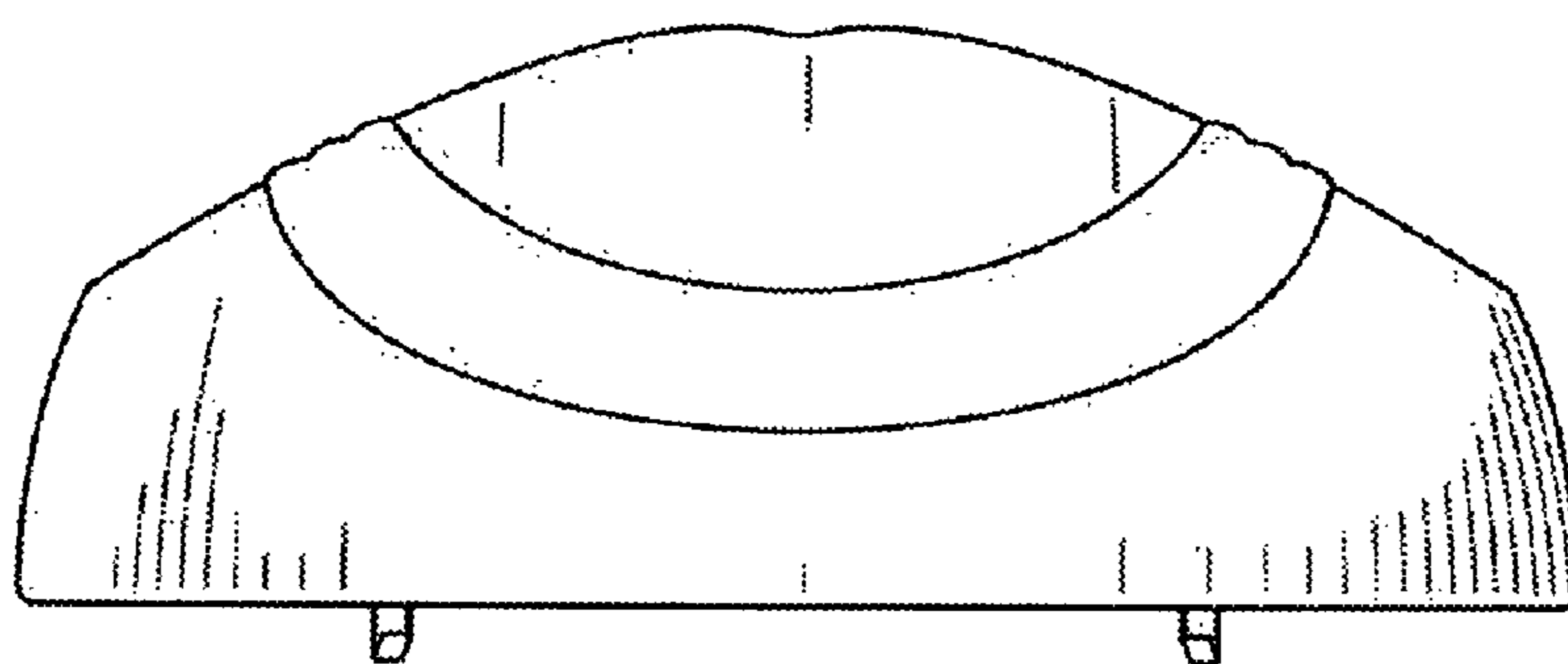




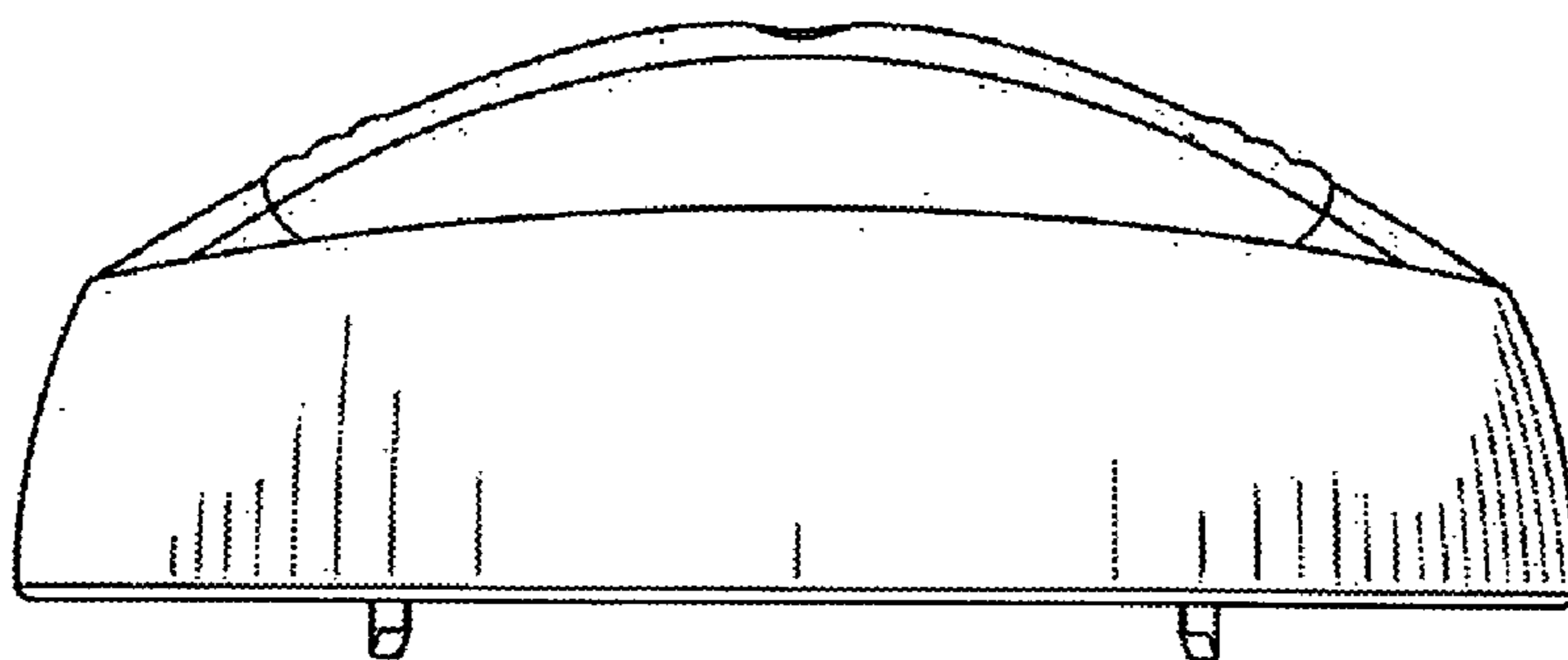
**FIG. 13**



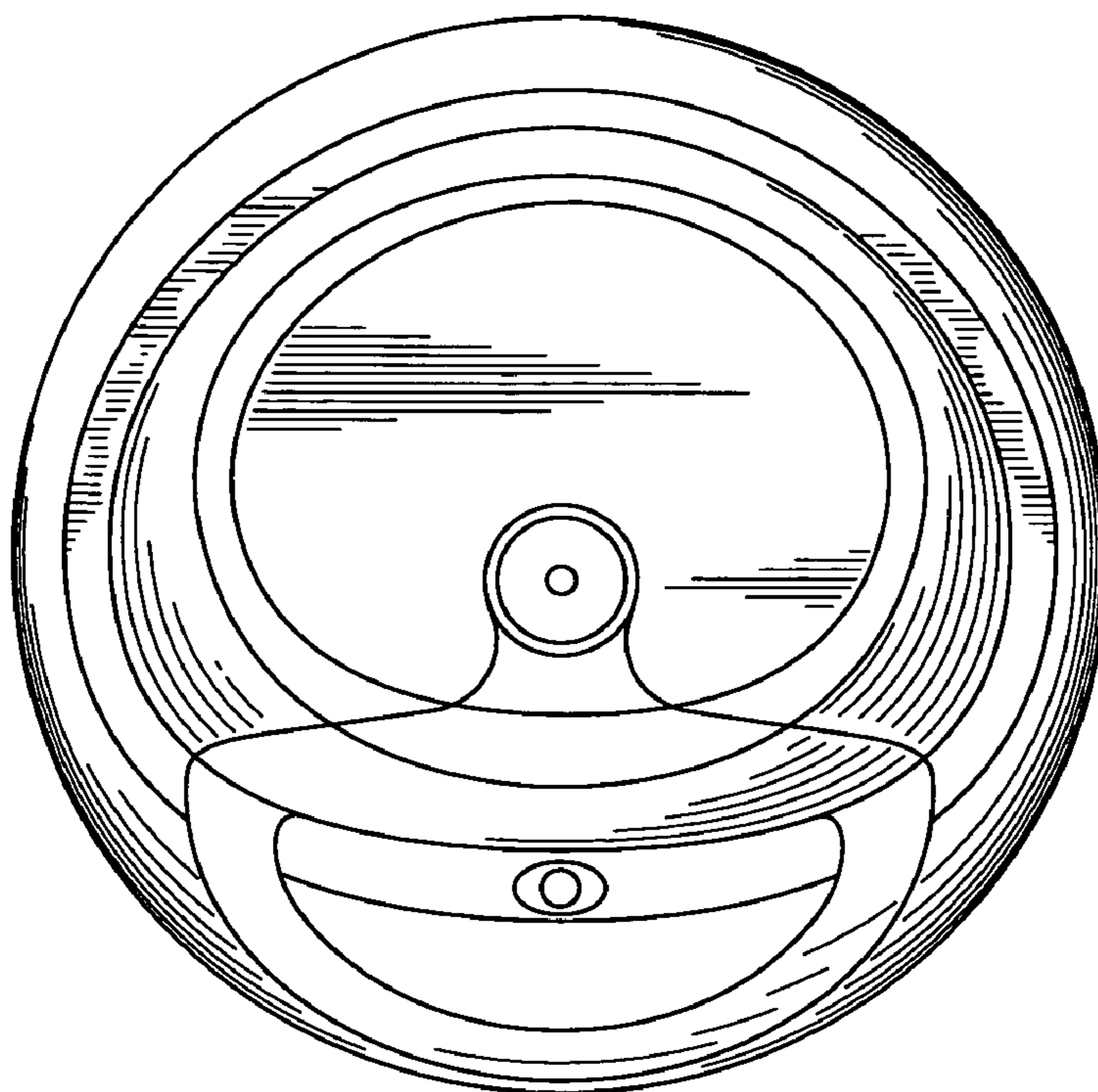
**FIG. 14**



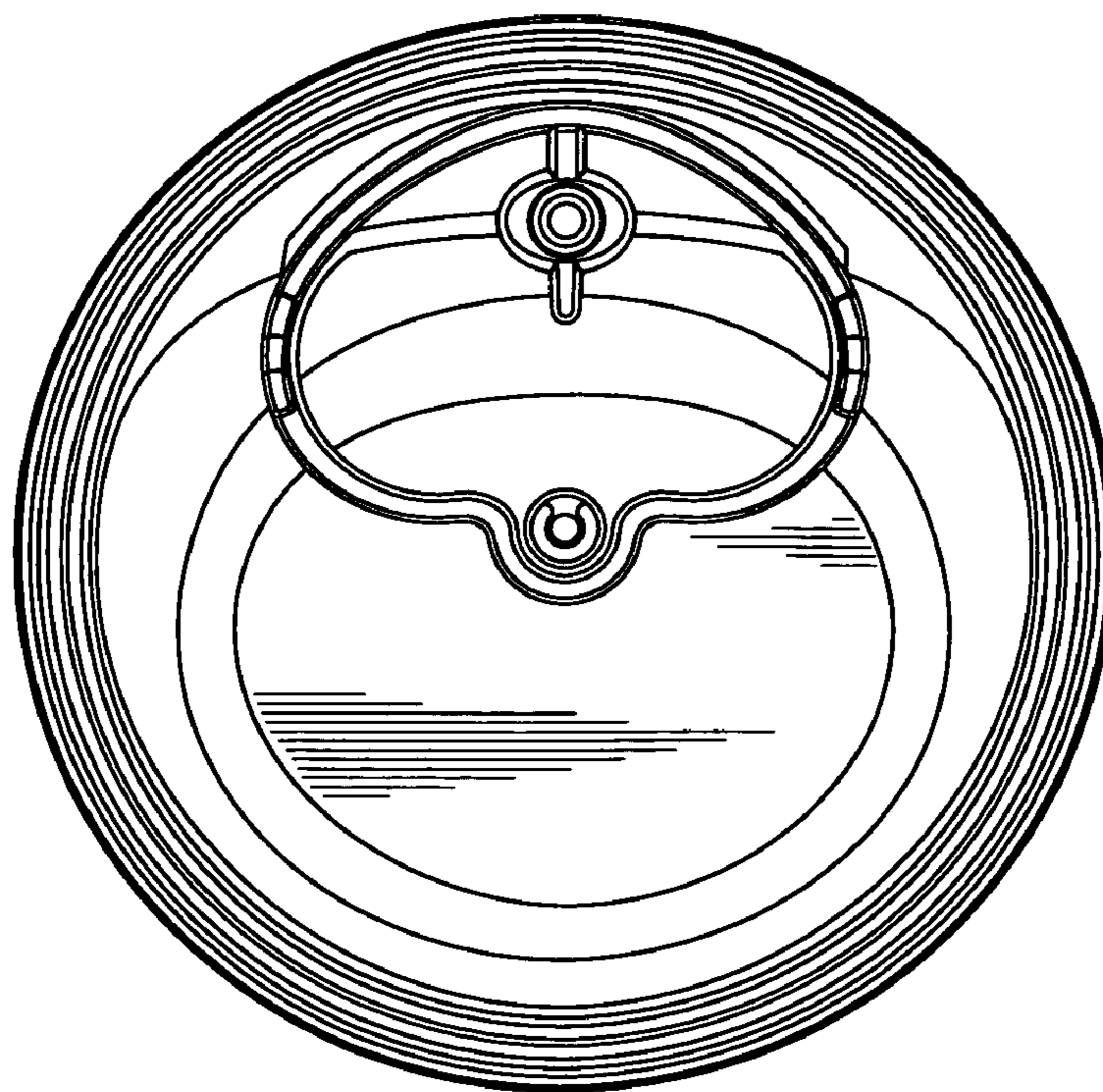
*FIG. 15*



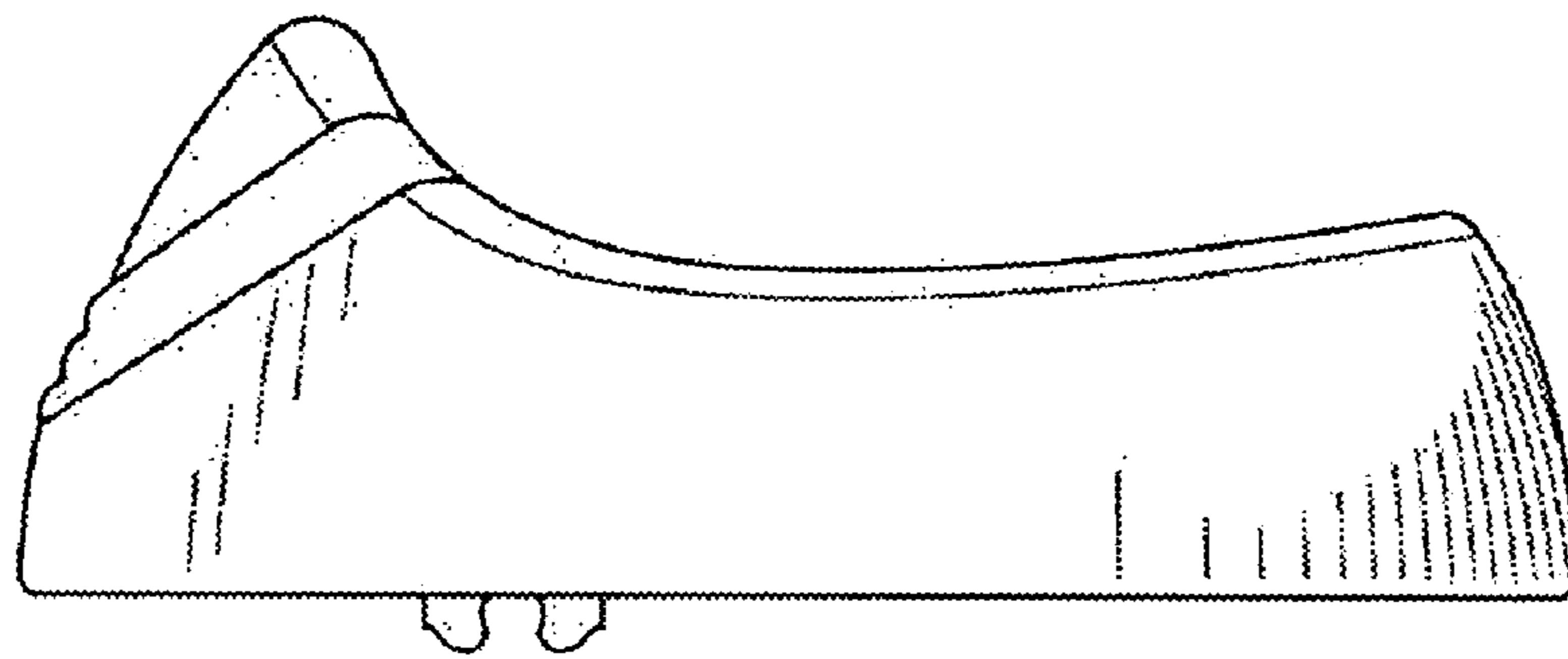
*FIG. 16*



**FIG. 17**



**FIG. 18**



*FIG. 19*