



US00D642432S

(12) **United States Design Patent**
Williams

(10) **Patent No.:** **US D642,432 S**

(45) **Date of Patent:** **** Aug. 2, 2011**

(54) **WINE GLASS HOLDER**

(76) Inventor: **Segrid Williams**, Vallejo, CA (US)

(**) Term: **14 Years**

(21) Appl. No.: **29/351,614**

(22) Filed: **Dec. 8, 2009**

(51) **LOC (9) Cl.** **07-01**

(52) **U.S. Cl.** **D7/396.2; D7/624.2**

(58) **Field of Classification Search** D7/387,
D7/396.2, 624.1, 619.1, 507, 622, 388; 220/739,
220/703, 592.16, 592.17, 758; 215/12.1,
215/393, 387, DIG. 7, 396; D3/229; D9/440,
D9/434, 435, 439; D32/55; 206/217; 294/33

See application file for complete search history.

(56) **References Cited**

U.S. PATENT DOCUMENTS

5,169,025	A	*	12/1992	Guo	220/739
D341,293	S	*	11/1993	Guo	D7/607
D388,604	S	*	1/1998	Castro	D3/229
D429,447	S	*	8/2000	Prag	D7/607
D515,365	S	*	2/2006	Cooper	D7/624.2

D555,897	S	*	11/2007	Pietraroia	D3/229
D567,592	S	*	4/2008	Fite et al.	D7/568
D581,658	S	*	12/2008	Leslie	D3/229
D595,096	S	*	6/2009	Slay	D7/624.2
D597,795	S	*	8/2009	Ford	D7/624.2
D612,673	S	*	3/2010	Sevick	D7/396.3
2004/0173625	A1	*	9/2004	Jones	220/739

* cited by examiner

Primary Examiner — Cynthia Underwood

(74) *Attorney, Agent, or Firm* — Katherine Bond

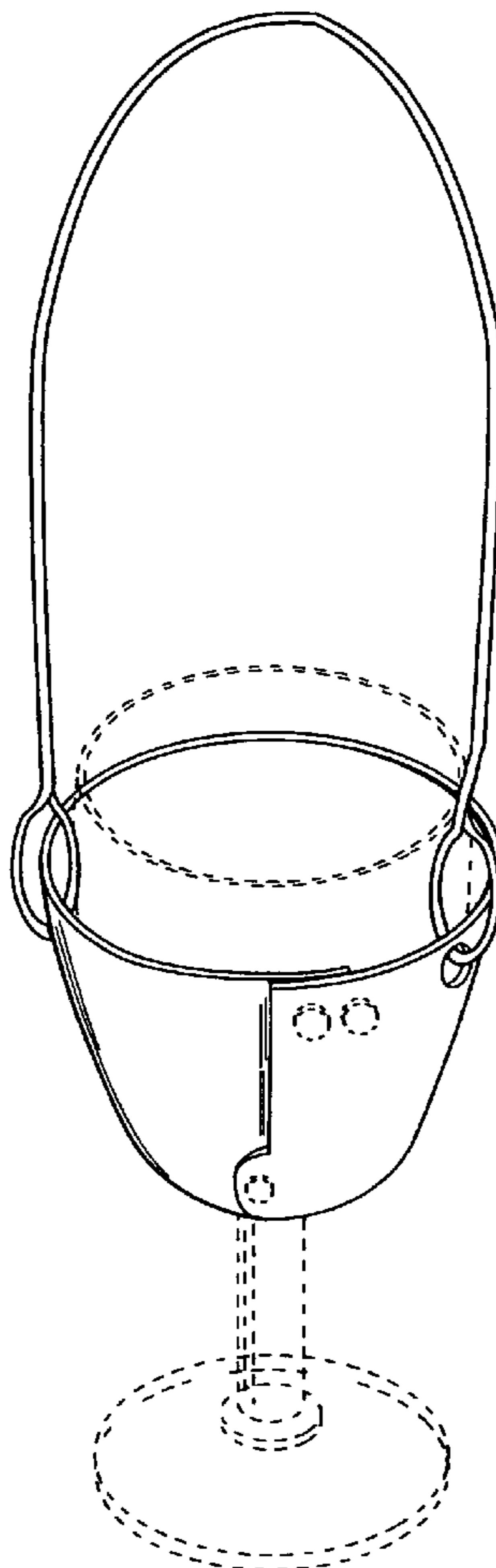
(57) **CLAIM**

I claim the ornamental design for a wine glass holder, as shown and described.

DESCRIPTION

FIG. 1 is a perspective view of the wine glass holder; FIG. 2 is another perspective view of the wine glass holder in use and in an alternative position; and, FIG. 3 is a front elevation view of the wine glass holder with the string removed and in an alternative position. The broken lines represent structure that forms no part of the claim.

1 Claim, 2 Drawing Sheets



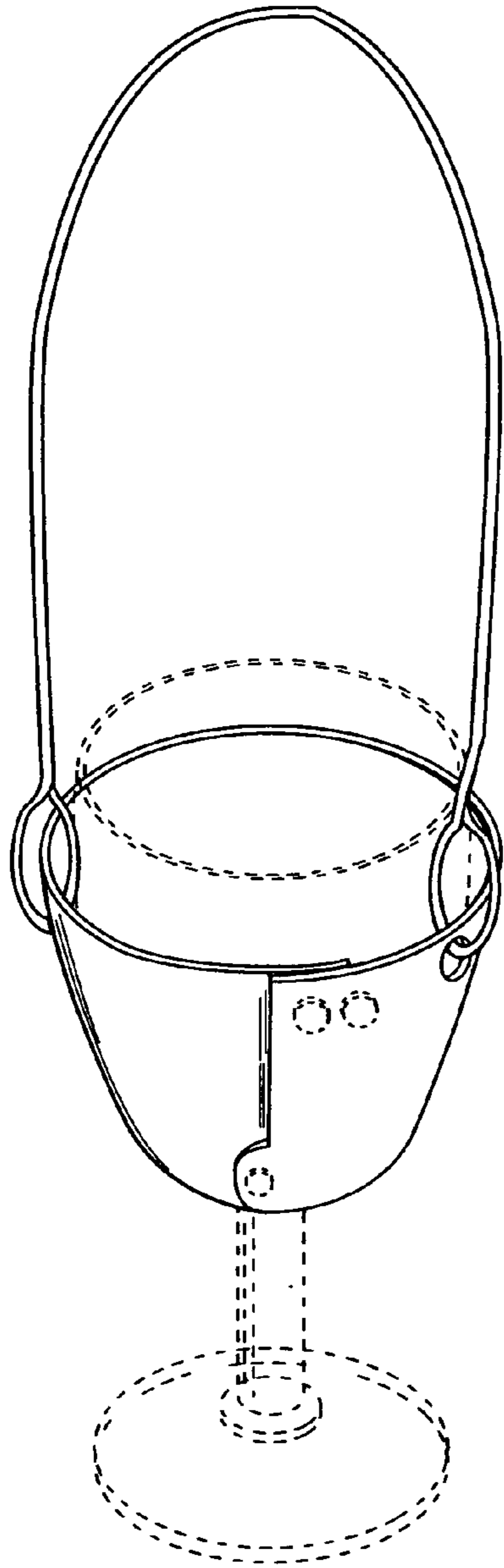


FIG. 1

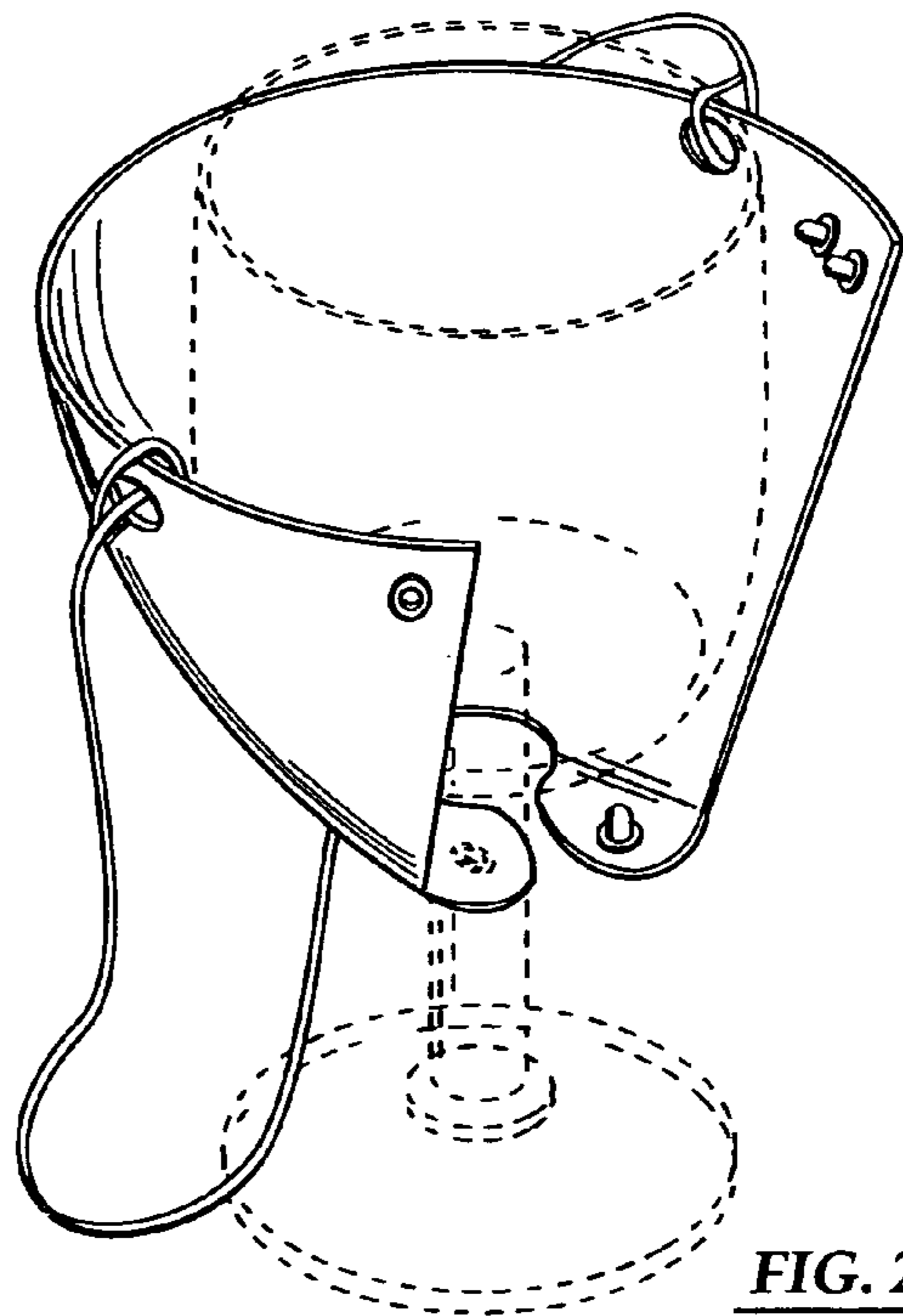


FIG. 2

