



US00D642430S

(12) **United States Design Patent**
Verbrugge

(10) **Patent No.:** **US D642,430 S**

(45) **Date of Patent:** **** Aug. 2, 2011**

(54) **SIDE HANDLE FOR COOKING UTENSIL**

(75) Inventor: **Jeroen Verbrugge**, Delft (NL)

(73) Assignee: **Tefal**, Rumilly (FR)

(**) Term: **14 Years**

(21) Appl. No.: **29/378,061**

(22) Filed: **Oct. 28, 2010**

(30) **Foreign Application Priority Data**

Apr. 29, 2010 (FR) 10 2318

(51) **LOC (9) Cl.** **07-02**

(52) **U.S. Cl.** **D7/394**

(58) **Field of Classification Search** D7/354-361,
D7/391, 393-395, 396.2, 514, 664; D8/107,
D8/300, 301, 306, 315, 316, 317, 319, 320,
D8/321; 16/430, 431, 110.1, 114.1, 407,
16/416, 429, 443, 441; 220/377, 573.1-573.5,
220/752, 753, 755, 756, 760, 772, 773, 912;
D3/318; 138/121, 145, 173

See application file for complete search history.

(56) **References Cited**

U.S. PATENT DOCUMENTS

D178,930	S	*	10/1956	Palma, Jr.	D7/393
D377,581	S	*	1/1997	Rohrer	D7/393
D436,000	S	*	1/2001	Munari	D7/393
D457,385	S	*	5/2002	Dodane	D7/393
D482,565	S	*	11/2003	Knor	D7/393
D508,370	S	*	8/2005	Cuillery	D7/394
D555,423	S	*	11/2007	Hoff	D7/393
D578,343	S	*	10/2008	Magnouloux	D7/393

* cited by examiner

Primary Examiner — Cynthia M Chin

(74) *Attorney, Agent, or Firm* — Young & Thompson

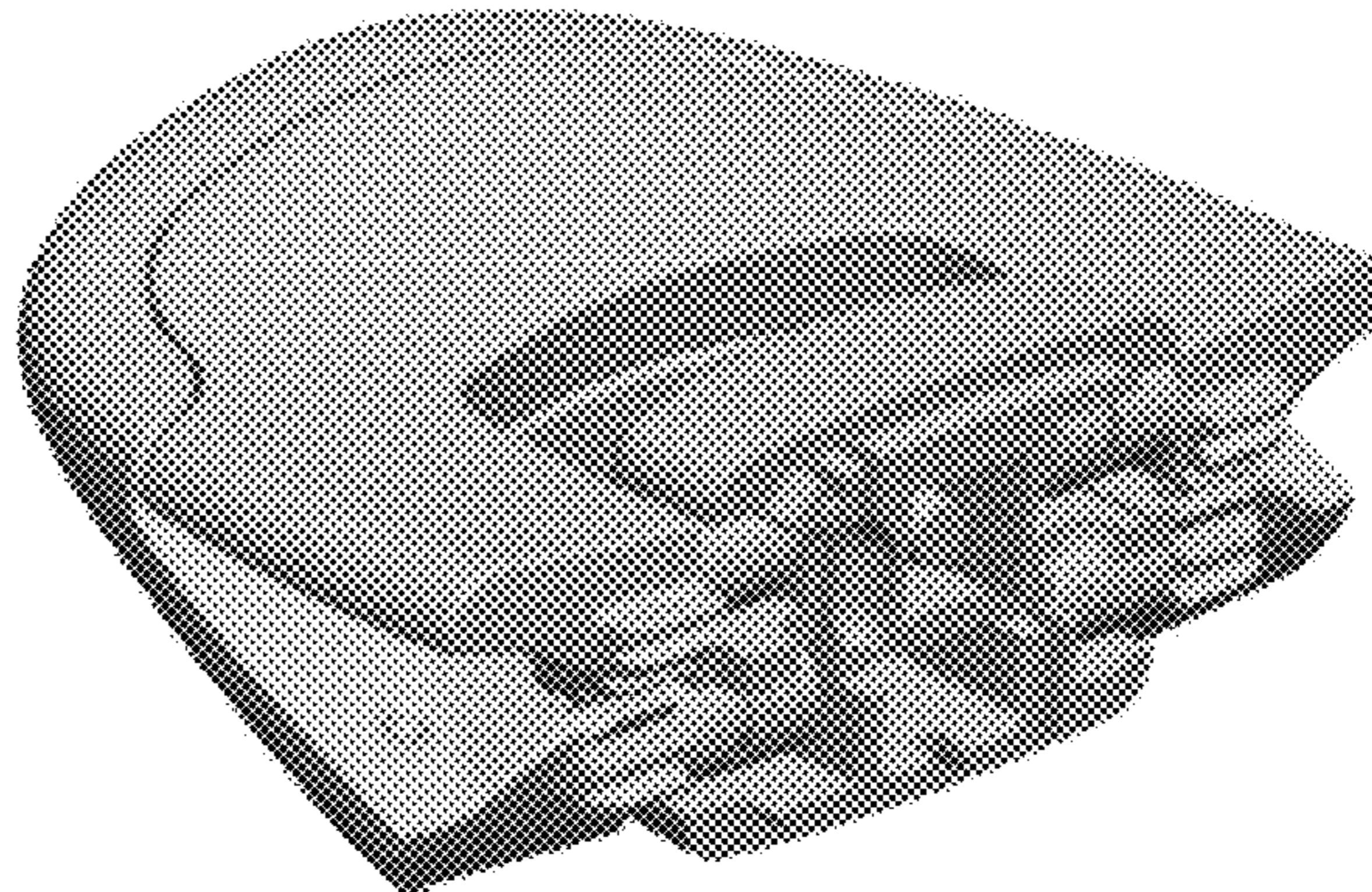
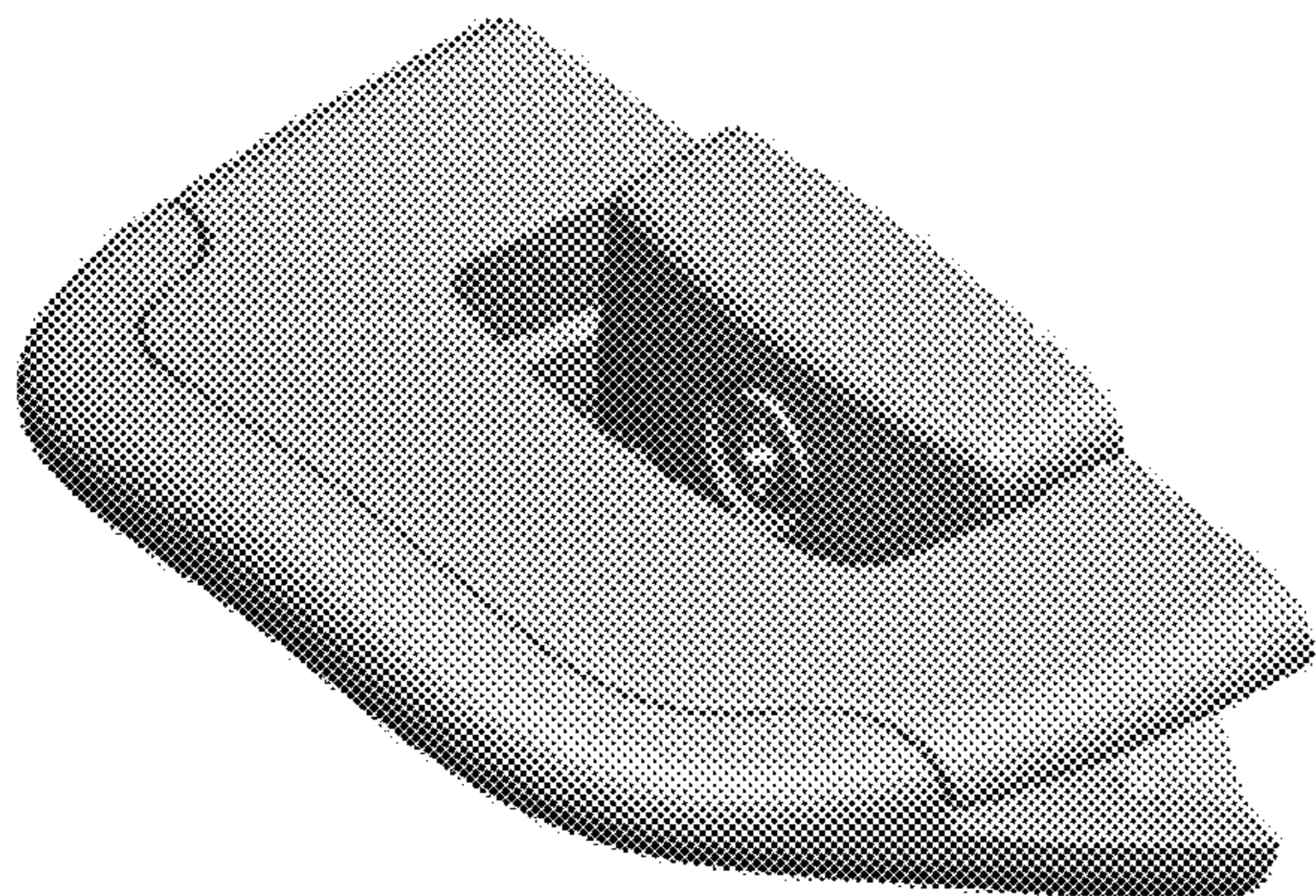
(57) **CLAIM**

The ornamental design for a side handle for cooking utensil, as shown.

DESCRIPTION

FIG. 1 is a top and side perspective view of a side handle for cooking utensil, showing my new design;
FIG. 2 is a top and side perspective view thereof, from the side opposite that shown in FIG. 1;
FIG. 3 is a side elevational view thereof;
FIG. 4 is a side elevational view thereof from the side opposite that shown in FIG. 3;
FIG. 5 is a rear elevational view thereof;
FIG. 6 is a top plan view thereof; and,
FIG. 7 is a bottom plan view thereof.

1 Claim, 7 Drawing Sheets



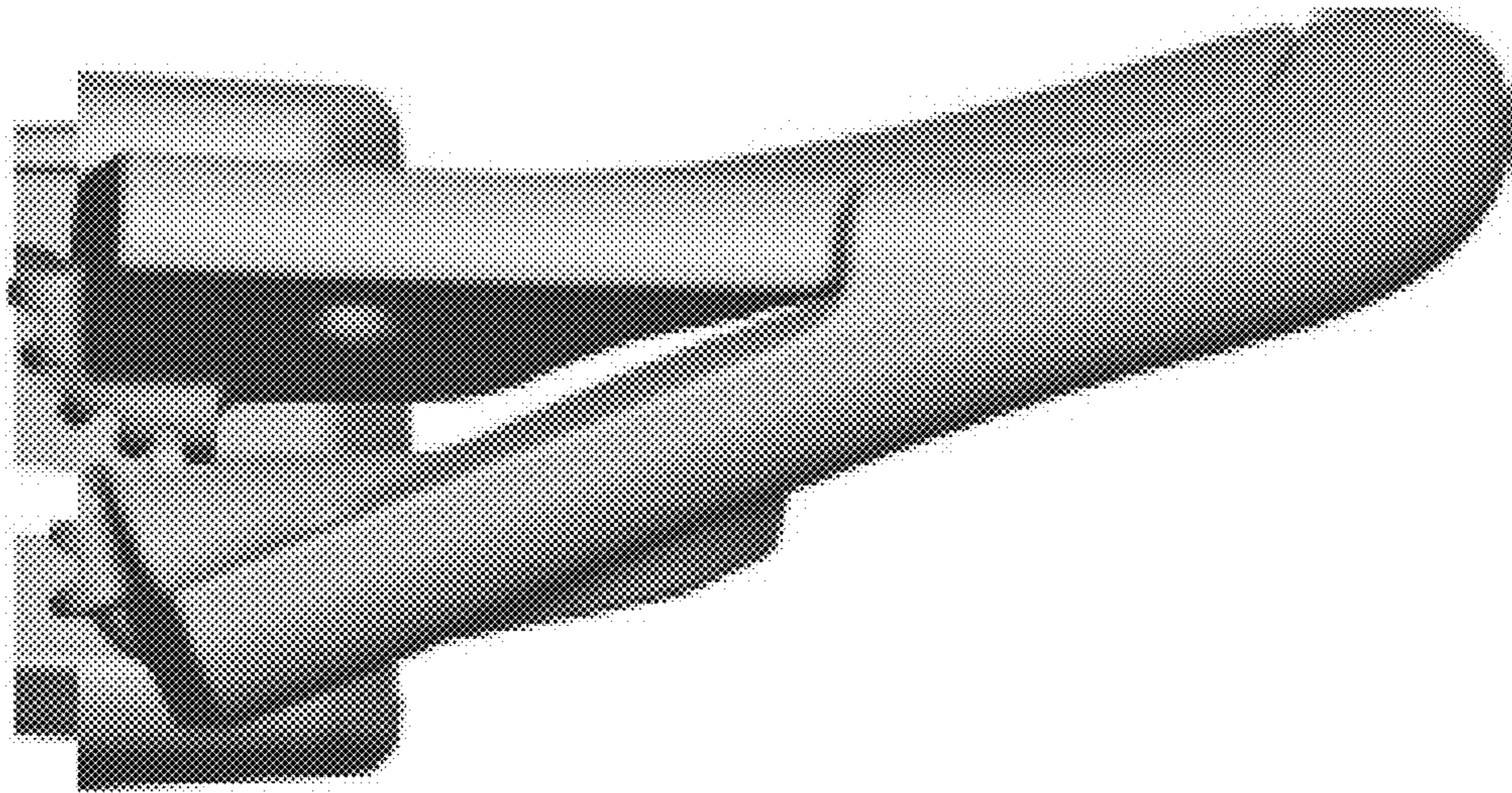


Figure 1

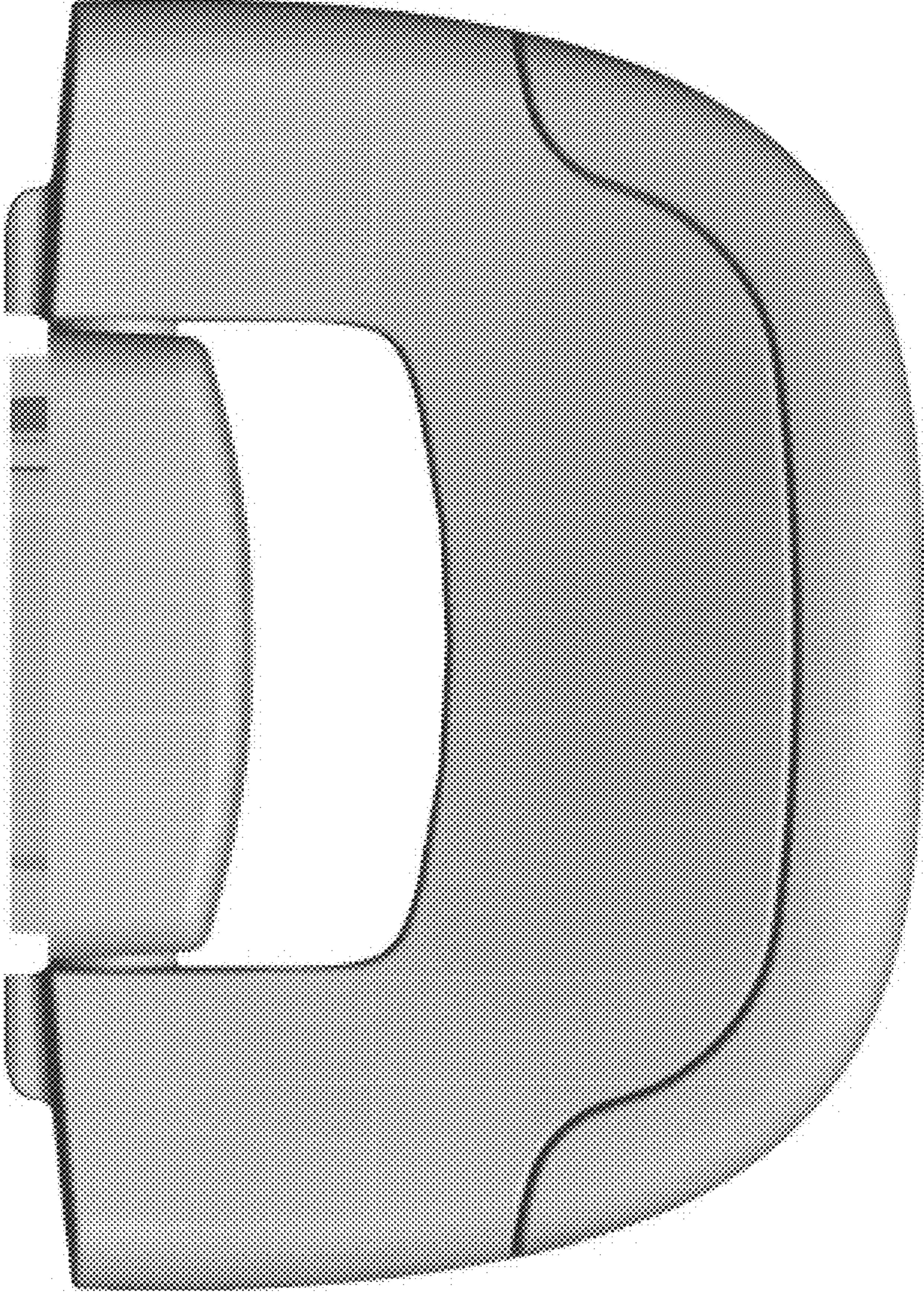


Figure 2

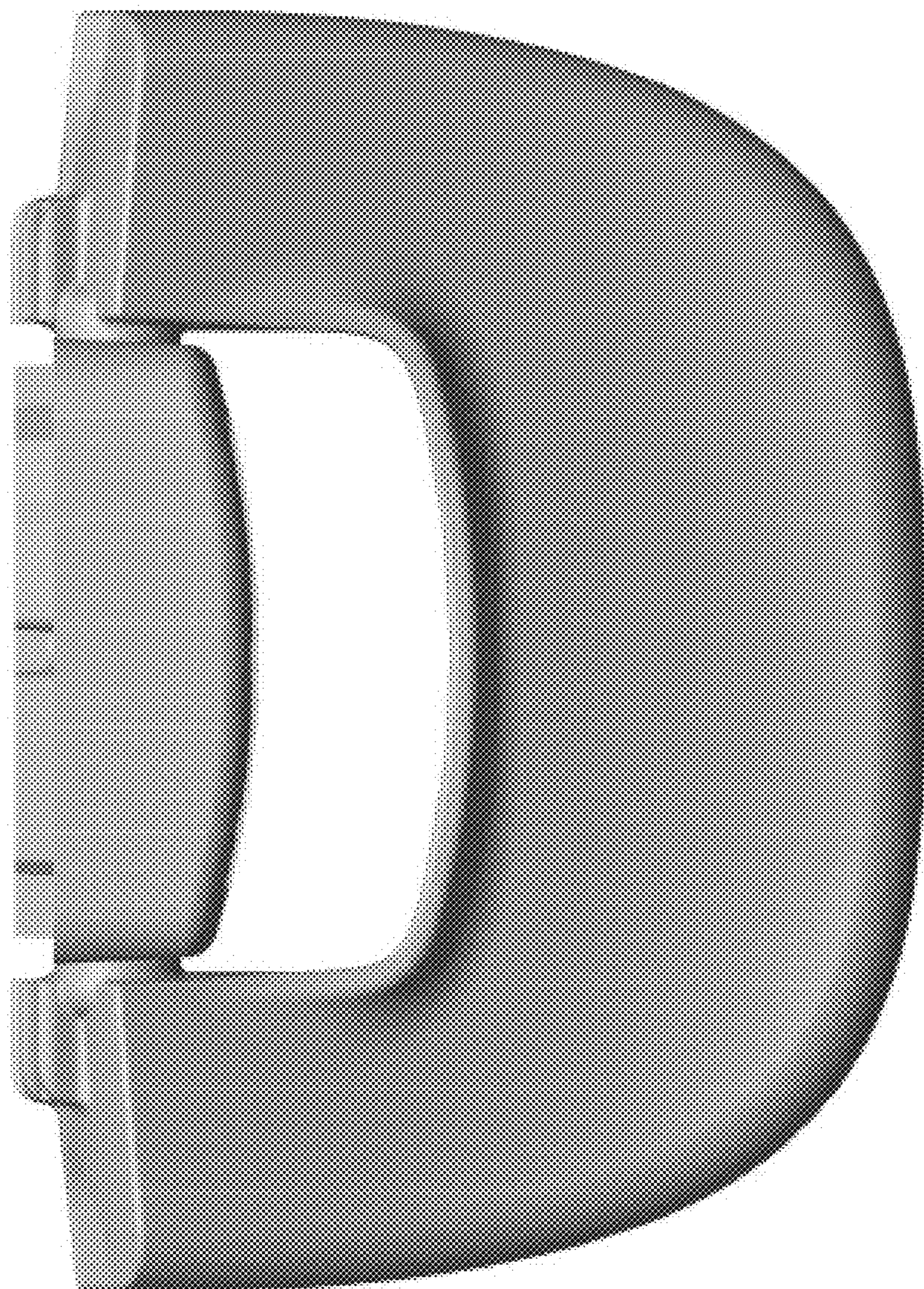


Figure 3

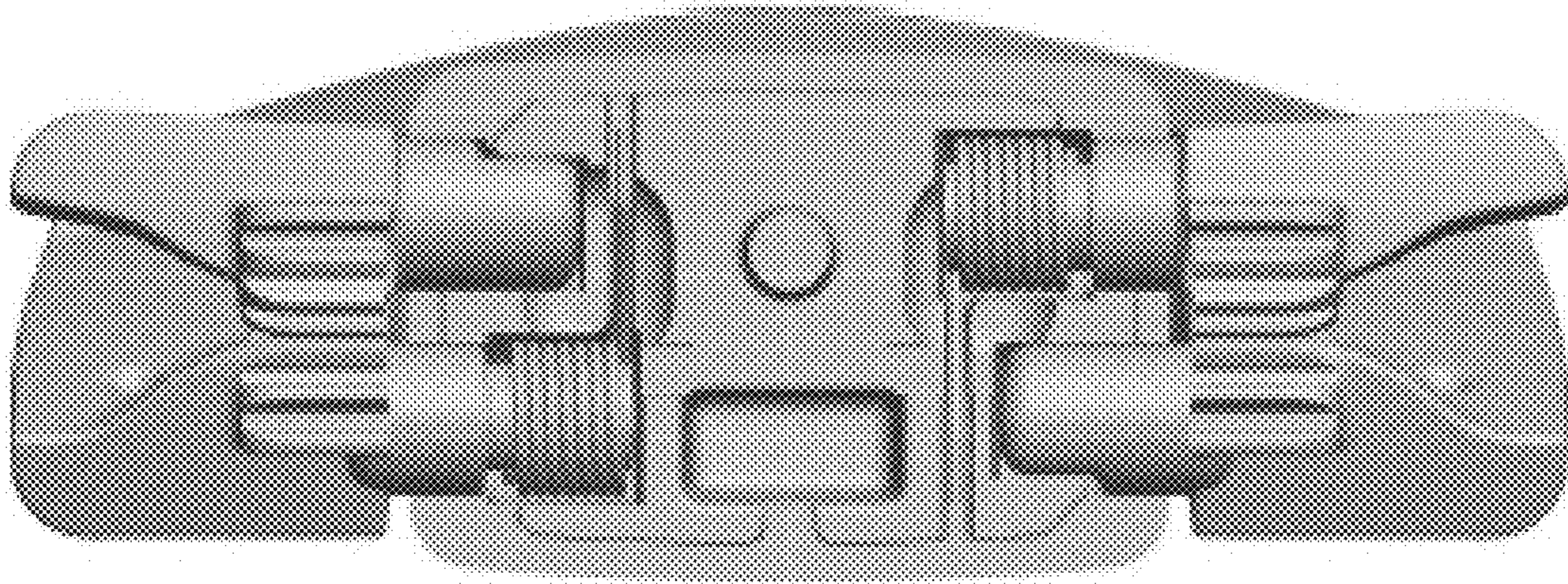


Figure 4

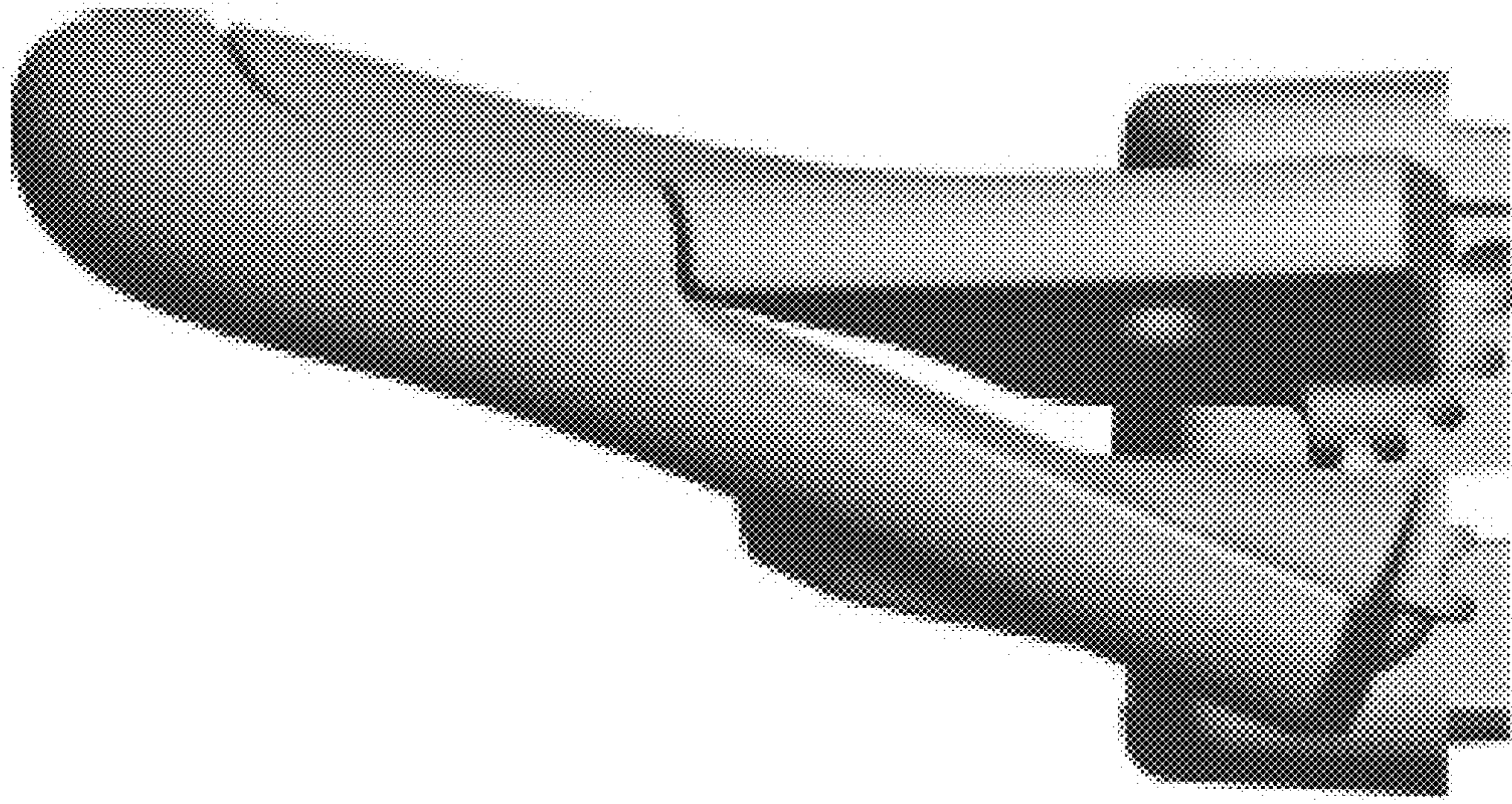


Figure 5



Figure 6

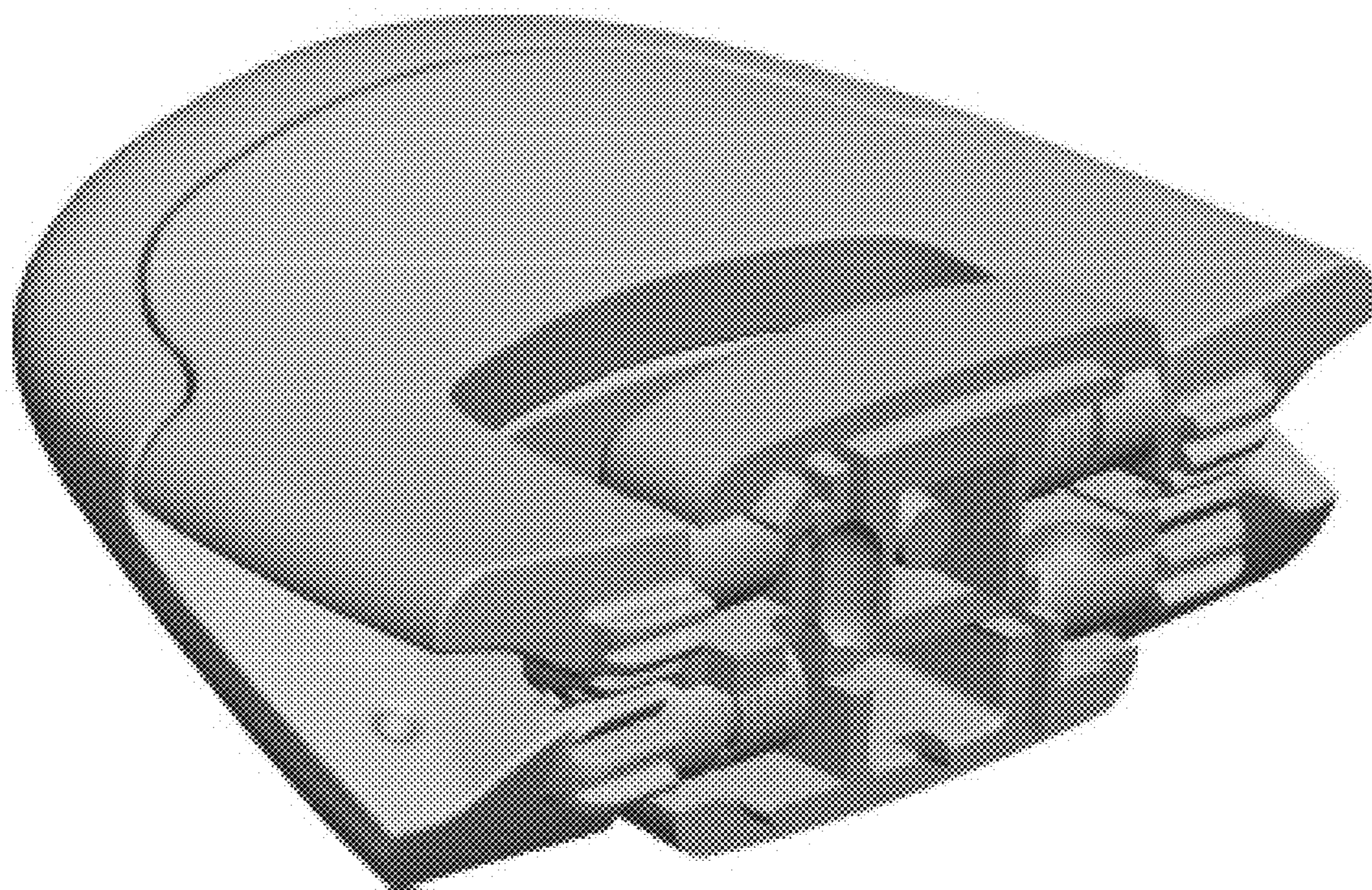


Figure 7