



US00D642419S

(12) **United States Design Patent**
Kim et al.

(10) **Patent No.:** **US D642,419 S**

(45) **Date of Patent:** **** Aug. 2, 2011**

(54) **MICROWAVE OVEN RANGE**

(75) Inventors: **Soo Yeon Kim**, Seoul (KR); **Kyoung Ha Lee**, Busan (KR); **Na Jung Cho**, Seoul (KR); **Kyung Ah Lee**, Seoul (KR)

(73) Assignee: **LG Electronics Inc.**, Seoul (KR)

(**) Term: **14 Years**

(21) Appl. No.: **29/369,033**

(22) Filed: **Sep. 1, 2010**

(30) **Foreign Application Priority Data**

Mar. 3, 2010 (KR) 30-2010-0009254

(51) **LOC (9) Cl.** **07-02**

(52) **U.S. Cl.** **D7/340**

(58) **Field of Classification Search** D7/323,
D7/340-348, 404-409; 126/39 B, 211, 217-218,
126/214 C, 214 R, 215-216, 152 R; 219/460.1,
219/506

See application file for complete search history.

(56) **References Cited**

U.S. PATENT DOCUMENTS

5,185,047 A * 2/1993 Ray 156/242
D538,582 S * 3/2007 Kim et al. D7/340
D541,577 S * 5/2007 Kim D7/340

D542,079 S * 5/2007 Kim D7/340
D555,976 S * 11/2007 Baldwin D7/405
D594,692 S * 6/2009 Shin et al. D7/351
D604,987 S * 12/2009 Jung et al. D7/348
D623,889 S * 9/2010 Kim et al. D7/340

* cited by examiner

Primary Examiner — Ralf Seifert

(74) *Attorney, Agent, or Firm* — Birch, Stewart, Kolasch & Brich, LLP

(57) **CLAIM**

The ornamental design for a microwave oven range, as shown and described.

DESCRIPTION

FIG. 1 is a top, front, perspective view of a microwave oven range showing our new design;
FIG. 2 is a front view thereof;
FIG. 3 is a rear view thereof;
FIG. 4 is a left side view thereof;
FIG. 5 is a right side view thereof;
FIG. 6 is a top view thereof;
FIG. 7 is a bottom view thereof; and,
FIG. 8 is a reference view thereof.

The broken line showing of interior oven elements in FIG. 8 is included for the purpose of illustrating environmental matter and forms no part of the claimed design.

1 Claim, 8 Drawing Sheets

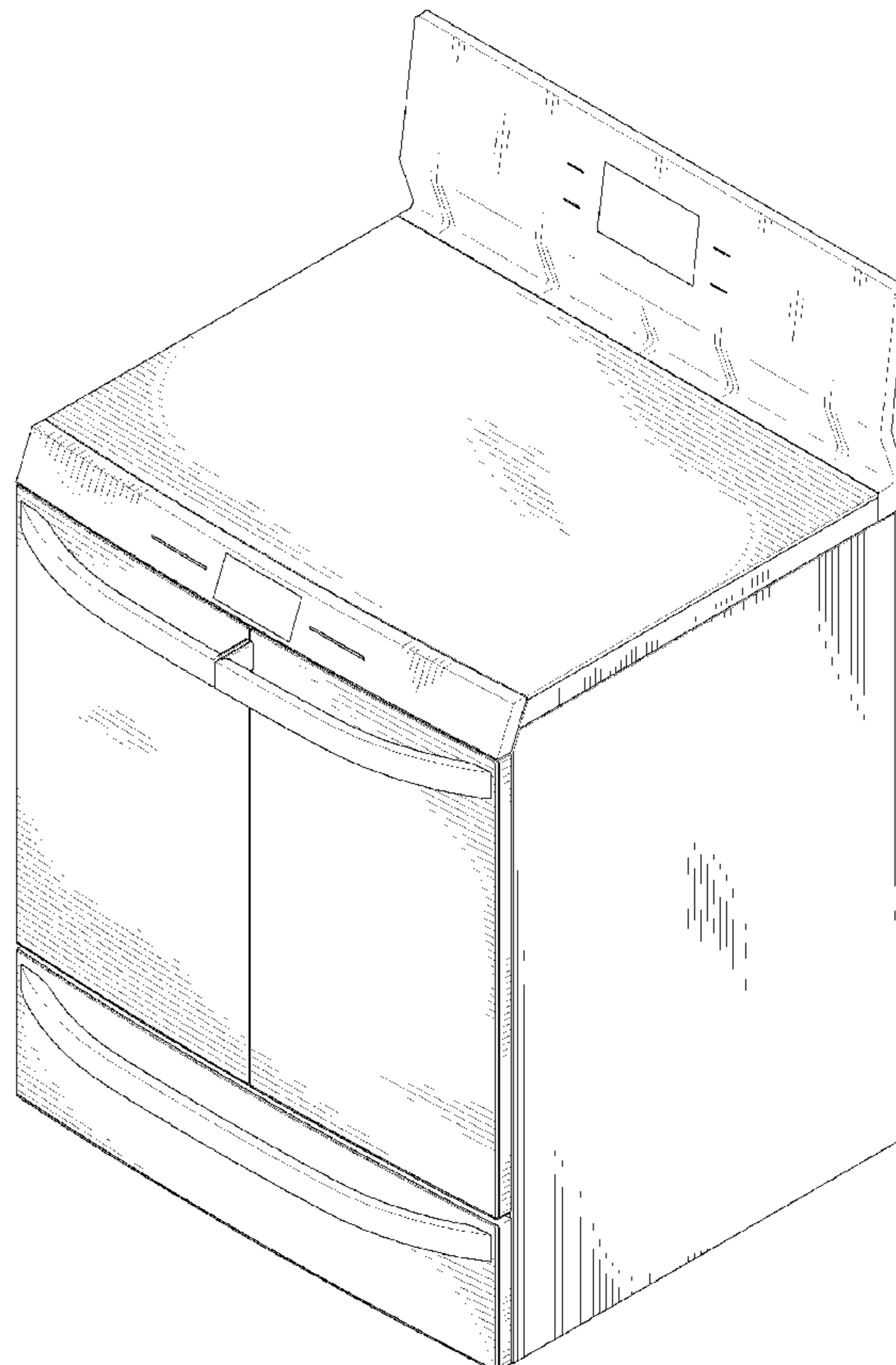


FIG. 1

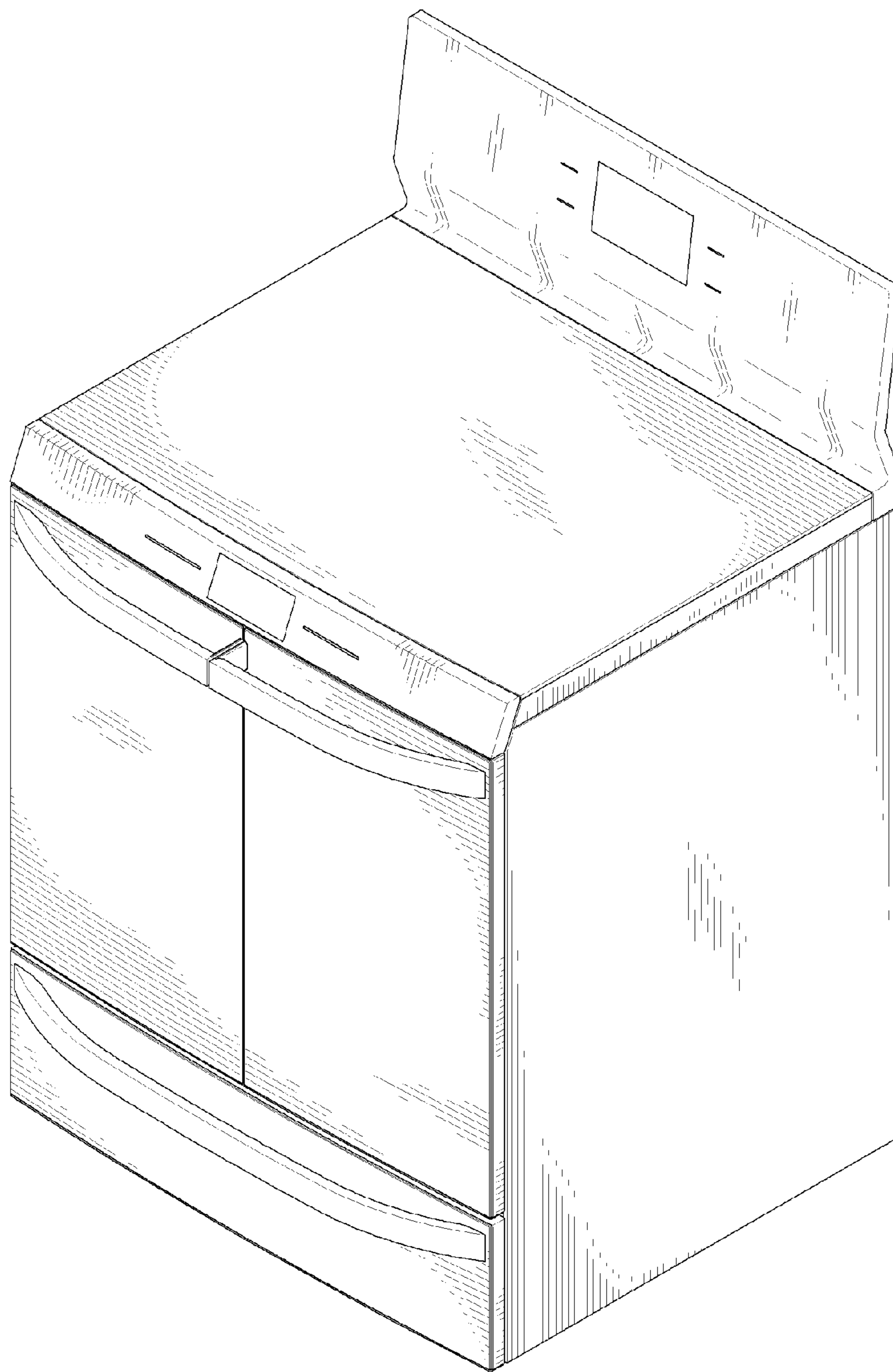


FIG. 2

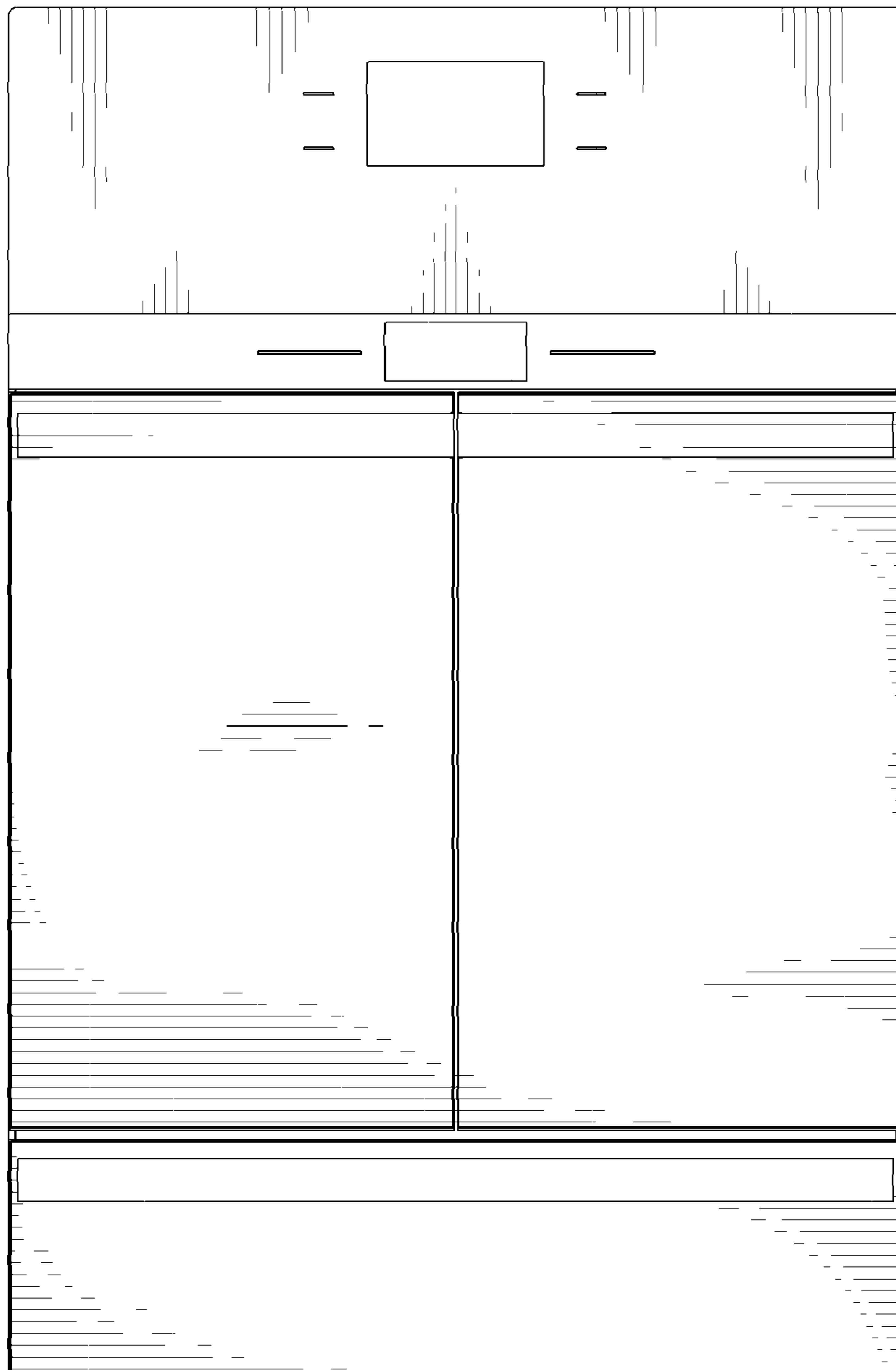


FIG. 3

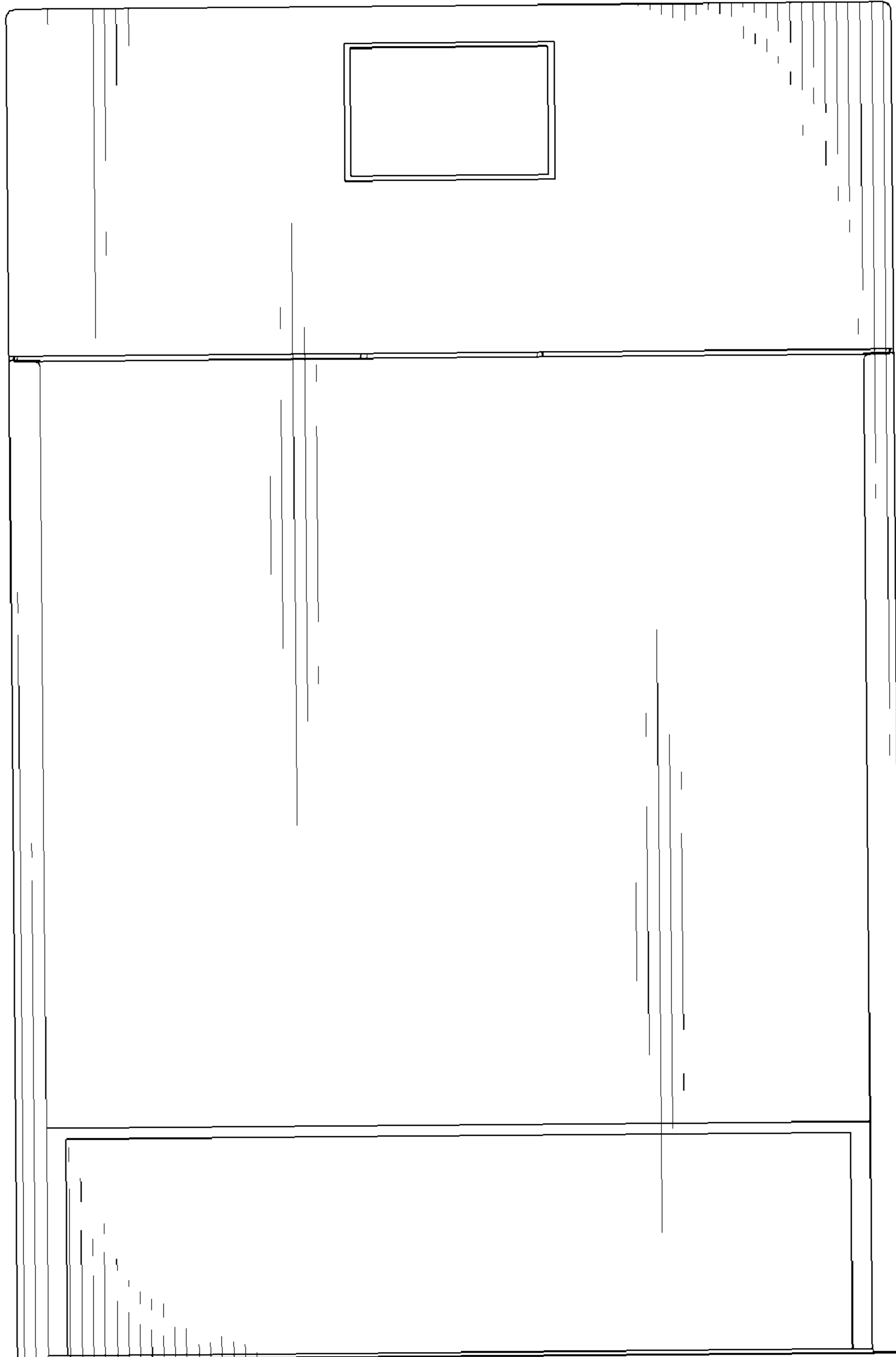


FIG. 4

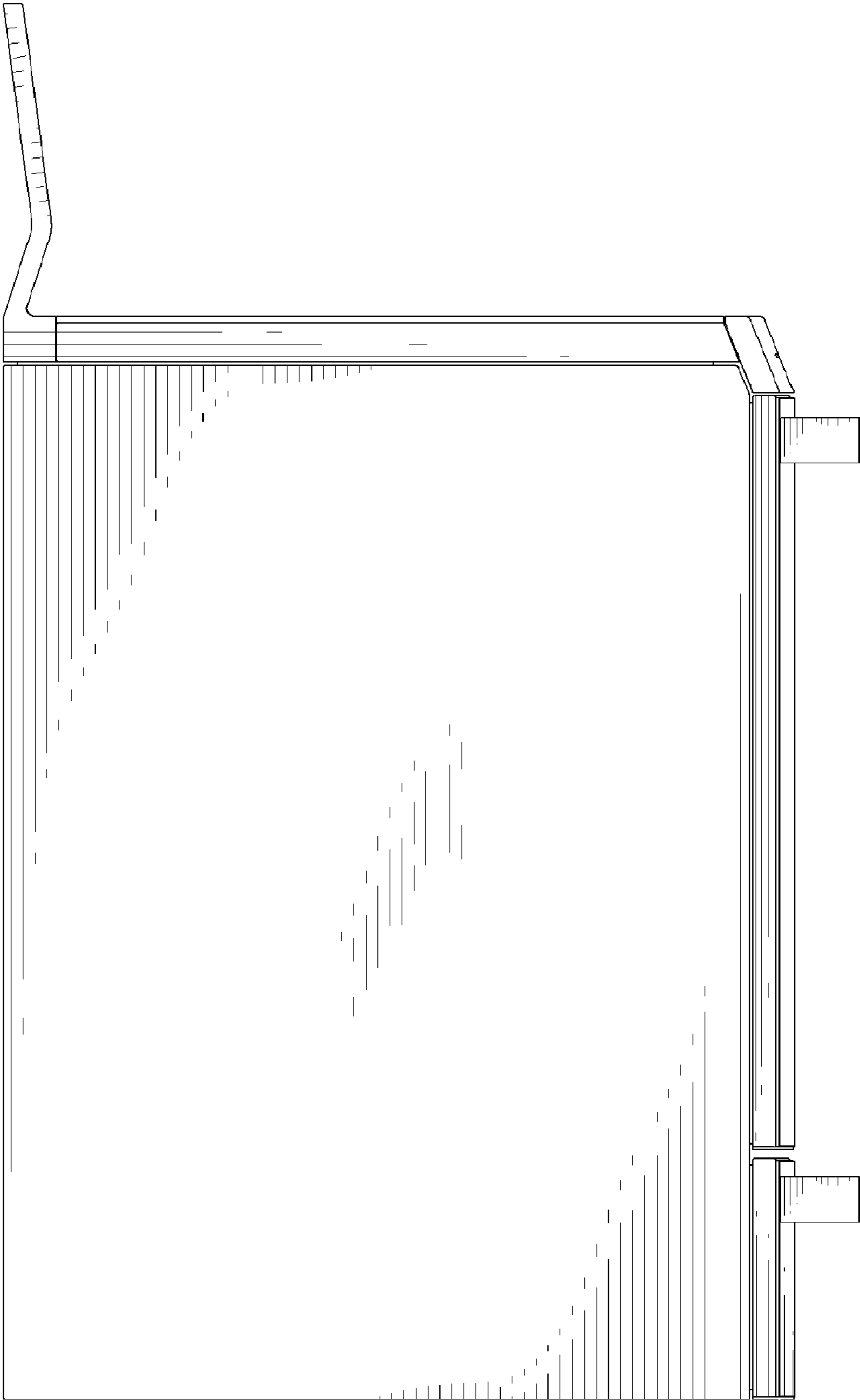


FIG. 5

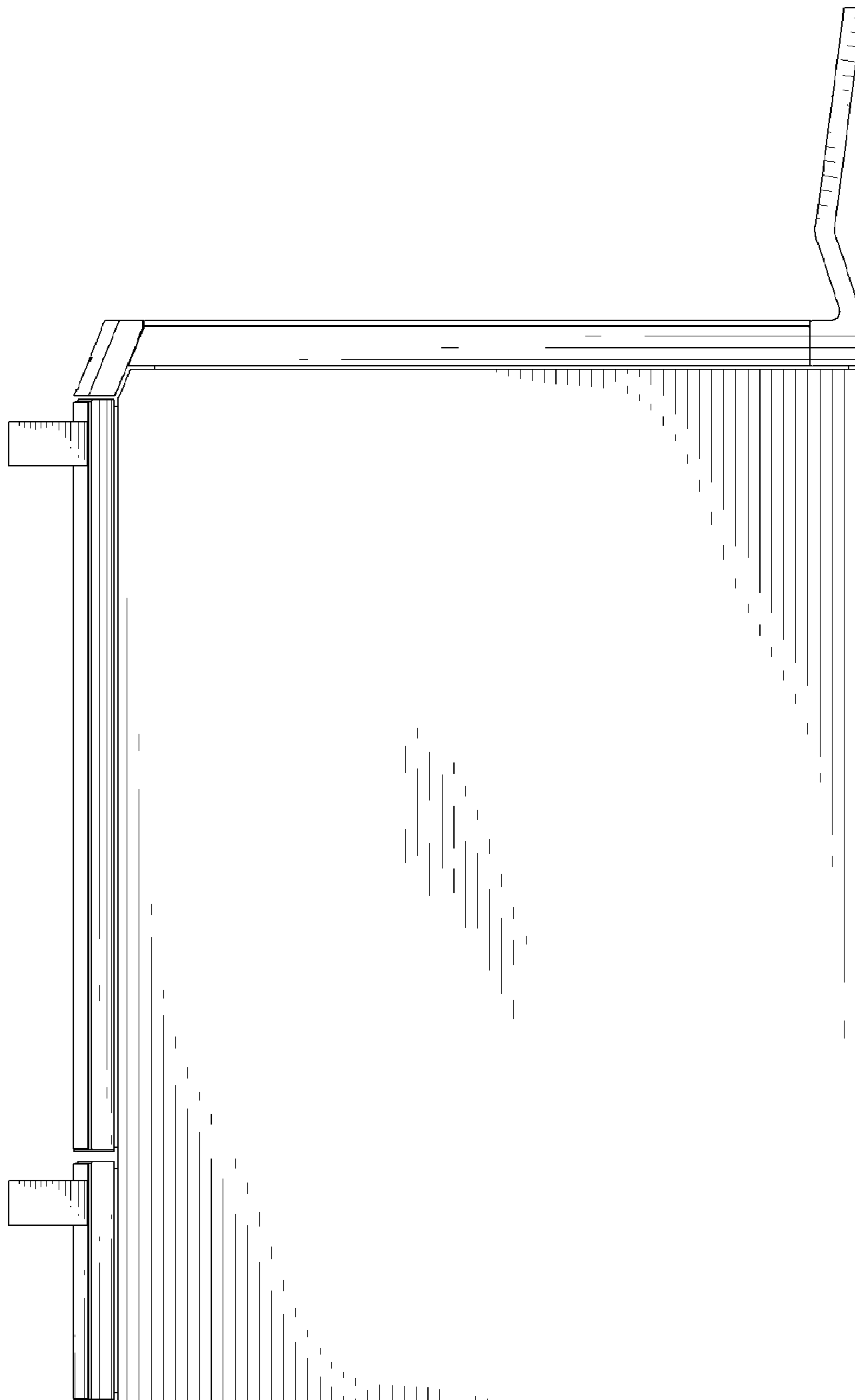


FIG. 6

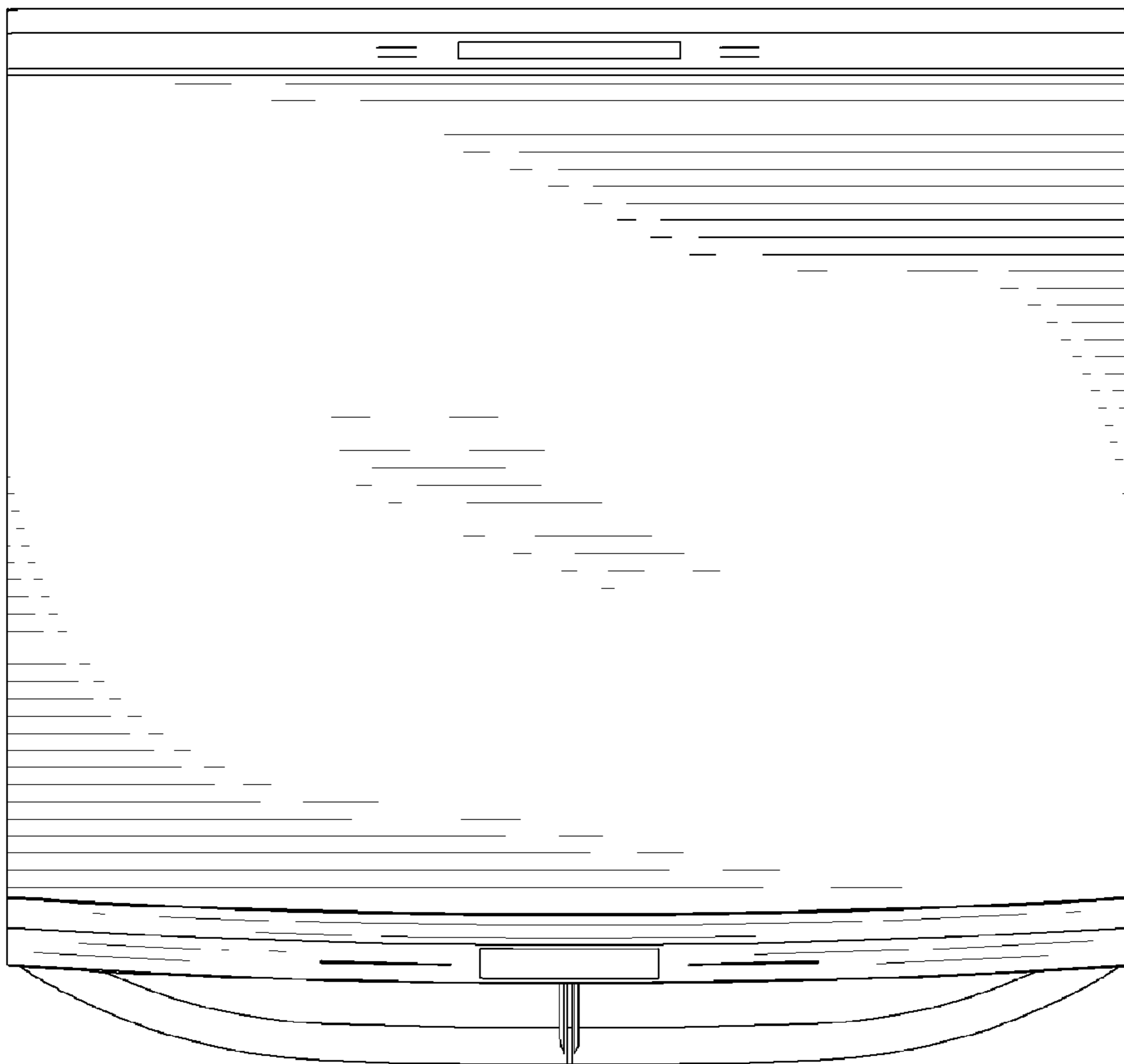


FIG. 7

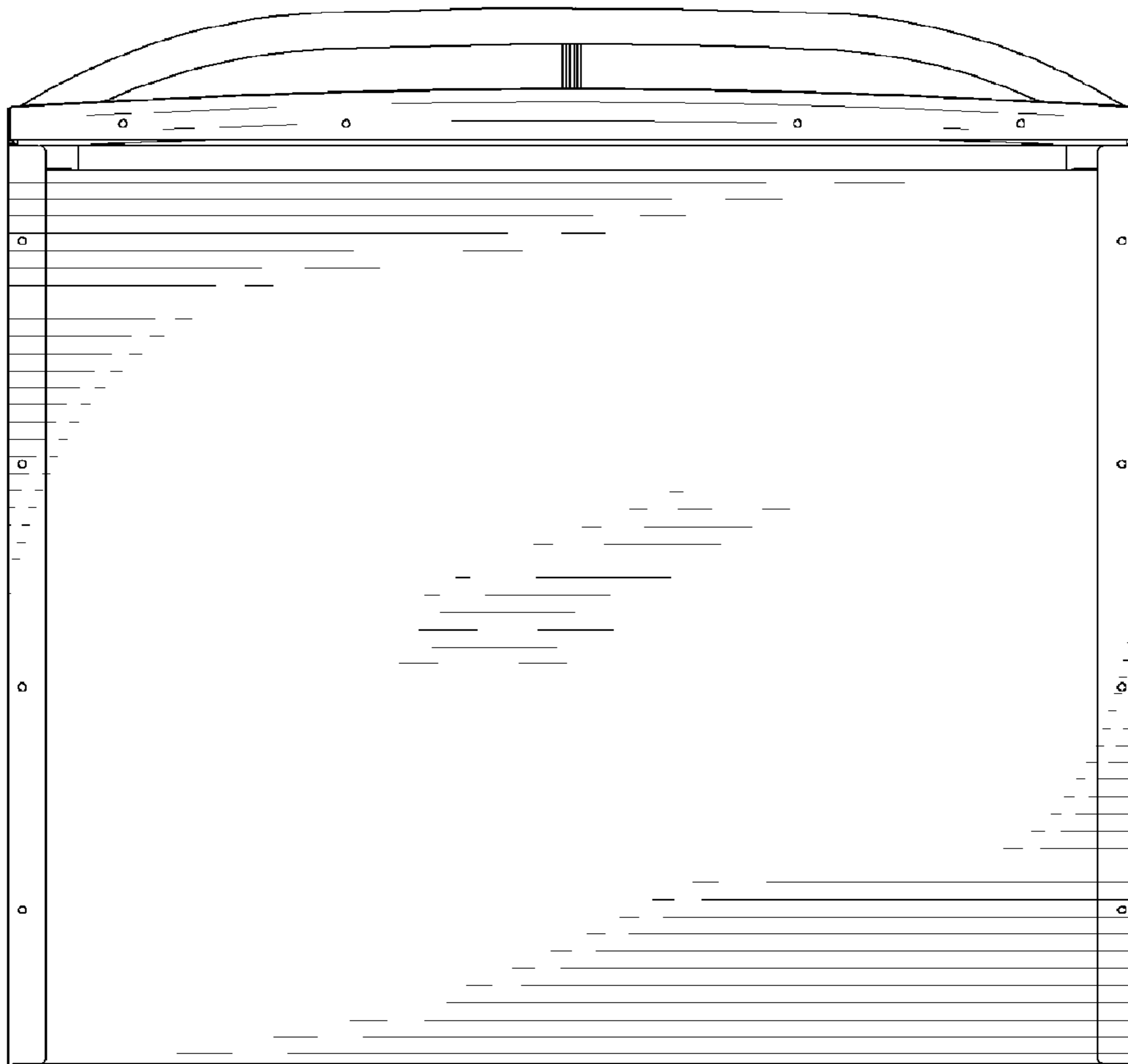


FIG. 8

