



US00D642416S

(12) **United States Design Patent**
Scott et al.

(10) **Patent No.:** **US D642,416 S**

(45) **Date of Patent:** **** Aug. 2, 2011**

(54) **PORTABLE GRILL**

(75) Inventors: **Leon James Scott**, Atlanta, GA (US);
Jeffrey Travis Scott, Symma, GA (US);
Michael James Carlson, Atlanta, GA
(US)

(73) Assignee: **Onward Multi-Corp, Inc.**, Waterloo,
ON

(**) Term: **14 Years**

(21) Appl. No.: **29/319,831**

(22) Filed: **Jun. 16, 2008**

(51) **LOC (9) Cl.** **07-02**

(52) **U.S. Cl.** **D7/332**

(58) **Field of Classification Search** D7/332,
D7/334-337, 402-406; 126/25 R, 29-30,
126/25 A, 25 AA, 9 R, 9 B, 38, 37 R, 37 B,
126/40, 50, 43, 44, 45; 99/481-482, 445,
99/450

See application file for complete search history.

(56) **References Cited**

U.S. PATENT DOCUMENTS

D201,416 S *	6/1965	Sazegar	D7/337
D201,937 S *	8/1965	Johnson	D7/337
3,581,731 A	6/1971	Schulze		
3,611,915 A	10/1971	Glaser et al.		
3,664,322 A	5/1972	Clark		
4,026,266 A	5/1977	Cremer		
4,434,781 A	3/1984	Koziol		
D341,988 S *	12/1993	Endres	D7/337
5,406,930 A	4/1995	Ragland et al.		
D374,371 S *	10/1996	Hall McDonald	D7/332
D381,551 S	7/1997	Sternberg		
5,752,497 A	5/1998	Combs et al.		
5,782,168 A	7/1998	Krhnak		
5,819,718 A	10/1998	Leiser		
D403,553 S	1/1999	Graur		
5,983,882 A	11/1999	Ceravolo		

(Continued)

FOREIGN PATENT DOCUMENTS

WO WO2008063187 5/2008

OTHER PUBLICATIONS

Big Green Egg, World's Best Smoker and Grill, obtained from http://www.biggreenegg.com/eggs_XL.html, copyright 2007.

(Continued)

Primary Examiner — Ruth McInroy

(74) *Attorney, Agent, or Firm* — Bereskin and Parr
LLP/S.E.N.C.R.L., s.r.l.

(57) **CLAIM**

The ornamental design for a portable grill, as shown and described.

DESCRIPTION

FIG. 1 is a perspective view of a portable grill showing the top, right, and front of our new design.

FIG. 2 is a front view thereof.

FIG. 3 is a right view thereof.

FIG. 4 is a back view thereof.

FIG. 5 is a left view thereof.

FIG. 6 is a top view thereof.

FIG. 7 is a bottom view thereof.

FIG. 8 is another perspective view thereof with environmental structures.

FIG. 9 is another front view thereof with environmental structures.

FIG. 10 is another right view thereof with environmental structures.

FIG. 11 is another back view thereof with environmental structures.

FIG. 12 is another left view thereof with environmental structures.

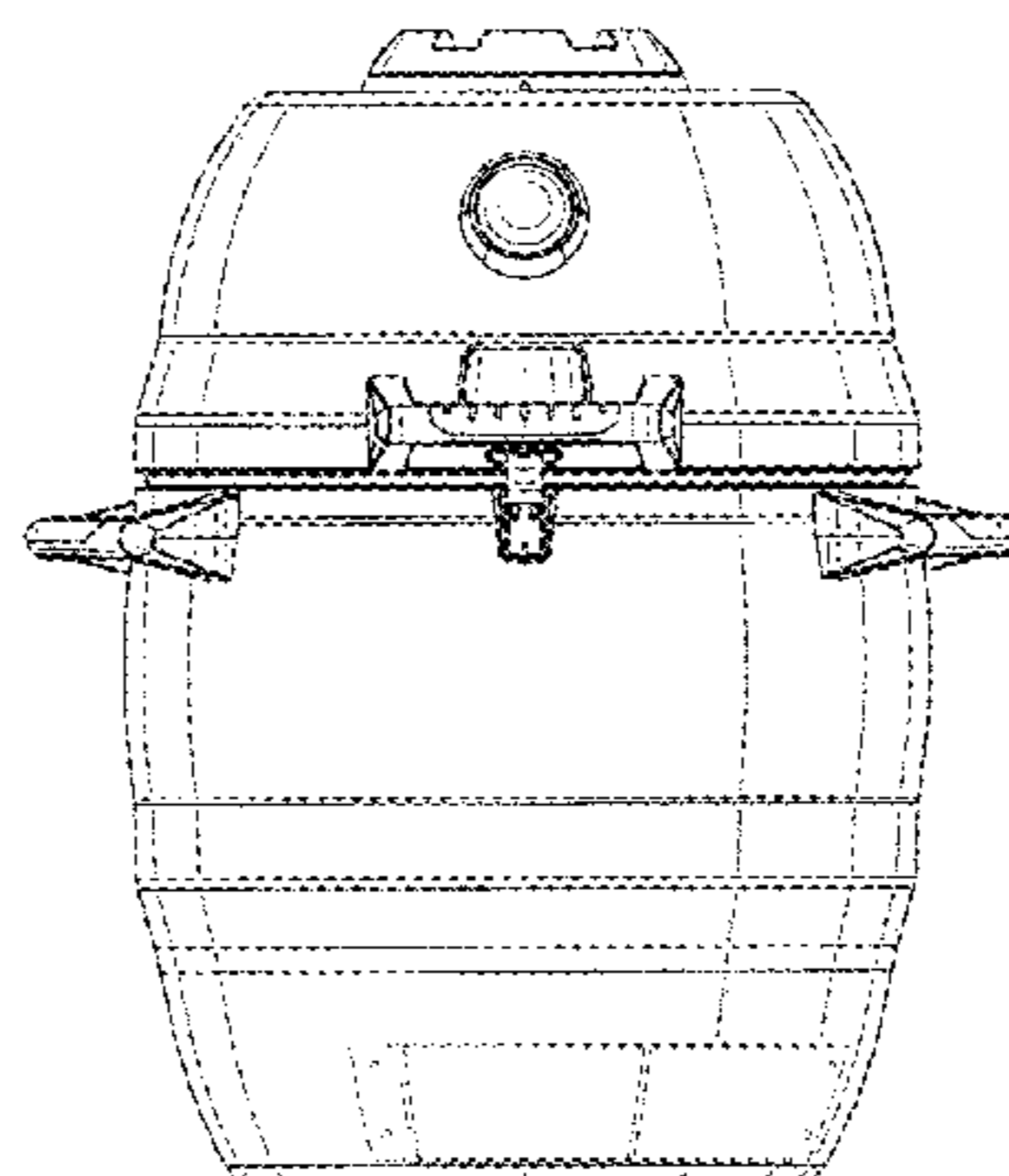
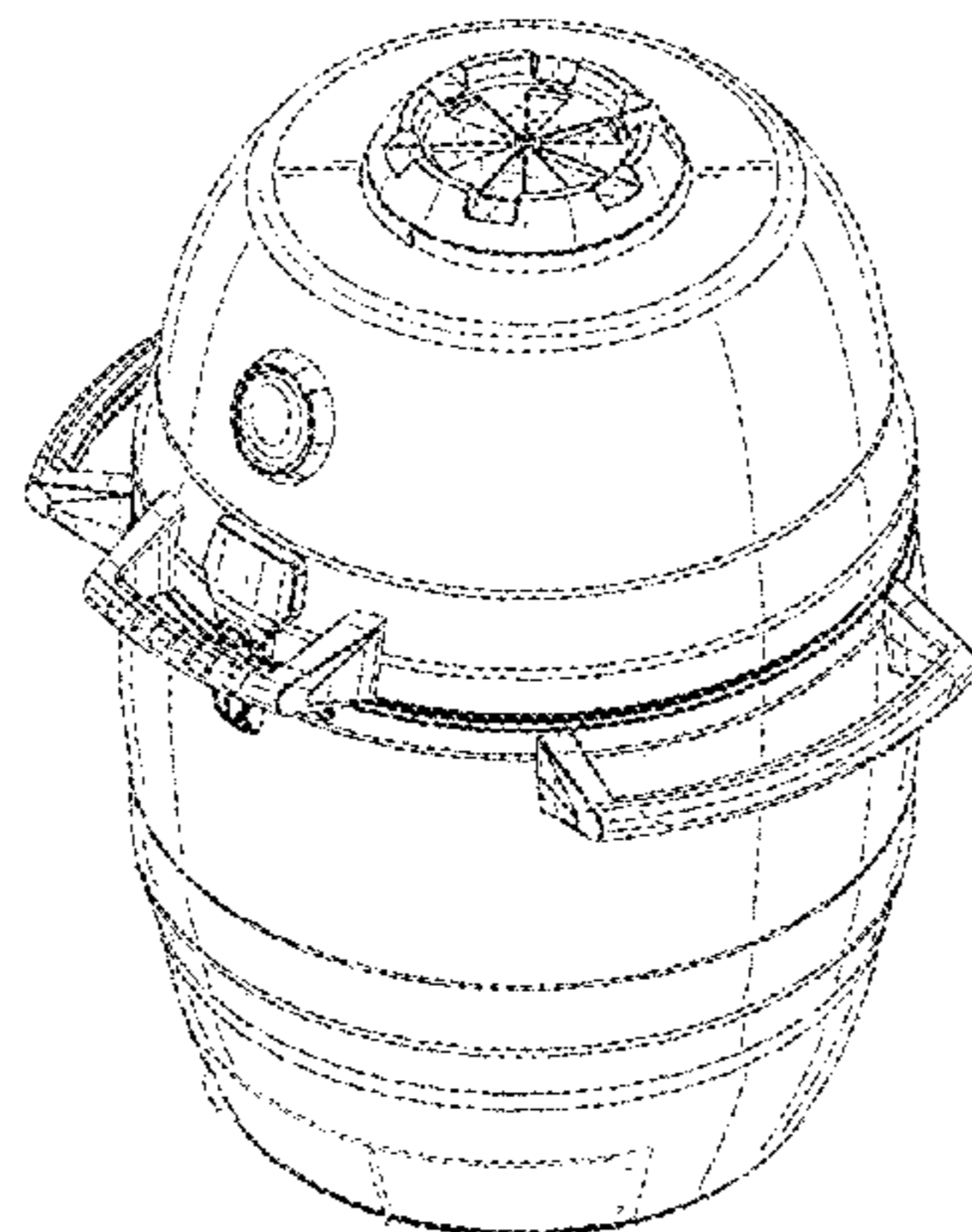
FIG. 13 is another top view thereof with environmental structures; and,

FIG. 14 is another bottom view thereof with environmental structures.

The broken line showing of FIGS. 7 and 14 is for the purpose of illustrating a boundary of the claimed design and forms no part of the claimed design.

The broken line showing of FIGS. 1-14 is for the purpose of illustrating environmental structures and forms no part of the claimed design.

1 Claim, 14 Drawing Sheets



U.S. PATENT DOCUMENTS

D420,243 S * 2/2000 Samaras D7/332
 6,119,679 A 9/2000 Galvin
 6,131,560 A 10/2000 Healy
 D449,269 S 10/2001 Gower
 D456,203 S 4/2002 Peloquin
 D457,029 S 5/2002 Wickizer
 D457,775 S 5/2002 Peloquin
 D463,196 S * 9/2002 Hsu D7/332
 D463,948 S * 10/2002 Innes D7/332
 D464,228 S 10/2002 Hsu
 D464,843 S 10/2002 Schulte et al.
 6,463,923 B2 10/2002 Carley et al.
 6,575,155 B2 6/2003 Brennan
 D481,903 S * 11/2003 Hester D7/332
 D486,348 S * 2/2004 Zhu D7/332
 6,725,855 B1 4/2004 Brennan
 6,941,941 B1 9/2005 Hall
 D550,022 S * 9/2007 Amajuwon et al. D7/332
 7,263,988 B2 9/2007 Viers
 D574,177 S * 8/2008 Hulsey D7/335
 D576,833 S * 9/2008 Mansell D7/332
 D583,185 S * 12/2008 Rutter et al. D7/334
 7,644,711 B2 1/2010 Creel
 D615,807 S 5/2010 Creel
 D615,814 S 5/2010 Creel
 2007/0047166 A1 3/2007 Creel
 2008/0078374 A1 4/2008 Polkinghorn

OTHER PUBLICATIONS

Freedom Grill Grilling Systems, obtained from <http://store.freedomgrill.com/servlet/Categories?category=Grills>, copyright 2006.
 Freedom Grill Grilling Systems, FG 50 Ride Outside Grill; obtained from <http://freedomgrill.com/FG-50.htm>, copyright 2006.
 Freedom Grill Grilling Systems; FG 100, obtained from <http://freedomgrill.com/FG-100.html>, copyright 2006.
 Freedom Grill Grilling Systems; FG 800, obtained from <http://freedomgrill.com/FG-800.html>, copyright 2006.
 Freedom Grill Grilling Systems; FG 900, obtained from <http://freedomgrill.com/FG-900.html>, copyright 2006.
 What is a Primo® Grill and Smoker?, obtained from <http://www.primogrill.com/>, copyright 2004.
 Primo® Grills and Smokers—Products, Large Size Round Kamado, obtained from <http://www.primogrill.com/>, copyright 2004.
 Primo® Grills and Smokers—Products, Oval Junior, obtained from <http://www.primogrill.com/>, copyright 2004.
 Weber 2007 Product Catalog, Ranch Kettle, pp. 32-33, dated 2007.
 PCT International Search Report re: corresponding application PCT/US209/047363, dated Jun. 15, 2009.

* cited by examiner

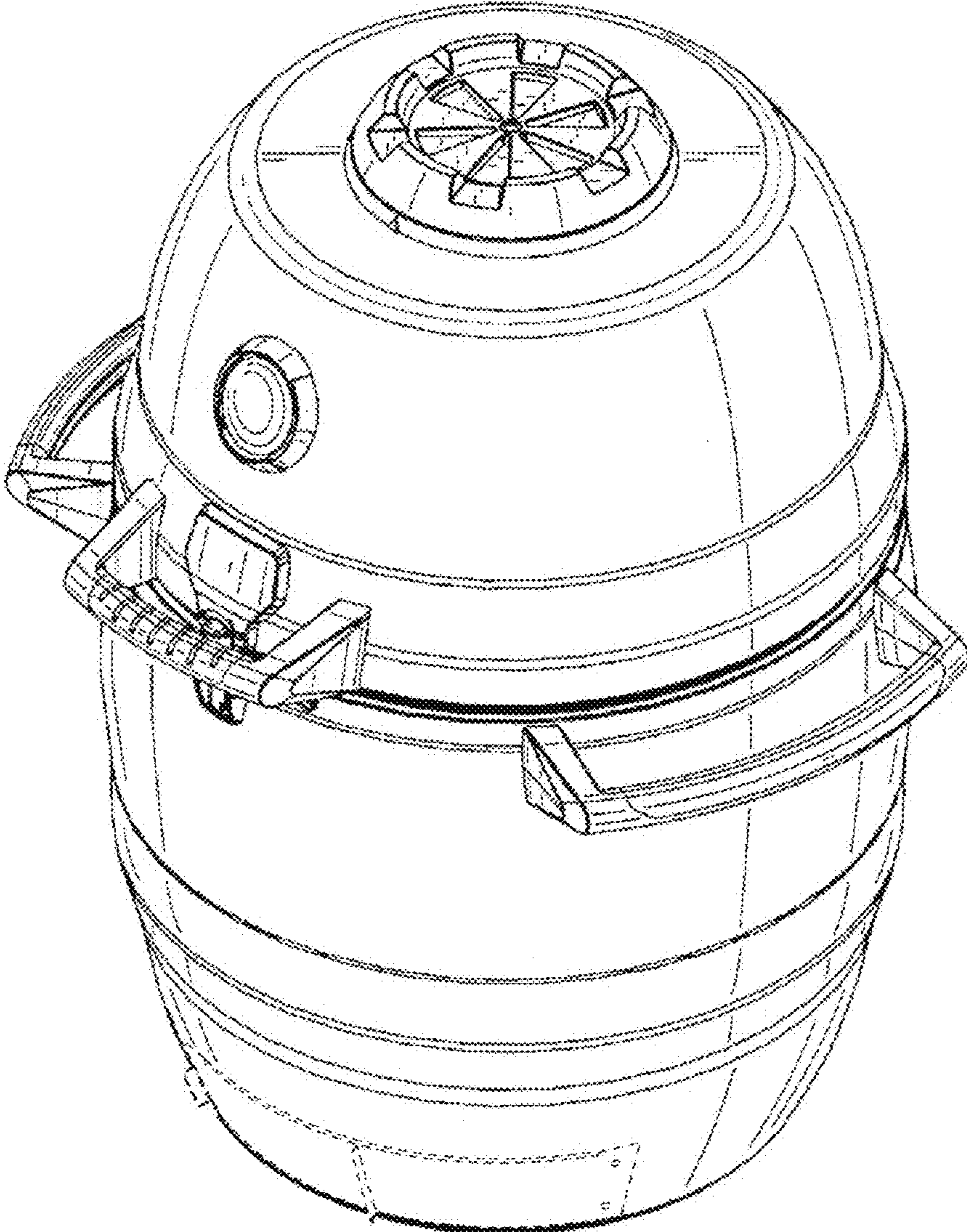


FIG. 1

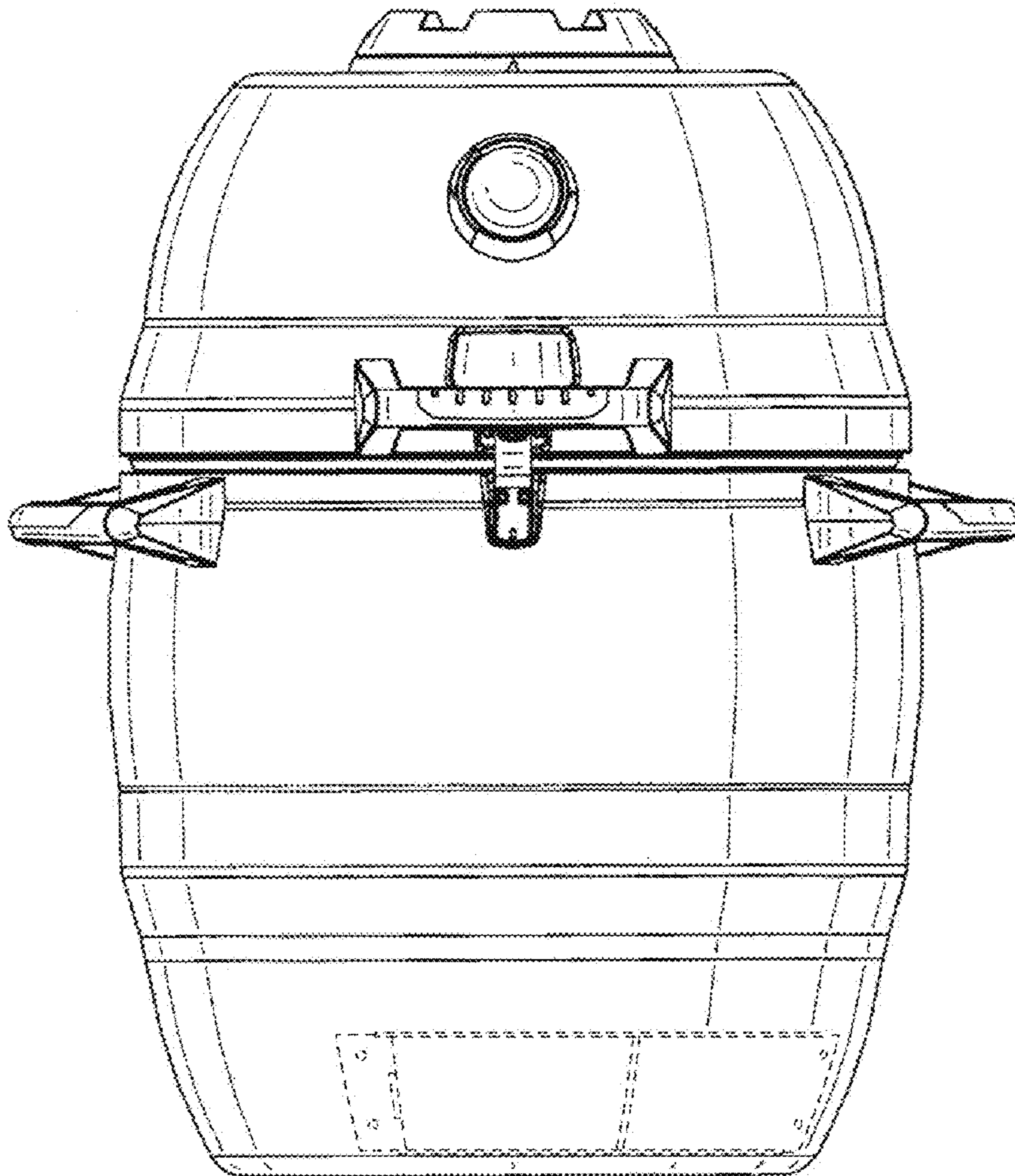


FIG. 2

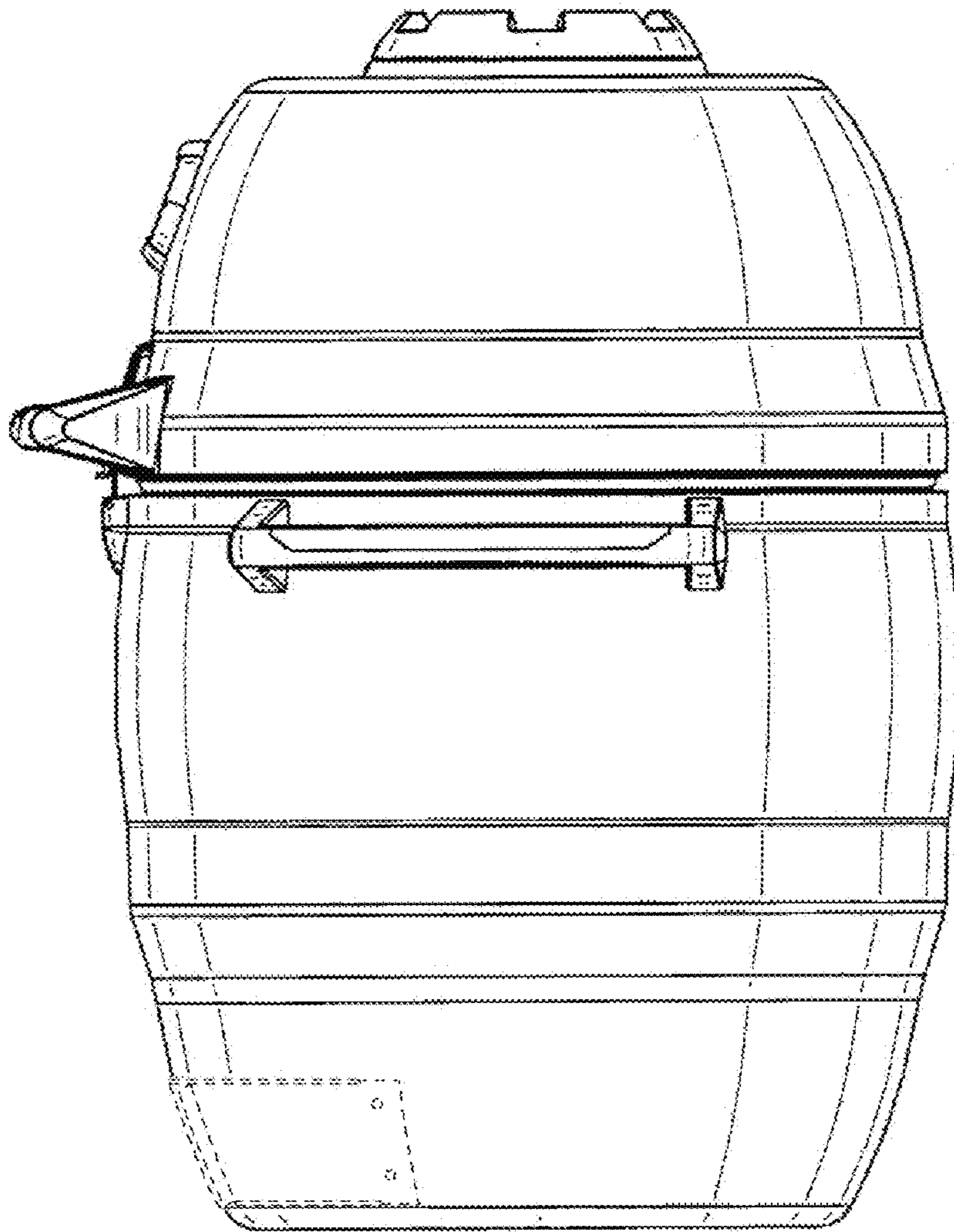


FIG. 3

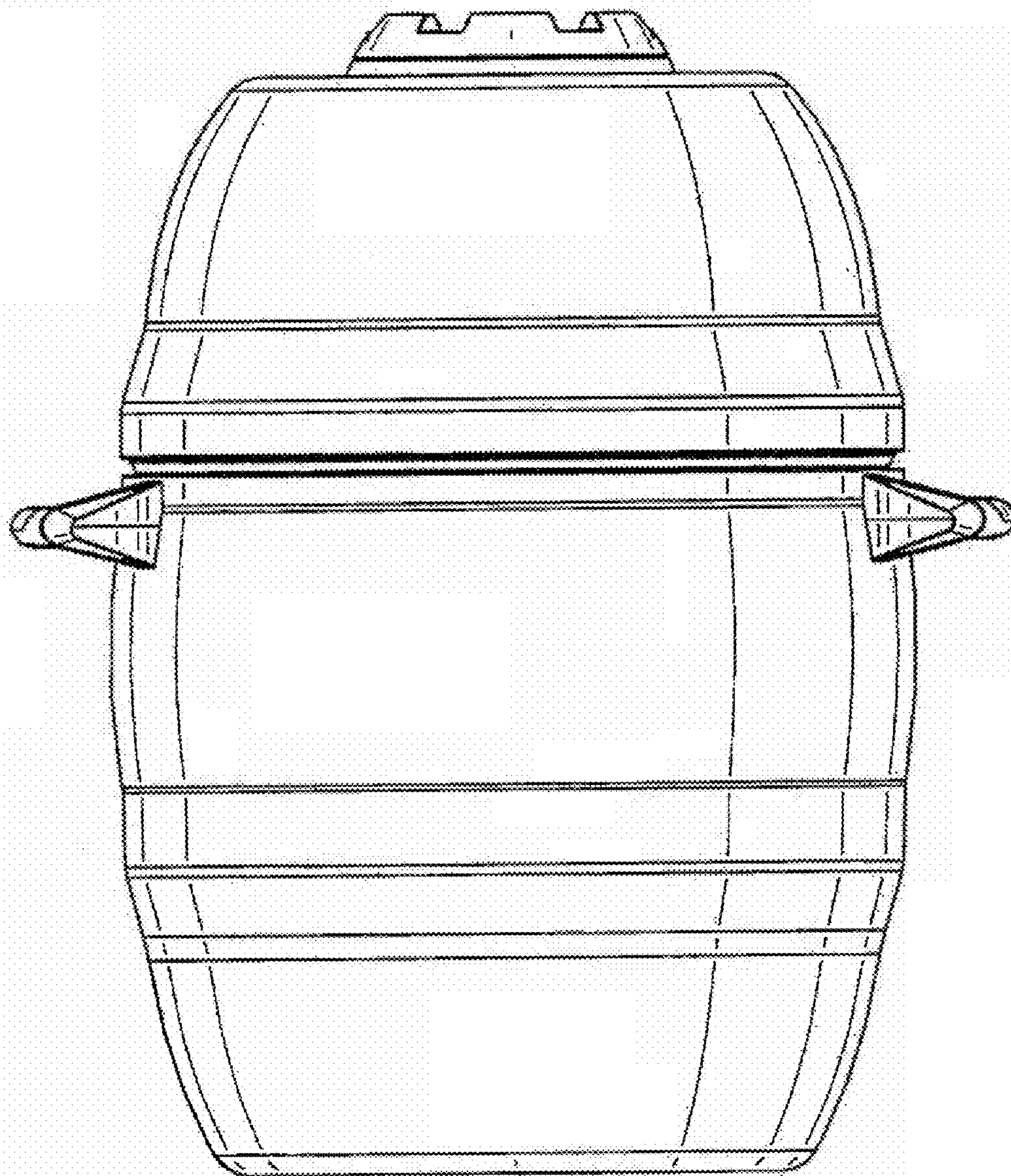


FIG. 4

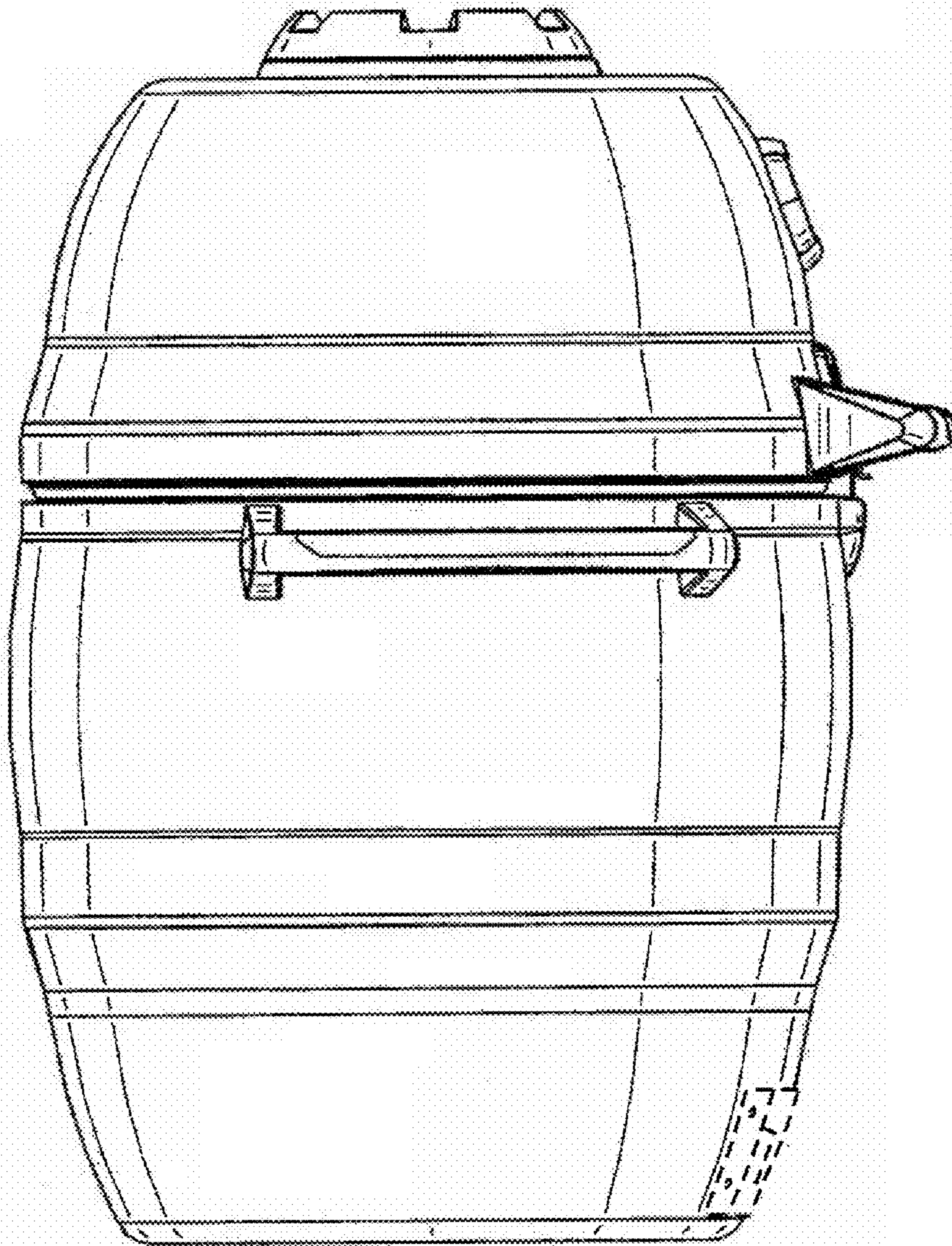


FIG. 5

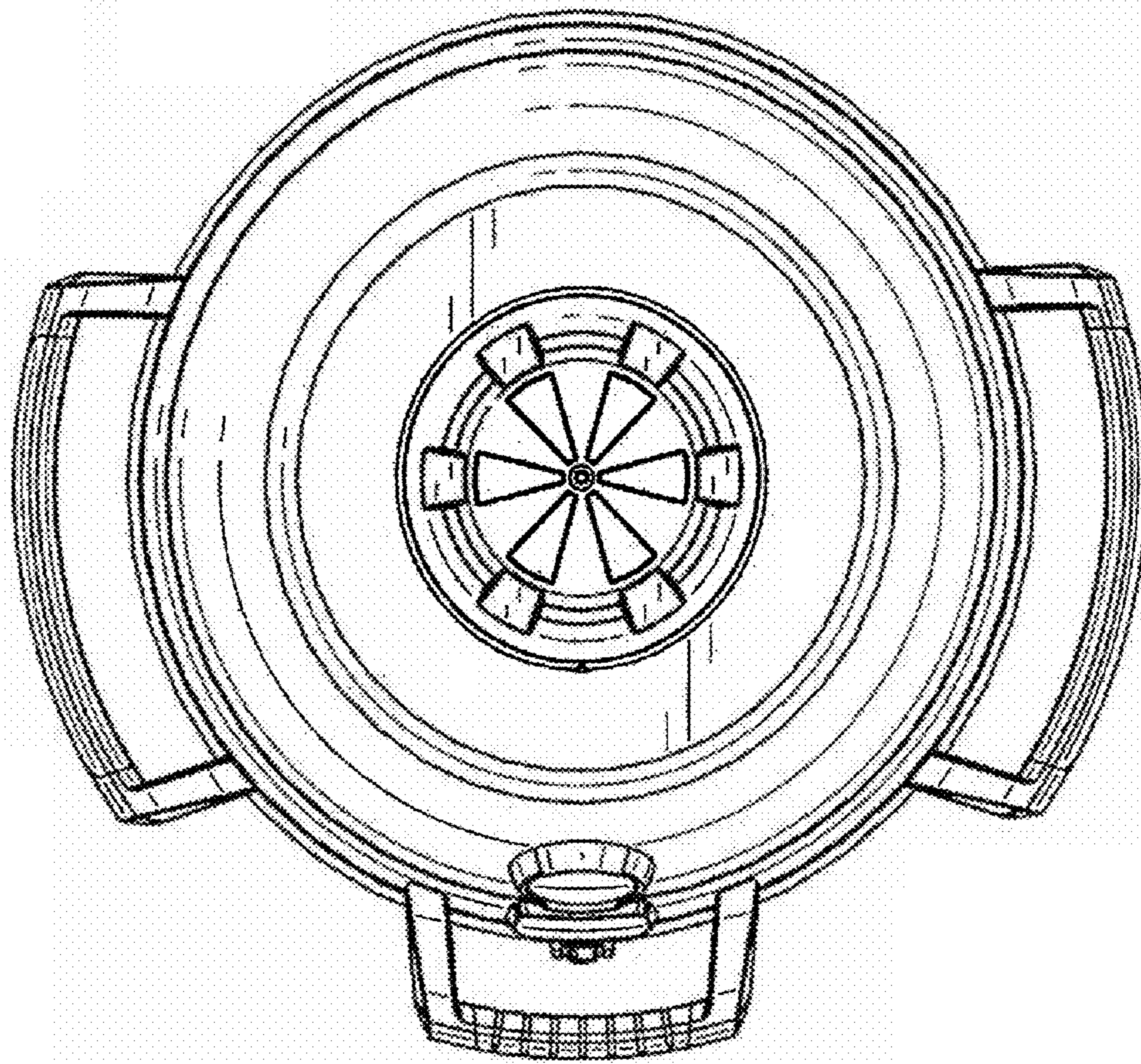


FIG. 6

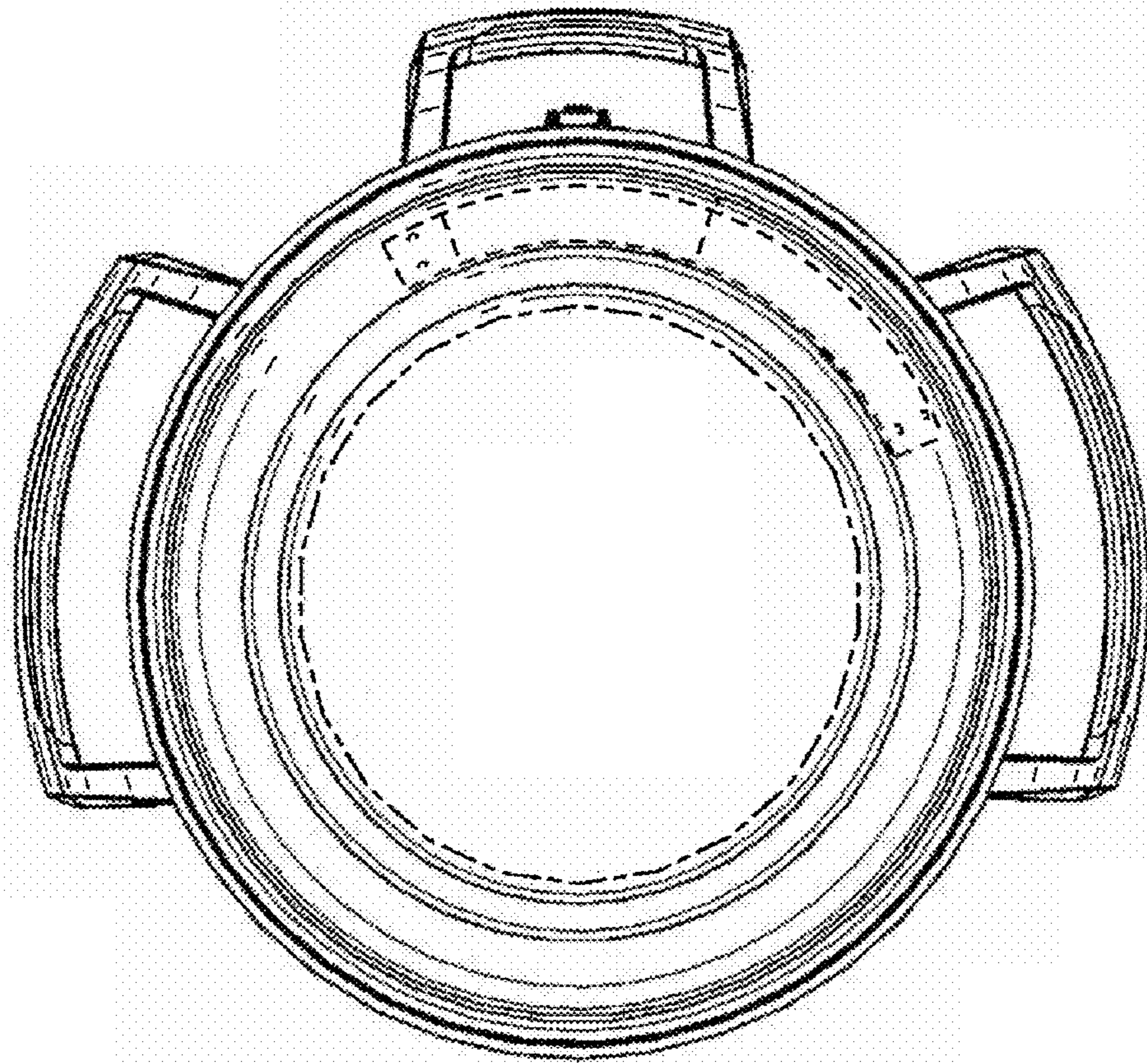


FIG. 7

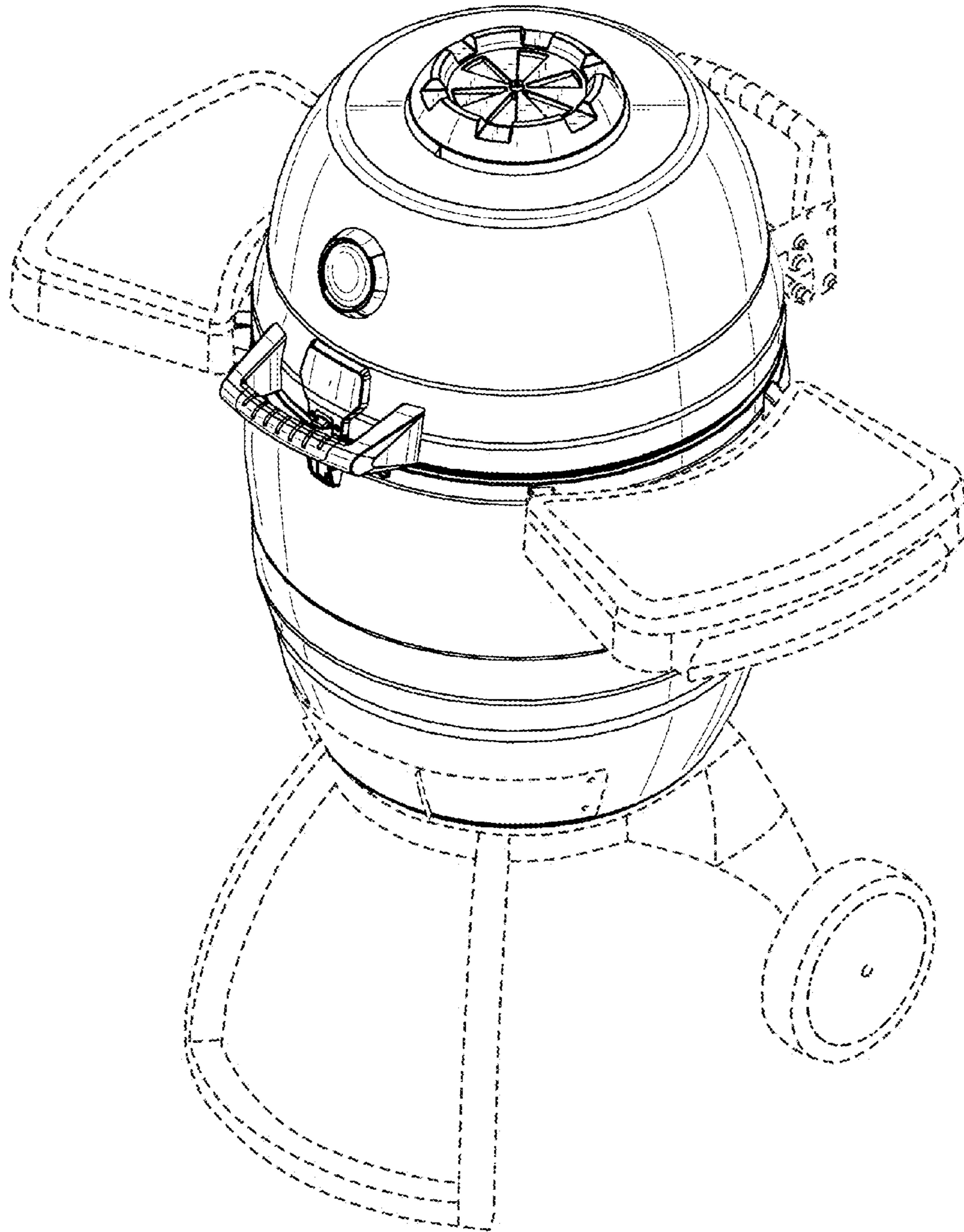


FIG. 8

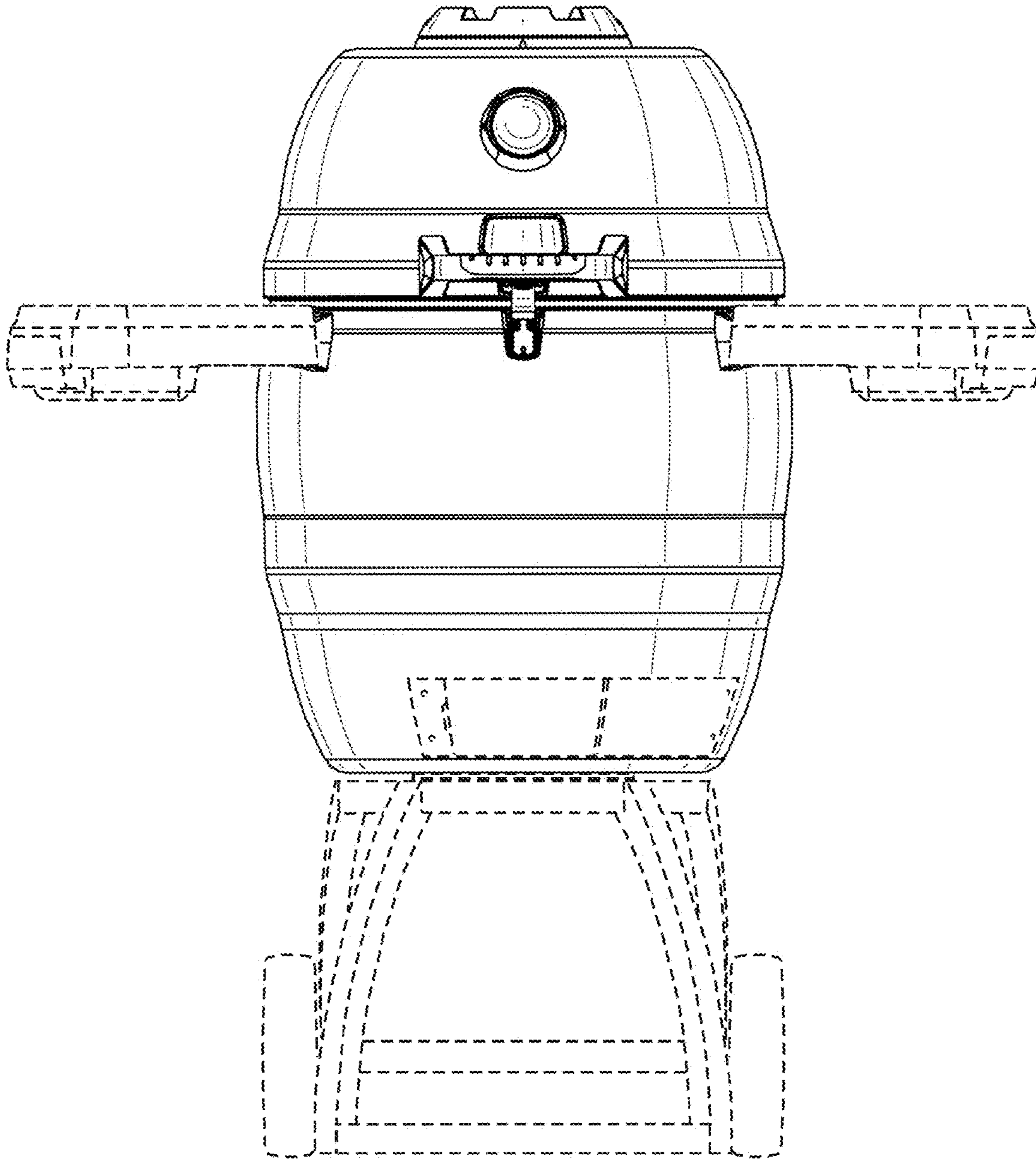


FIG. 9

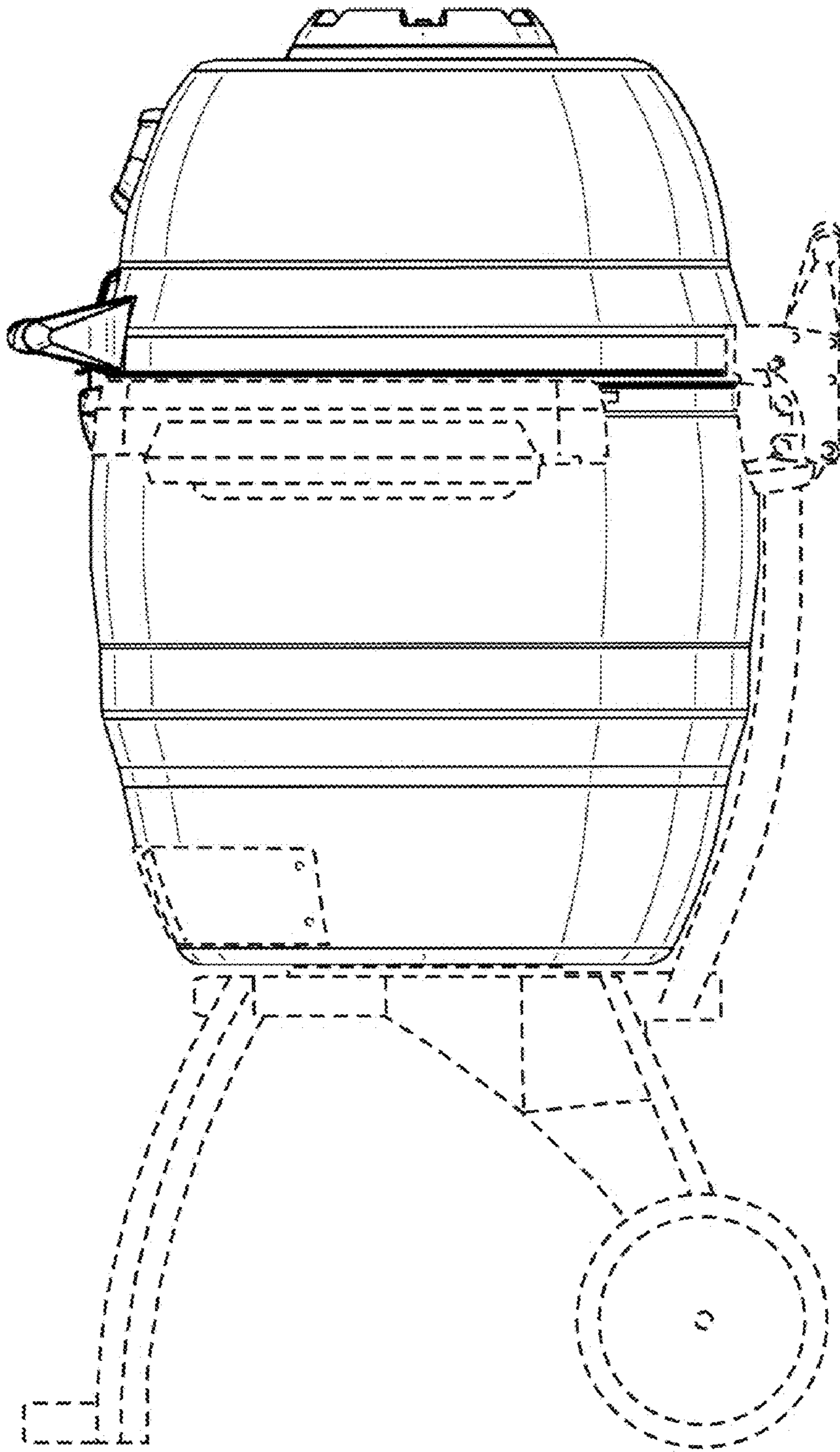


FIG. 10

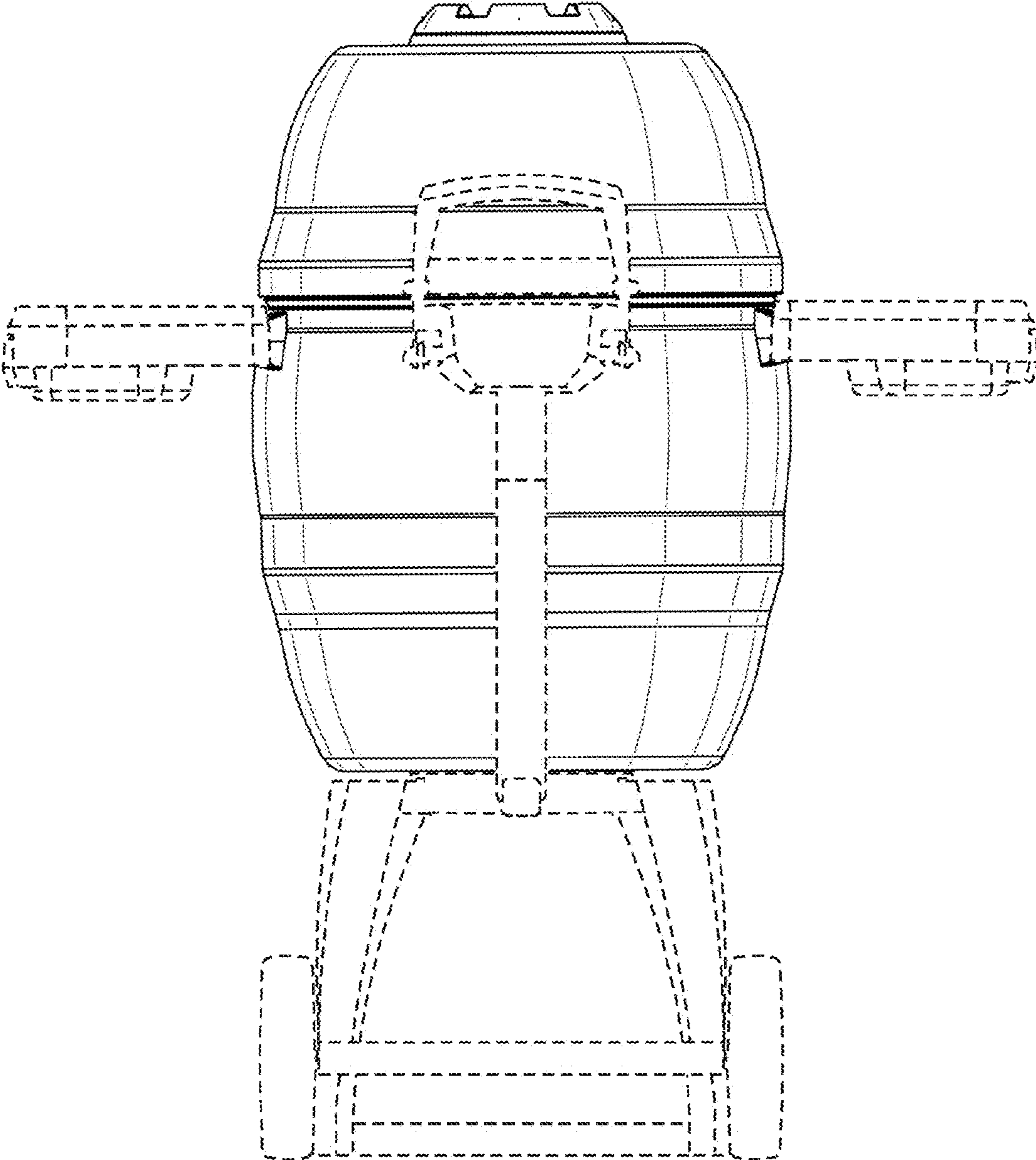


FIG. 11

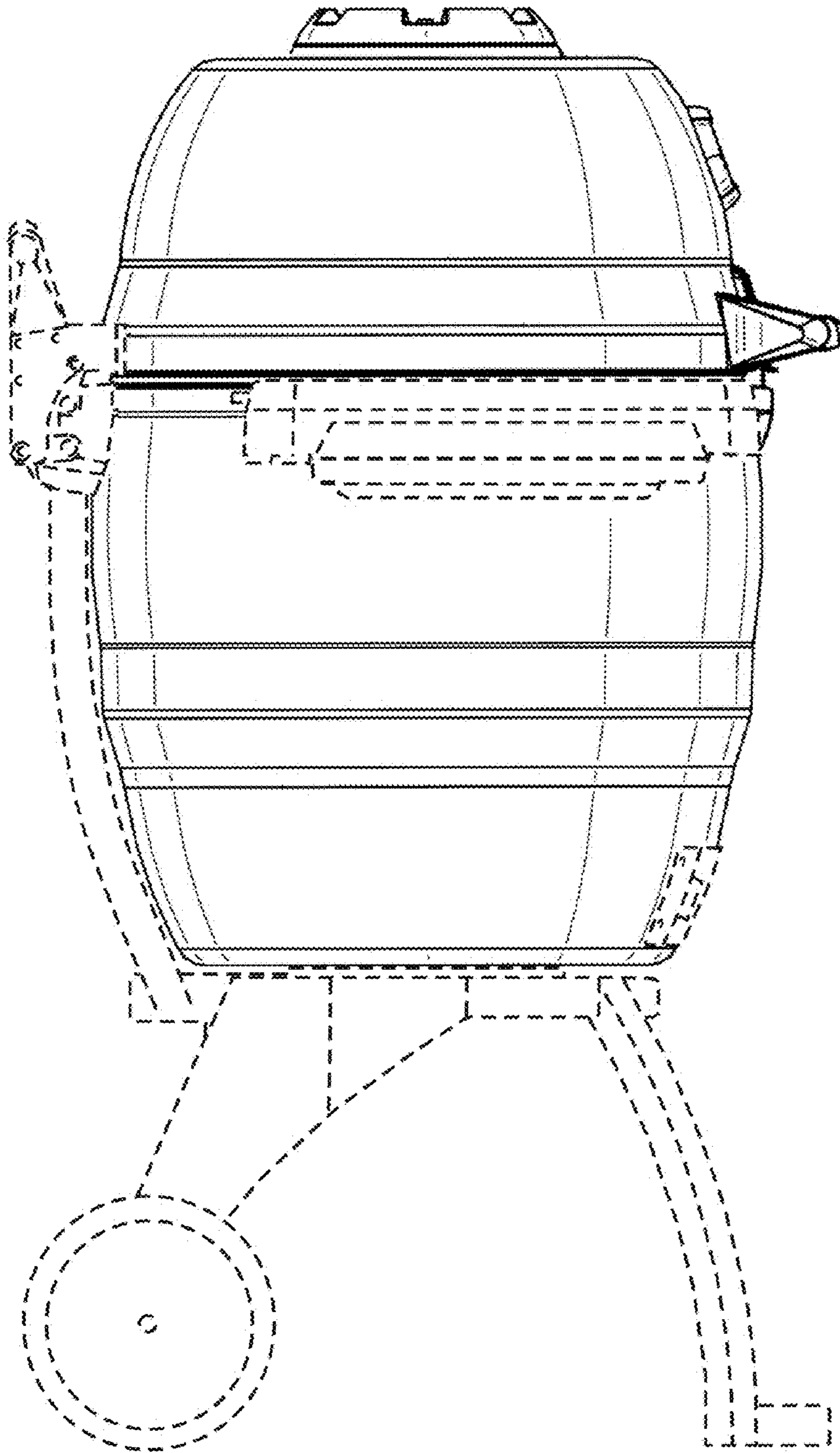


FIG. 12

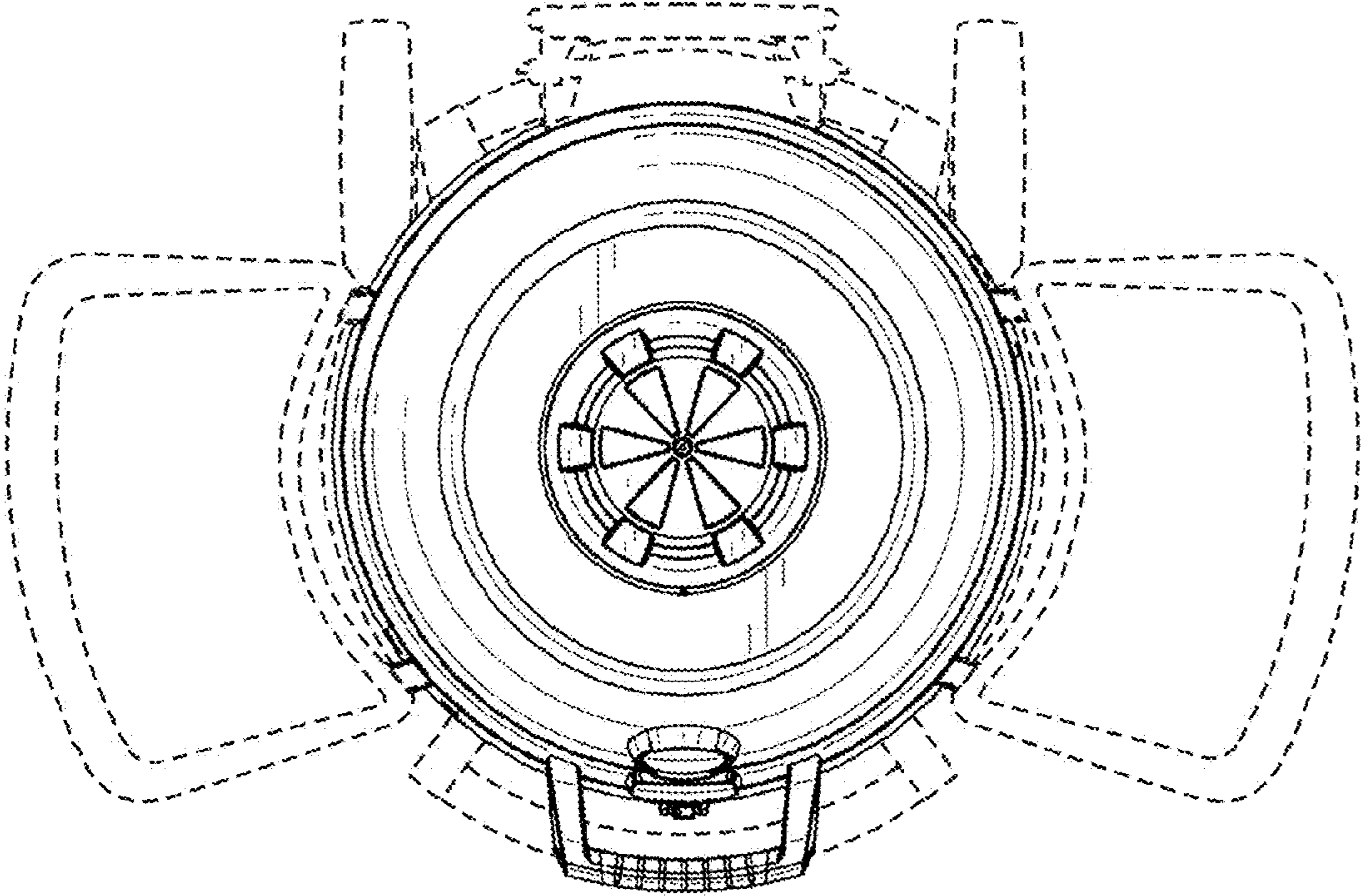


FIG. 13

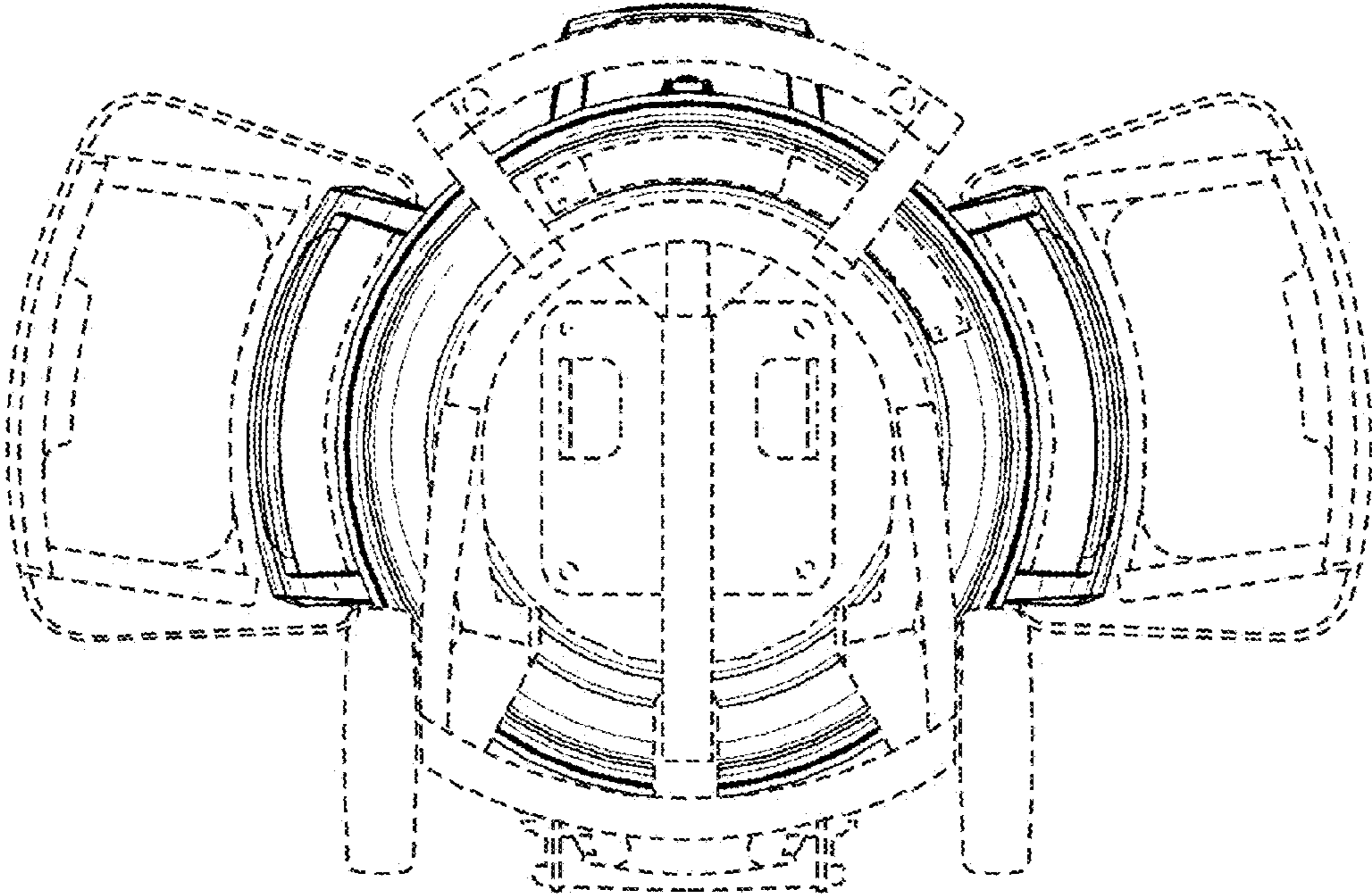


FIG. 14

UNITED STATES PATENT AND TRADEMARK OFFICE
CERTIFICATE OF CORRECTION

PATENT NO. : D642,416 S
APPLICATION NO. : 29/319831
DATED : August 2, 2011
INVENTOR(S) : Scott et al.

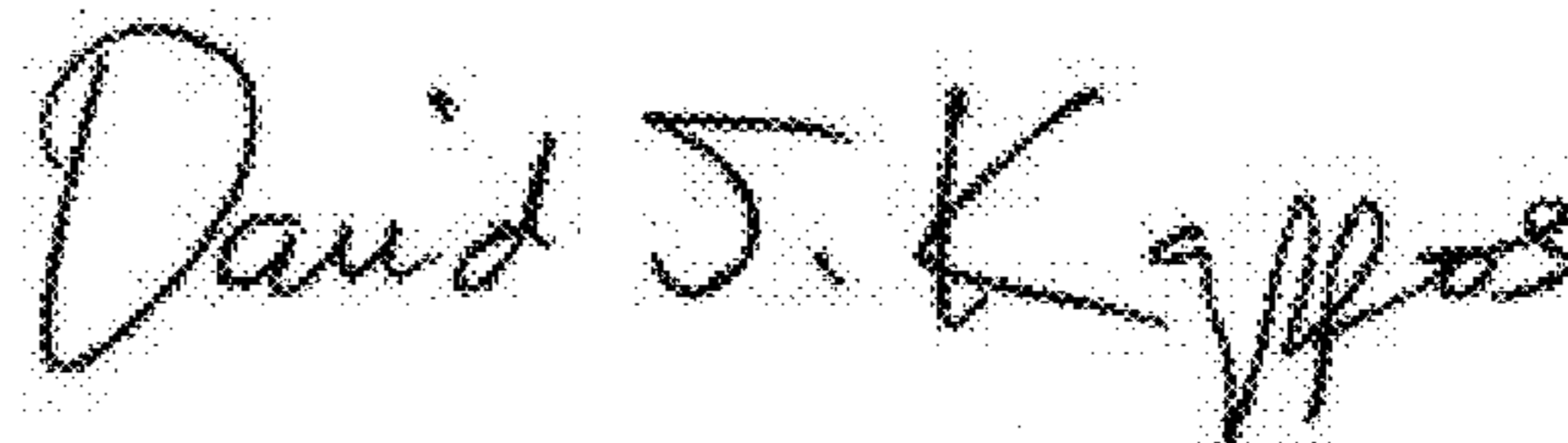
Page 1 of 9

It is certified that error appears in the above-identified patent and that said Letters Patent is hereby corrected as shown below:

Delete Title Page, and substitute therefor, new Title Page. (attached)

Delete Drawings Sheets 1-14, and substitute therefor, Drawing Sheets 1-7. (attached)

Signed and Sealed this
Tenth Day of January, 2012

A handwritten signature in black ink that reads "David J. Kappos". The signature is written in a cursive, slightly slanted style.

David J. Kappos
Director of the United States Patent and Trademark Office

(12) **United States Design Patent**
Scott et al.

(10) **Patent No.:** **US D642,416 S**
(45) **Date of Patent:** **** Aug. 2, 2011**

(54) **PORTABLE GRILL**

(75) **Inventors:** **Leon James Scott**, Atlanta, GA (US);
Jeffrey Travis Scott, Symma, GA (US);
Michael James Carlson, Atlanta, GA (US)

(73) **Assignee:** **Onward Multi-Corp, Inc.**, Waterloo, ON

(**) **Term:** **14 Years**

(21) **Appl. No.:** **29/319,831**

(22) **Filed:** **Jun. 16, 2008**

(51) **LOC (9) Cl.** **07-02**

(52) **U.S. Cl.** **D7/332**

(58) **Field of Classification Search** D7/332,
D7/334-337, 402-406; 126/25 R, 29-30,
126/25 A, 25 AA, 9 R, 9 B, 38, 37 R, 37 B,
126/40, 50, 43, 44, 45; 99/481-482, 445,
99/450

See application file for complete search history.

(56) **References Cited**

U.S. PATENT DOCUMENTS

D201,416 S *	6/1965	Sazegar	D7/337
D201,937 S *	8/1965	Johnson	D7/337
3,581,731 A	6/1971	Schulze		
3,611,915 A	10/1971	Glaser et al.		
3,664,322 A	5/1972	Clark		
4,026,266 A	5/1977	Cremer		
4,434,781 A	3/1984	Koziol		
D341,988 S *	12/1993	Endres	D7/337
5,406,930 A	4/1995	Ragland et al.		
D374,371 S *	10/1996	Hall McDonald	D7/332
D381,551 S	7/1997	Sternberg		
5,752,497 A	5/1998	Combs et al.		
5,782,168 A	7/1998	Krhnak		
5,819,718 A	10/1998	Leiser		
D403,553 S	1/1999	Graur		
5,983,882 A	11/1999	Ceravolo		

(Continued)

FOREIGN PATENT DOCUMENTS

WO WO2008063187 5/2008

OTHER PUBLICATIONS

Big Green Egg, World's Best Smoker and Grill, obtained from http://www.biggreenegg.com/eggs_XL.html, copyright 2007.

(Continued)

Primary Examiner — Ruth McInroy

(74) *Attorney, Agent, or Firm* — Bereskin and Parr LLP/S.E.N.C.R.L., s.r.l.

(57) **CLAIM**

The ornamental design for a portable grill, as shown and described.

DESCRIPTION

FIG. 1 is a perspective view of a portable grill showing the top, right, and front of our new design.

FIG. 2 is a front view thereof.

FIG. 3 is a right view thereof.

FIG. 4 is a back view thereof.

FIG. 5 is a left view thereof.

FIG. 6 is a top view thereof.

FIG. 7 is a bottom view thereof.

FIG. 8 is another perspective view thereof with environmental structures.

FIG. 9 is another front view thereof with environmental structures.

FIG. 10 is another right view thereof with environmental structures.

FIG. 11 is another back view thereof with environmental structures.

FIG. 12 is another left view thereof with environmental structures.

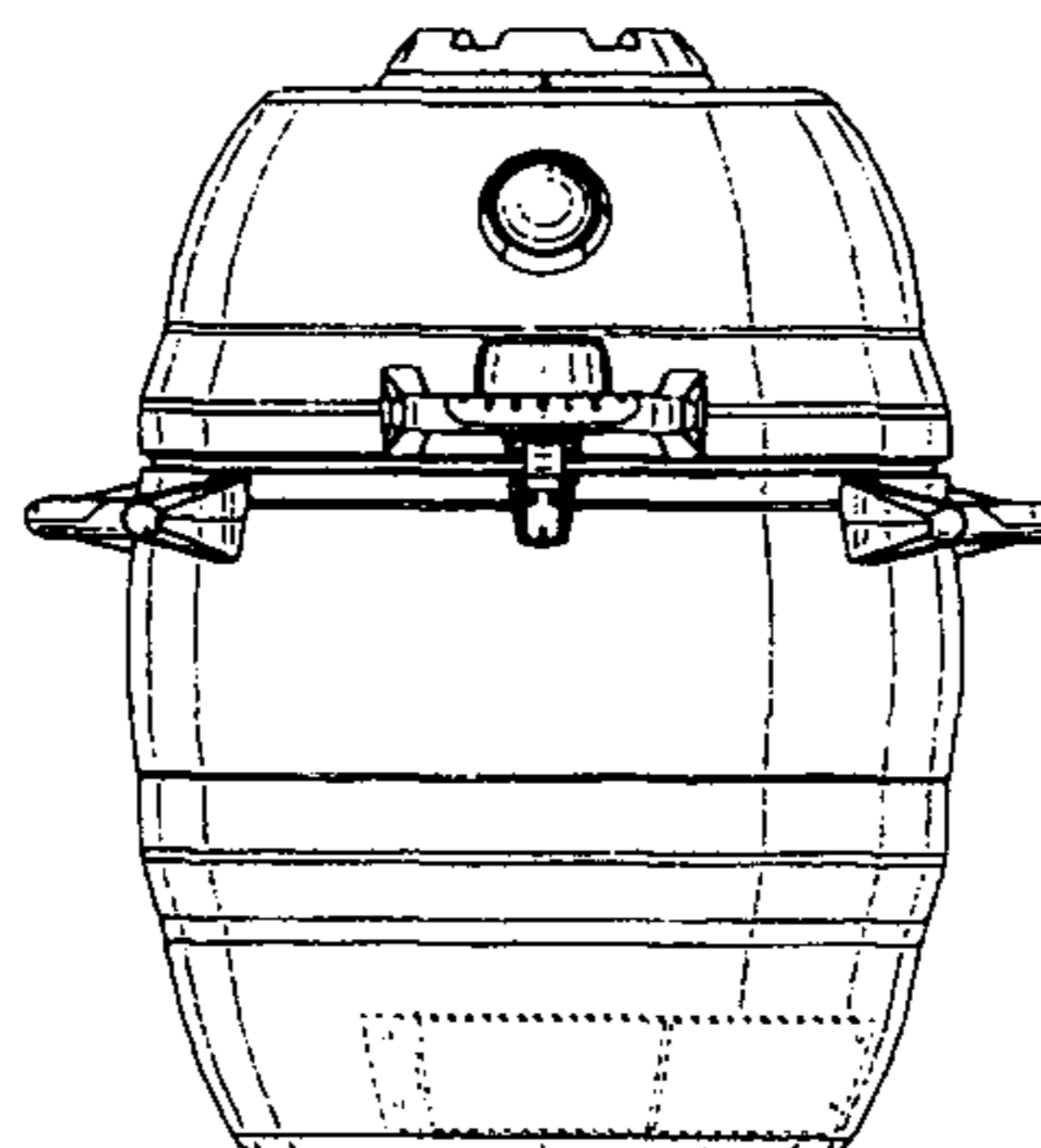
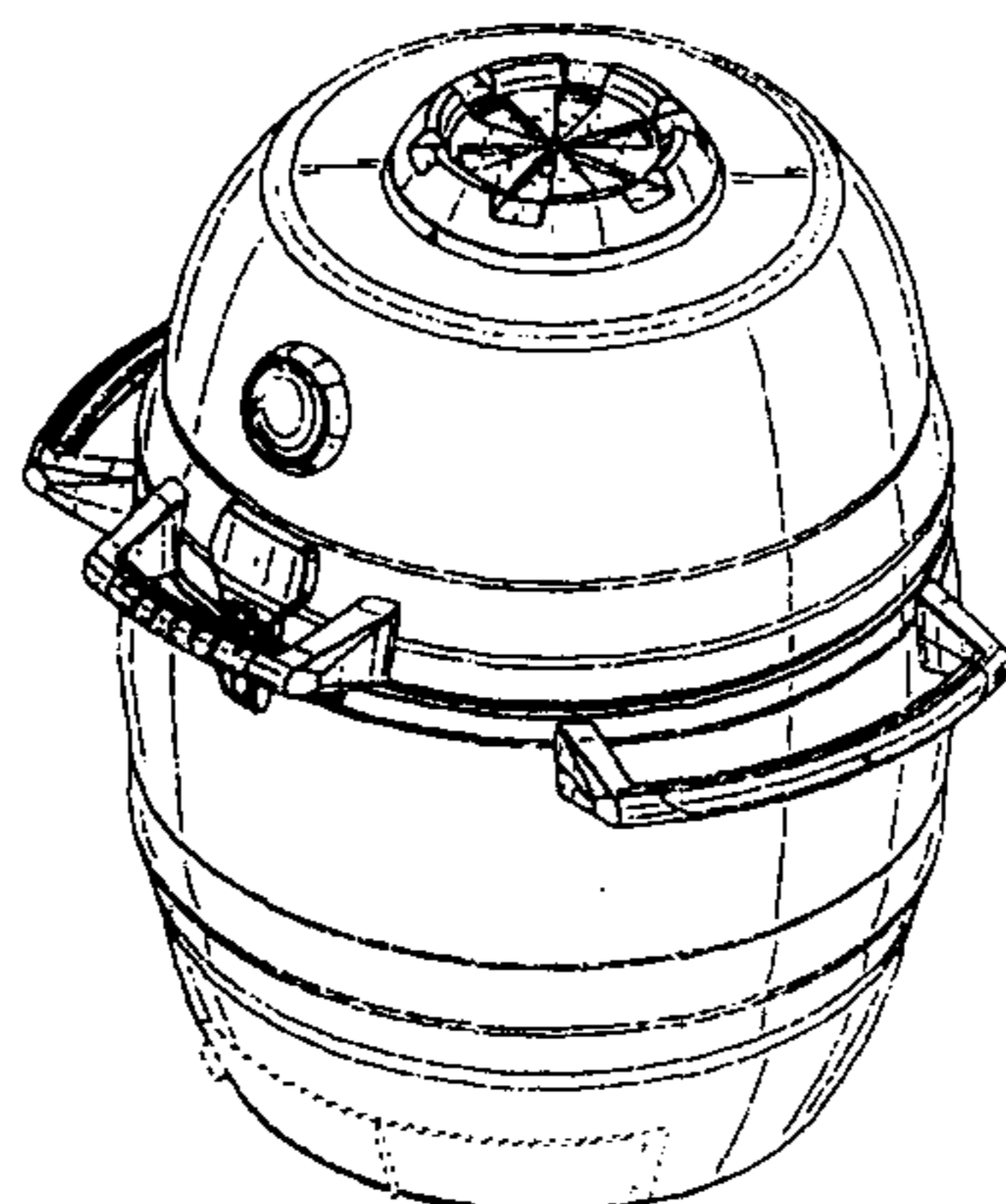
FIG. 13 is another top view thereof with environmental structures; and,

FIG. 14 is another bottom view thereof with environmental structures.

The broken line showing of FIGS. 7 and 14 is for the purpose of illustrating a boundary of the claimed design and forms no part of the claimed design.

The broken line showing of FIGS. 1-14 is for the purpose of illustrating environmental structures and forms no part of the claimed design.

1 Claim, 7 Drawing Sheets



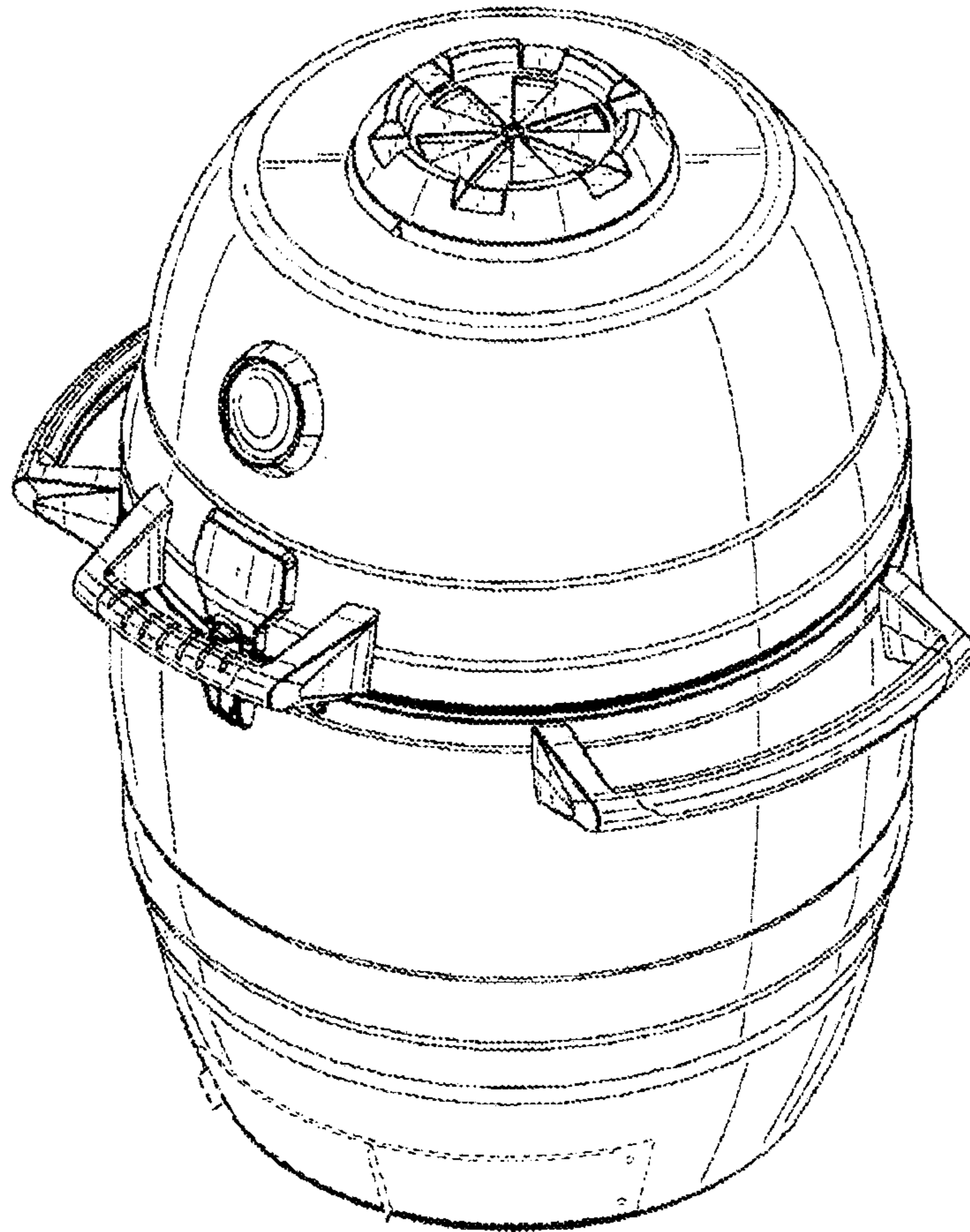


FIG. 1

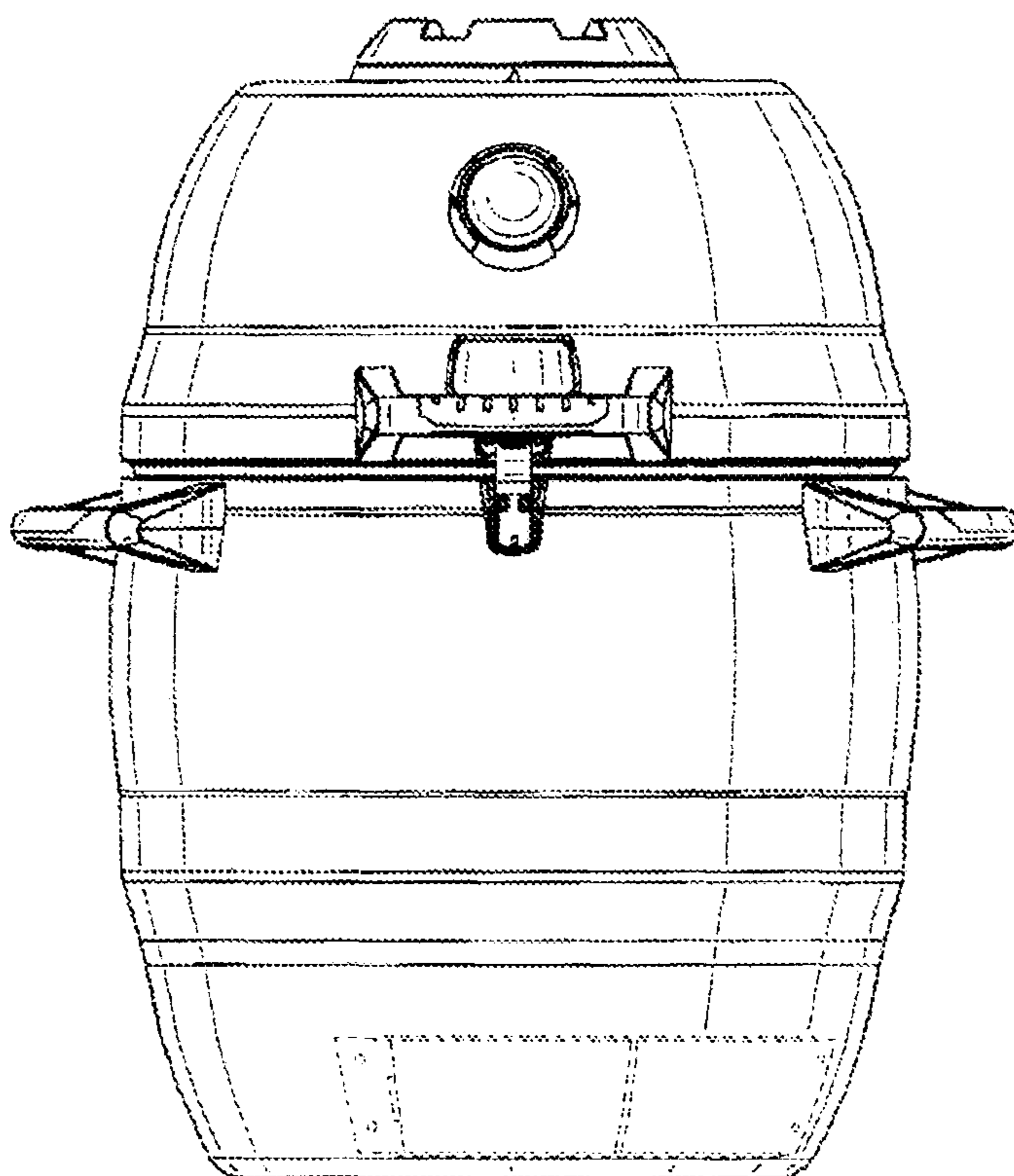


FIG. 2

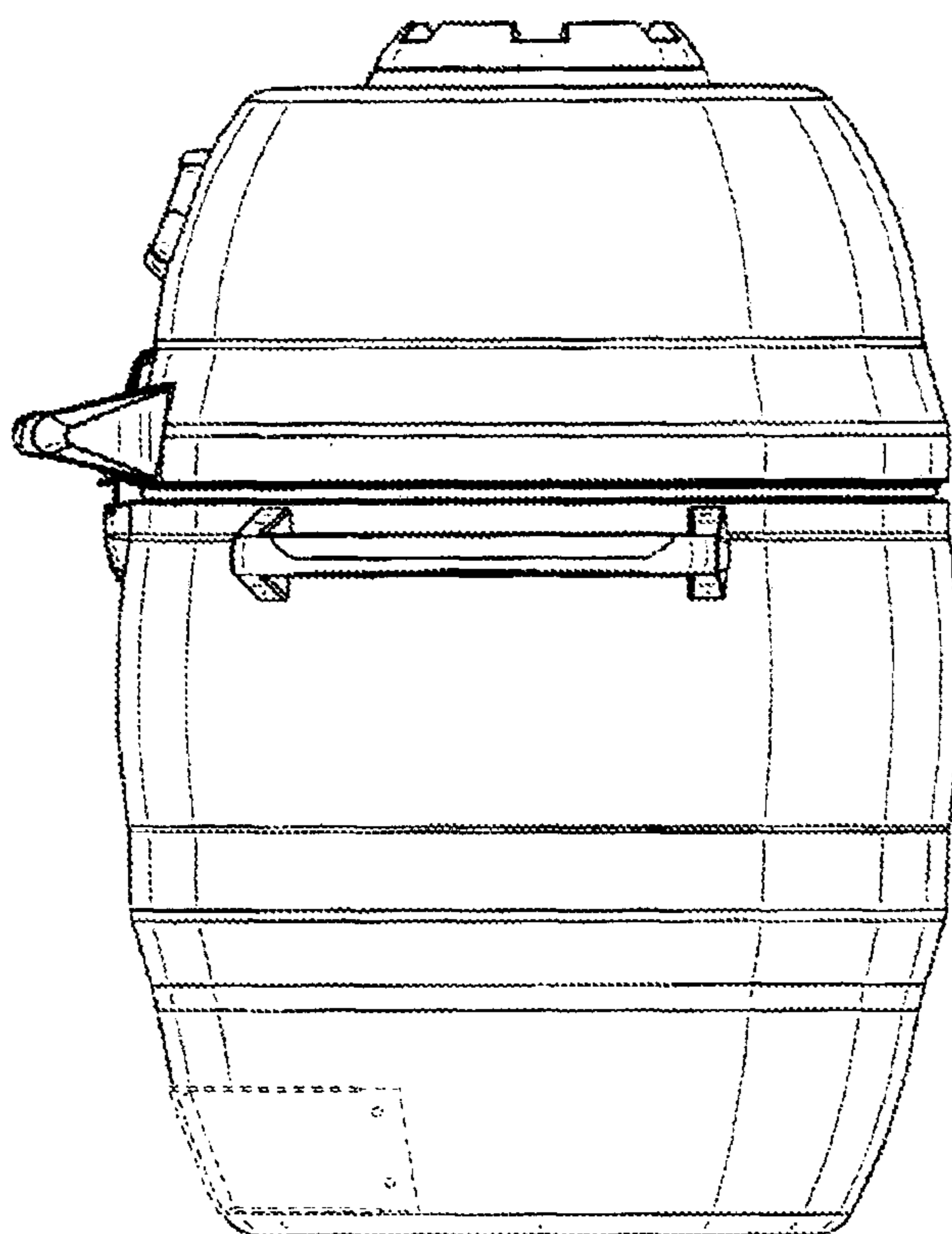


FIG. 3

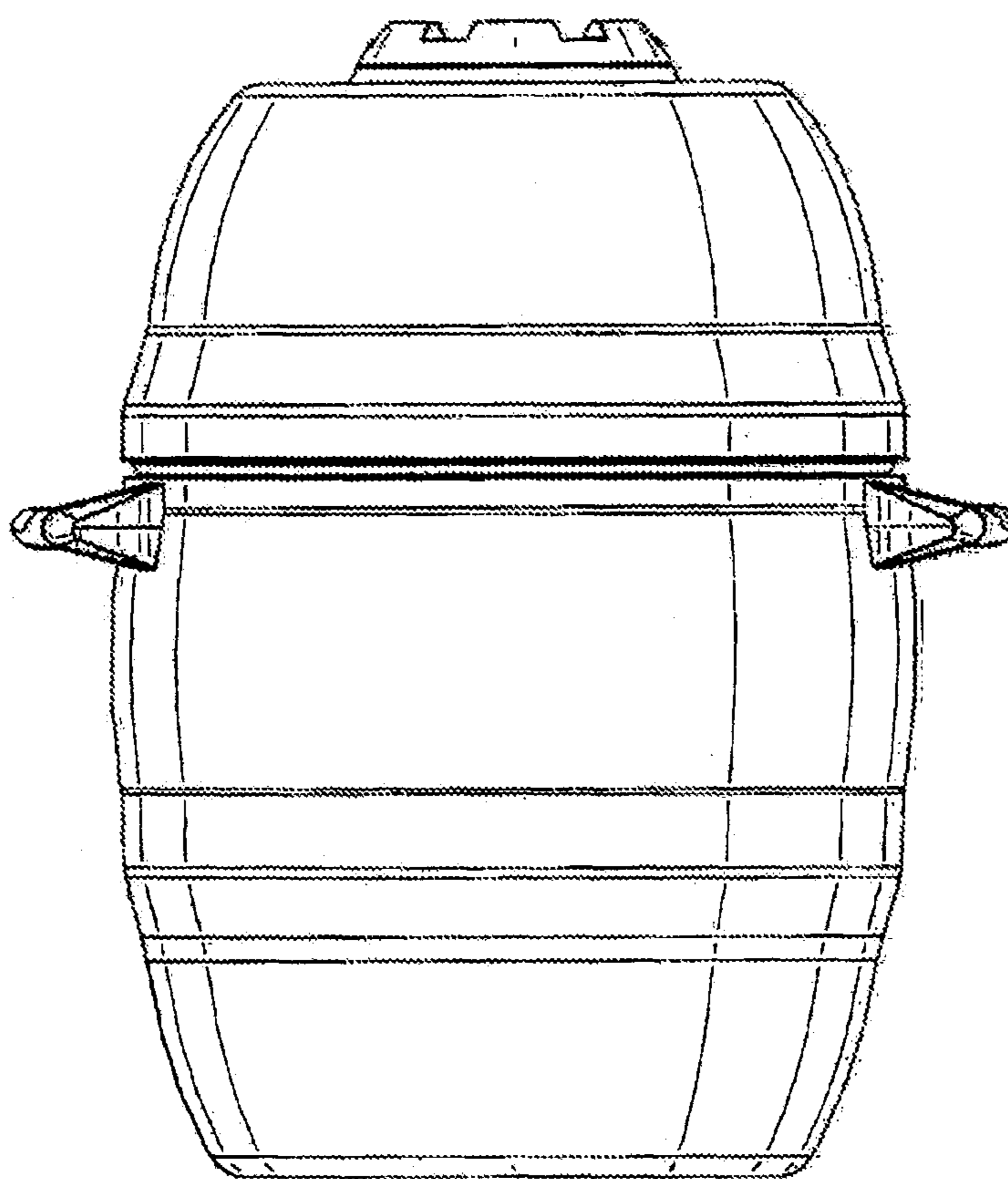


FIG. 4

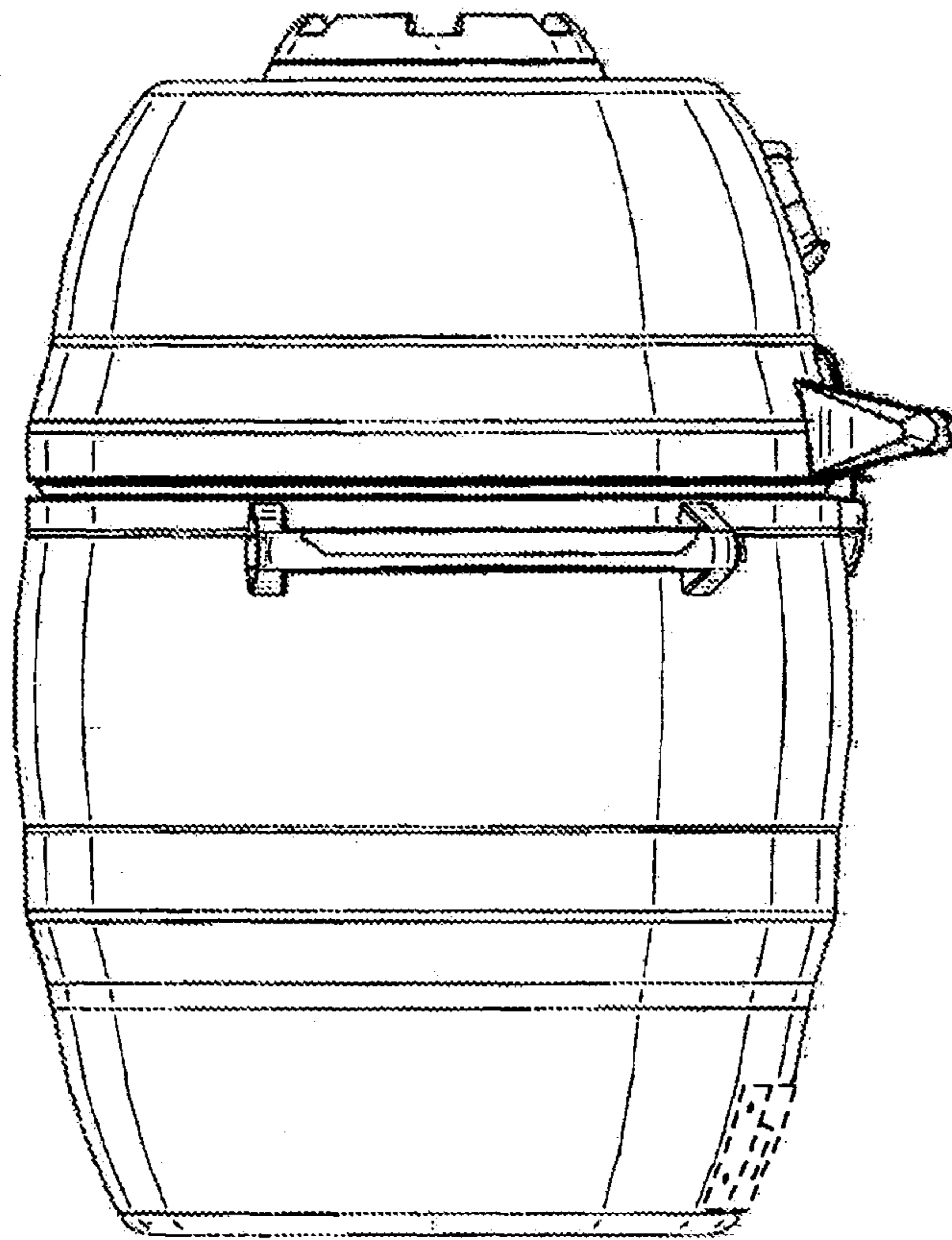


FIG. 5

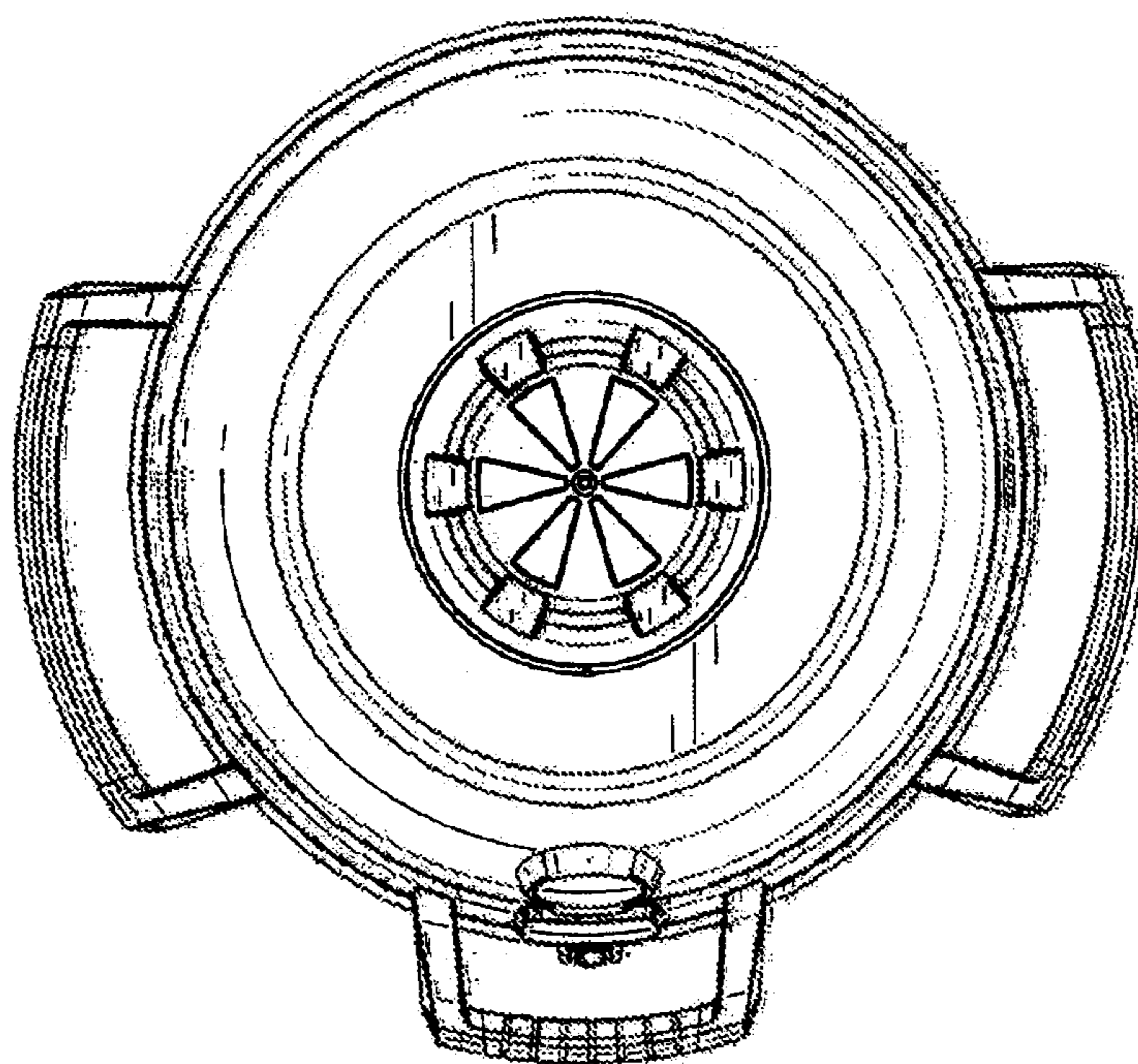


FIG. 6

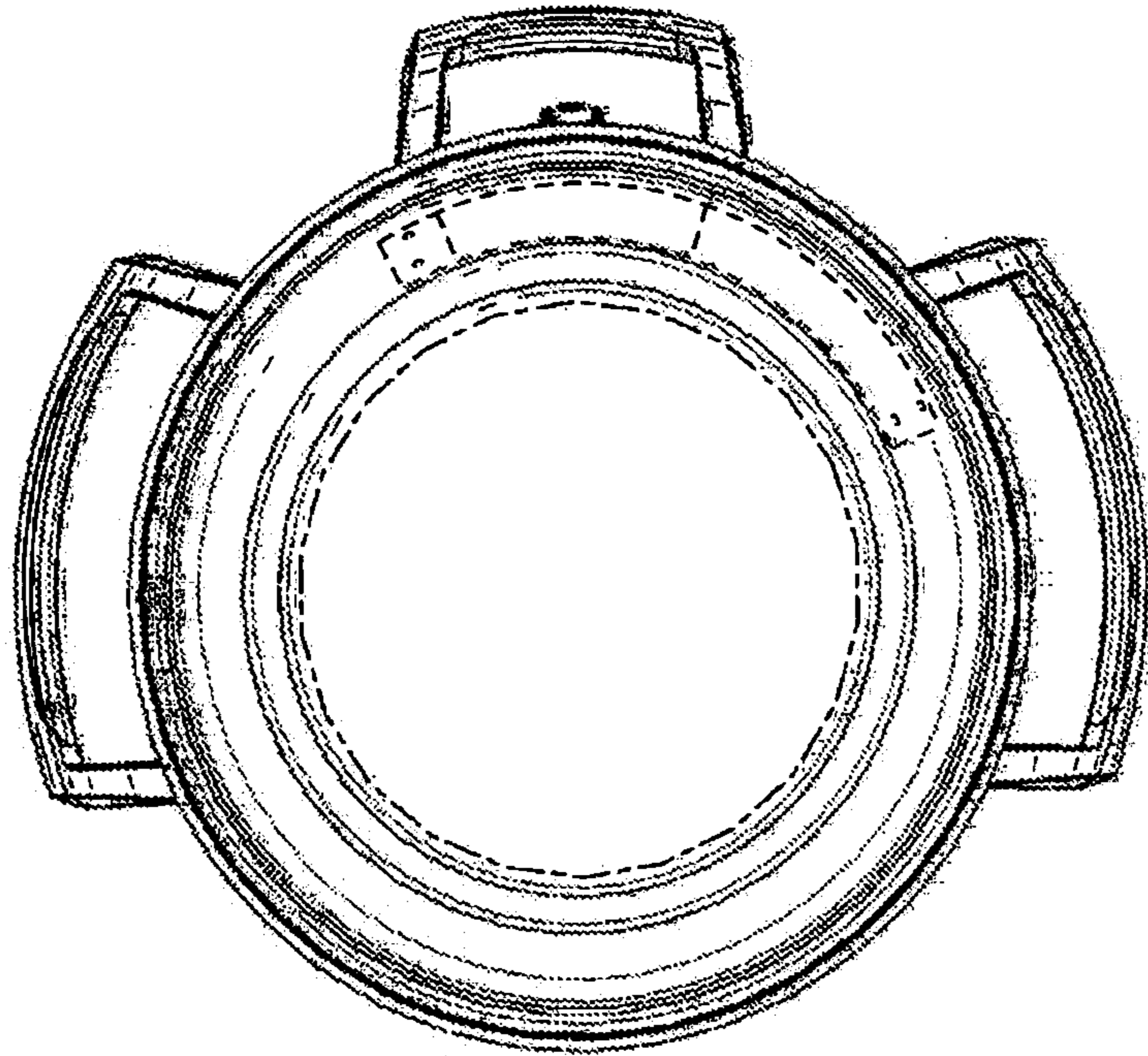


FIG. 7