



US00D642414S

(12) **United States Design Patent**  
**Wynalda, Jr. et al.**

(10) **Patent No.:** **US D642,414 S**  
(45) **Date of Patent:** **\*\* Aug. 2, 2011**

(54) **MEDIA DISC STORAGE CONTAINER**

(76) Inventors: **Robert M. Wynalda, Jr.**, Comstock Park, MI (US); **Robert G. Rajter, Jr.**, Rockford, MI (US)

(\*\*) Term: **14 Years**

(21) Appl. No.: **29/336,214**

(22) Filed: **Apr. 29, 2009**

(51) **LOC (9) Cl.** ..... **06-04**

(52) **U.S. Cl.** ..... **D6/627; D6/407**

(58) **Field of Classification Search** ..... D6/407, D6/510, 626-635; D9/415, 418, 420, 422-426, D9/428, 432-433; D19/26-27; 206/307, 206/307.1, 308.1, 309-313, 308.2, 308.3, 206/445, 387.15, 749, 751; D3/273, 294, D3/295, 299-301, 303-304, 218, 201, 270; 312/9.1, 902, 9.9, 9.48, 9.55, 9.64, 9.47, 312/9.53; D14/478-479; 40/495; 434/404

See application file for complete search history.

(56) **References Cited**

U.S. PATENT DOCUMENTS

87,804 A	3/1869	Tapley	
909,410 A	1/1909	Hirsch	
958,059 A	5/1910	Wright	
1,368,803 A	2/1921	Johnson	
1,398,746 A	11/1921	Smiler et al.	
1,441,860 A	1/1923	Krause	
2,345,230 A *	3/1944	Bender	206/311
3,200,517 A	8/1965	Amerigo	
3,289,334 A	12/1966	Forest	
3,337,119 A	8/1967	Bowers	
3,826,360 A	7/1974	Shore	
4,488,644 A	12/1984	Wynalda	
RE32,296 E	11/1986	Wynalda	
5,096,064 A	3/1992	Rufo	
5,101,973 A	4/1992	Martinez	

D339,063 S	9/1993	Simon	
5,333,728 A *	8/1994	O'Brien et al.	206/232
5,422,875 A	6/1995	Bribach	
D360,360 S	7/1995	Kiolbasa	
D362,367 S	9/1995	Olsson et al.	
5,460,265 A	10/1995	Kiolbasa	
D371,072 S	6/1996	Baker et al.	
5,662,216 A	9/1997	Nesbitt	
5,669,491 A	9/1997	Petty	

(Continued)

FOREIGN PATENT DOCUMENTS

WO WO 2009/102993 A2 8/2009

OTHER PUBLICATIONS

Office action in related U.S. Appl. No. 12/366,456, filed Feb. 2-5, 2009 (the published application has cited in earlier IDS).

*Primary Examiner* — T. Chase Nelson

(74) *Attorney, Agent, or Firm* — Zollinger & Burleson Ltd.

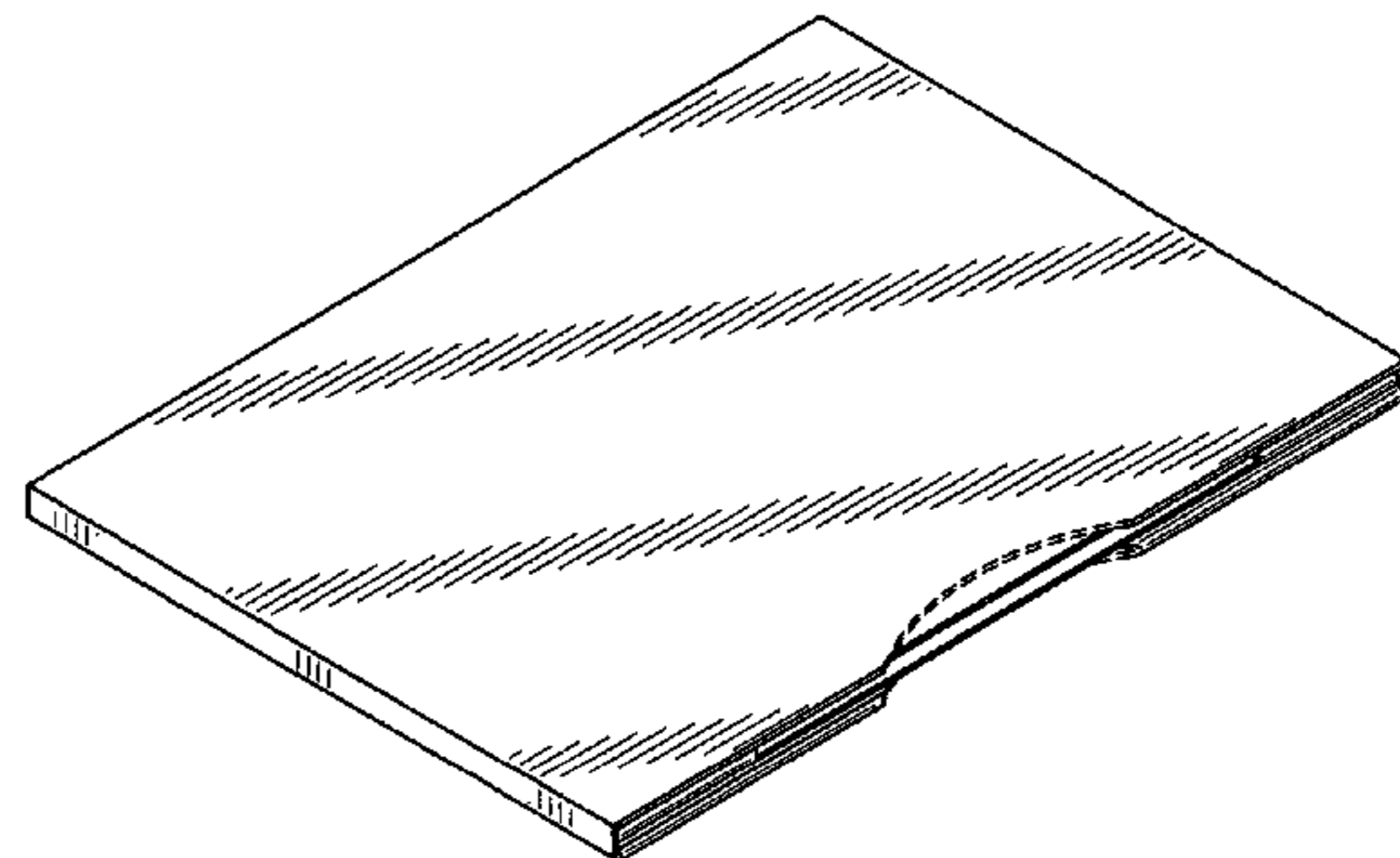
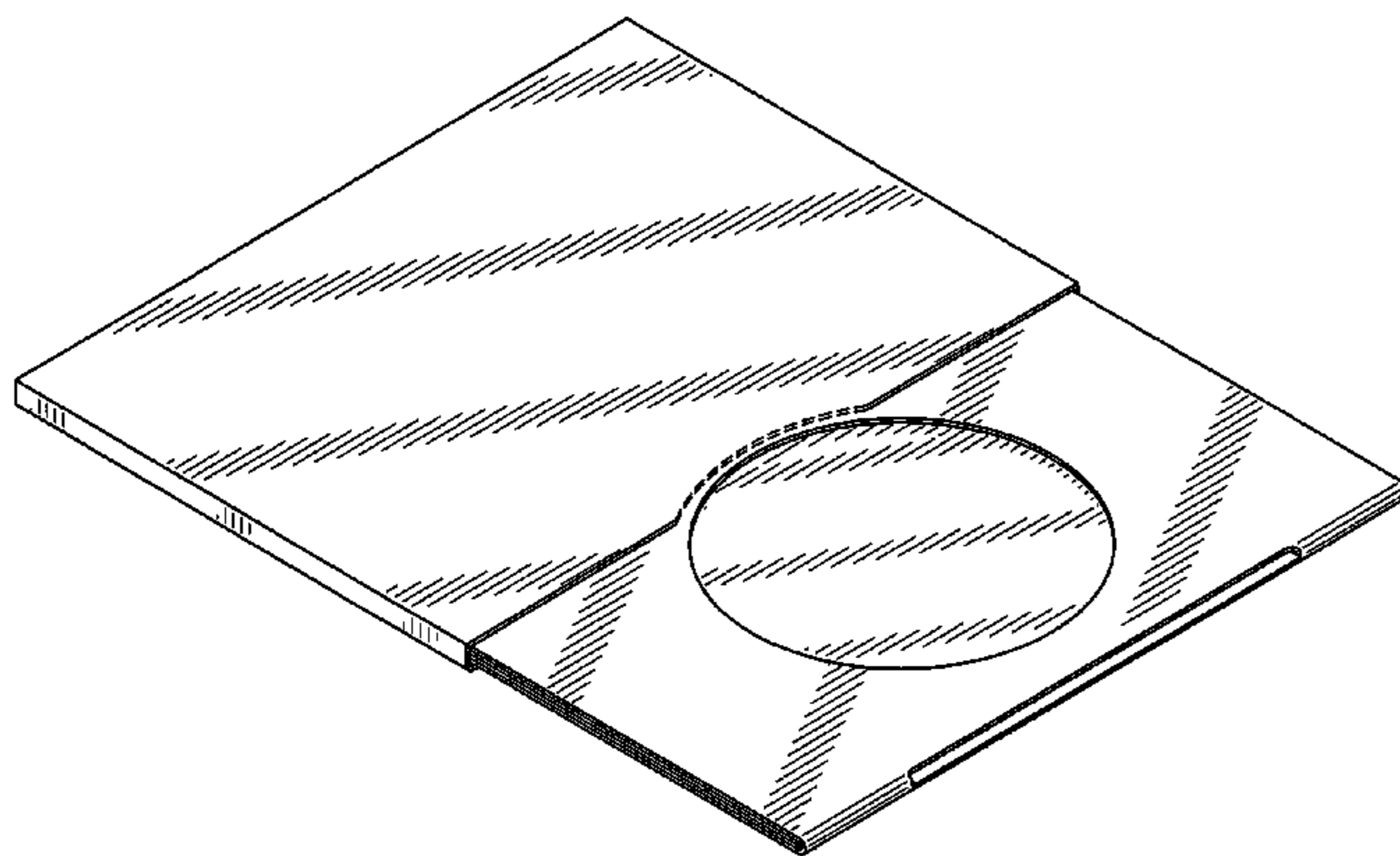
(57) **CLAIM**

The ornamental design for the media disc storage container, as shown and described.

**DESCRIPTION**

FIG. 1 is a perspective view of a media disc storage container in an open configuration;  
FIG. 2 is a perspective view of the media disc storage container of FIG. 1 in a closed configuration;  
FIG. 3 is a front elevation of FIG. 1;  
FIG. 4 is a rear elevation of FIG. 1;  
FIG. 5 is a left side view of FIG. 3;  
FIG. 6 is a right side view of FIG. 3;  
FIG. 7 is a top plan view of FIG. 3; and,  
FIG. 8 is a bottom plan view of FIG. 3.  
The broken lines form no part of the claimed design.

**1 Claim, 6 Drawing Sheets**



# US D642,414 S

Page 2

U.S. PATENT DOCUMENTS							
D386,406	S	11/1997	House	D559,578	S *	1/2008	Kaiser ..... D6/407
D387,976	S	12/1997	Mori	D562,049	S	2/2008	Abolfazlian
5,735,396	A	4/1998	Condorodis	7,325,341	B2	2/2008	Mouyal
5,772,019	A	6/1998	Reed	D574,654	S *	8/2008	Kaiser ..... D6/627
5,819,928	A	10/1998	Wynalda	D582,192	S	12/2008	Pan
D406,002	S	2/1999	Price	D586,602	S	2/2009	Sankey et al.
5,960,949	A	10/1999	Wynalda	D595,989	S	7/2009	Valladares
D417,974	S	12/1999	Mori	D599,153	S	9/2009	Wynalda
D428,730	S	8/2000	Farnstrom	D599,154	S	9/2009	Wynalda
6,105,762	A	8/2000	Petty	D599,155	S	9/2009	Wynalda
6,109,432	A	8/2000	Pozzoli	D599,156	S	9/2009	Wynalda
6,126,201	A	10/2000	Pace	D600,964	S	9/2009	Eliaš et al.
D433,808	S	11/2000	Moorhouse	D600,965	S	9/2009	Eliaš et al.
D436,785	S *	1/2001	Kitch ..... D6/627	D609,563	S	2/2010	Oaum et al.
6,182,825	B1	2/2001	Butcher	D614,904	S	5/2010	Lau
D443,435	S	6/2001	Farnstrom	D619,845	S *	7/2010	Gelardi et al. .... D6/634
D447,052	S *	8/2001	Goserud ..... D99/34	7,775,352	B2	8/2010	Alvarez et al.
6,296,112	B1	10/2001	Petty	D622,997	S	9/2010	Wynalda et al.
D451,384	S	12/2001	Faulstich	2002/0118948	A1	8/2002	Jones
D452,762	S	1/2002	Lee	2004/0045843	A1	3/2004	Exline
6,360,887	B1	3/2002	Petty	2006/0006080	A1	1/2006	Gustafsson et al.
D463,944	S	10/2002	Wynalda et al.	2006/0175211	A1 *	8/2006	Intveen ..... 206/308.1
D477,143	S	7/2003	Nagata et al.	2007/0235356	A1	10/2007	Durham et al.
6,845,865	B2	1/2005	Wynalda	2007/0251843	A1	11/2007	Wynalda
D502,041	S	2/2005	Wynalda et al.	2008/0017536	A1	1/2008	Wynalda
D514,861	S	2/2006	Mundy	2008/0083145	A1	4/2008	Wynalda
7,028,835	B1	4/2006	Rajter	2009/0194442	A1	8/2009	Wynalda
D519,773	S *	5/2006	Jun ..... D6/632	2009/0288968	A1	11/2009	Wynalda
D526,896	S	8/2006	Partida	2010/0000890	A1	1/2010	Belden et al.
7,156,288	B2	1/2007	Liddell	2010/0126890	A1 *	5/2010	Libohova ..... 206/307
7,201,402	B2	4/2007	Duprey	2010/0243489	A1	9/2010	Sabry
D558,503	S *	1/2008	Hurley ..... D6/635	2010/0243490	A1	9/2010	Wynalda et al.

\* cited by examiner

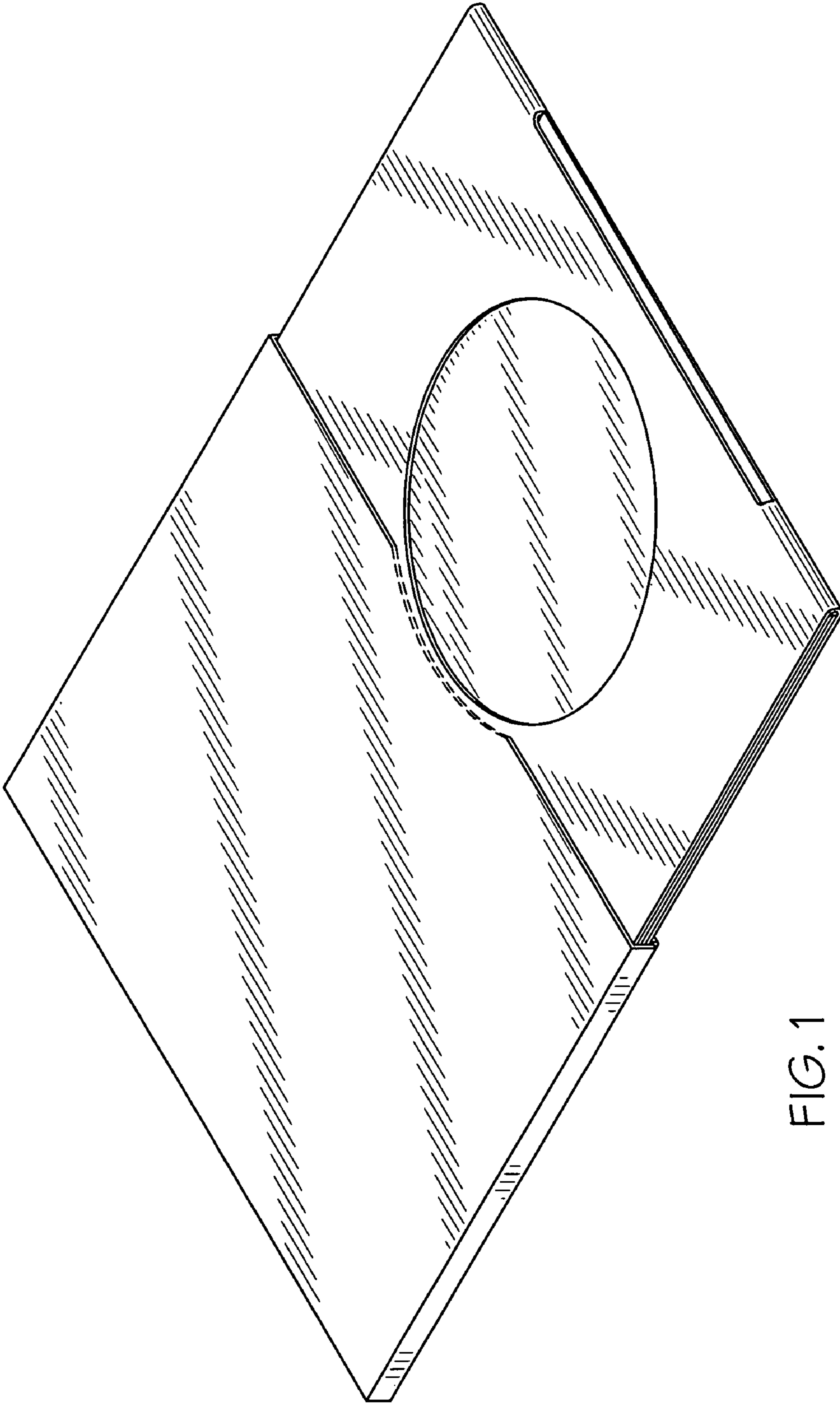


FIG. 1



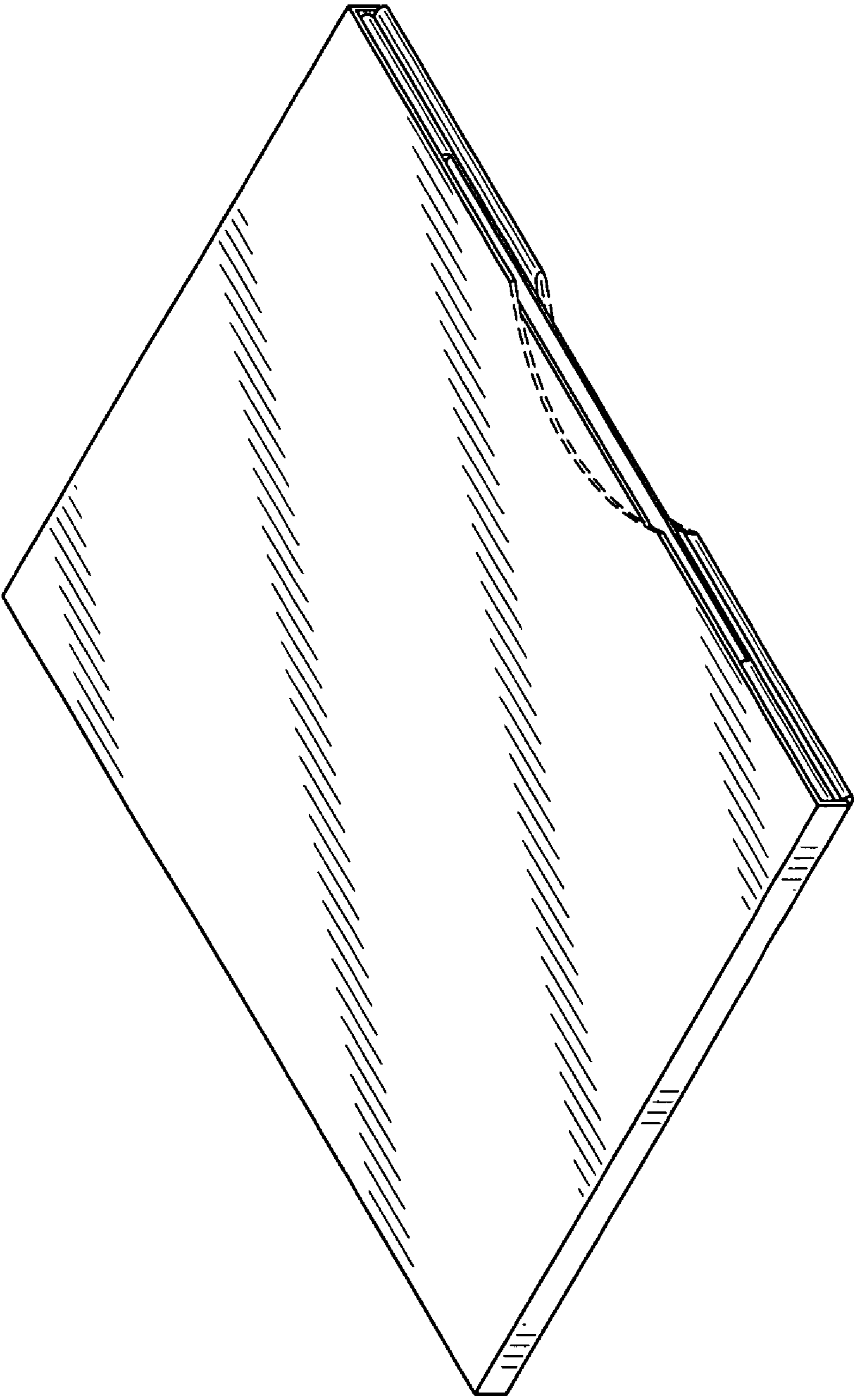


FIG. 2

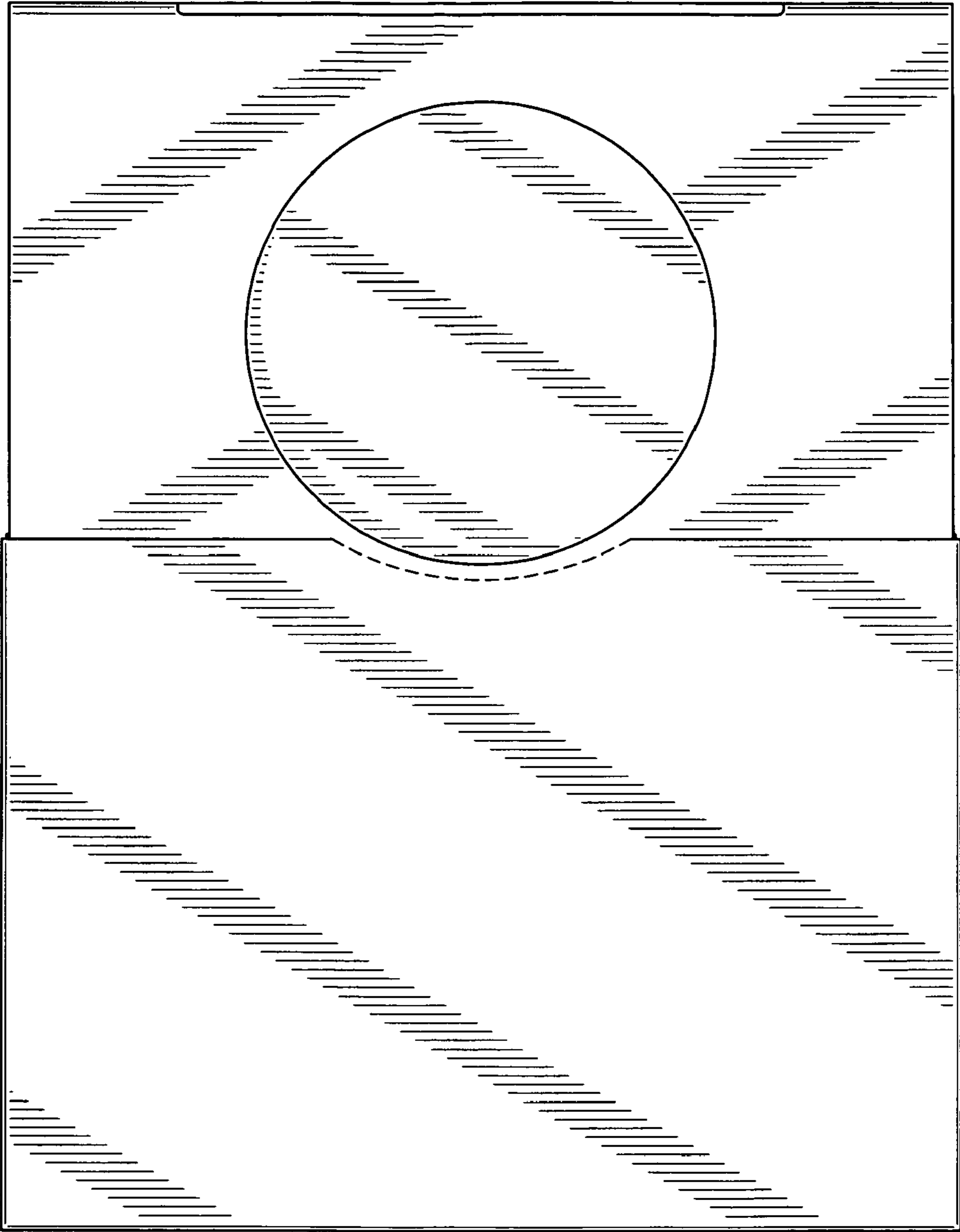


FIG. 3

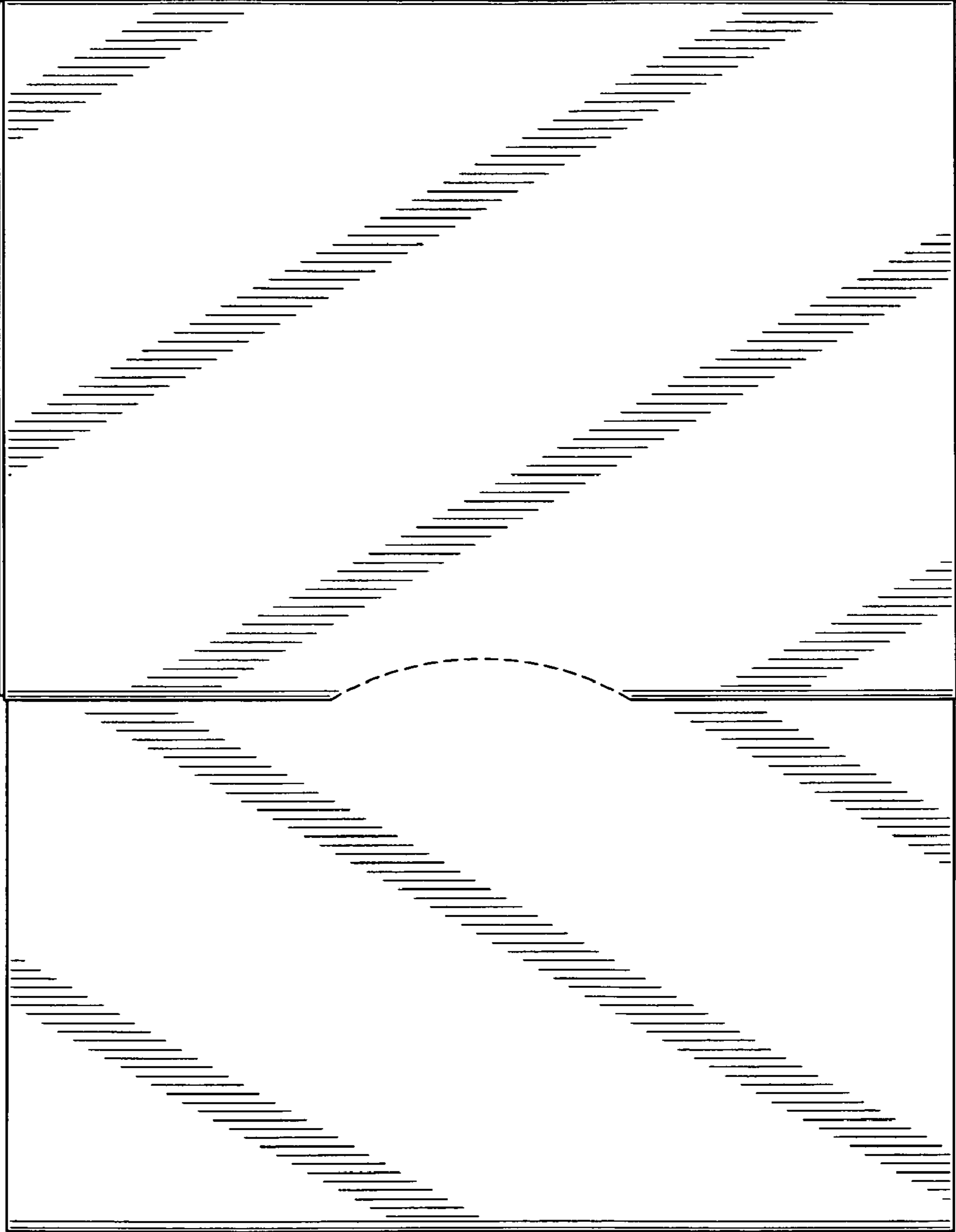


FIG. 4

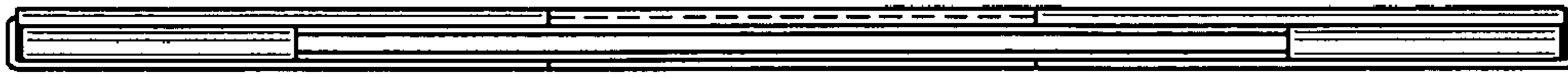


FIG. 6

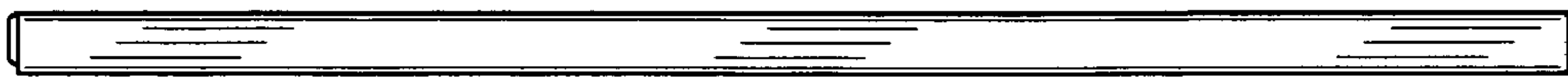


FIG. 5



FIG. 7



FIG. 8