



US00D642412S

(12) **United States Design Patent**
Cuba

(10) **Patent No.:** **US D642,412 S**

(45) **Date of Patent:** **** Aug. 2, 2011**

(54) **FOLDABLE PRONE SUPPORT**

DESCRIPTION

(76) Inventor: **Gerardo Simon Cuba**, Cagliari (IT)

(**) Term: **14 Years**

(21) Appl. No.: **29/359,715**

(22) Filed: **Apr. 14, 2010**

(51) **LOC (9) Cl.** **06-09**

(52) **U.S. Cl.** **D6/601**

(58) **Field of Classification Search** D6/335,
D6/595-601, 604, 606; 5/630, 632, 633,
5/636, 637.639, 640, 642, 644-646, 648,
5/652, 653, 655, 655.3, 655.9, 656, 657.5,
5/690, 705; D21/686, 803; D24/183; D30/118;
297/452.16

See application file for complete search history.

(56) **References Cited**

U.S. PATENT DOCUMENTS

2,940,087	A *	6/1960	Kiefer	5/642
D309,068	S *	7/1990	Jordan et al.	D6/601
D398,181	S *	9/1998	Lange et al.	D6/596
D446,676	S *	8/2001	Mayes	D6/601
6,823,545	B1 *	11/2004	Davis	5/630
D500,622	S *	1/2005	Owen	D6/596
D543,064	S *	5/2007	Hale	D6/596
D565,131	S *	3/2008	Decker	D21/686
D621,628	S *	8/2010	Saul	D6/335
2003/0038523	A1 *	2/2003	Sands	297/452.16

* cited by examiner

Primary Examiner — Mary Ann Calabrese

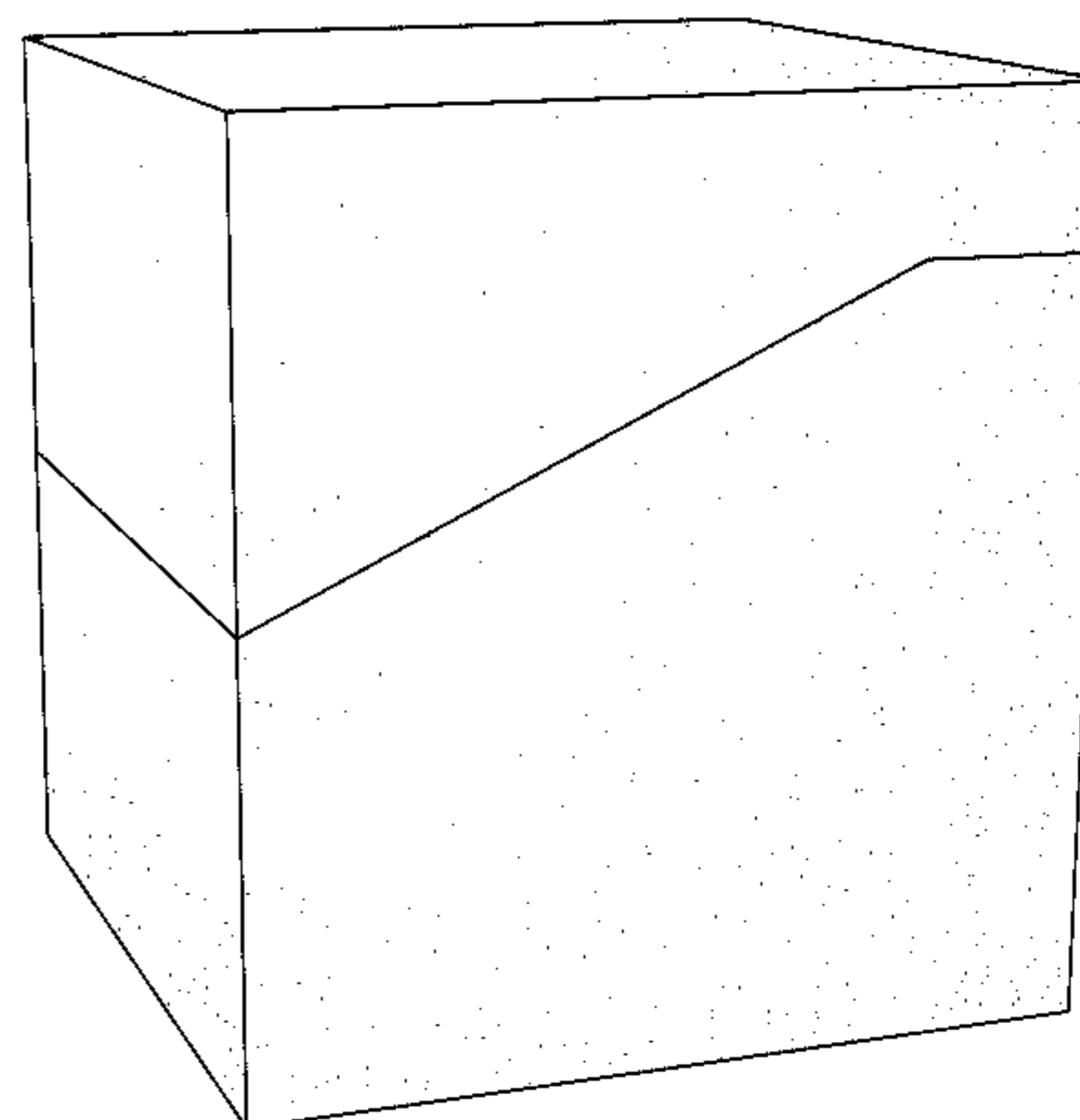
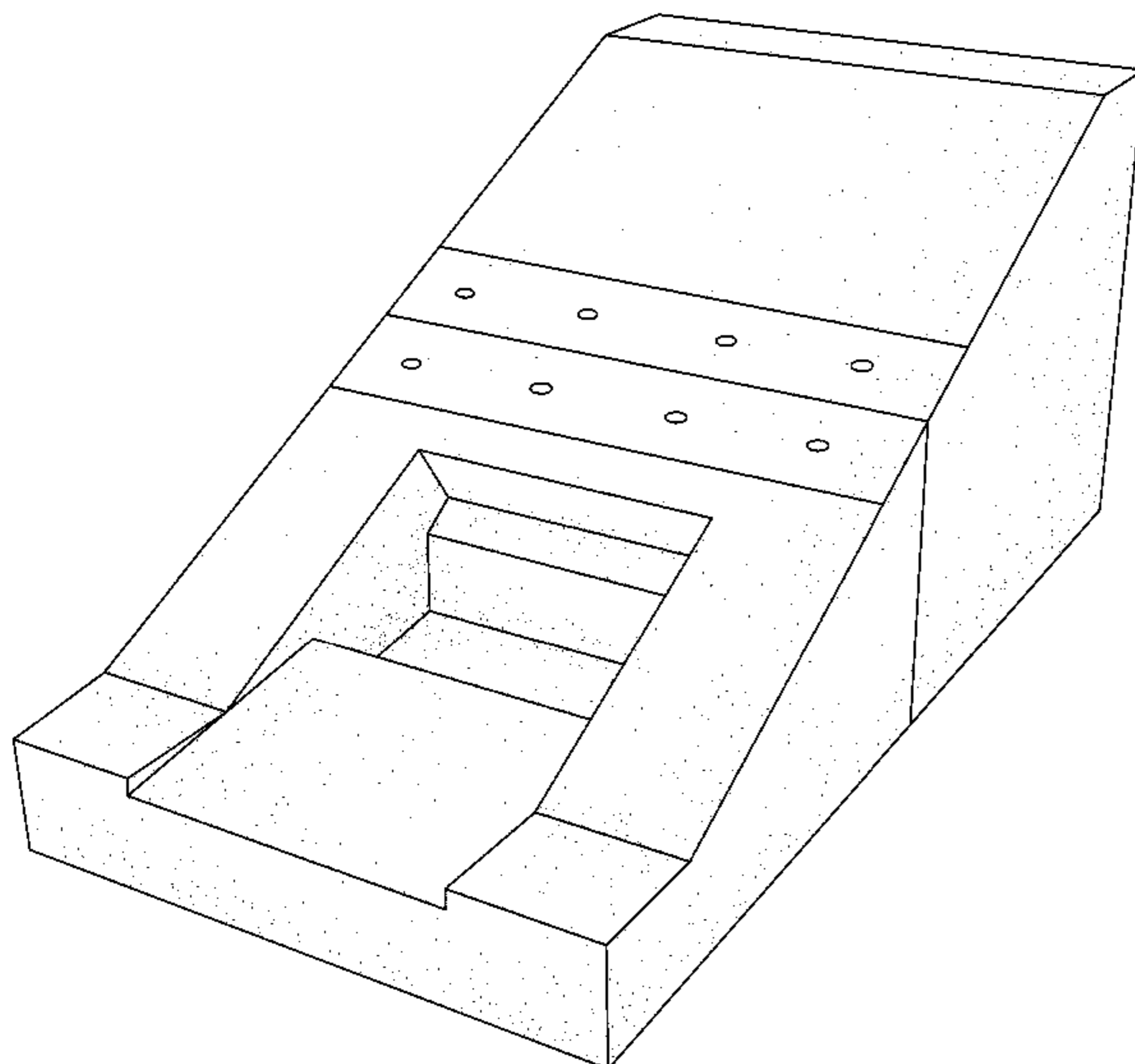
(74) *Attorney, Agent, or Firm* — Nancy J. Flint, Esq.

(57) **CLAIM**

The ornamental design for a foldable prone support, as shown and described.

FIG. 1 is a left side perspective view of a foldable prone support in its open position showing my new design;
 FIG. 2 is a front perspective view of a foldable prone support in its open position;
 FIG. 3 is an alternate front perspective view of a foldable prone support in its open position;
 FIG. 4 is a back perspective view of a foldable prone support in its open position;
 FIG. 5 is a right perspective view of a foldable prone support in its open position;
 FIG. 6 is a left perspective view of a foldable prone support in its open position;
 FIG. 7 is a top perspective view of a foldable prone support in its open position;
 FIG. 8 is a bottom perspective view of a foldable prone support in its open position;
 FIG. 9 is a left side perspective view of a foldable prone support in its closed position;
 FIG. 10 is a front view of a foldable prone support in its closed position;
 FIG. 11 is a back perspective view of a foldable prone support in its closed position;
 FIG. 12 is a right side view of a foldable prone support in its closed position;
 FIG. 13 is a left side view of a foldable prone support in its closed position;
 FIG. 14 is a top view of a foldable prone support in its closed position;
 FIG. 15 is a bottom perspective view of a foldable prone support in its closed position; and,
 FIG. 16 is a left side perspective view of a foldable prone support in its partially open position.
 Right side perspective views not shown are mirror images of left side perspective views. Any broken line illustration of environmental structure in the drawings are not part of the design sought to be patented.

1 Claim, 10 Drawing Sheets



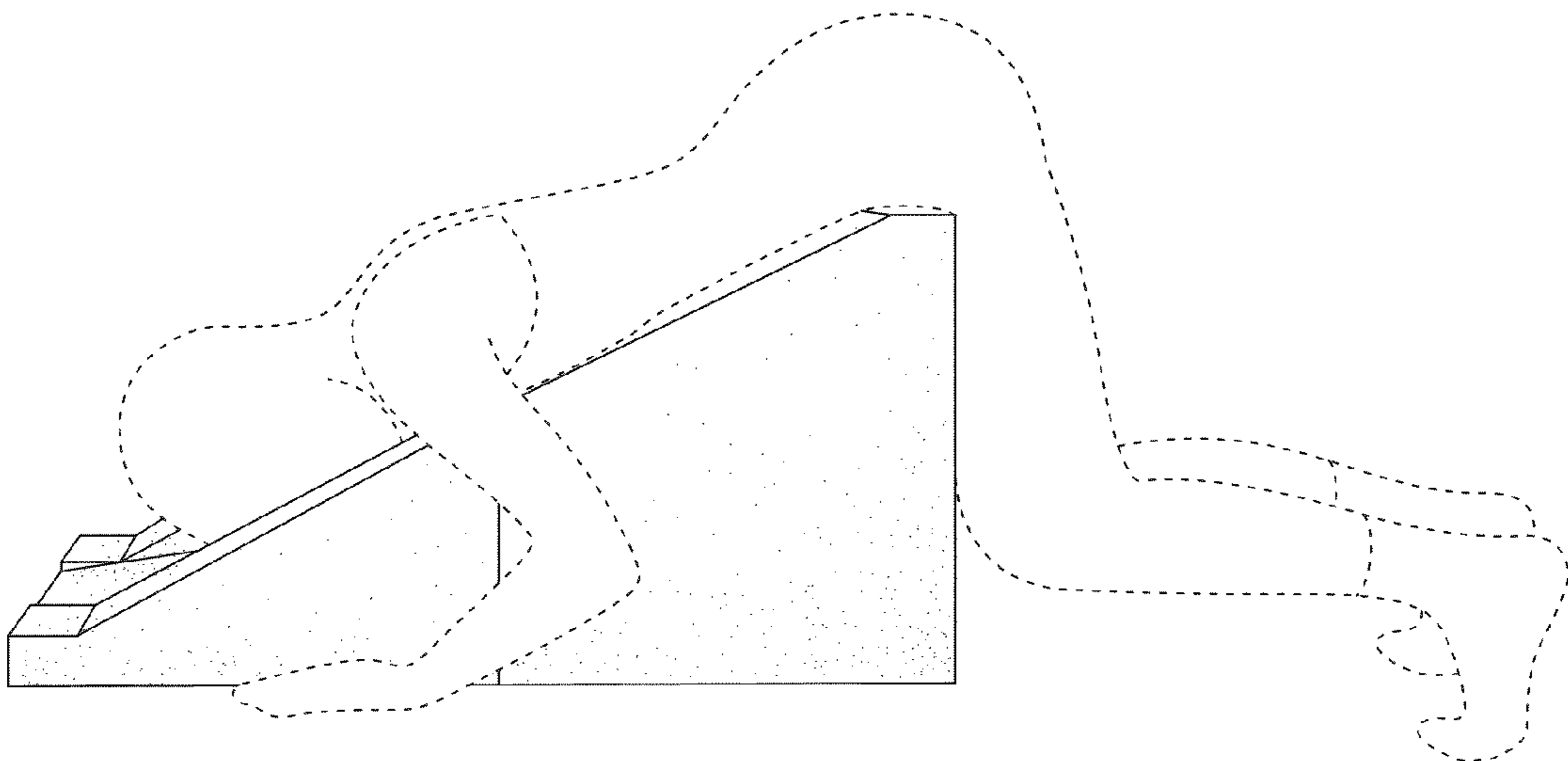


FIGURE 1

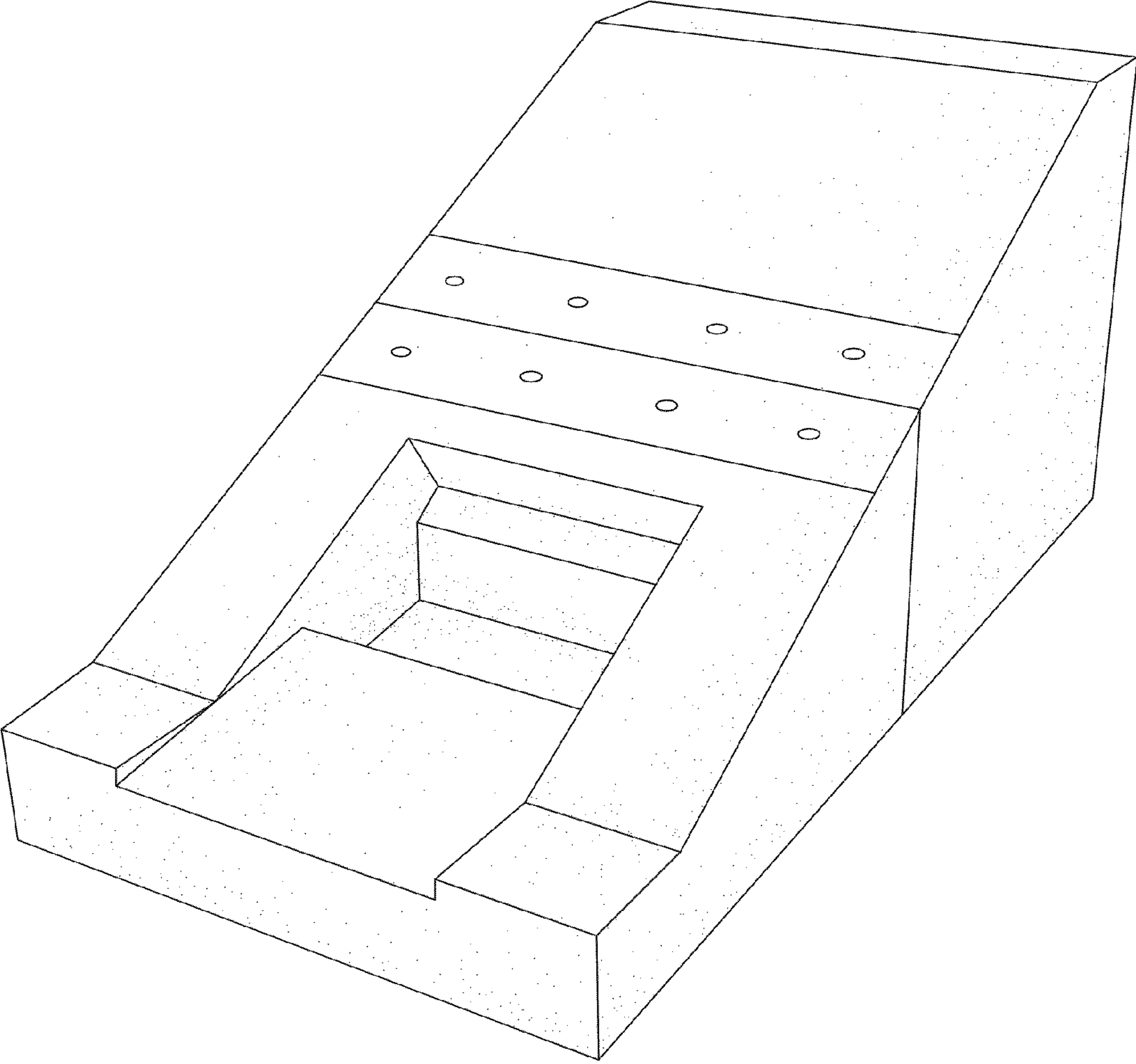


FIGURE 2

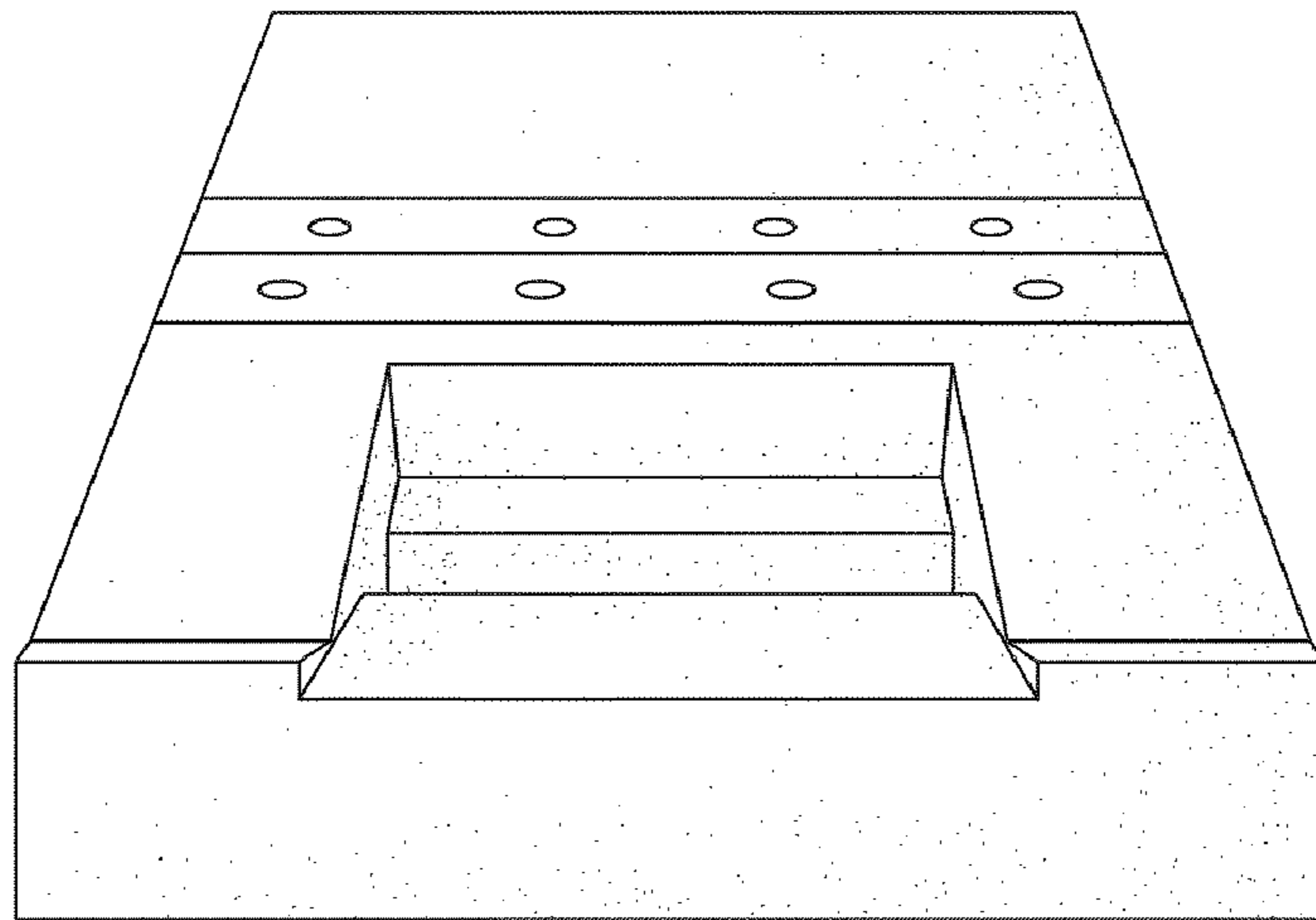


FIGURE 3

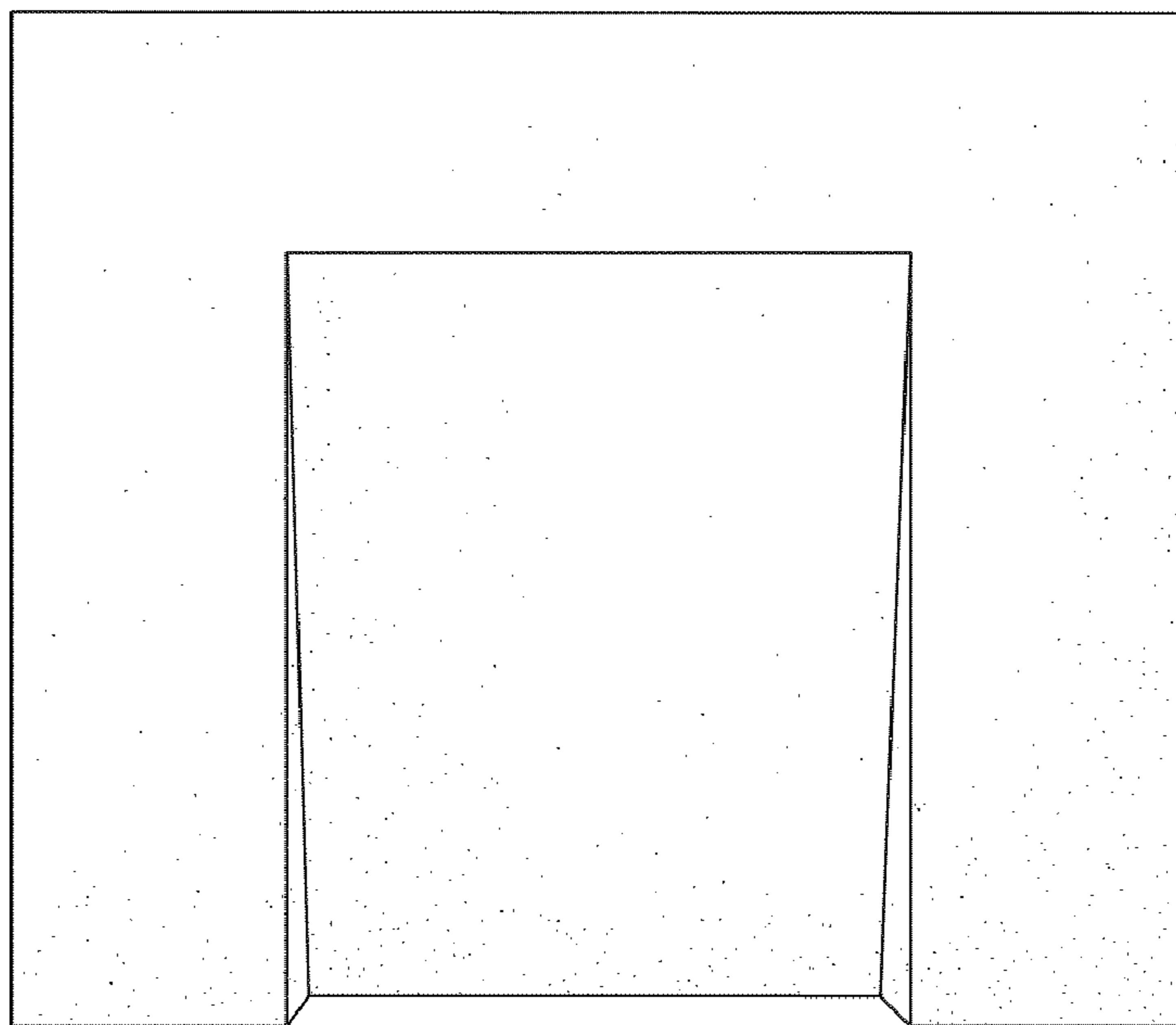


FIGURE 4

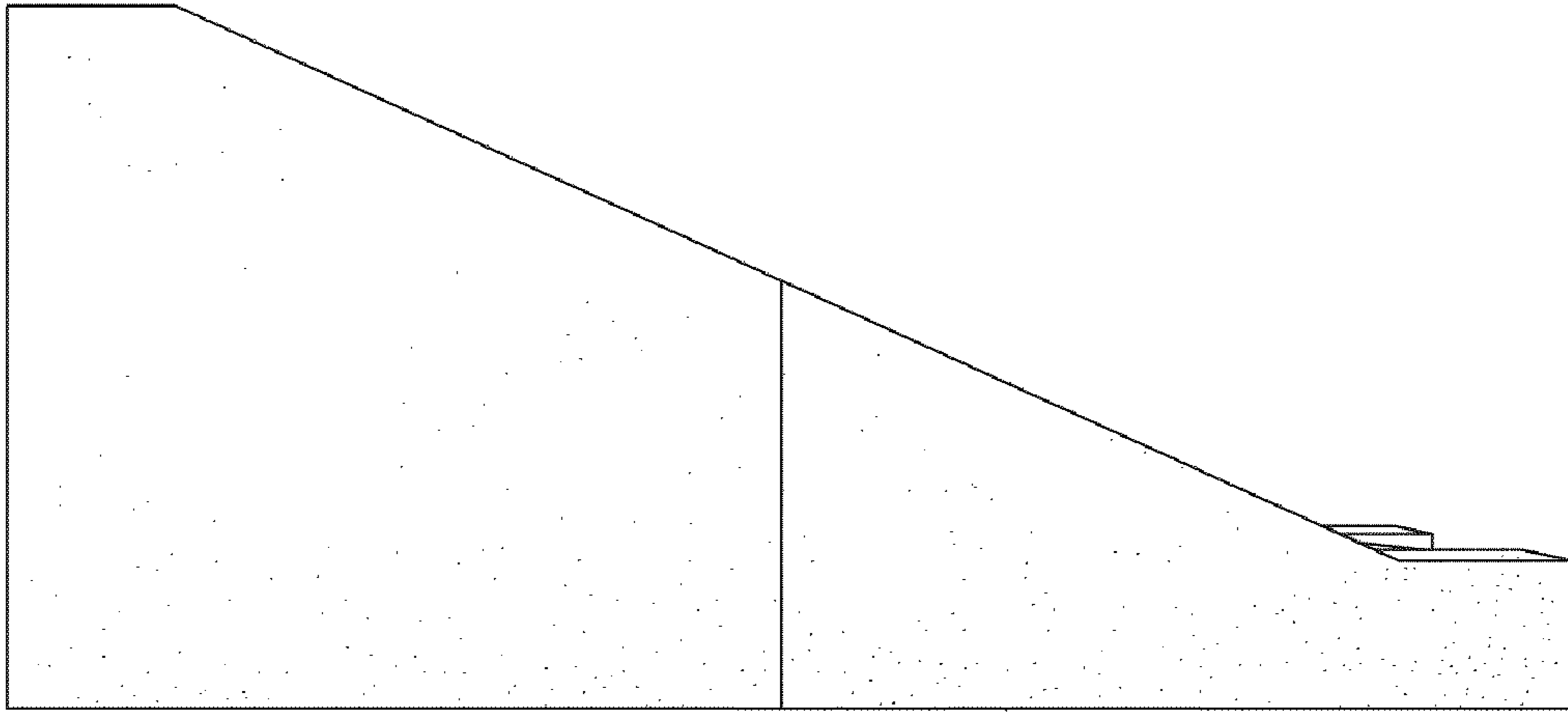


FIGURE 5

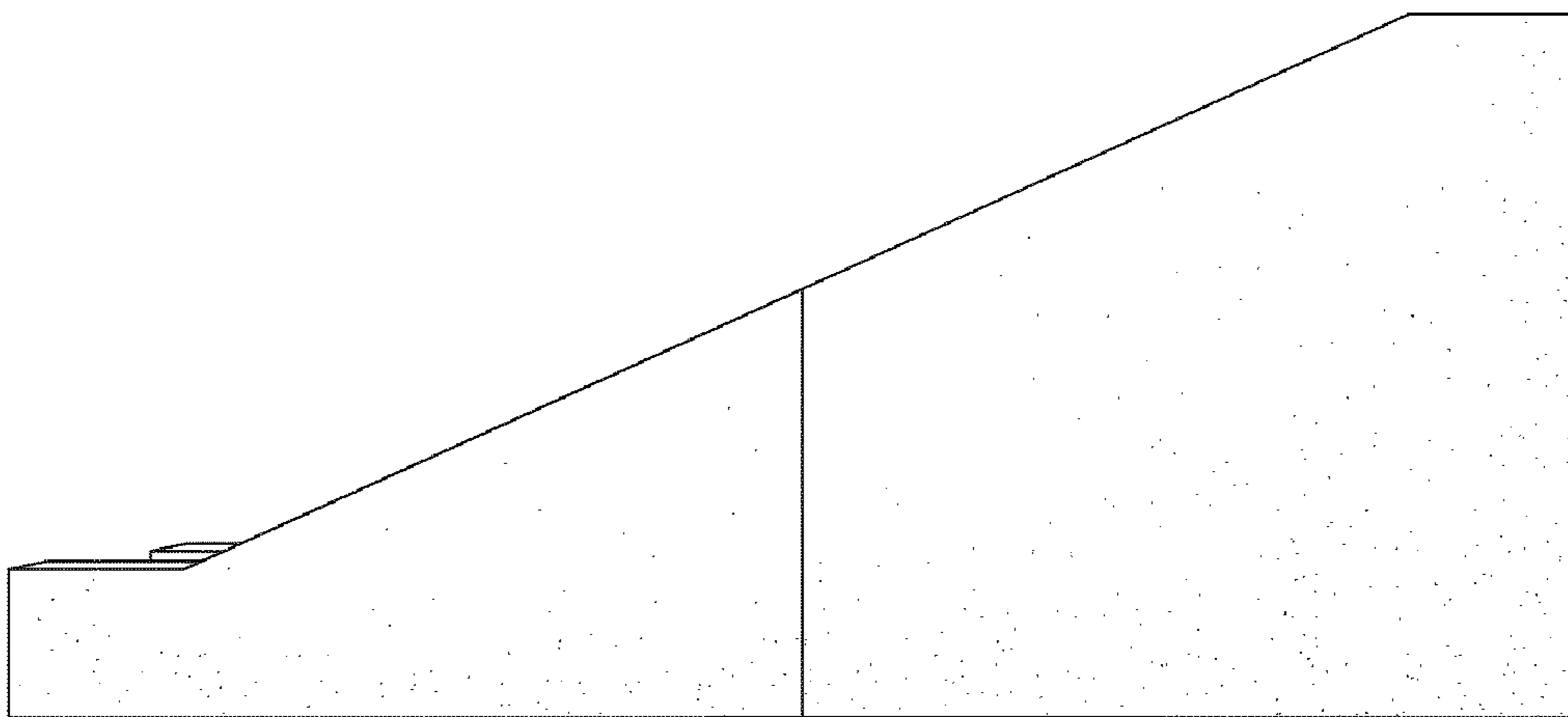


FIGURE 6

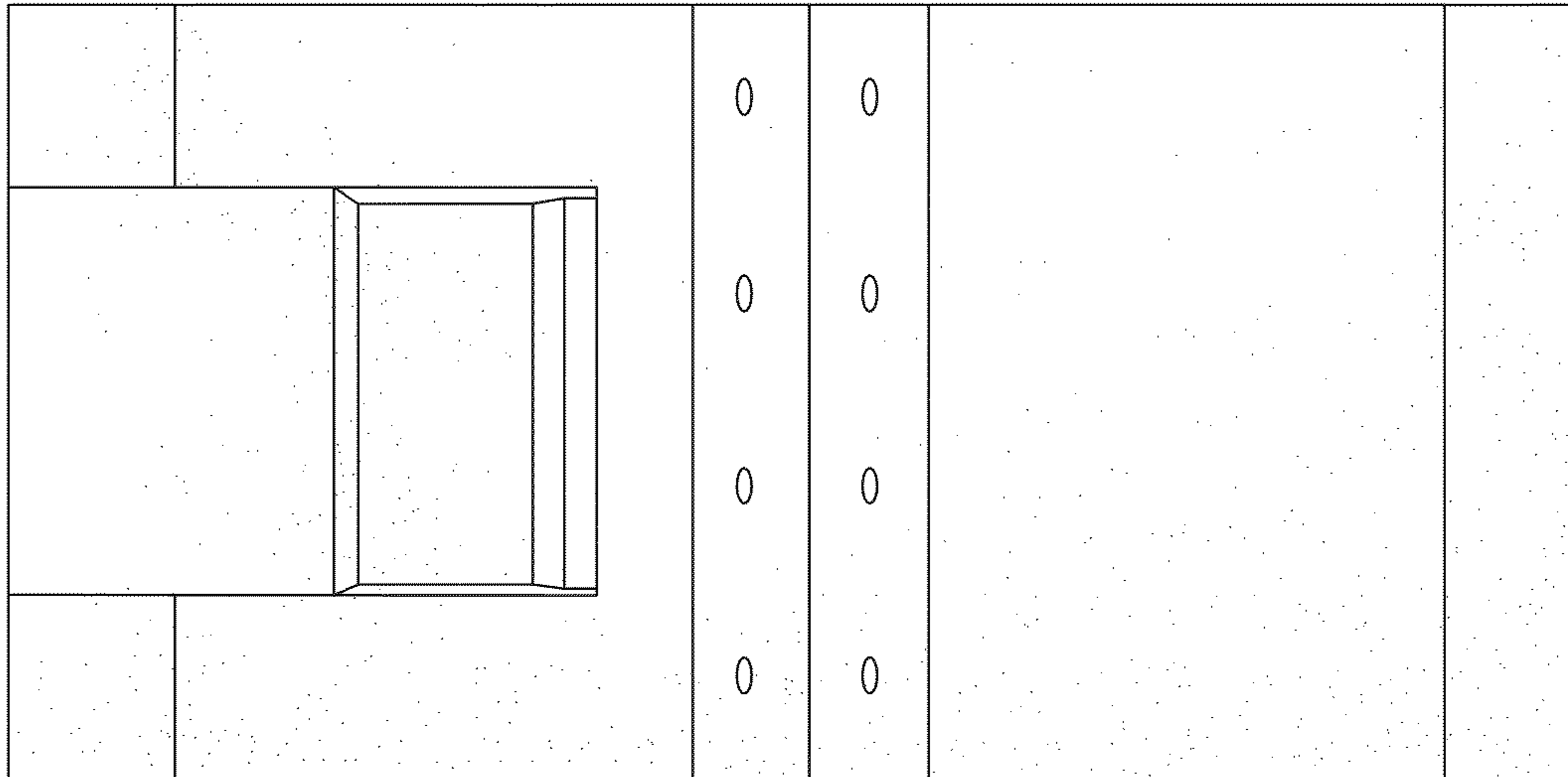


FIGURE 7

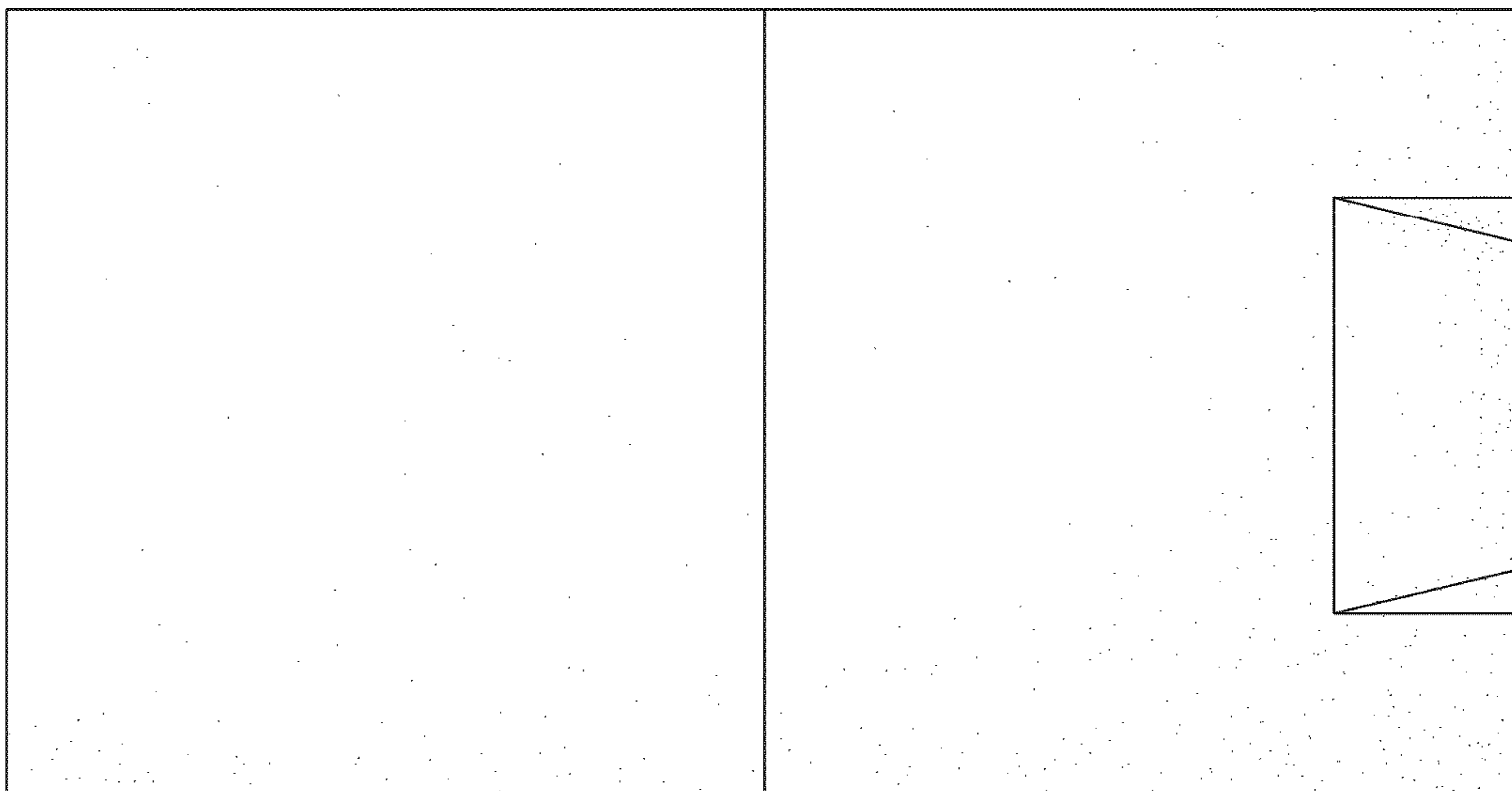


FIGURE 8

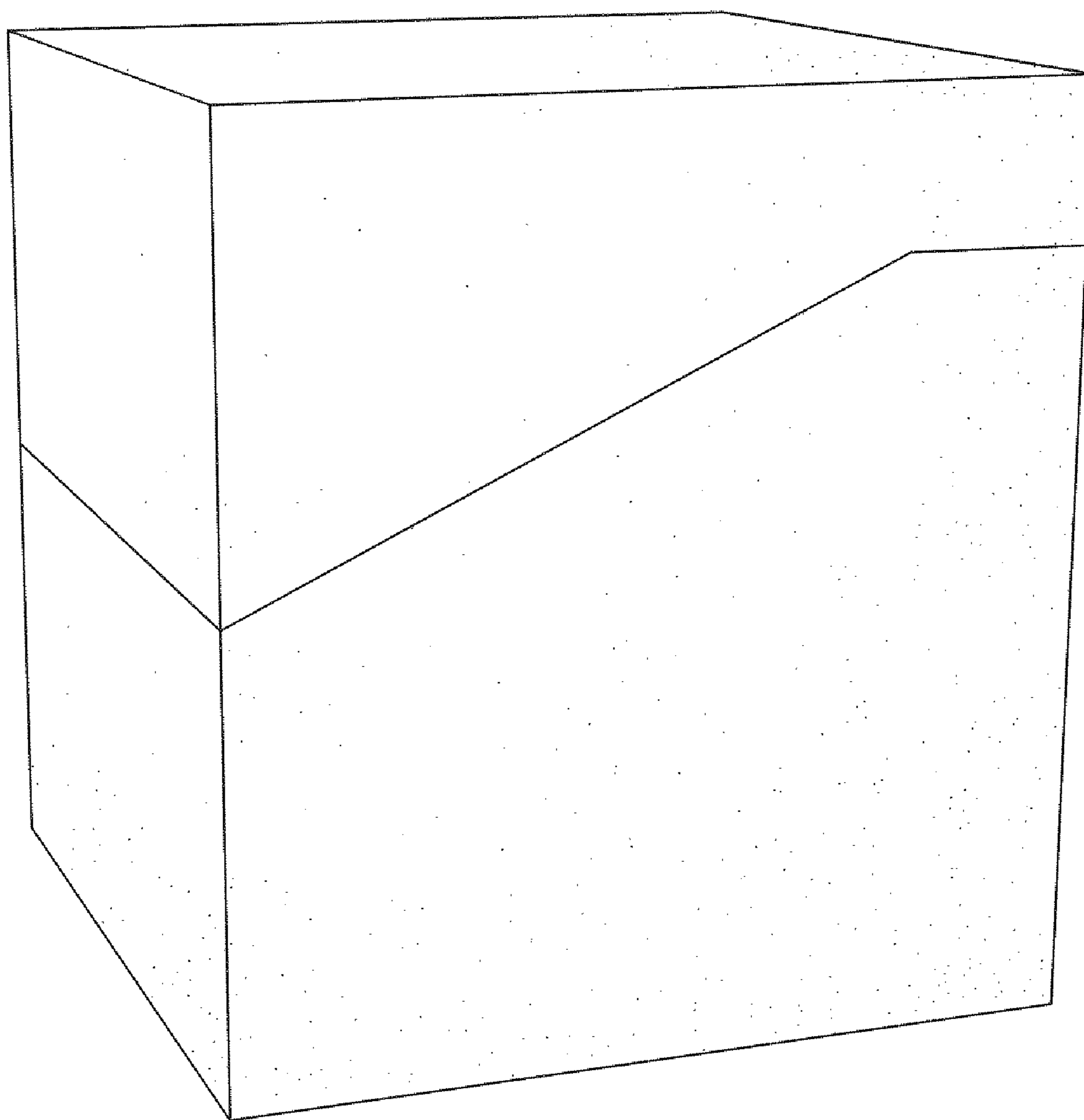


FIGURE 9

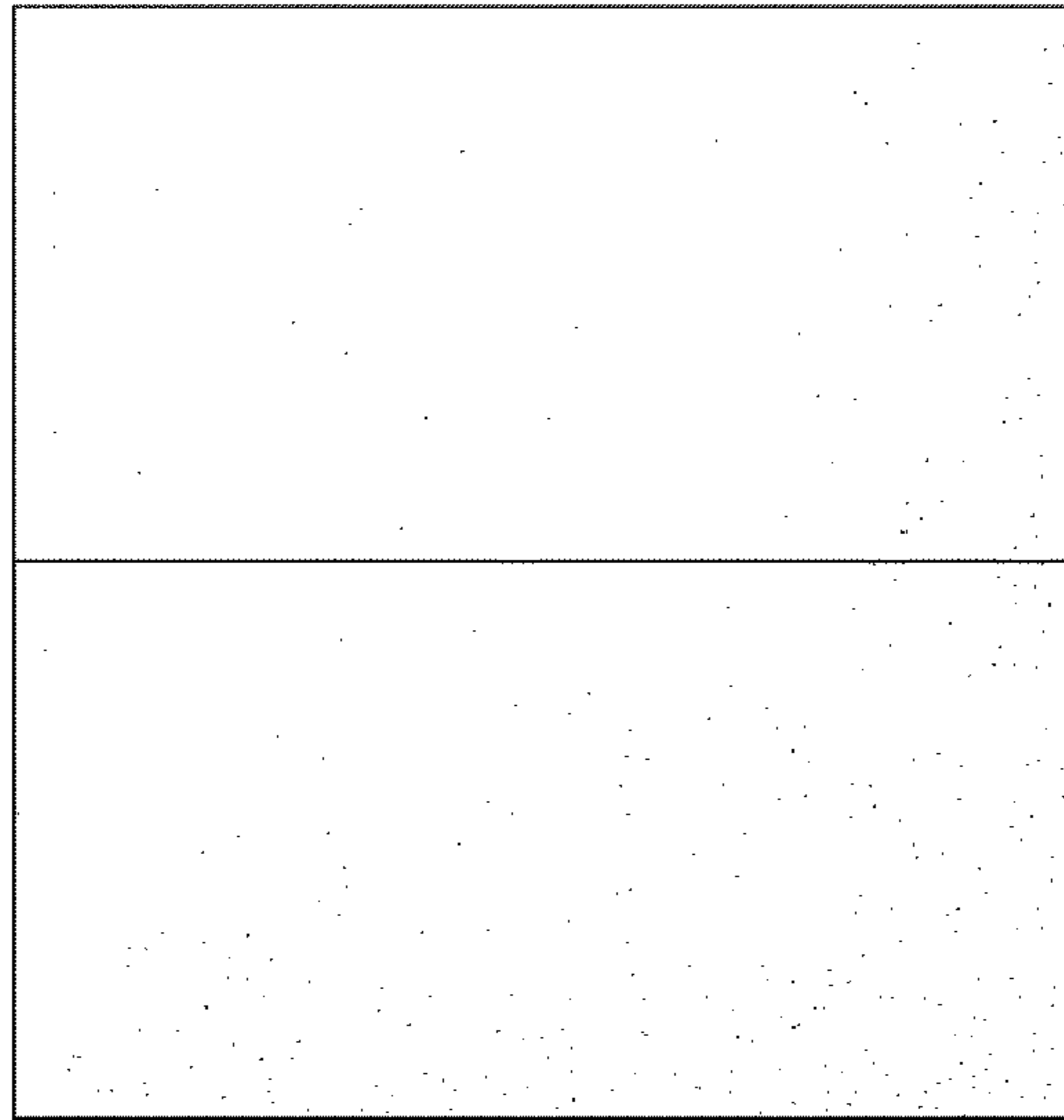


FIGURE 10

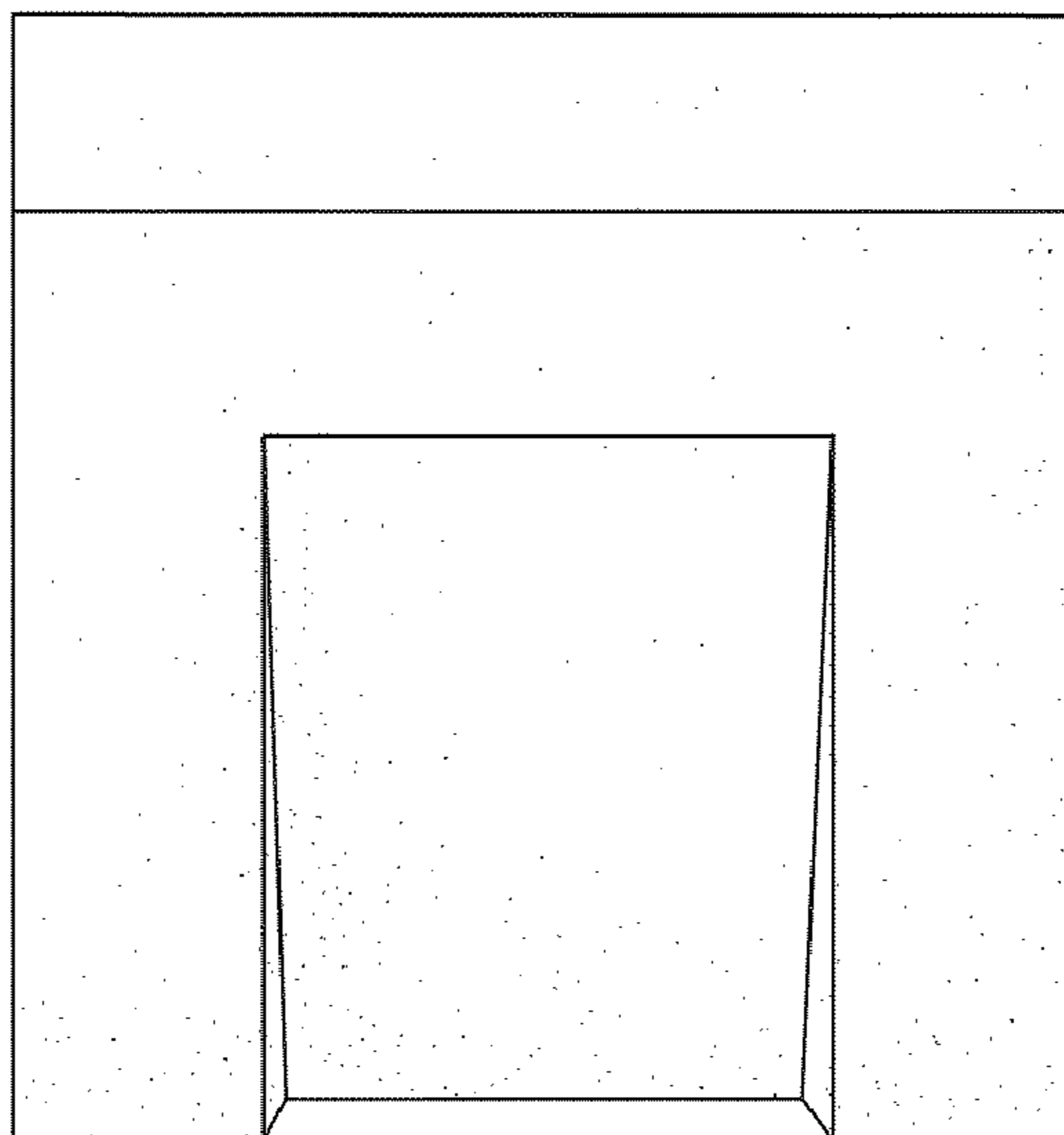


FIGURE 11

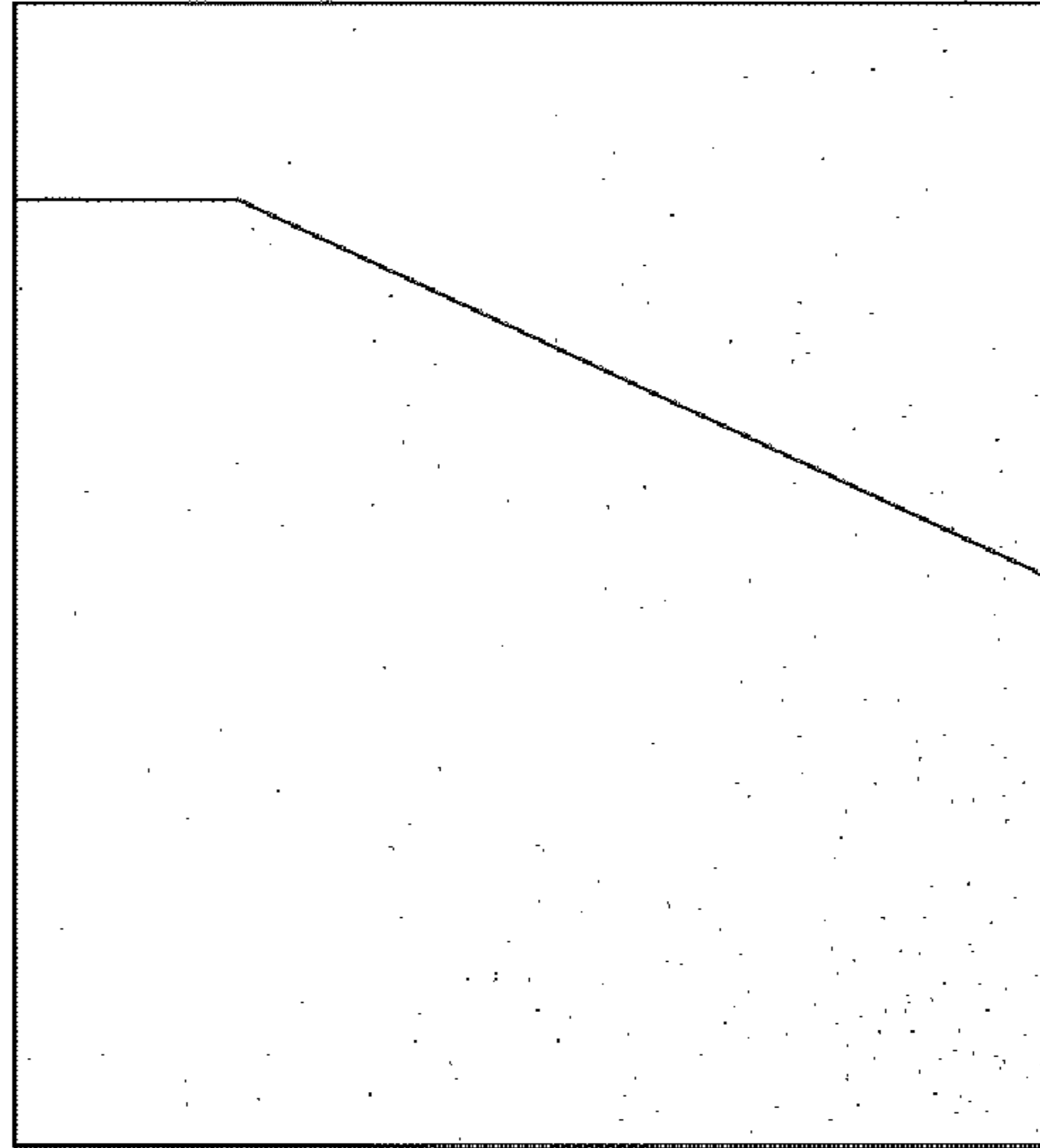


FIGURE 12

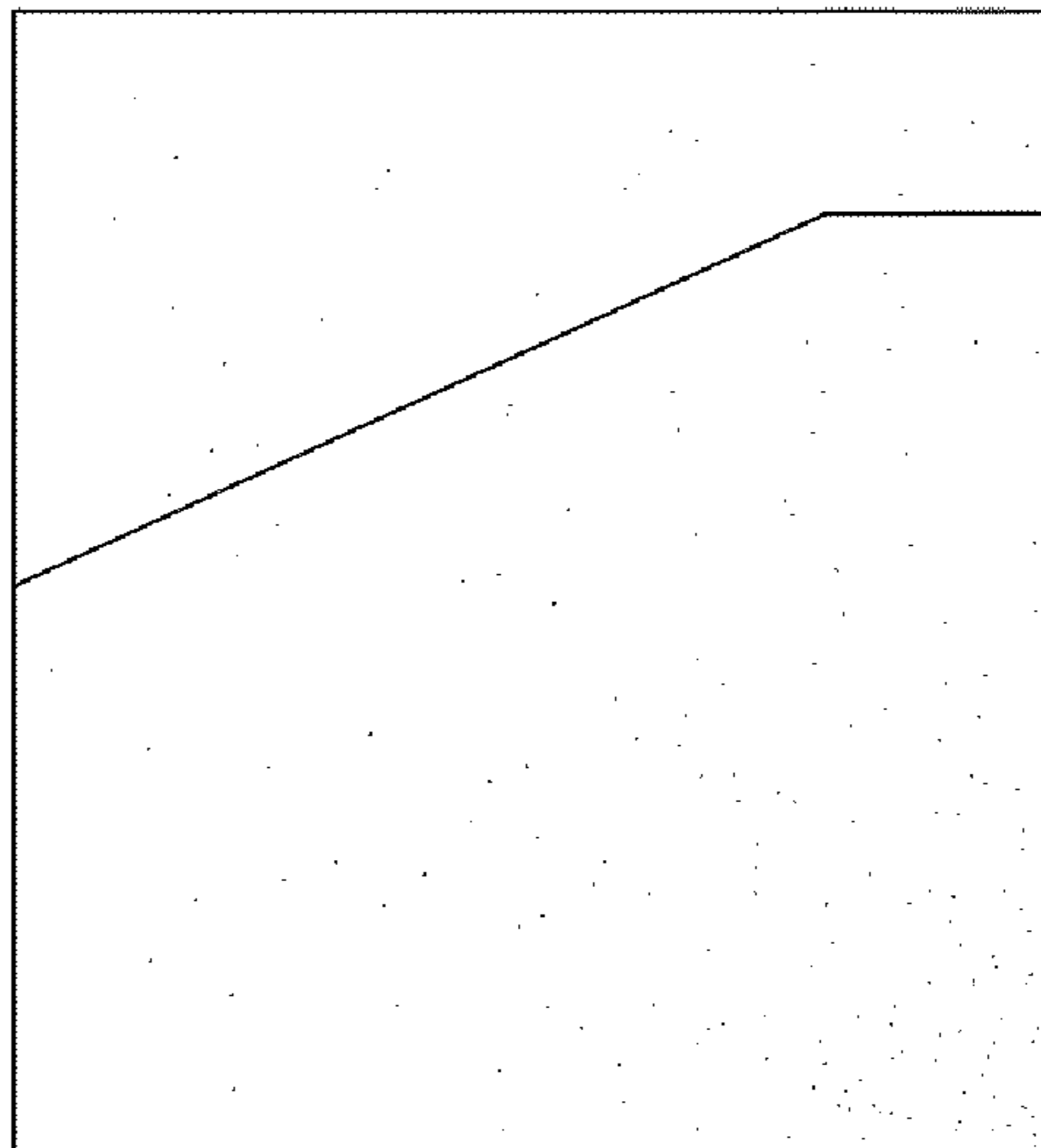


FIGURE 13

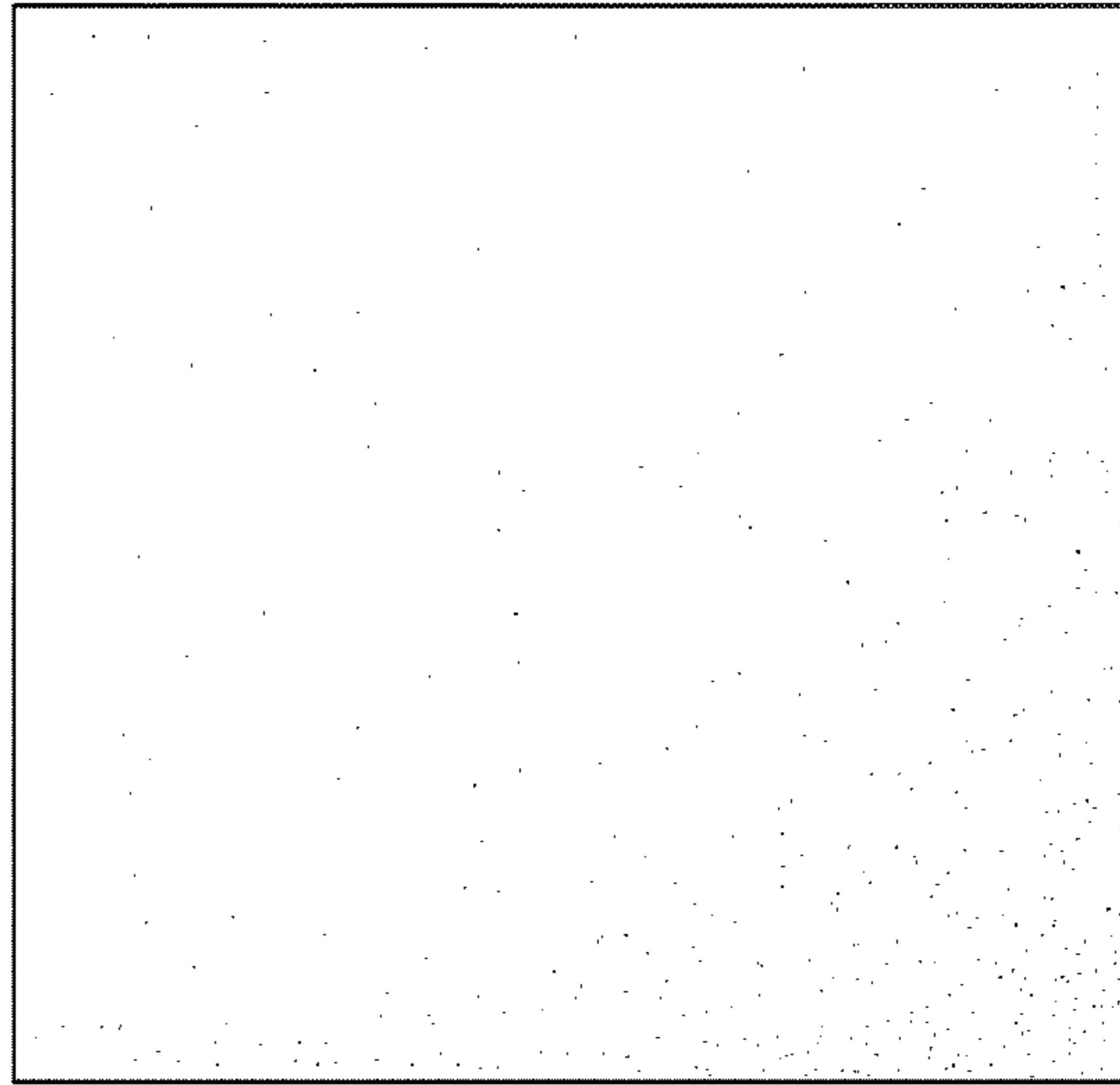


FIGURE 14

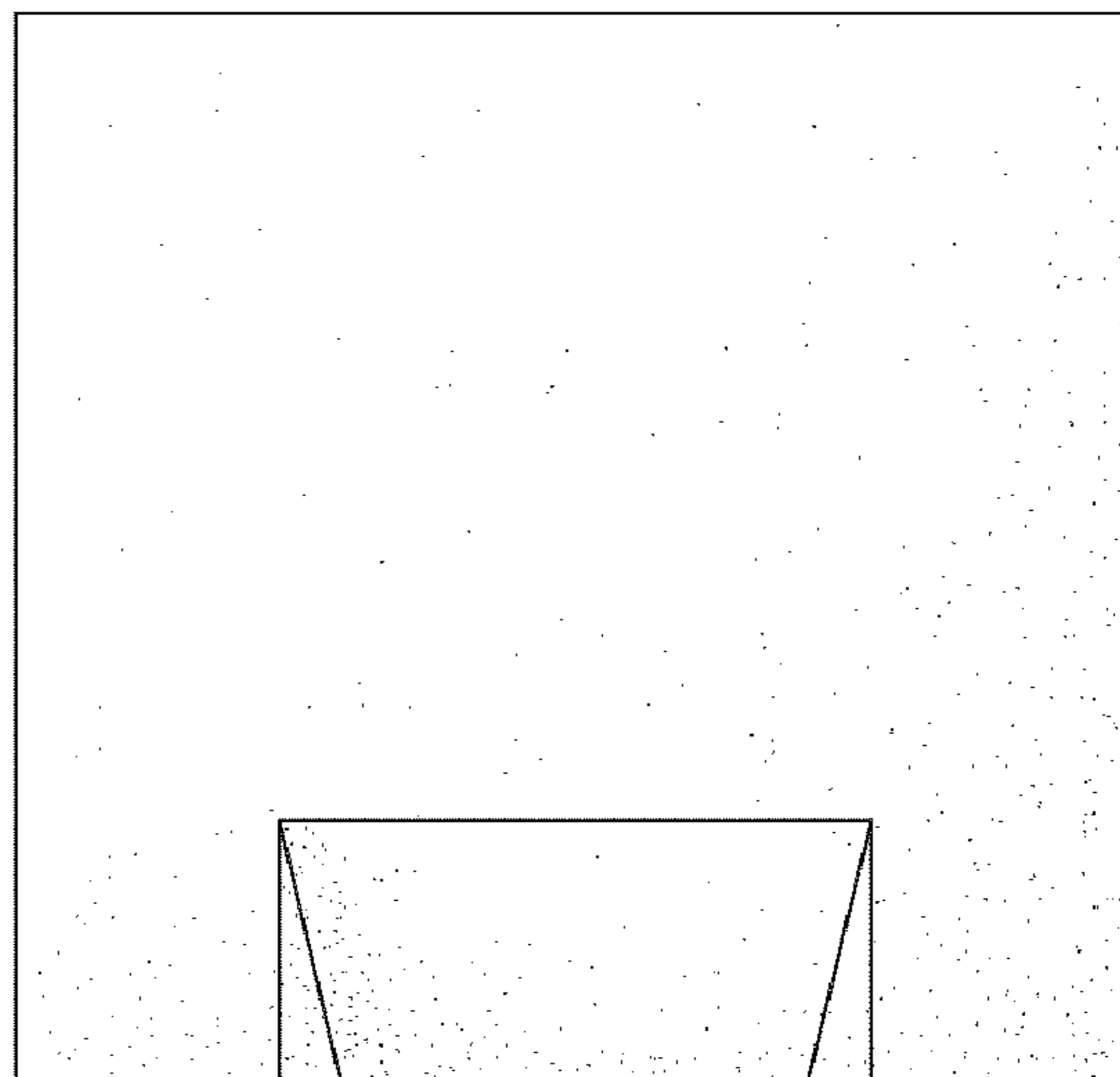


FIGURE 15

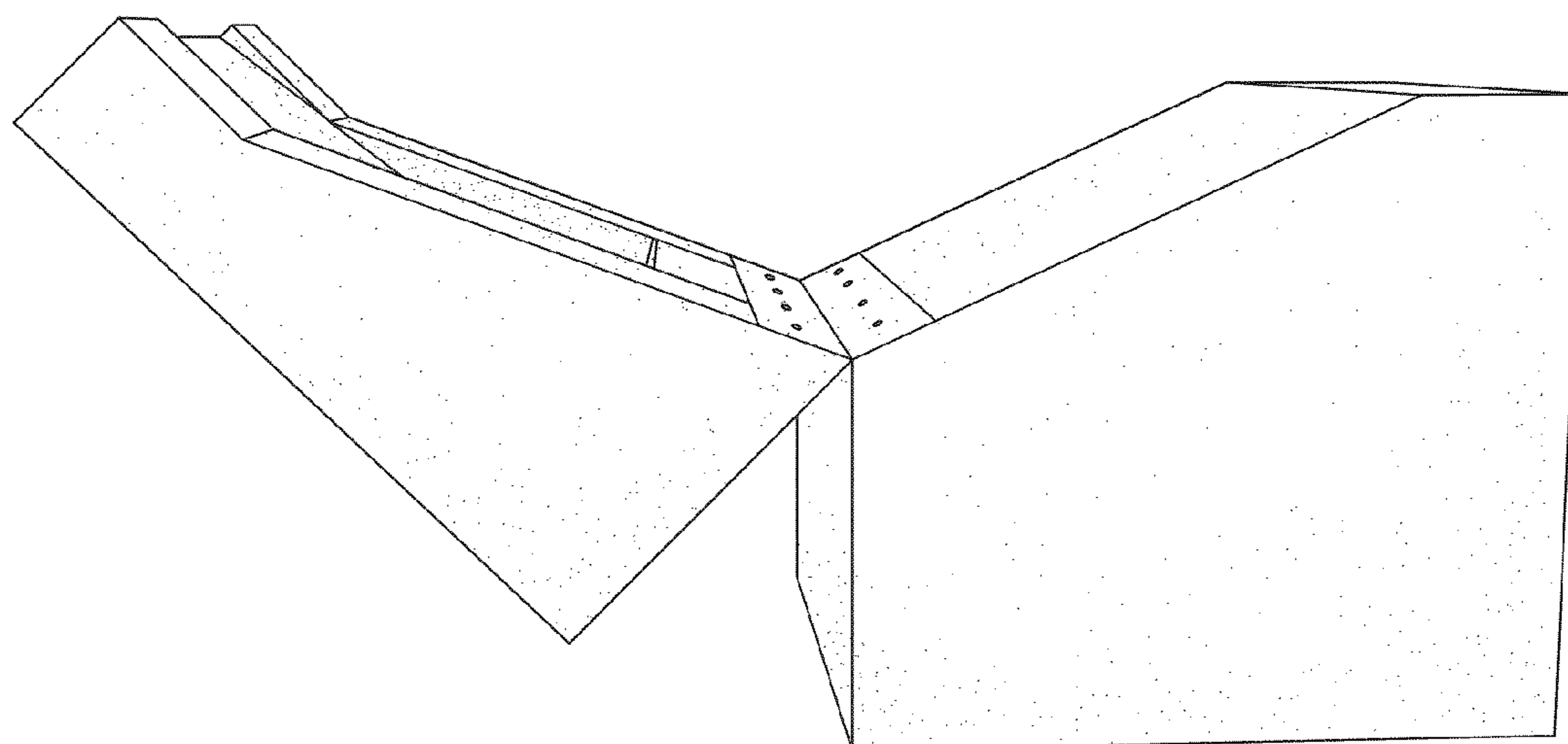


FIGURE 16