



US00D642410S

(12) **United States Design Patent**
Vaults, Jr.

(10) **Patent No.:** **US D642,410 S**

(45) **Date of Patent:** **** Aug. 2, 2011**

(54) **MULTIPLE BATHROOM ACCESSORY
HOLDERS ON ONE STAND**

(76) Inventor: **Earl L. Vaults, Jr.**, San Diego, CA (US)

(**) Term: **14 Years**

(21) Appl. No.: **29/368,745**

(22) Filed: **Aug. 27, 2010**

5,862,924	A	1/1999	Dumont	
D461,669	S *	8/2002	Cheng	D6/523
D472,414	S *	4/2003	Gilbert	D6/523
D476,835	S *	7/2003	Lai	D6/523
6,702,129	B1	3/2004	Harris	
6,974,043	B1	12/2005	Lai	
6,988,691	B1 *	1/2006	Lai	D6/523
D520,281	S *	5/2006	Lin	D6/523
7,458,475	B2	12/2008	Ho	
2006/0186073	A1	8/2006	Roe et al.	
2006/0261022	A1	11/2006	Sampaio	

* cited by examiner

Related U.S. Application Data

(63) Continuation-in-part of application No. 11/893,328, filed on Aug. 16, 2007, now abandoned.

(51) **LOC (9) Cl.** **23-02**

(52) **U.S. Cl.** **D6/524**

(58) **Field of Classification Search** D6/512-525,
D6/546-550; D8/300, 315-321, 354, 363,
D8/373, 380; 108/28-29; 211/13.1, 16,
211/60.1, 86.01, 88.01, 88.04, 100, 105.1,
211/105.2, 123, 126.1, 133.6, 134, 181.1,
211/182; 248/176, 176.1, 200, 251, 302,
248/309.1; 242/242, 570, 590, 595-598;
206/389, 557

See application file for complete search history.

(56) **References Cited**

U.S. PATENT DOCUMENTS

3,806,399	A	4/1974	Cocjin
5,318,189	A	6/1994	Lee

Primary Examiner — Brian N Vinson

(74) *Attorney, Agent, or Firm* — Nguyen & Tarbet

(57) **CLAIM**

The ornamental design for a multiple bathroom accessory holders on one stand, as shown and described.

DESCRIPTION

FIG. 1 is a top, front, and right side perspective view of a multiple bathroom accessory holders on one stand showing my new design;

FIG. 2 is a left side elevational view thereof, the right side being a mirror image of that shown;

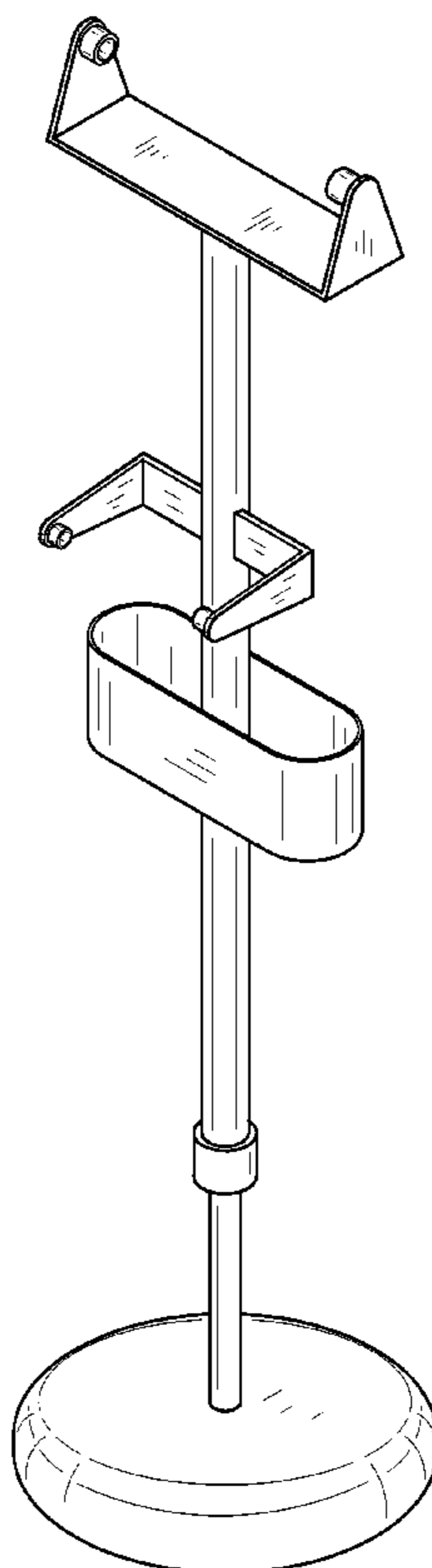
FIG. 3 is a front elevational view thereof;

FIG. 4 is a rear elevational view thereof;

FIG. 5 is a top plan view thereof; and,

FIG. 6 is a bottom plan view thereof.

1 Claim, 4 Drawing Sheets



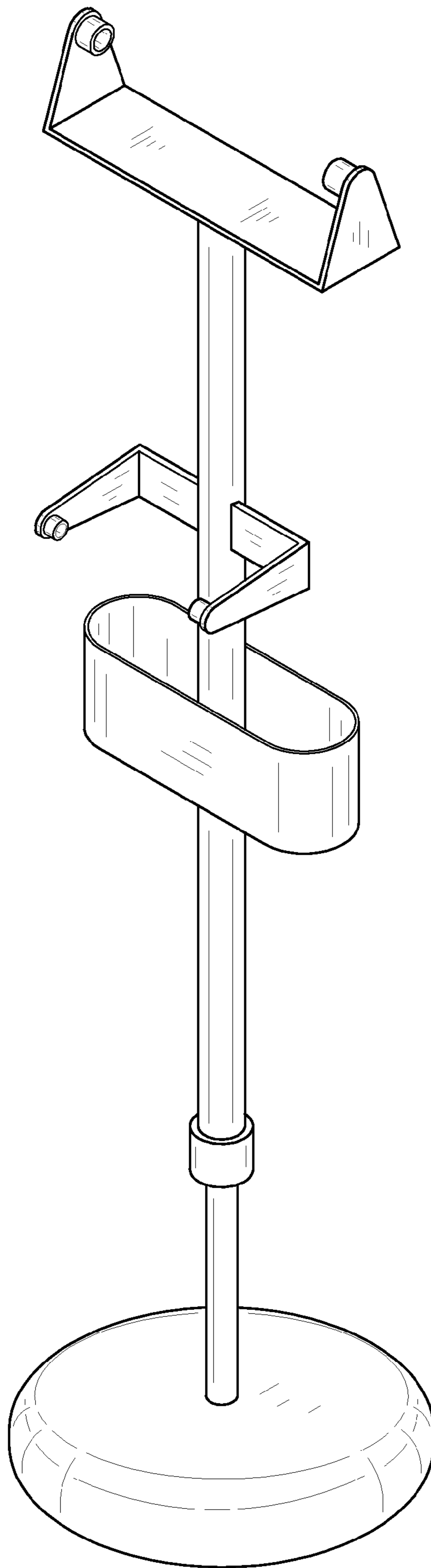


FIG. 1

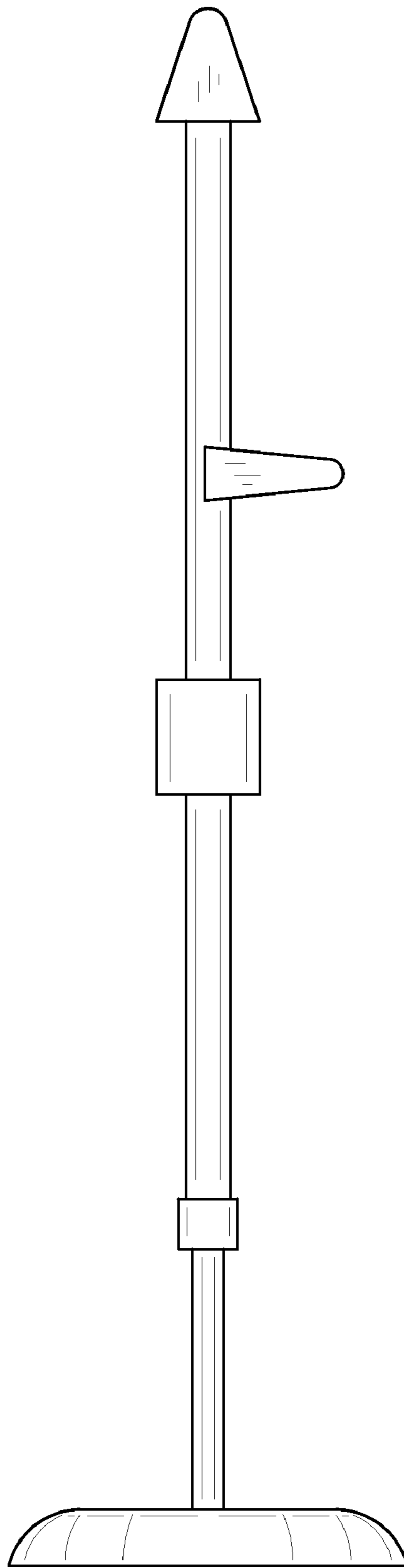


FIG. 2

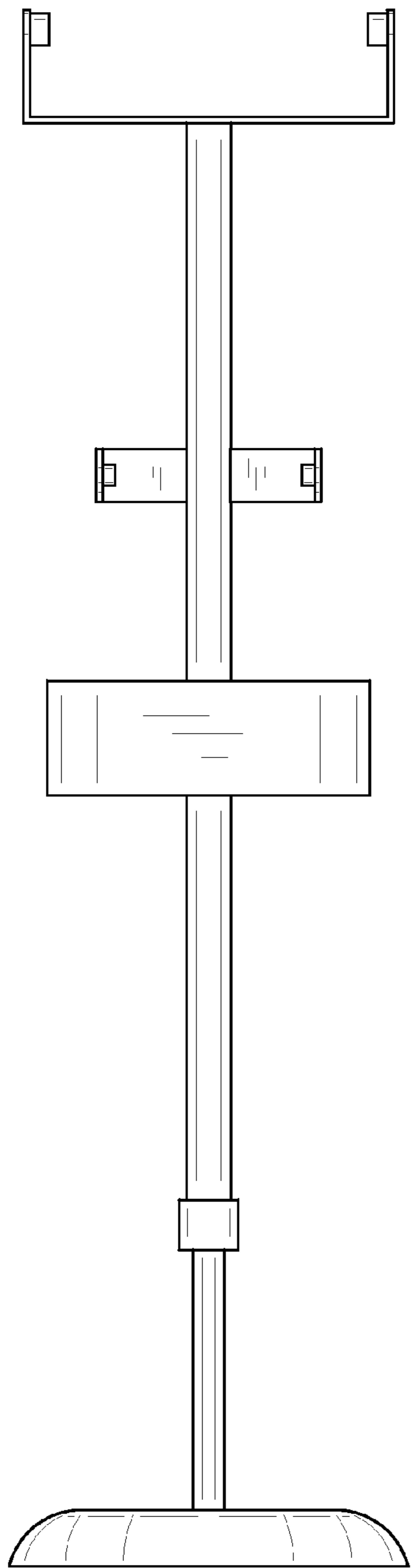


FIG. 3

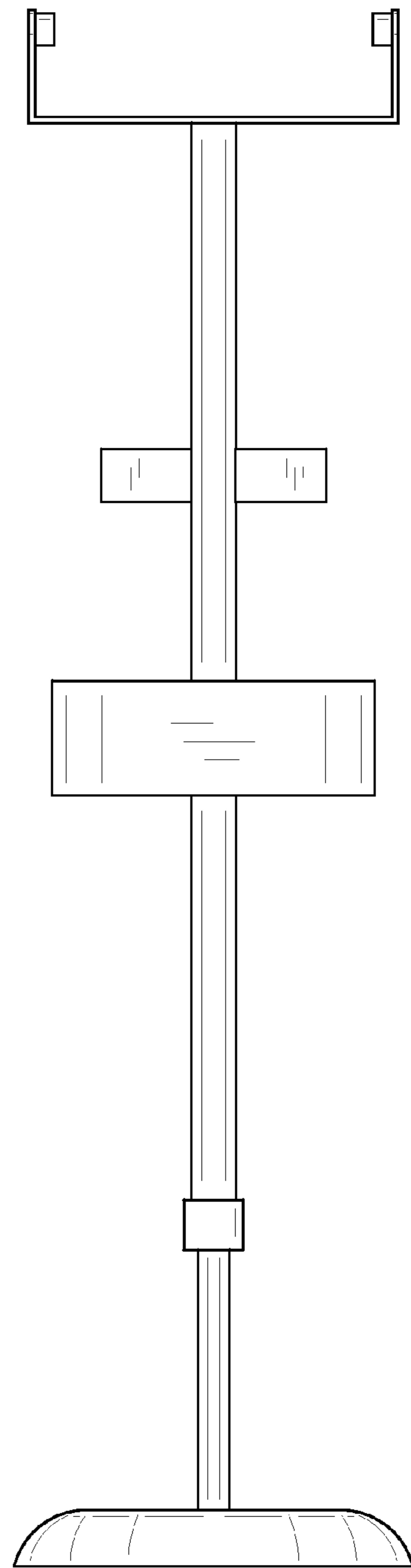


FIG. 4

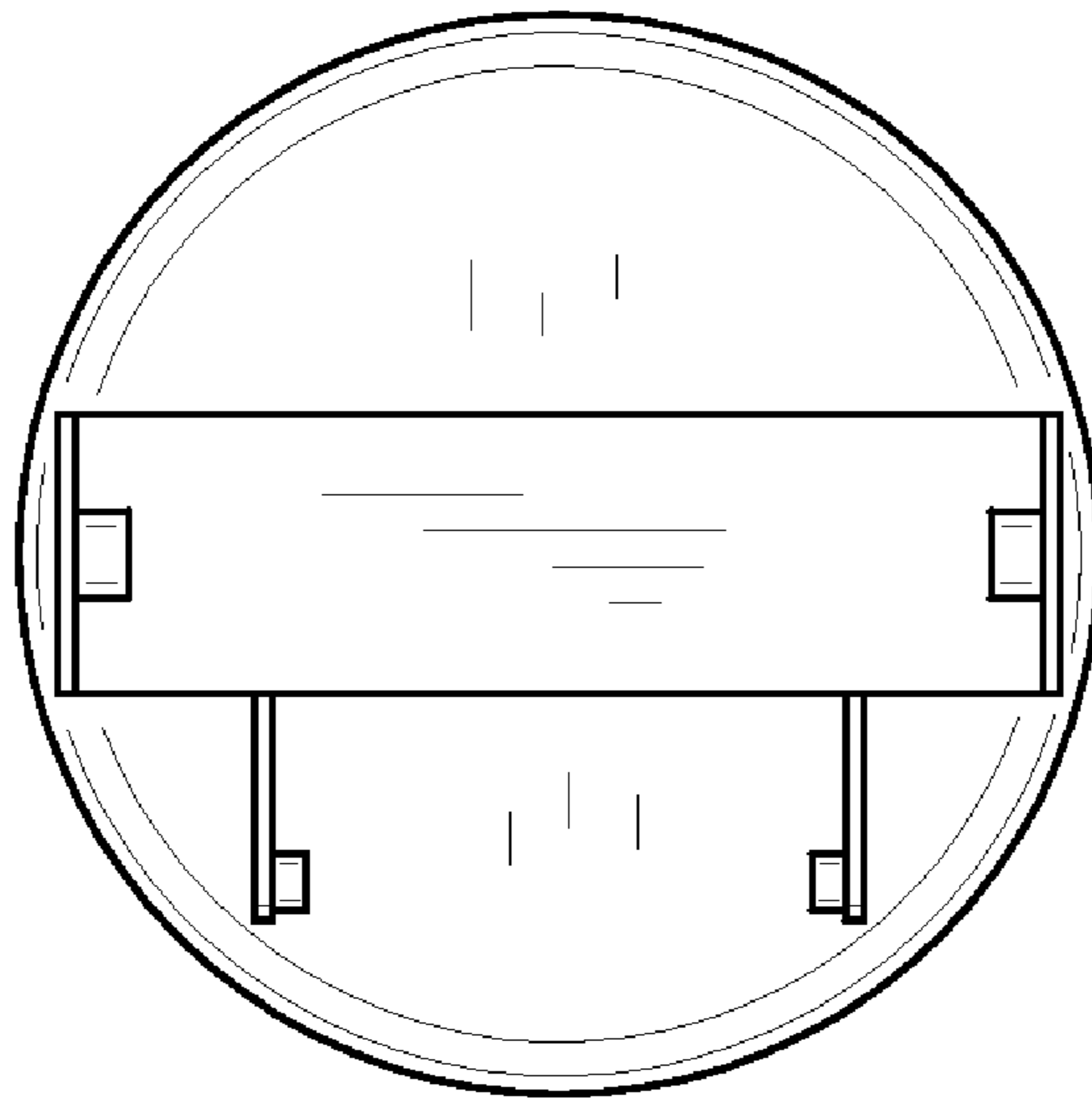


FIG. 5

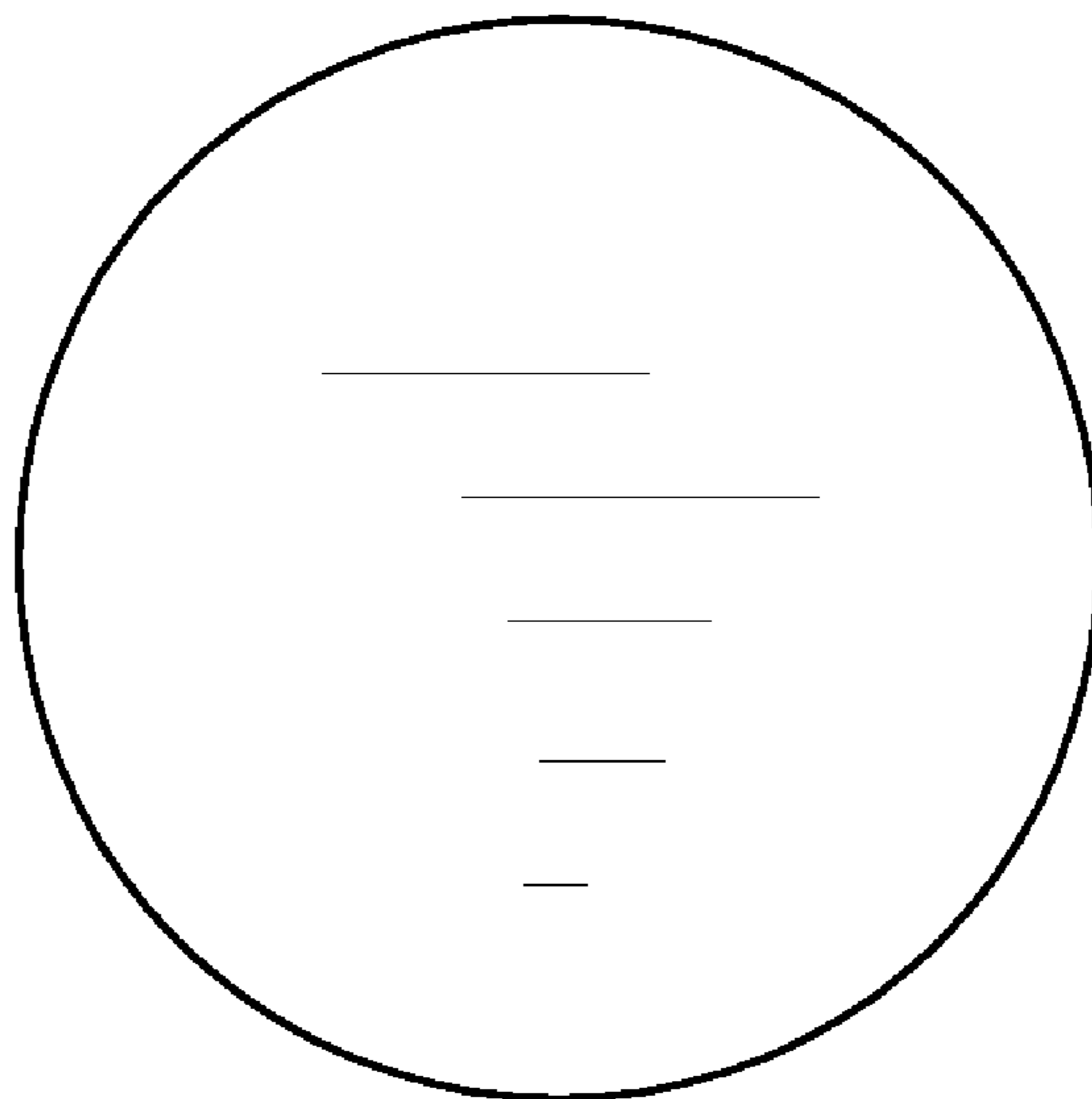


FIG. 6