



US00D642408S

(12) **United States Design Patent**  
**Pirkl**

(10) **Patent No.:** **US D642,408 S**

(45) **Date of Patent:** **\*\* Aug. 2, 2011**

(54) **TABLE**

(76) **Inventor:** **Greg Pirkl, Kerrville, TX (US)**

(\*\*) **Term:** **14 Years**

(21) **Appl. No.:** **29/370,372**

(22) **Filed:** **Jul. 8, 2010**

(51) **LOC (9) Cl.** ..... **06-06**

(52) **U.S. Cl.** ..... **D6/511**

(58) **Field of Classification Search** ..... D6/480-489,  
D6/495-499, 511, 429-431, 406.3, 406.5,  
D6/302; 108/150, 155, 156, 157.1, 161,  
108/25, 26, 50.12, 43; D12/419; D7/553.1,  
D7/553.2, 553.4, 553.5

See application file for complete search history.

(56) **References Cited**

**U.S. PATENT DOCUMENTS**

2,998,126	A *	8/1961	Jenkins	.....	206/0.83
3,181,483	A *	5/1965	Devitt et al.	.....	108/25
D252,659	S *	8/1979	Brickman	.....	D6/429
4,450,761	A *	5/1984	Bailey	.....	99/580
D339,507	S *	9/1993	Ancona et al.	.....	D7/698

5,535,682	A *	7/1996	Aigeldinger	.....	108/25
5,918,550	A *	7/1999	Weir et al.	.....	108/42
D538,355	S *	3/2007	Tyson	.....	D21/397
2005/0039639	A1 *	2/2005	Espenschied	.....	108/25

\* cited by examiner

*Primary Examiner* — Janice Seeger

(74) *Attorney, Agent, or Firm* — Christopher L. Makay

(57) **CLAIM**

The ornamental design for a table, as shown and described.

**DESCRIPTION**

FIG. 1 is a perspective view of the table according to my new design;

FIG. 2 is a top view thereof;

FIG. 3 is a front view thereof;

FIG. 4 is a right side view thereof;

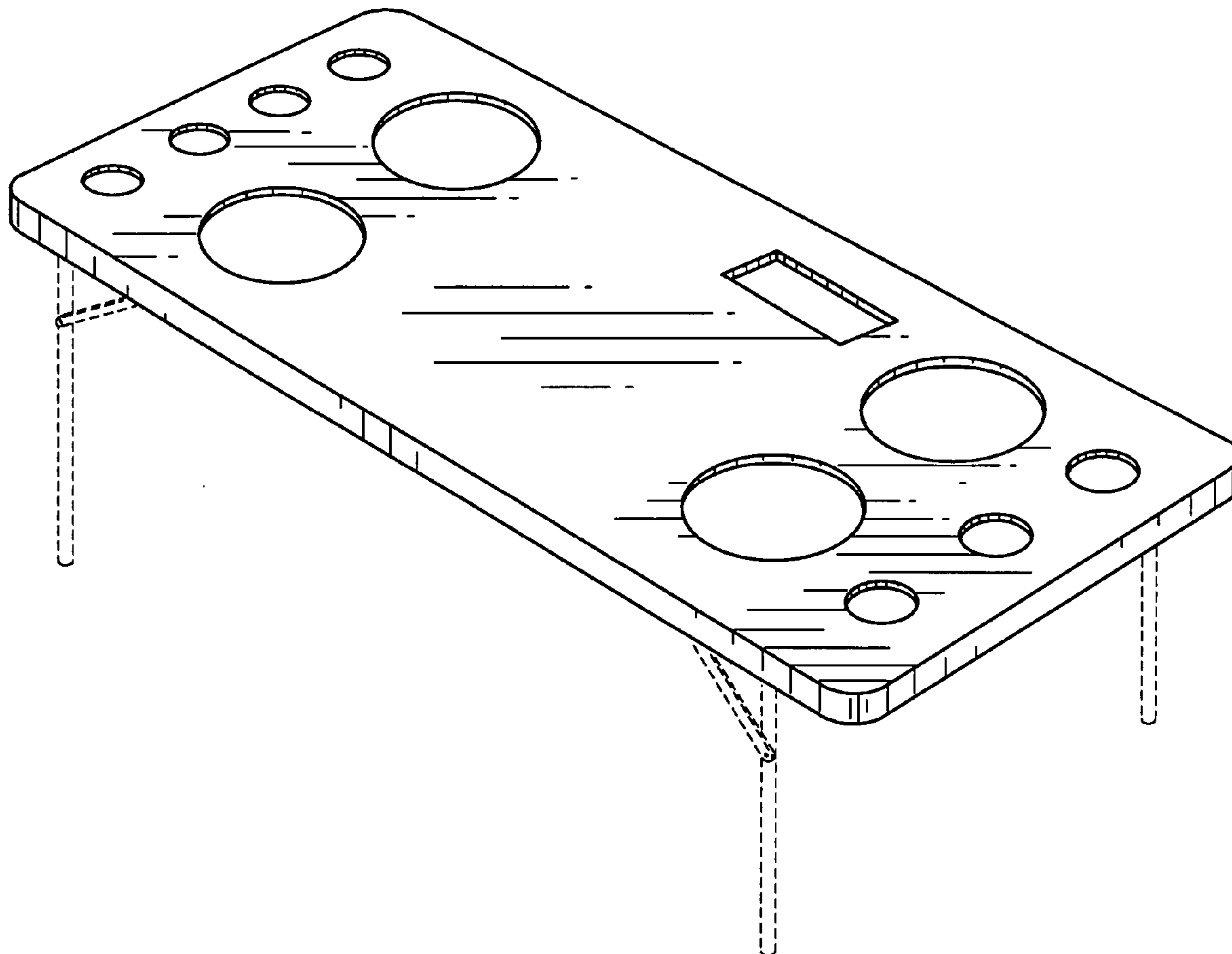
FIG. 5 is a left side view thereof;

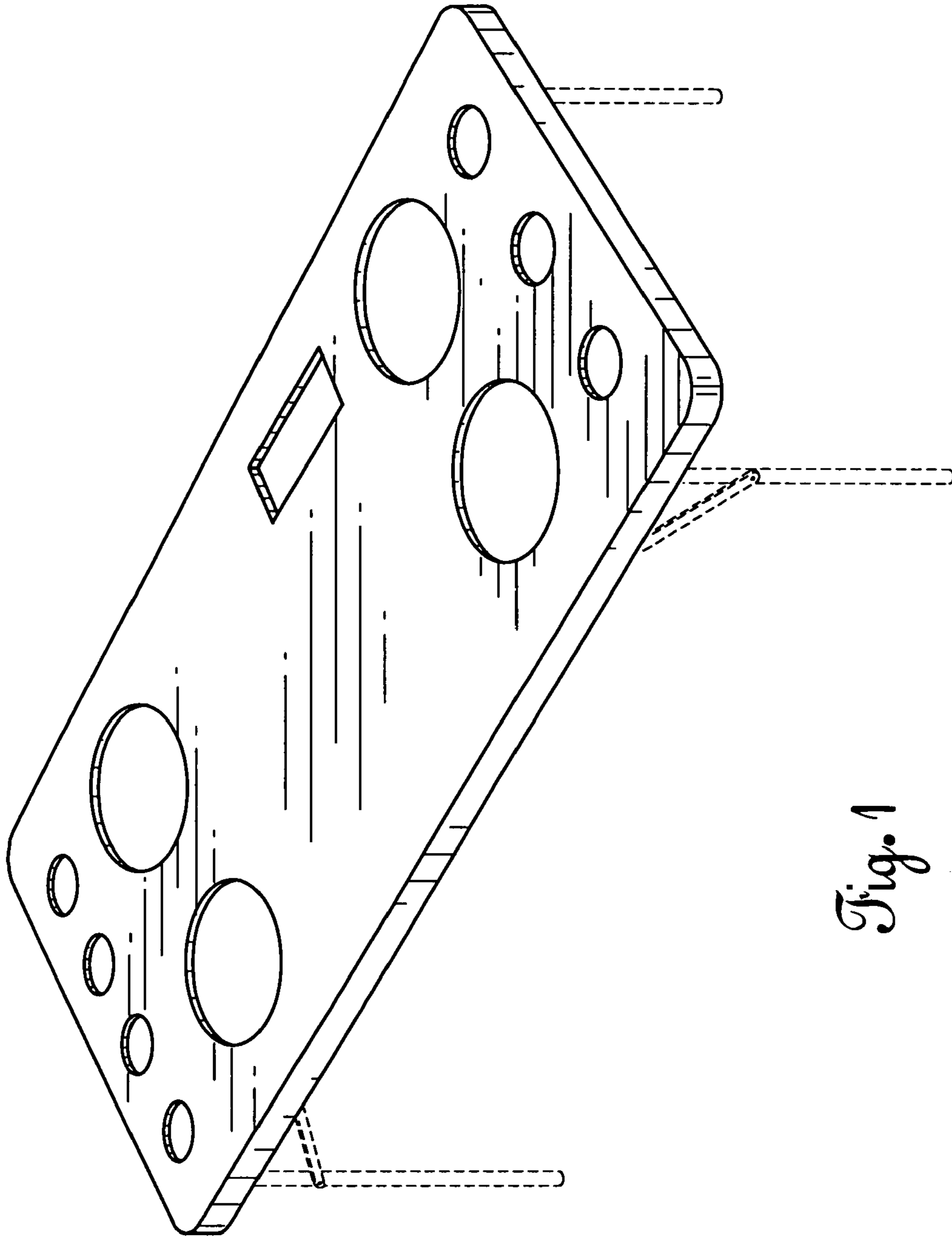
FIG. 6 is a rear view thereof; and,

FIG. 7 is a bottom view thereof.

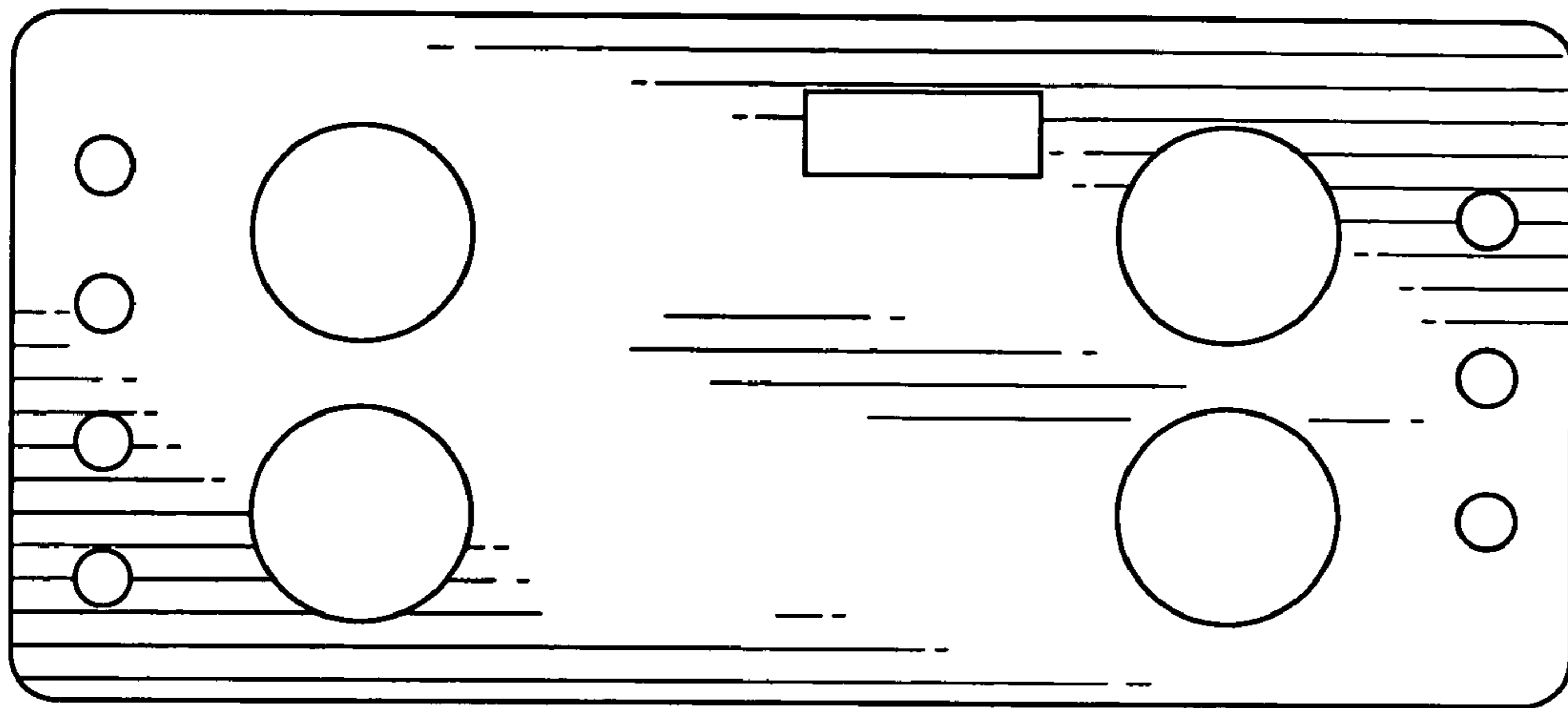
The broken lines are for environmental purposes only and form no part of claimed design.

**1 Claim, 3 Drawing Sheets**

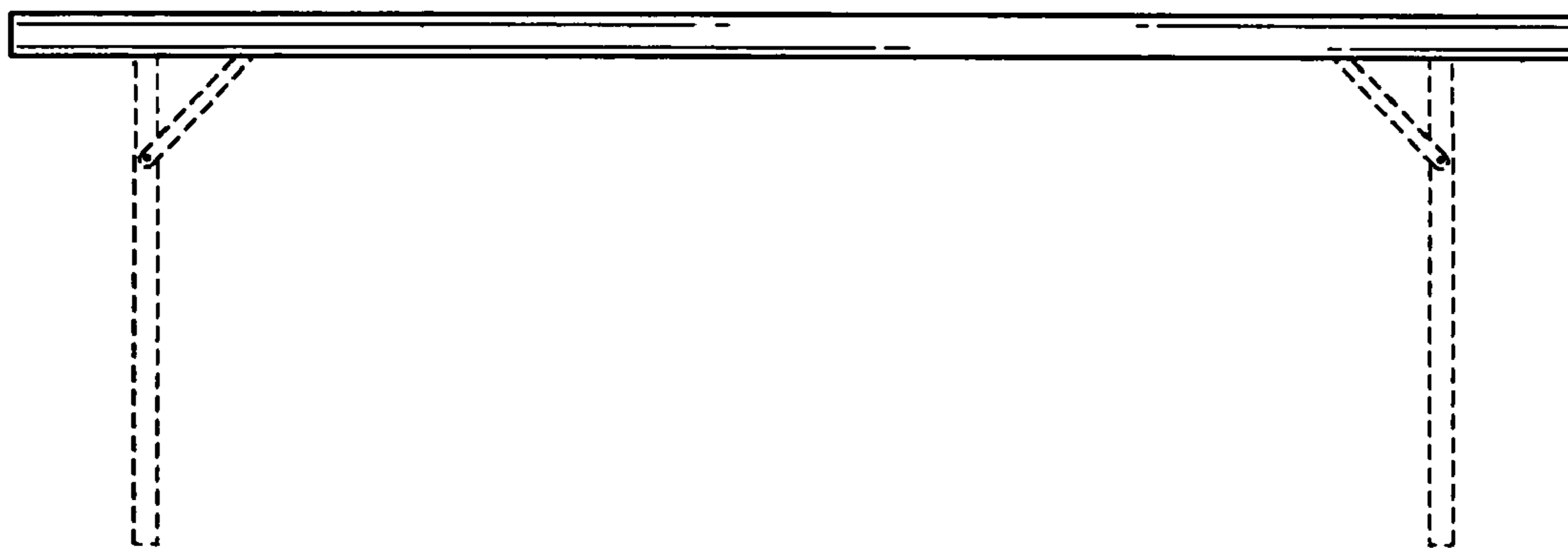




*Fig. 1*



*Fig. 2*



*Fig. 3*

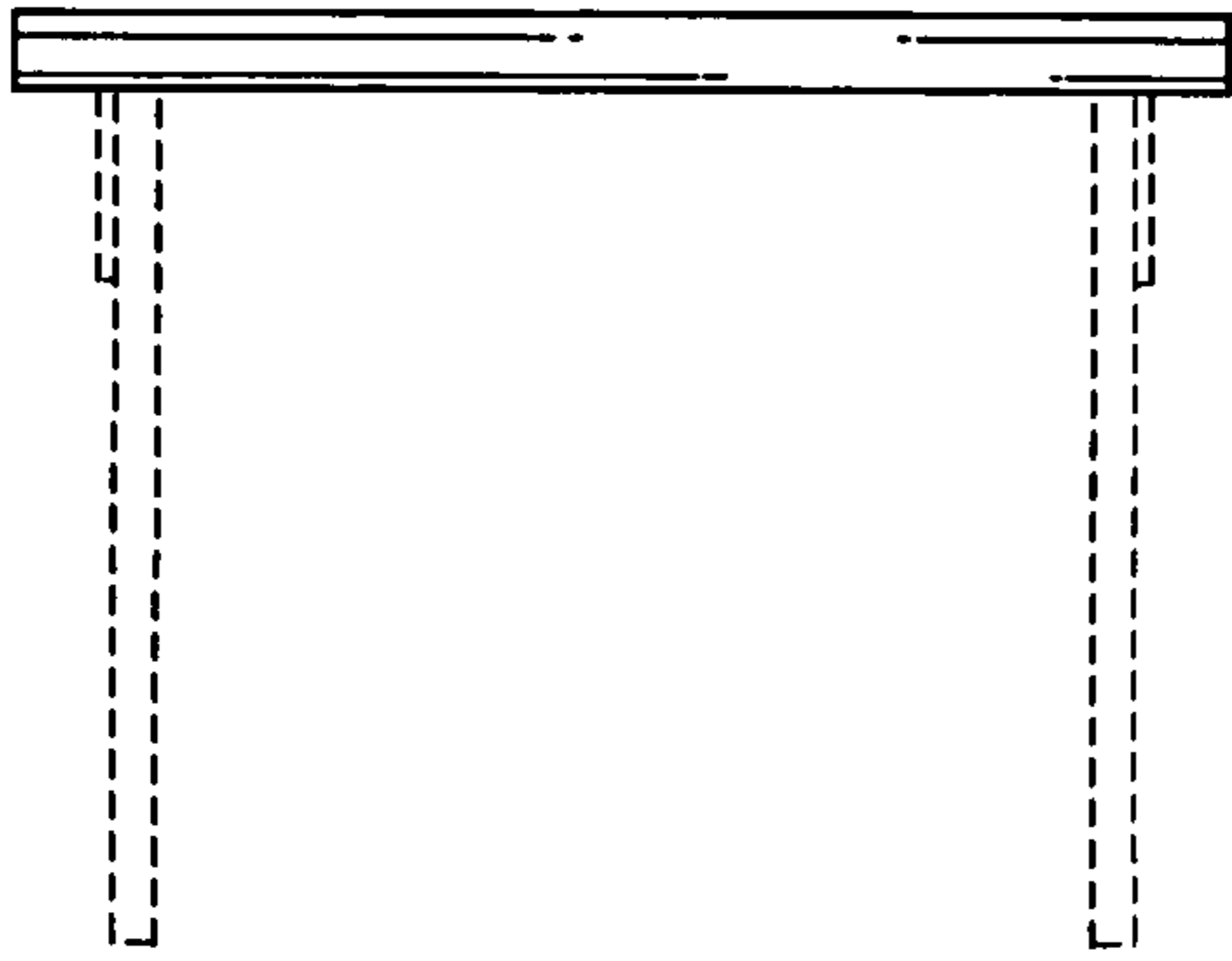


Fig. 4

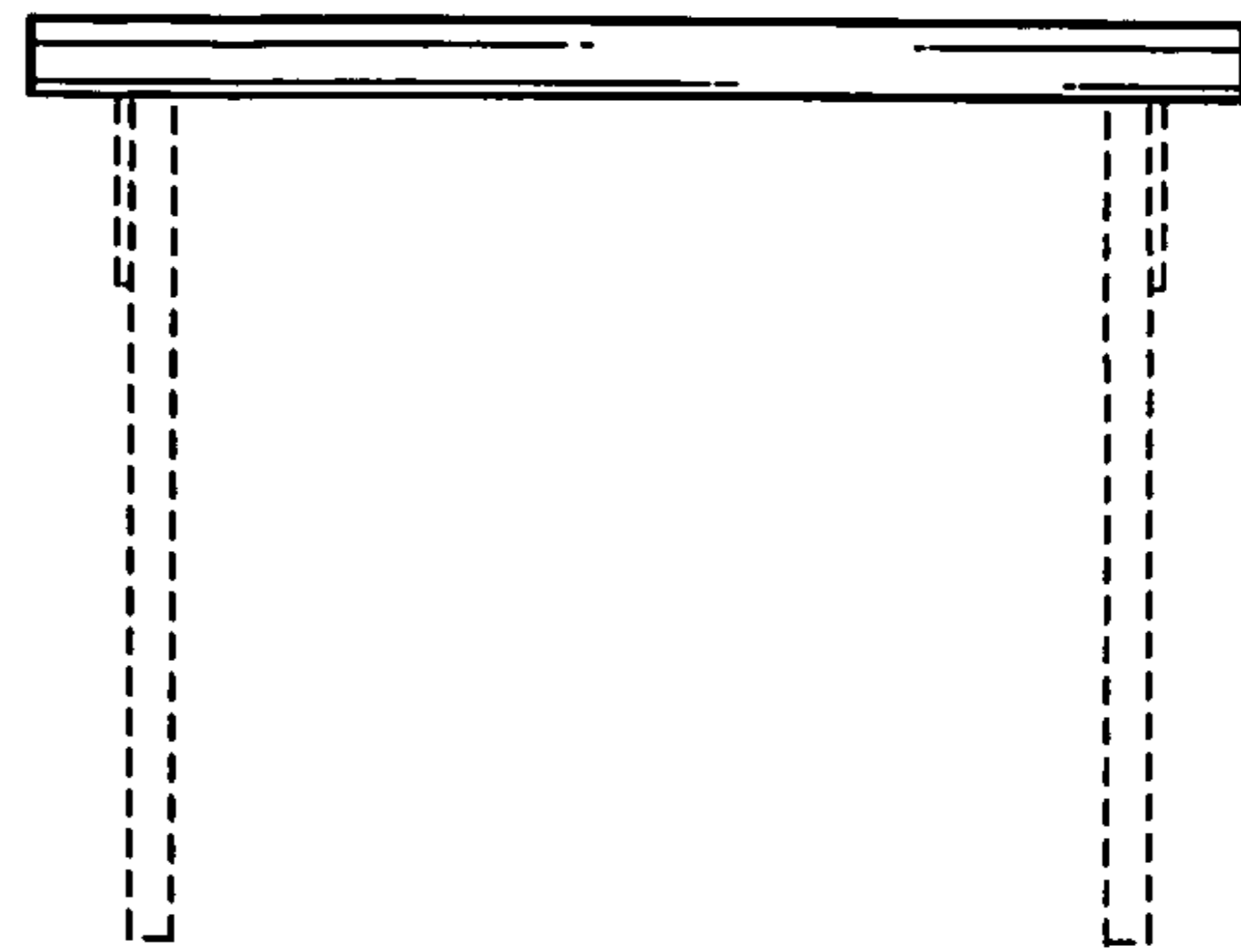


Fig. 5

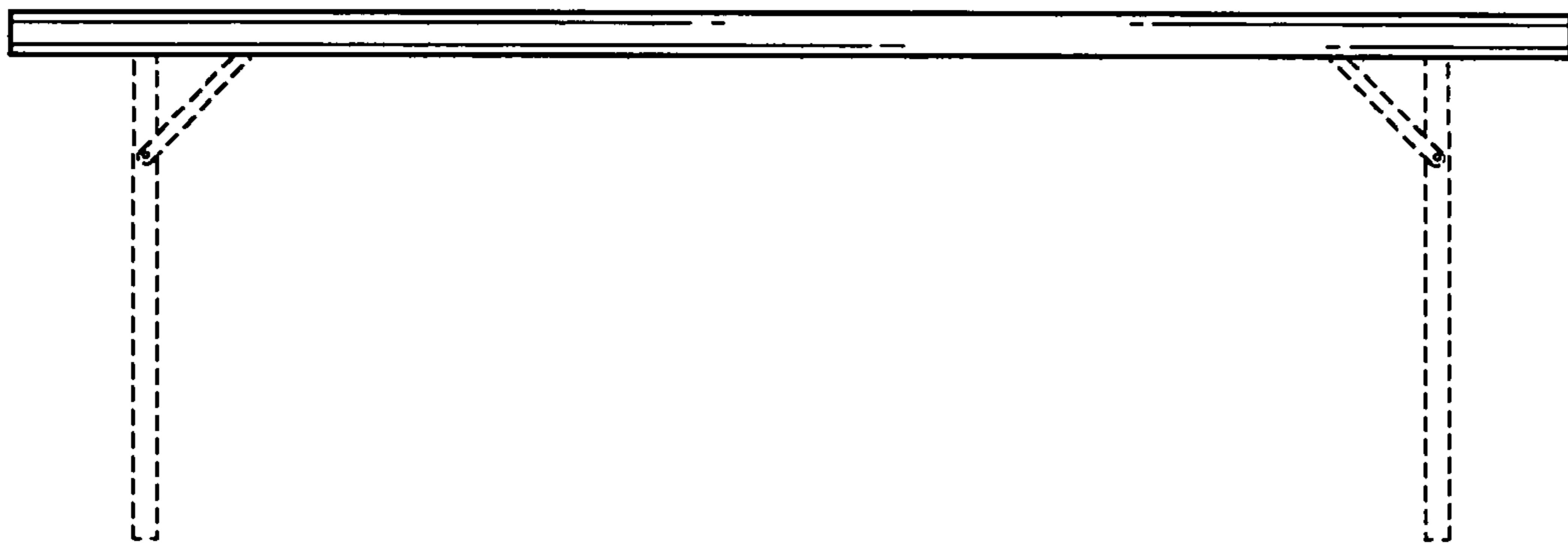


Fig. 6

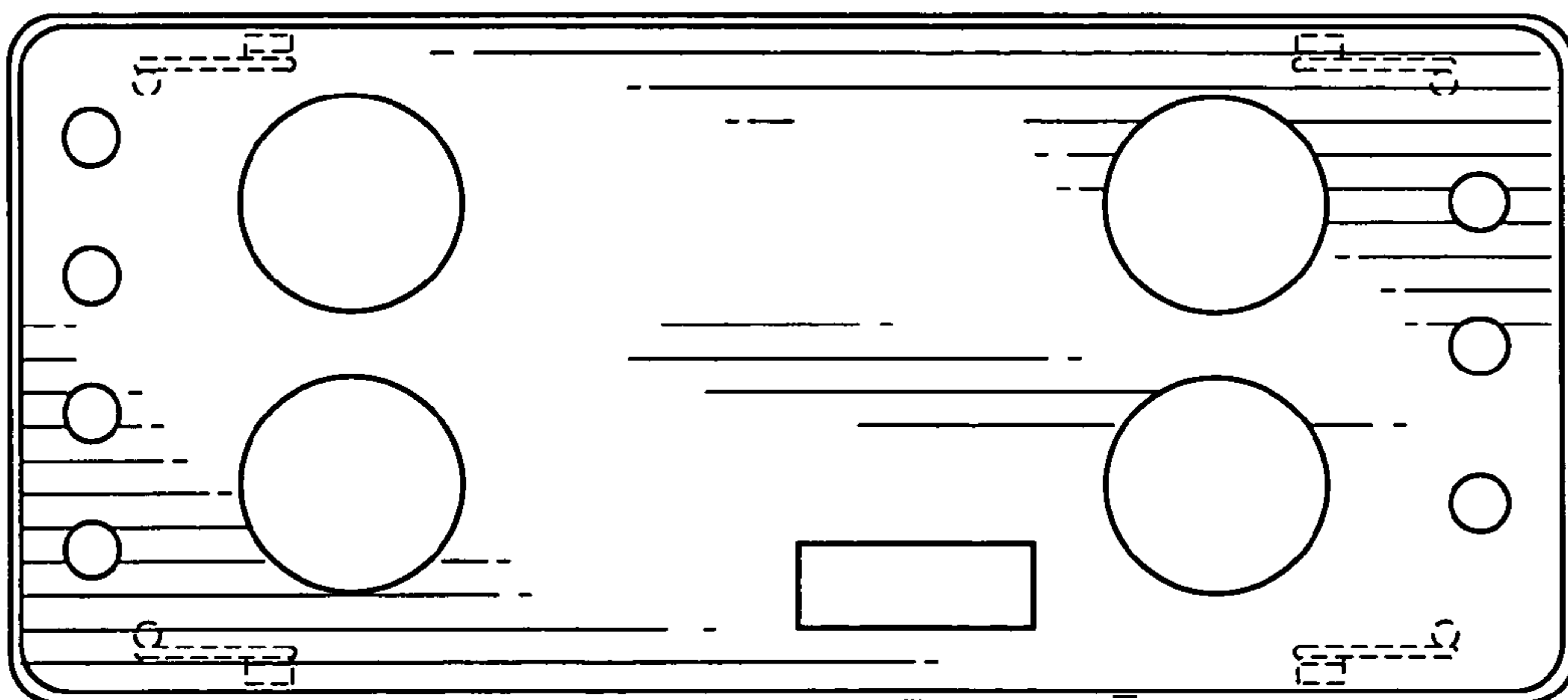


Fig. 7