



US00D642406S

(12) **United States Design Patent**  
**Sofield**

(10) **Patent No.:** **US D642,406 S**

(45) **Date of Patent:** **\*\* Aug. 2, 2011**

(54) **TABLE**

(75) Inventor: **William Sofield**, New York, NY (US)

(73) Assignee: **Baker, Knapp & Tubbs, Inc.**, Hickory, NC (US)

(\*\*) Term: **14 Years**

(21) Appl. No.: **29/345,594**

(22) Filed: **Oct. 19, 2009**

(51) **LOC (9) Cl.** ..... **06-03**

(52) **U.S. Cl.** ..... **D6/484**

(58) **Field of Classification Search** ..... D6/480-489,  
D6/495, 499, 451, 429-431; 108/153.1,  
108/156, 157, 161; 248/188, 188.1, 188.7,  
248/188.8

See application file for complete search history.

(56) **References Cited**

U.S. PATENT DOCUMENTS

D250,313 S \* 11/1978 Miller ..... D6/484  
D282,798 S 3/1986 Doezema

D282,799 S 3/1986 Doezema  
D290,565 S 6/1987 Doezema  
D292,458 S 10/1987 Doezema  
D298,095 S \* 10/1988 Kelley et al. .... D6/484  
D422,808 S 4/2000 Vairo  
D427,814 S 7/2000 Black  
D461,071 S 8/2002 Diaz-Azcuy  
D471,385 S 3/2003 Diaz-Azcuy  
D591,984 S \* 5/2009 Steigerwalt ..... D6/495

\* cited by examiner

*Primary Examiner* — Janice Seeger

(74) *Attorney, Agent, or Firm* — Merchant & Gould PC

(57) **CLAIM**

The ornamental design for a table, as shown and described.

**DESCRIPTION**

FIG. 1 is a perspective view of a table showing my new design;

FIG. 2 is a front elevational view, the rear and side elevational views being identical thereto;

FIG. 3 is a top plan view thereof; and,

FIG. 4 is a bottom plan view thereof.

**1 Claim, 4 Drawing Sheets**

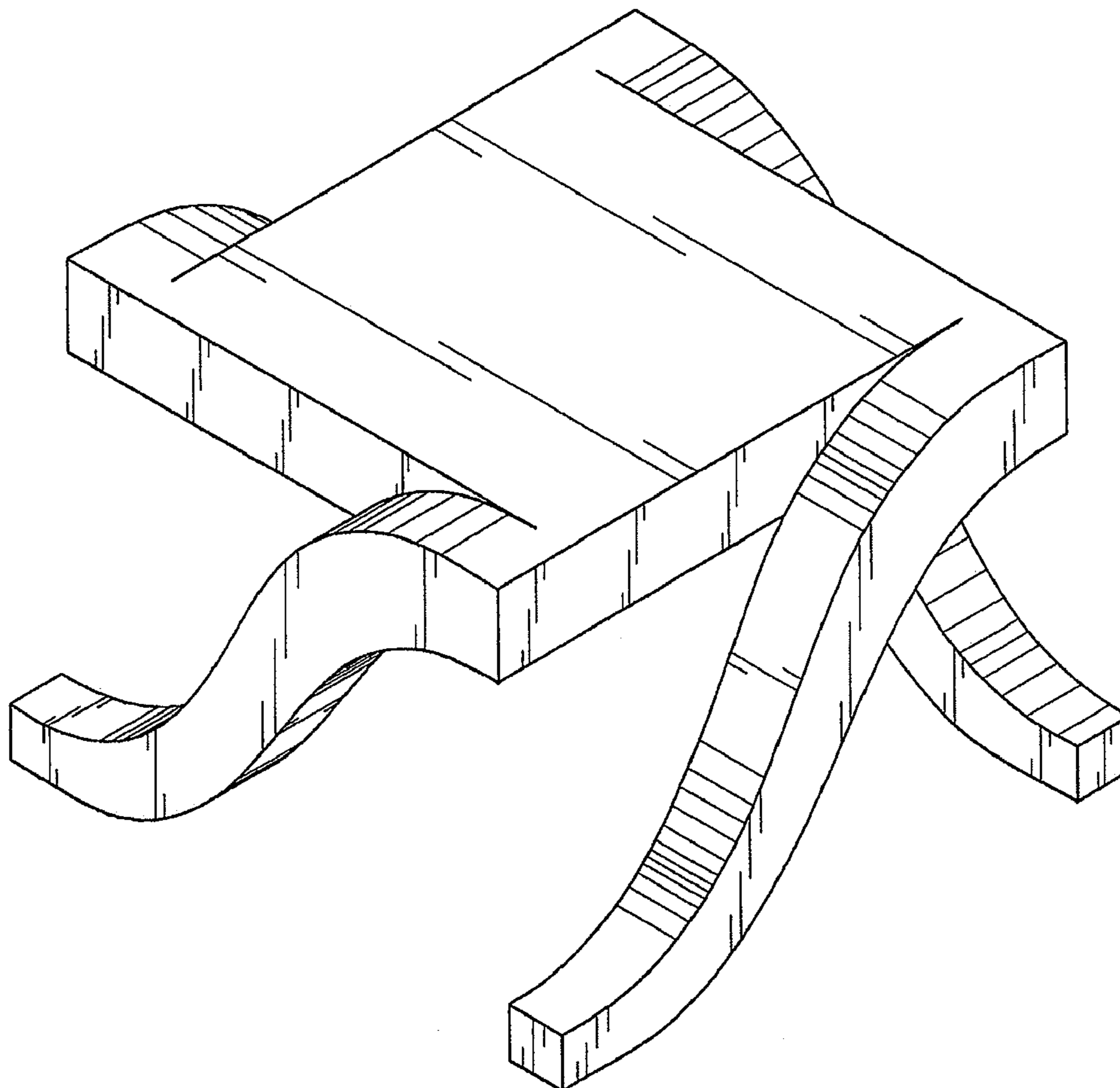


FIG. 1

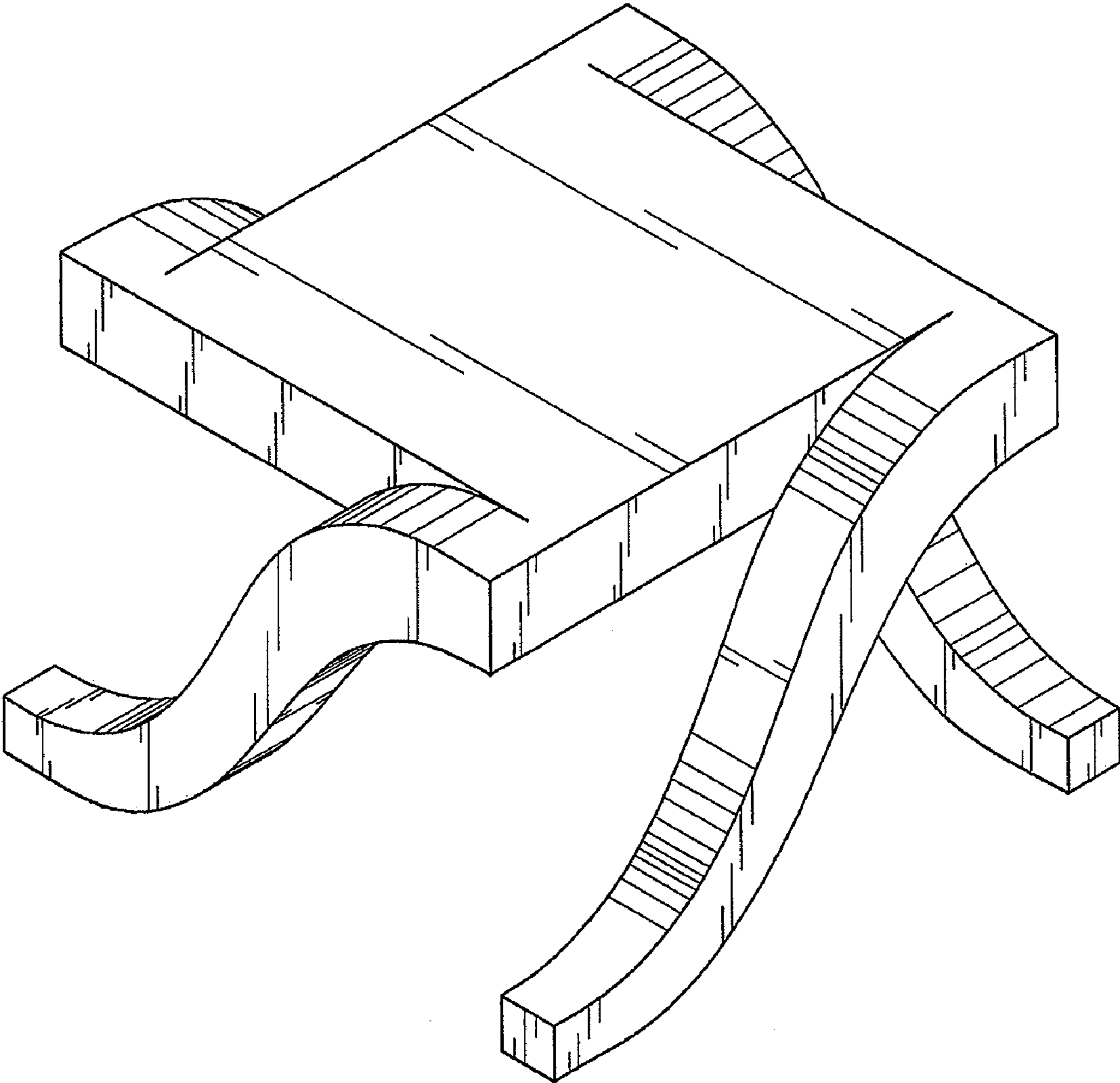


FIG. 2

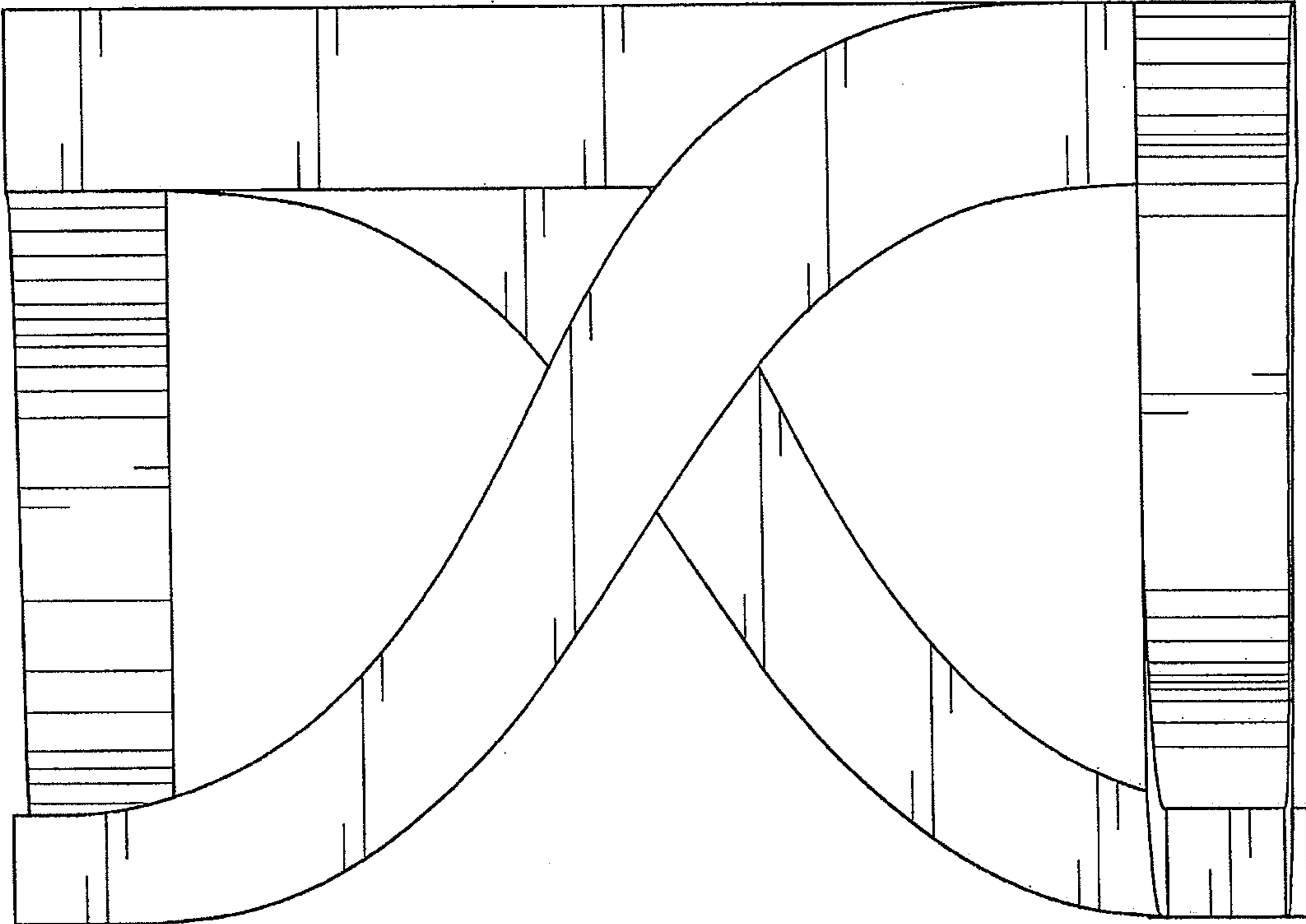


FIG. 3

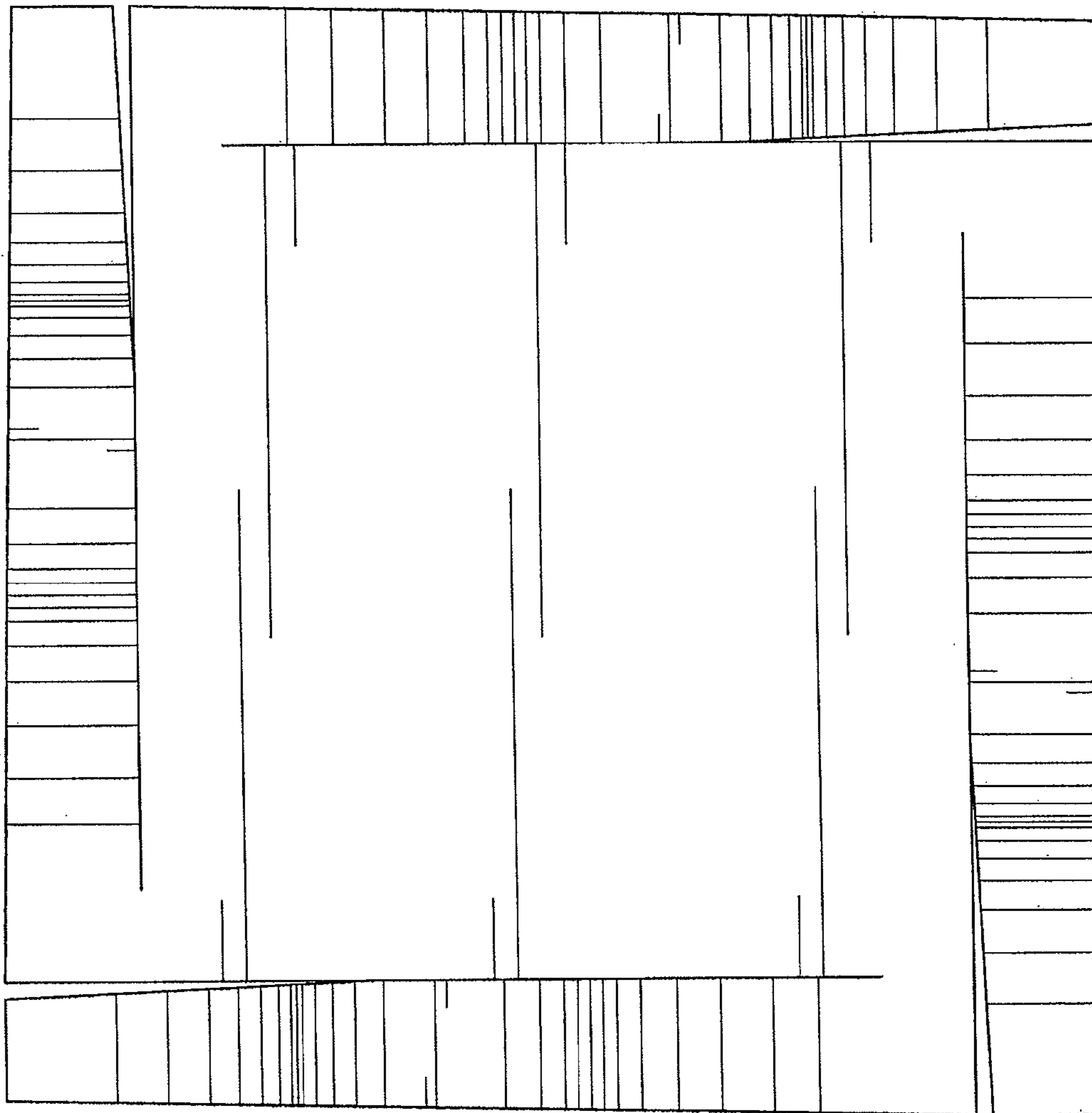


FIG. 4

