



US00D642405S

(12) **United States Design Patent**
Frohne

(10) **Patent No.:** **US D642,405 S**

(45) **Date of Patent:** **** Aug. 2, 2011**

(54) **DISPLAY UNIT**

(75) Inventor: **John Frohne**, Palatine, IL (US)

(73) Assignee: **Chicago Display Marketing Corporation**, River Grove, IL (US)

(**) Term: **14 Years**

(21) Appl. No.: **29/381,324**

(22) Filed: **Dec. 17, 2010**

(51) **LOC (9) Cl.** **06-04**

(52) **U.S. Cl.** **D6/457**

(58) **Field of Classification Search** D6/396,
D6/397, 409, 410, 449, 450, 453-470; 211/1,
211/13.1, 14, 69.1, 69.5, 70, 70.1, 70.6, 74,
211/77, 78, 85.1, 85.2, 85.5; D7/600.1, 600.2,
D7/707; D19/85; 206/214

See application file for complete search history.

(56) **References Cited**

U.S. PATENT DOCUMENTS

D186,060	S	*	9/1959	Udesky et al.	D6/450
D207,191	S	*	3/1967	Kearns	D6/450
D208,283	S	*	8/1967	Cranfill	D6/457
D250,150	S	*	11/1978	Ganz	D6/457
D297,191	S	*	8/1988	Frieden, Jr.	D6/461
4,972,947	A	*	11/1990	McCarthy	206/214
D323,446	S	*	1/1992	Morse	D7/600.2
D361,223	S	*	8/1995	Sanson	D6/457

D407,279	S	*	3/1999	Tisdale	D7/600.2
D407,920	S	*	4/1999	Duffield	D6/461
D430,446	S	*	9/2000	Romich	D6/457
D478,745	S		8/2003	Sparkowski		
D554,898	S		11/2007	Sparkowski		
D580,192	S		11/2008	Sparkowski		

* cited by examiner

Primary Examiner — Mary Ann Calabrese

(74) *Attorney, Agent, or Firm* — Michael Best & Friedrich LLP

(57) **CLAIM**

I claim the ornamental design for a display unit, as shown and described.

DESCRIPTION

FIG. 1 is a top perspective view of a display unit embodying the present invention.

FIG. 2 is a bottom perspective view of the display unit shown in FIG. 1.

FIG. 3 is a front view of the display unit shown in FIG. 1.

FIG. 4 is a back view of the display unit shown in FIG. 1.

FIG. 5 is a left side view of the display unit shown in FIG. 1.

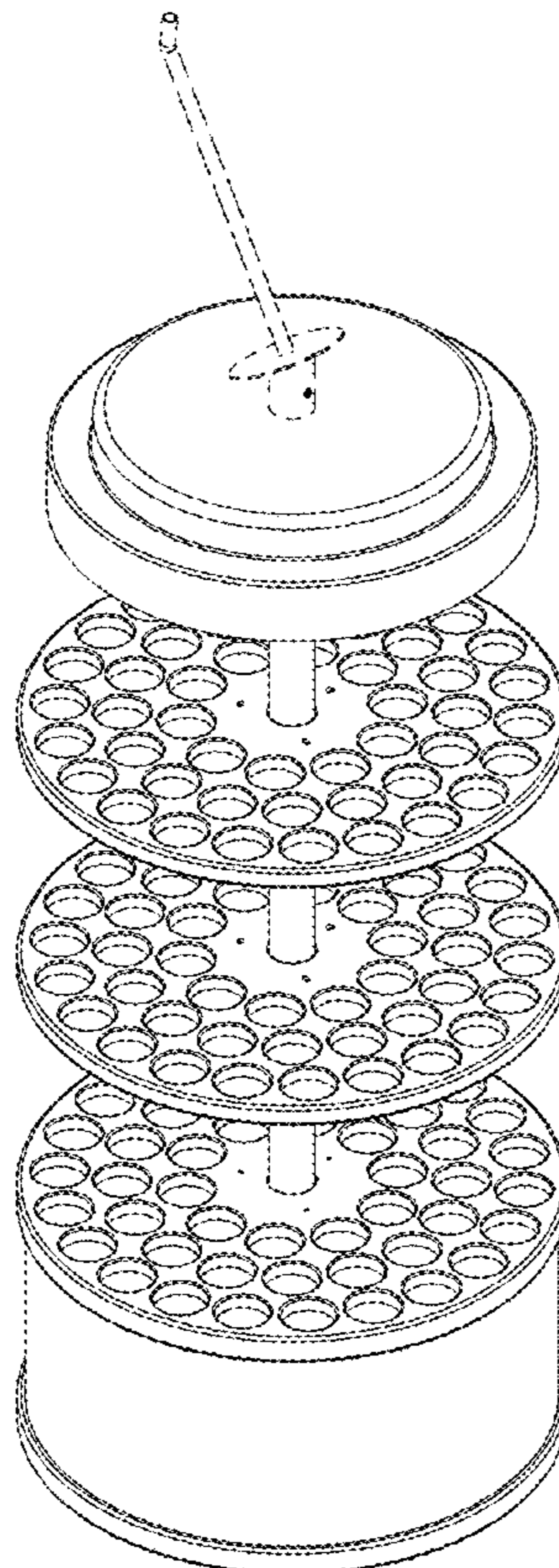
FIG. 6 is a right side view of the display unit shown in FIG. 1.

FIG. 7 is a top view of the display unit shown in FIG. 1; and,

FIG. 8 is a bottom view of the display unit shown in FIG. 1.

The broken line showing of a bag holder is for the purposes of illustrating environmental structure and forms no part of the claimed design.

1 Claim, 7 Drawing Sheets



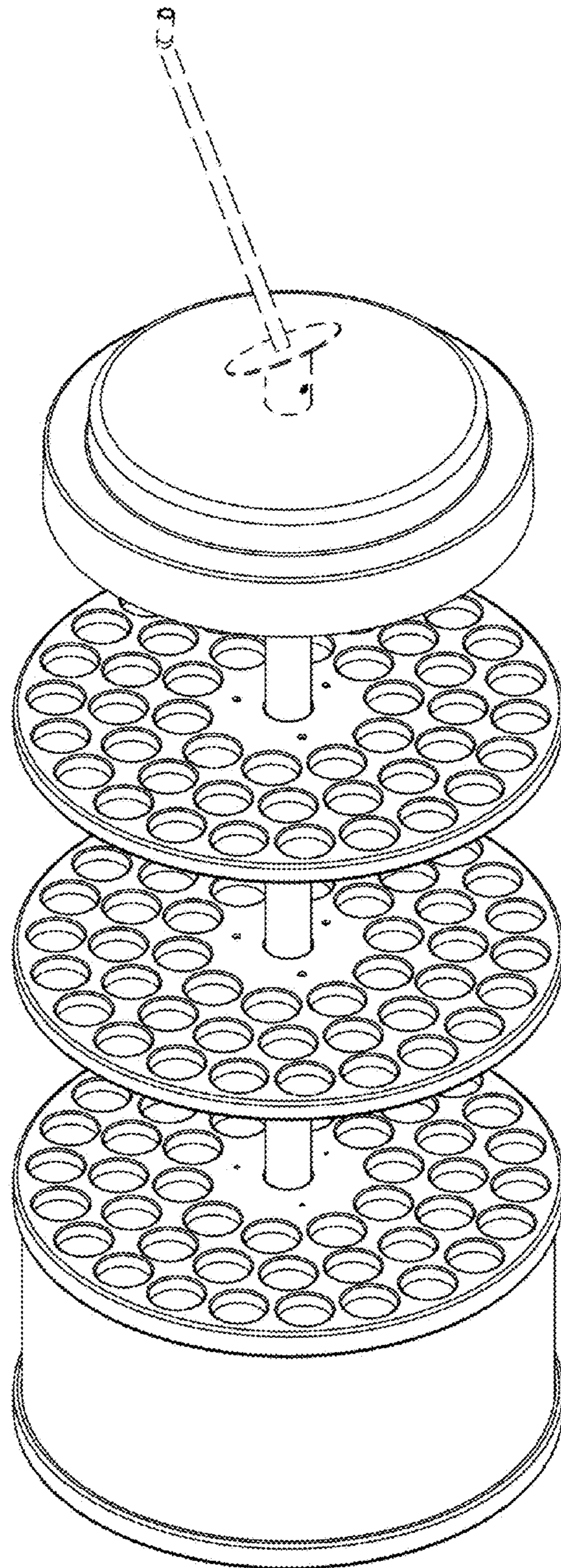


FIG. 1

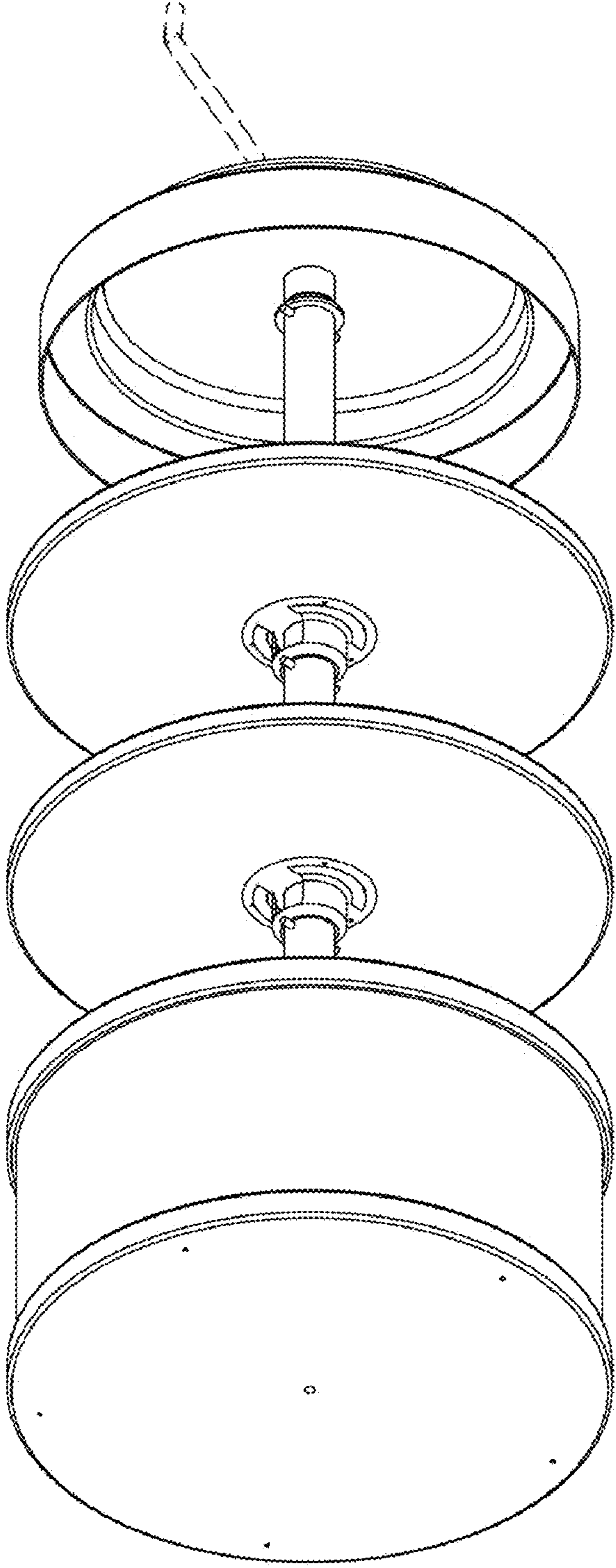


FIG. 2

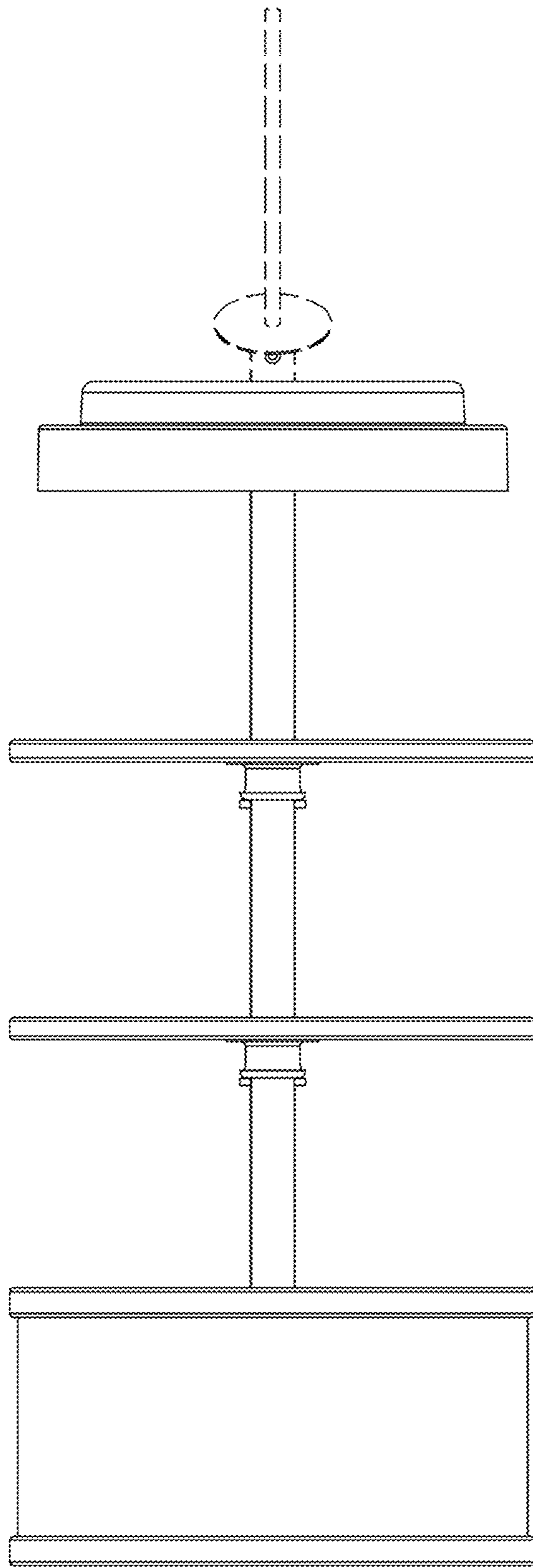


FIG. 3

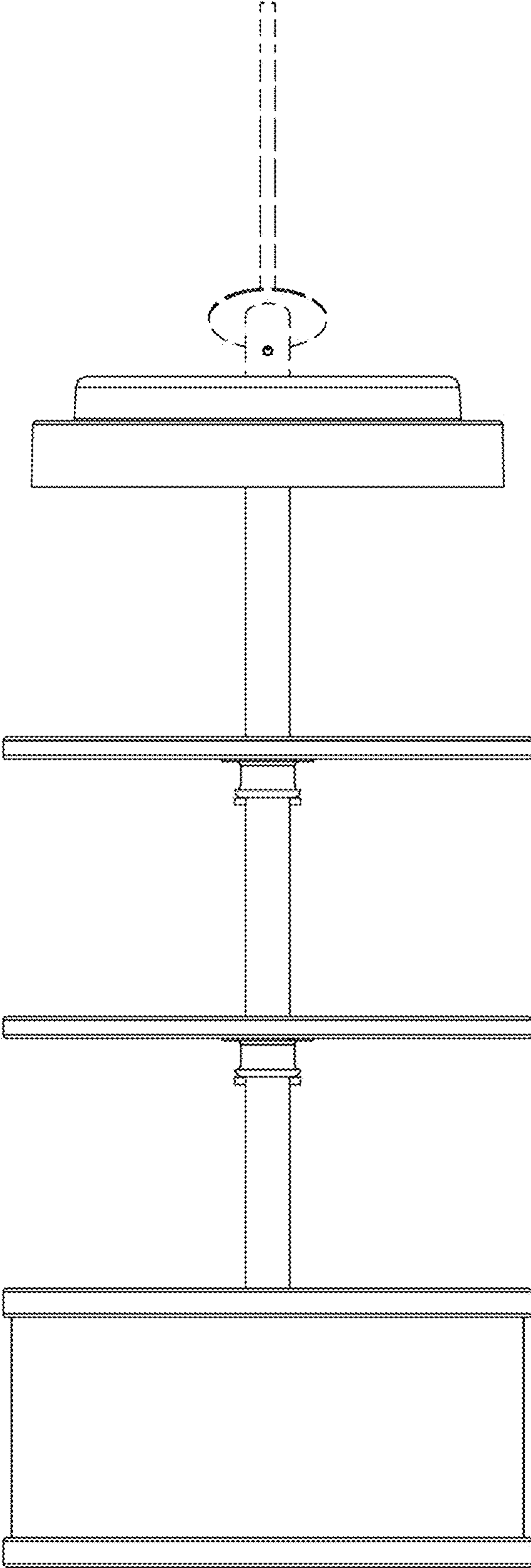


FIG. 4

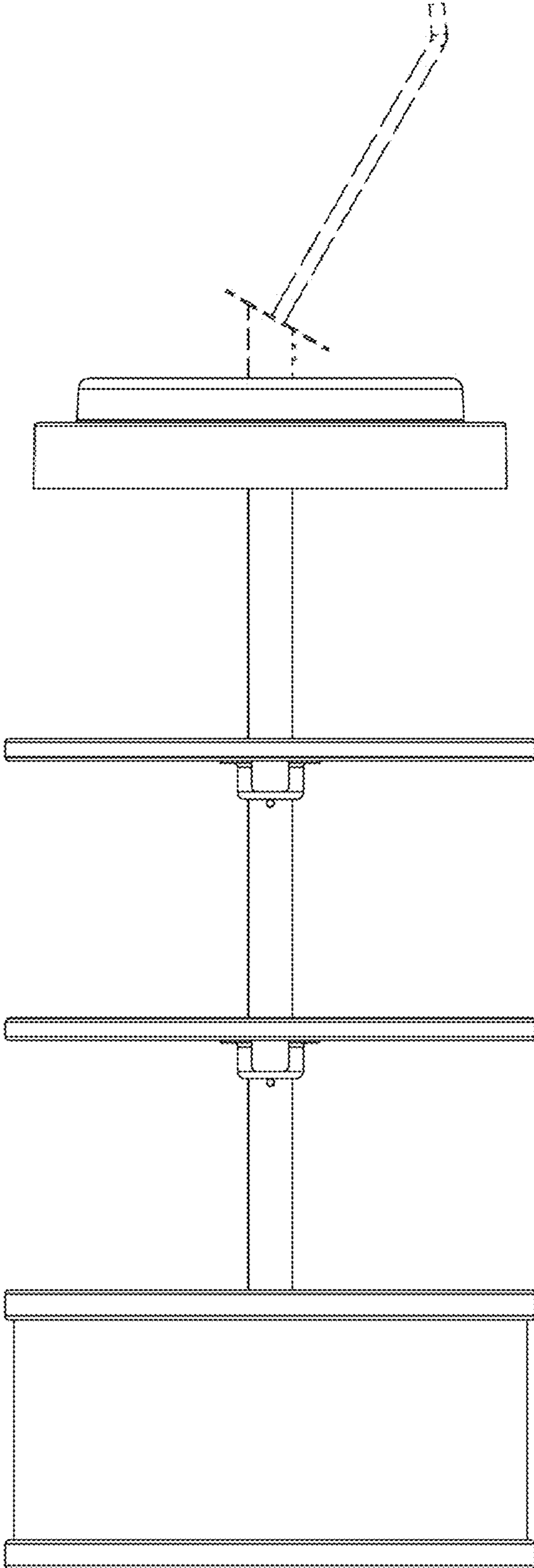


FIG. 5

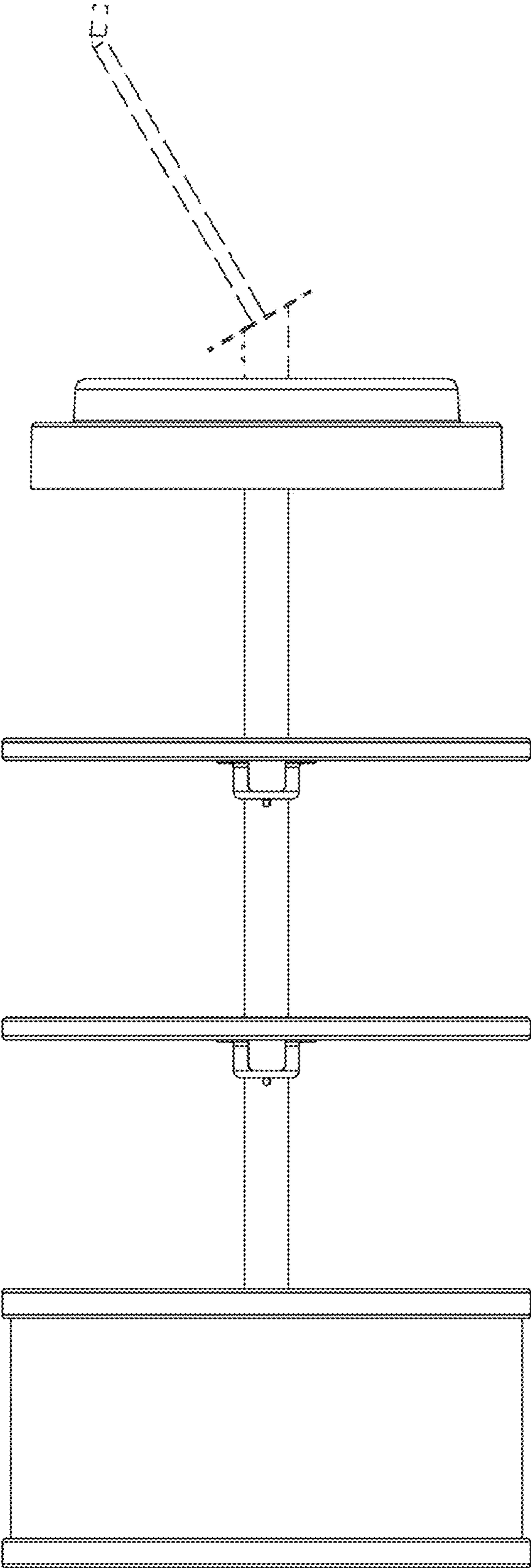


FIG. 6

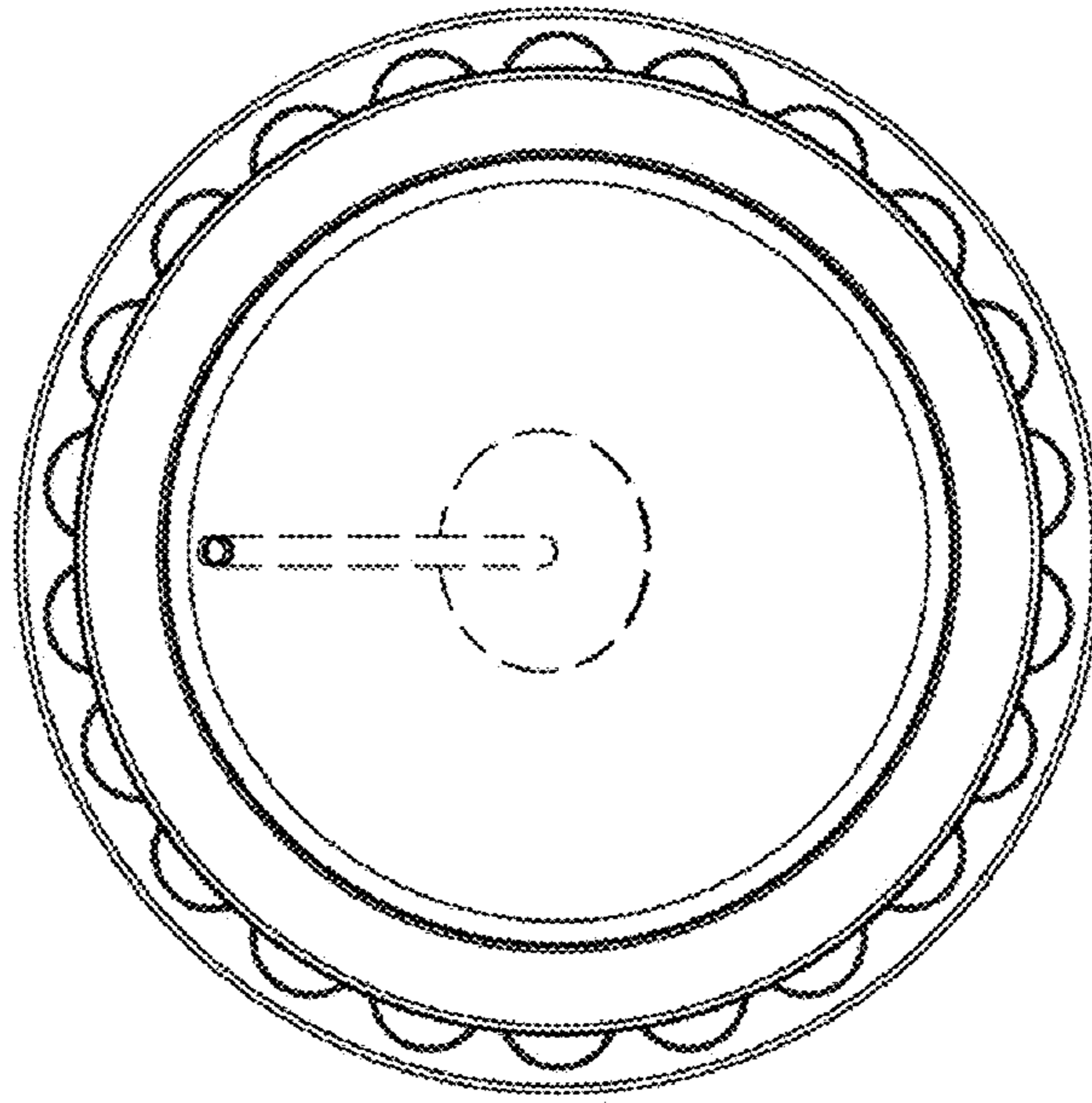


FIG. 7

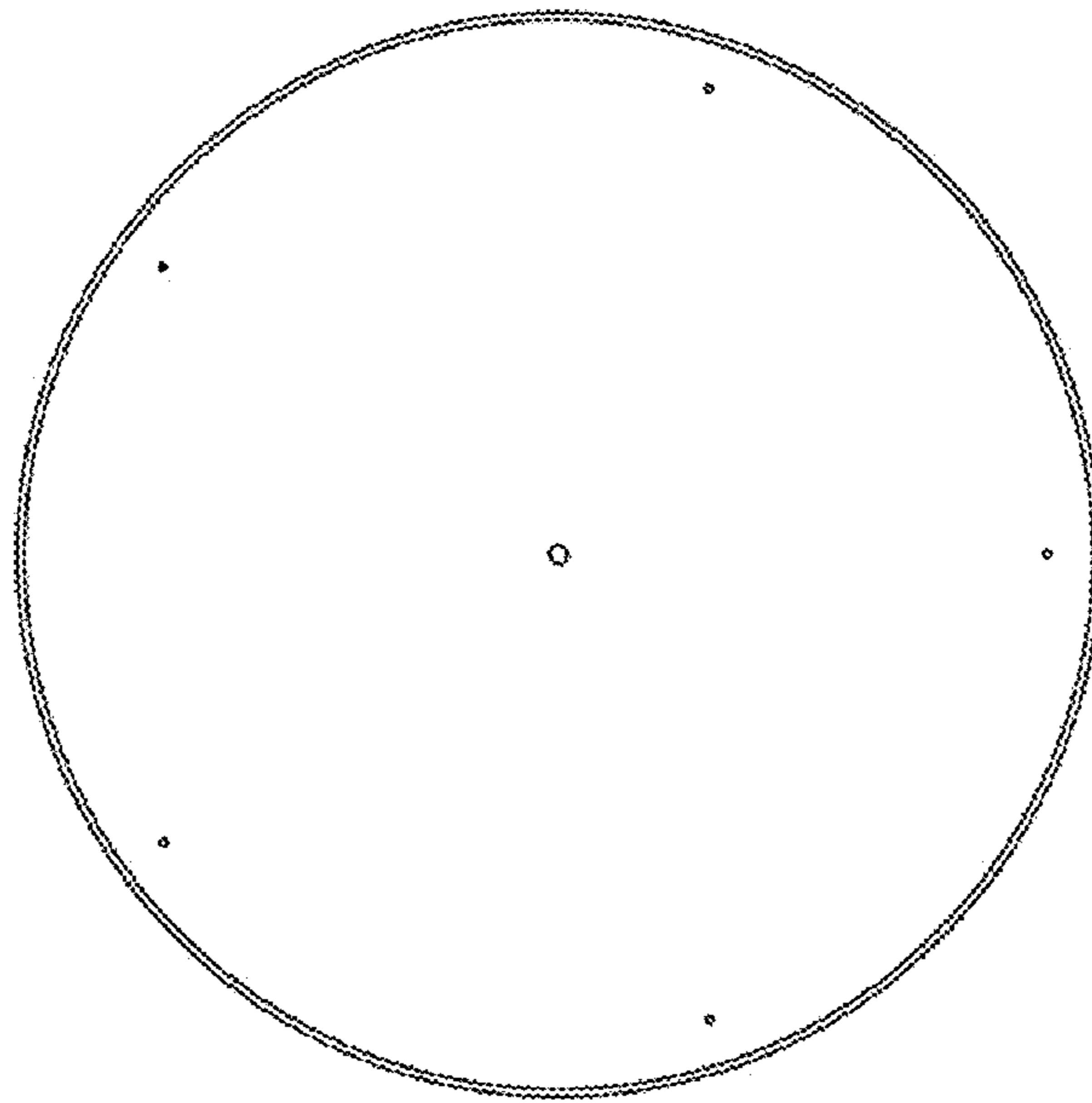


FIG. 8