



US00D642402S

(12) **United States Design Patent**
Rickard

(10) **Patent No.:** **US D642,402 S**

(45) **Date of Patent:** **** Aug. 2, 2011**

(54) **LEANING STAND**

(76) **Inventor:** **Joseph A. Rickard**, Benton, AR (US)

(**) **Term:** **14 Years**

(21) **Appl. No.:** **29/370,187**

(22) **Filed:** **Jun. 14, 2010**

(51) **LOC (9) Cl.** **06-06**

(52) **U.S. Cl.** **D6/417**

(58) **Field of Classification Search** D6/342,
D6/362, 396, 400, 411, 417, 460, 464-465,
D6/474, 477, 495-498, 500-502, 511; D24/107,
D24/128; 211/71.01, 104, 113, 118, 90.01,
211/196, 205, 186; 248/122.1, 123.2, 125.1,
248/136, 146, 156

See application file for complete search history.

(56) **References Cited**

U.S. PATENT DOCUMENTS

D260,816	S	*	9/1981	Zissimopoulos et al.	D24/128
4,787,476	A	*	11/1988	Lee	182/116
D315,214	S	*	3/1991	Nowak	D24/128
D328,536	S	*	8/1992	Ma	D6/460
D339,249	S	*	9/1993	Wu	D6/411
5,355,835	A	*	10/1994	Freed	119/57.9
D353,066	S	*	12/1994	Brandenberg	D6/460
D406,960	S	*	3/1999	Zaid	D6/464
D414,554	S	*	9/1999	Salmon et al.	D24/107
D420,534	S	*	2/2000	Ruiz	D6/474
D436,167	S	*	1/2001	Ebert	D24/128
6,323,405	B1	*	11/2001	Yu	84/327
D476,509	S	*	7/2003	Orsino et al.	D6/477
6,637,708	B1	*	10/2003	Peterson	248/285.1
D481,556	S	*	11/2003	Hampshire et al.	D6/465
D489,738	S	*	5/2004	Radermacher	D15/140
D493,292	S	*	7/2004	Seiler	D6/342
D531,428	S	*	11/2006	Choo	D6/477
D557,344	S	*	12/2007	Johnson	D20/41
D589,113	S	*	3/2009	Perry	D22/147
D598,025	S	*	8/2009	Lau et al.	D14/452

D608,113	S	*	1/2010	Koh	D6/474
D609,254	S	*	2/2010	Berg et al.	D15/127
D617,107	S	*	6/2010	Thuente et al.	D6/362
D622,377	S	*	8/2010	Jackson	D24/128
D626,238	S	*	10/2010	Zinnanti	D24/185
D628,691	S	*	12/2010	Sung et al.	D24/128
D629,064	S	*	12/2010	Riley	D22/107
D632,358	S	*	2/2011	Vaughn et al.	D22/147
2003/0233964	A1	*	12/2003	Comeaux	108/90
2008/0236948	A1	*	10/2008	duCellier	182/187

* cited by examiner

Primary Examiner — Elizabeth Albert

Assistant Examiner — Kelley Donnelly

(74) *Attorney, Agent, or Firm* — Keisling & Pieper PLC;
Stephen D. Schrantz

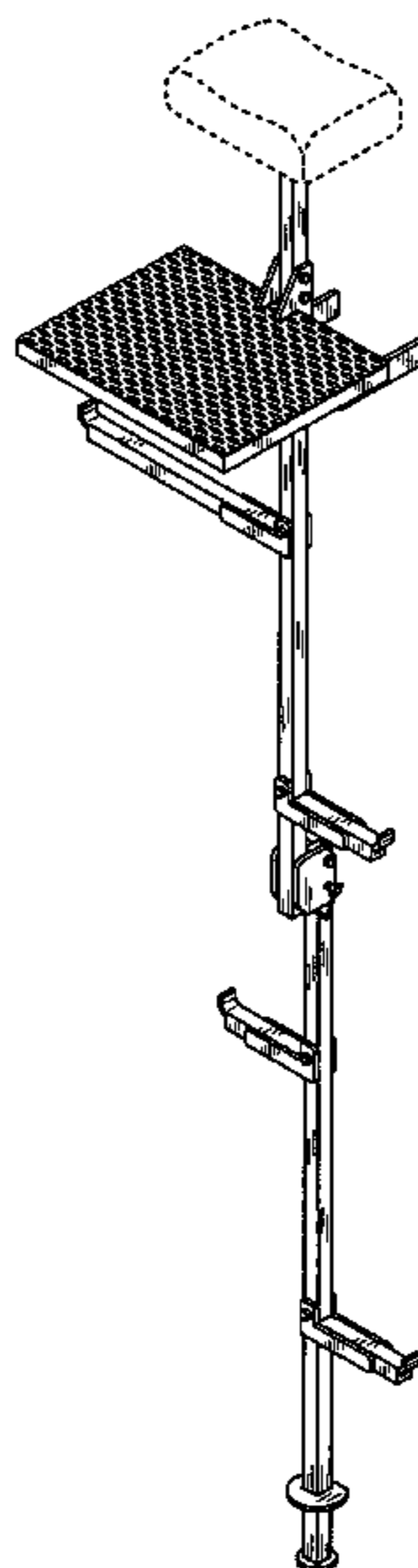
(57) **CLAIM**

The ornamental design for a leaning stand, as shown and described.

DESCRIPTION

FIG. 1 is an isometric view of a leaning stand showing my new design;
 FIG. 2 is a front view thereof;
 FIG. 3 is a rear view thereof;
 FIG. 4 is a left side view thereof;
 FIG. 5 is a right side view thereof;
 FIG. 6 is a top view thereof;
 FIG. 7 is a front view thereof showing extrusions in a folded position;
 FIG. 8 is a left side view thereof showing extrusions in a folded position; and,
 FIG. 9 is a left side view thereof, shown in a fully folded position.
 The broken lines showing is included for the purpose of illustrating environment and forms no part of the claimed design.

1 Claim, 4 Drawing Sheets



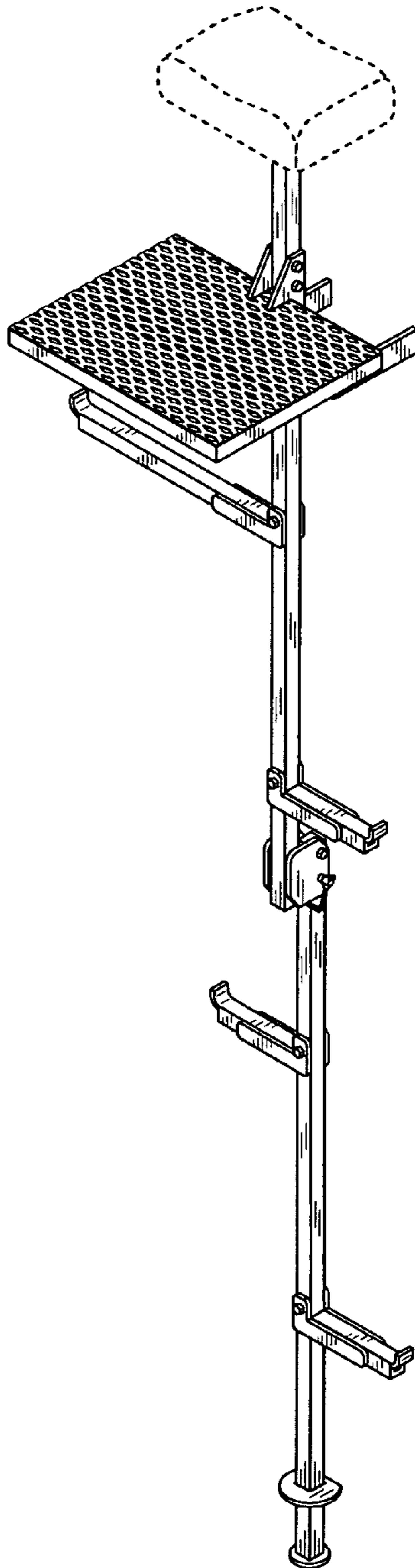


FIG. 1

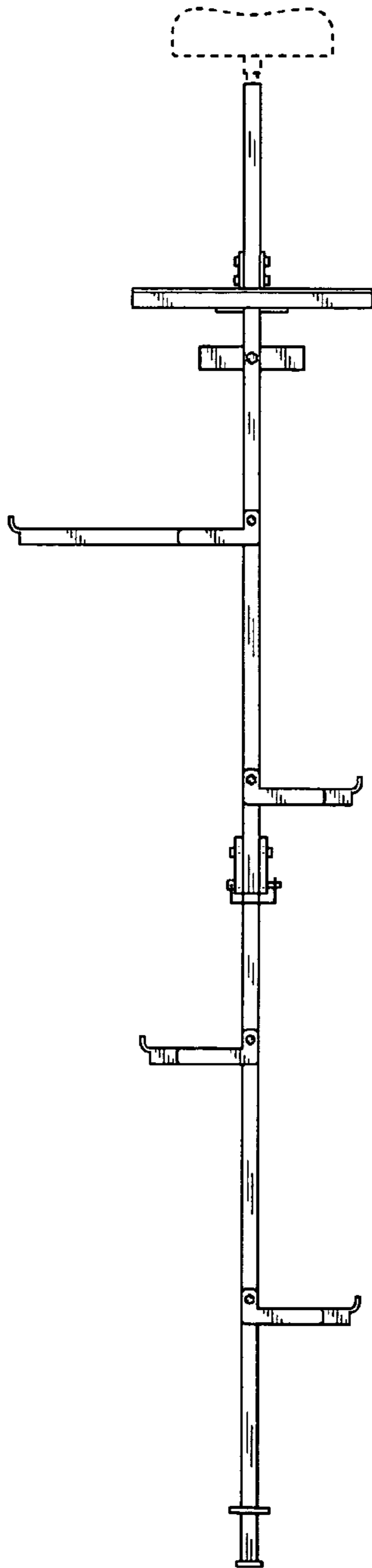


FIG. 2

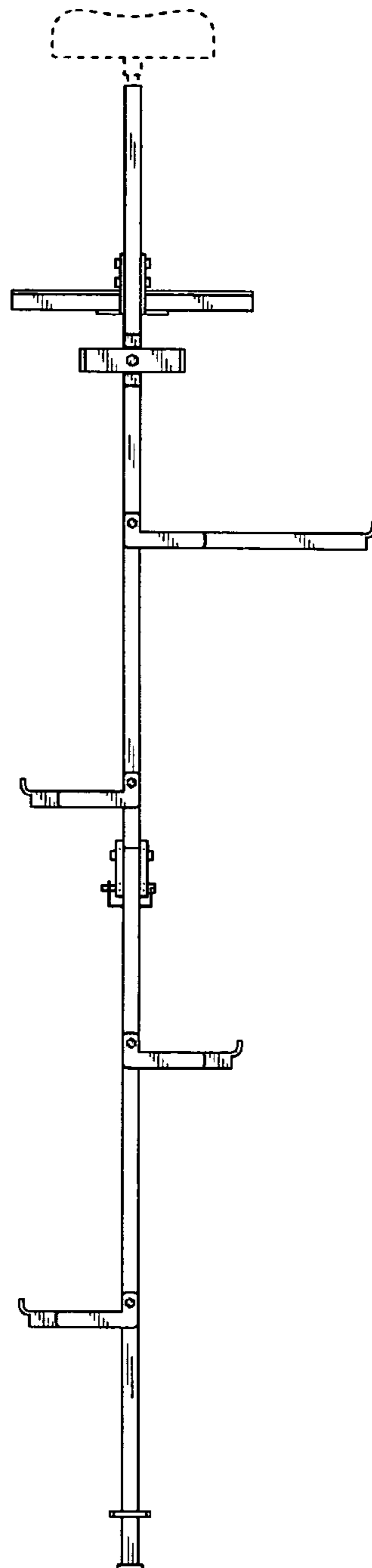


FIG. 3

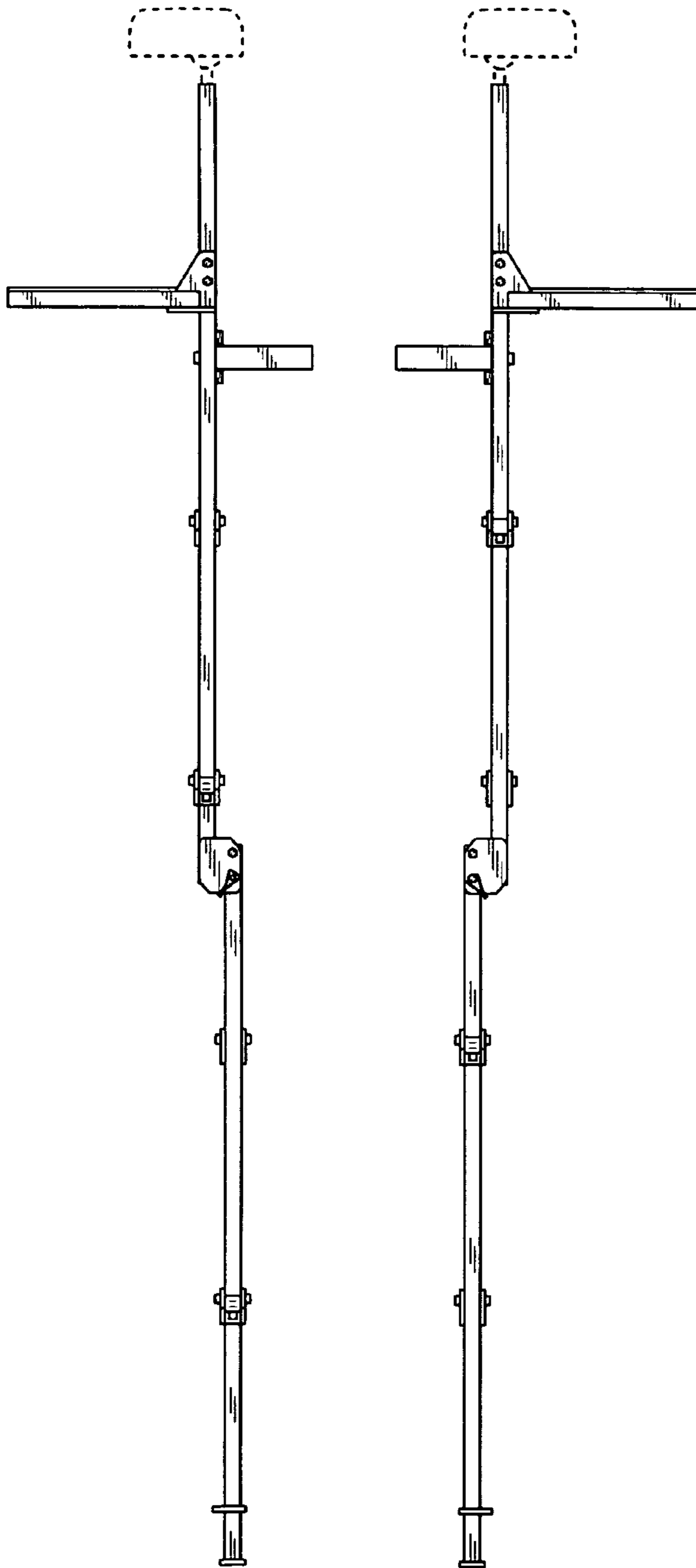


FIG. 4

FIG. 5

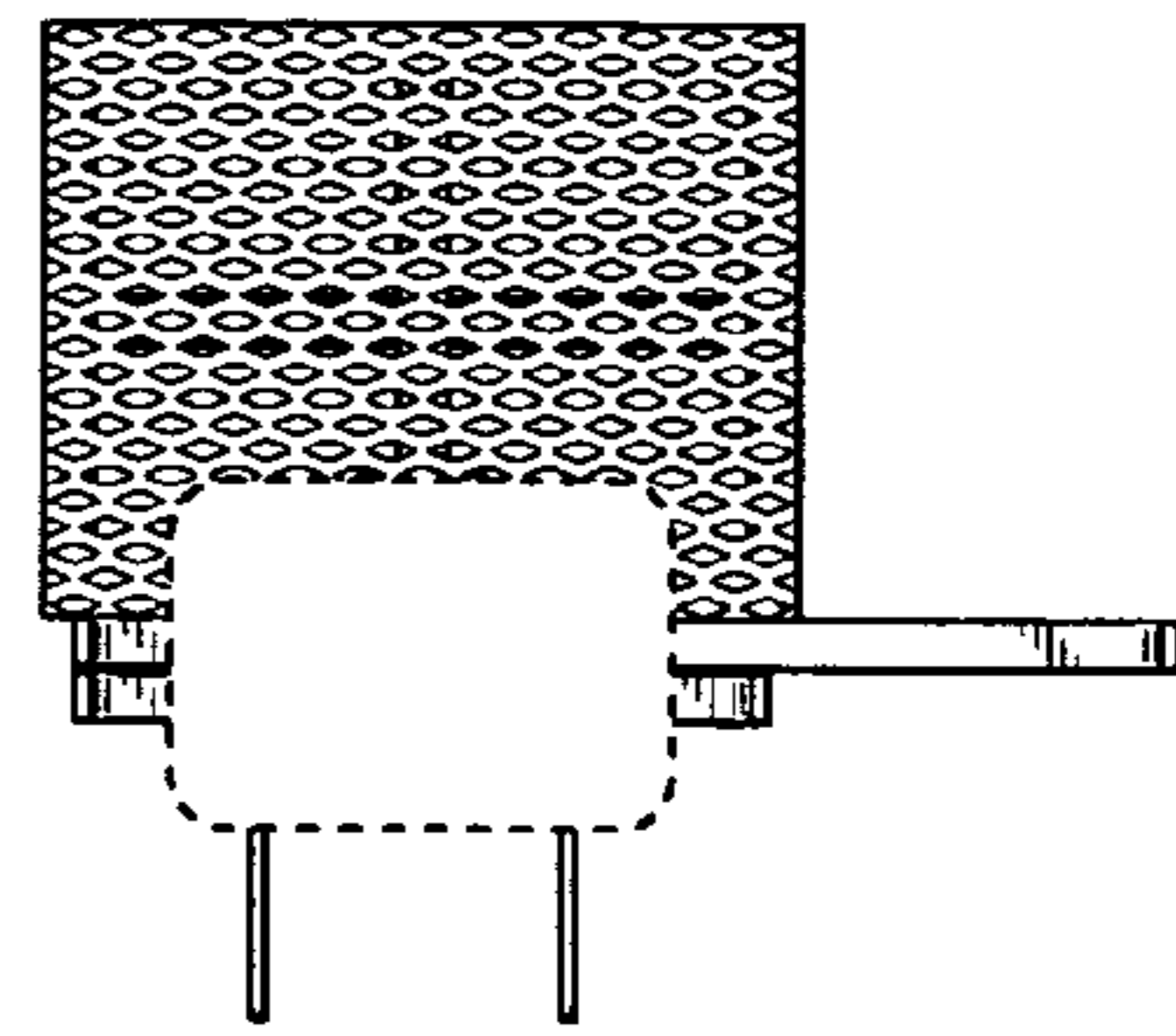


FIG. 6

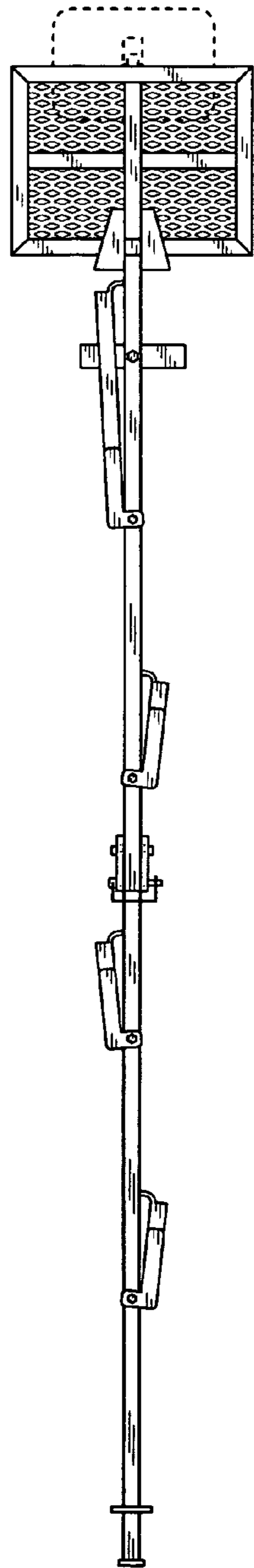


FIG. 7

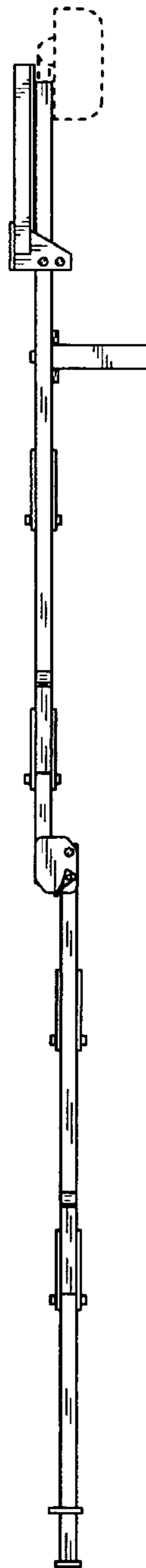


FIG. 8

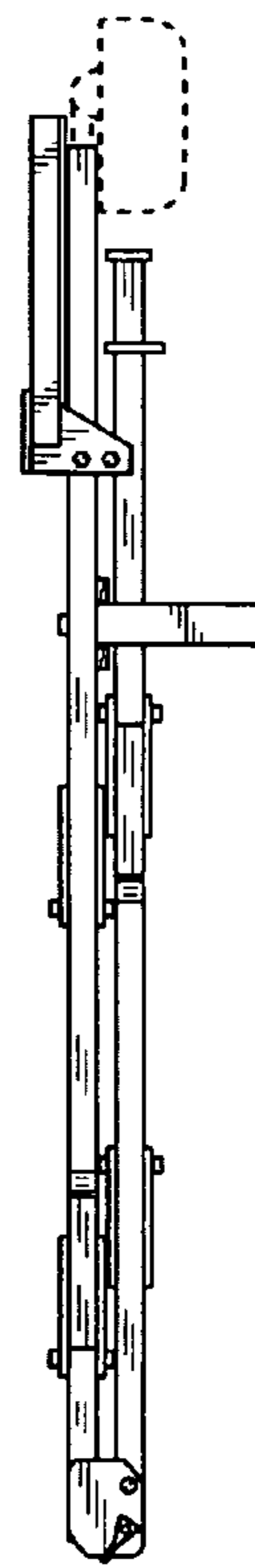


FIG. 9