



US00D642398S

(12) **United States Design Patent**  
**Killian**

(10) **Patent No.:** **US D642,398 S**

(45) **Date of Patent:** **\*\* Aug. 2, 2011**

(54) **BED**

(75) **Inventor:** **Leslie Deames Killian**, Hickory, NC (US)

(73) **Assignee:** **Broyhill Furniture Industries, Inc.**, Lenoir, NC (US)

(\*\*) **Term:** **14 Years**

(21) **Appl. No.:** **29/348,307**

(22) **Filed:** **Dec. 18, 2009**

(51) **LOC (9) Cl.** ..... **06-02**

(52) **U.S. Cl.** ..... **D6/393**

(58) **Field of Classification Search** ..... D6/383, D6/388, 392-395, 505-508, 492, 494; 5/53.1, 5/907, 279.1, 280, 281, 2.1, 600, 612, 620  
See application file for complete search history.

(56) **References Cited**

**U.S. PATENT DOCUMENTS**

D466,329 S *	12/2002	Risdon .....	D6/393
D475,862 S *	6/2003	McDaniel et al. ....	D6/393
D568,075 S *	5/2008	Schmitt .....	D6/505
D589,717 S *	4/2009	Domack et al. ....	D6/393

**OTHER PUBLICATIONS**

Color Photograph of bed shown in catalog (source unknown); Apr. 2008.

\* cited by examiner

*Primary Examiner* — Janice Seeger

(74) *Attorney, Agent, or Firm* — Kilpatrick Townsend & Stockton LLP

(57) **CLAIM**

The ornamental design for a bed, as shown and described.

**DESCRIPTION**

FIG. 1 is a perspective view of a bed, showing my new design. FIG. 2 is a front view of the bed of FIG. 1.

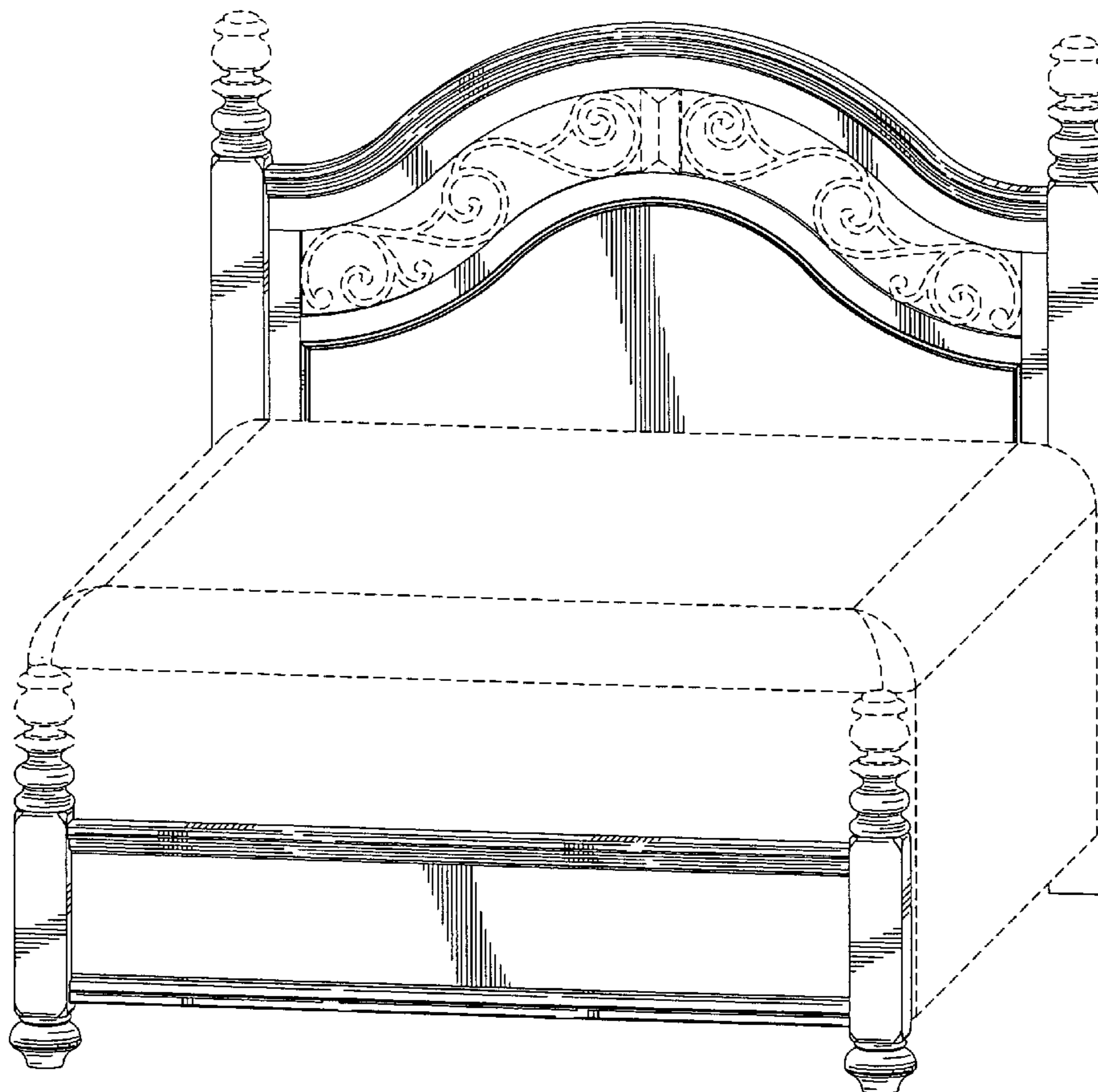
FIG. 3 is a left side elevation view of the bed of FIG. 1, the right side elevation view being a mirror image of the left side elevation view.

FIG. 4 is a top view of the bed of FIG. 1; and,

FIG. 5 is a perspective view of a bed showing an alternate embodiment of my new design.

In the drawings, the broken lines form no part of the claimed design.

**1 Claim, 5 Drawing Sheets**



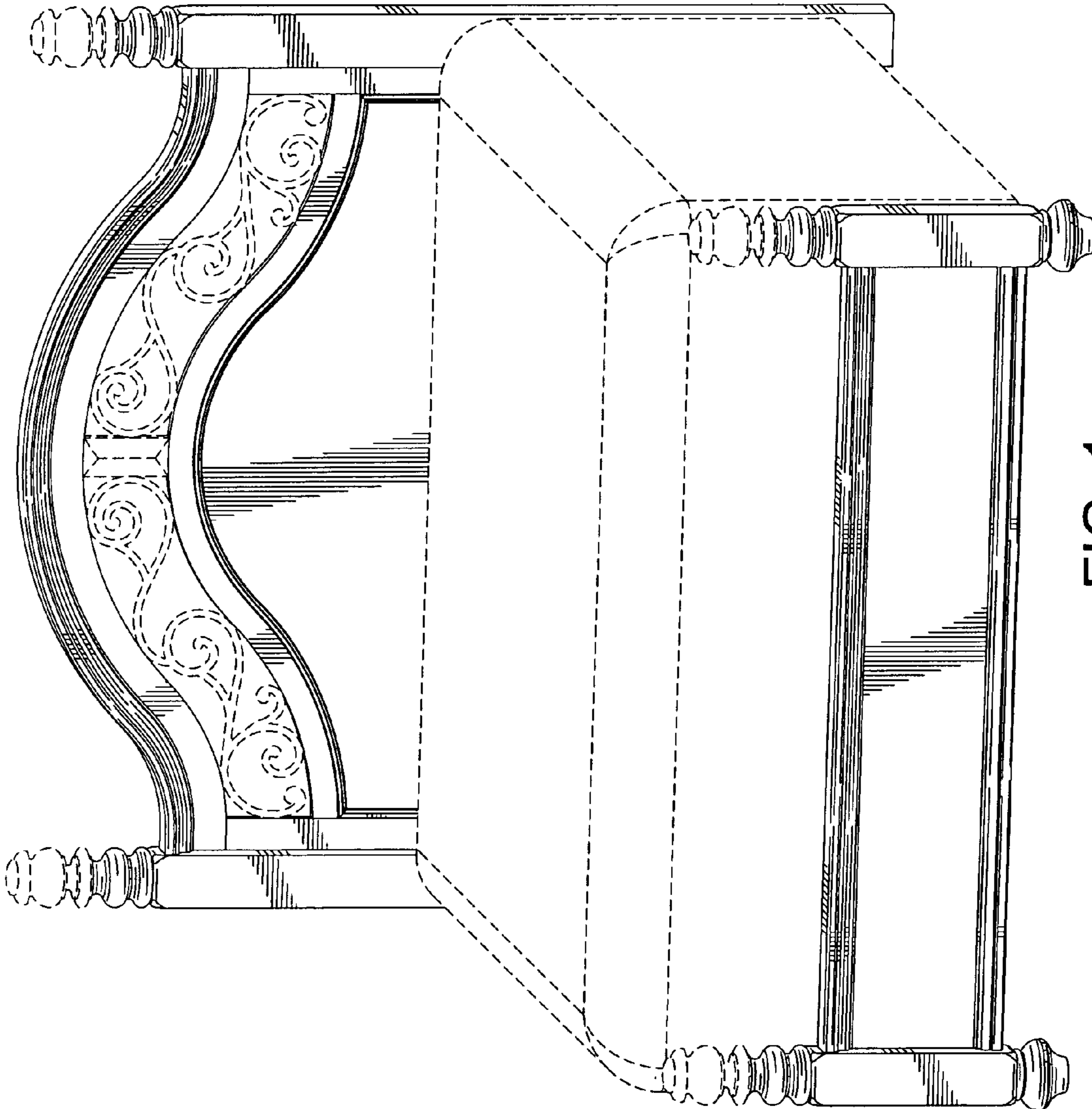


FIG. 1

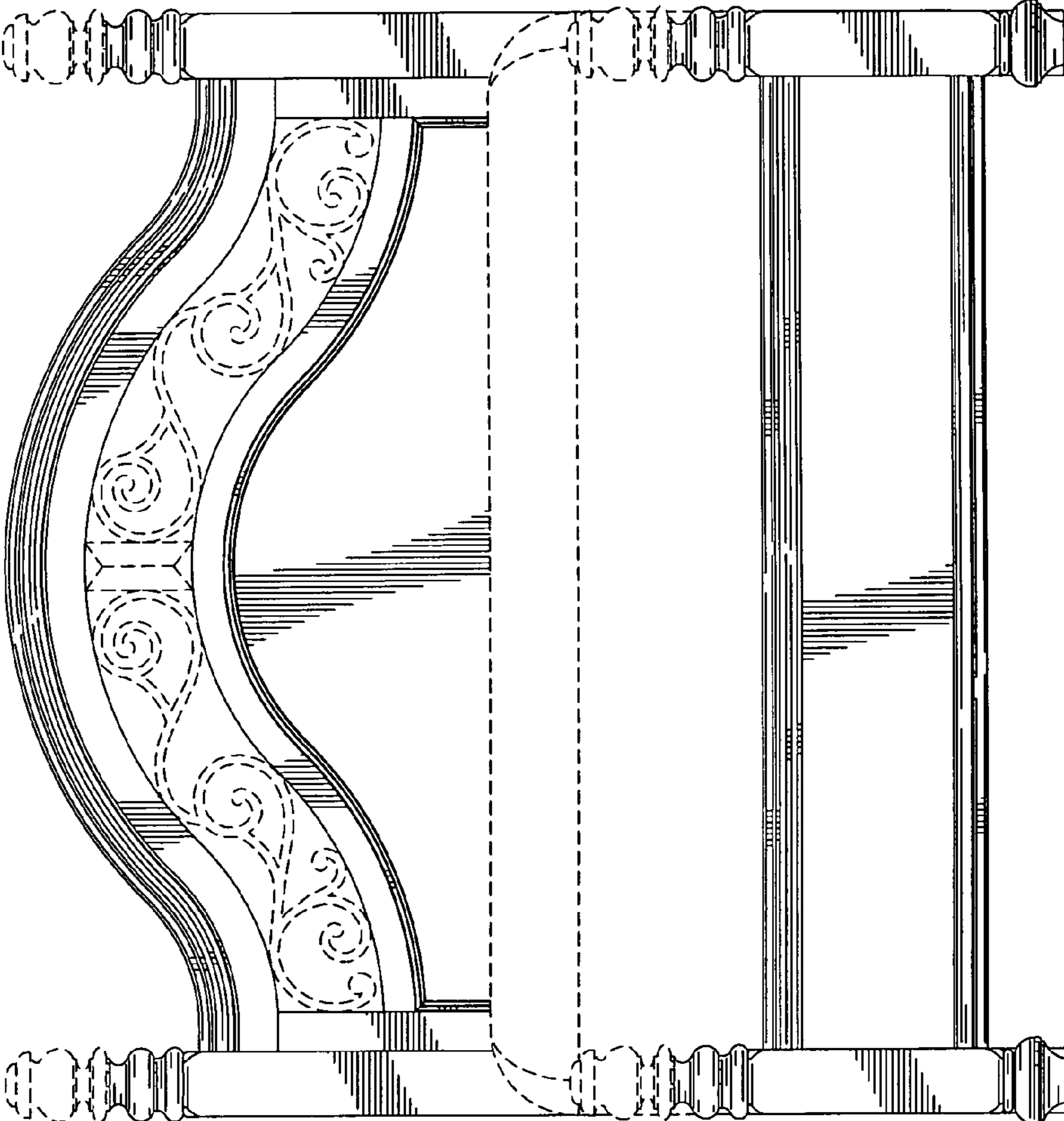


FIG. 2

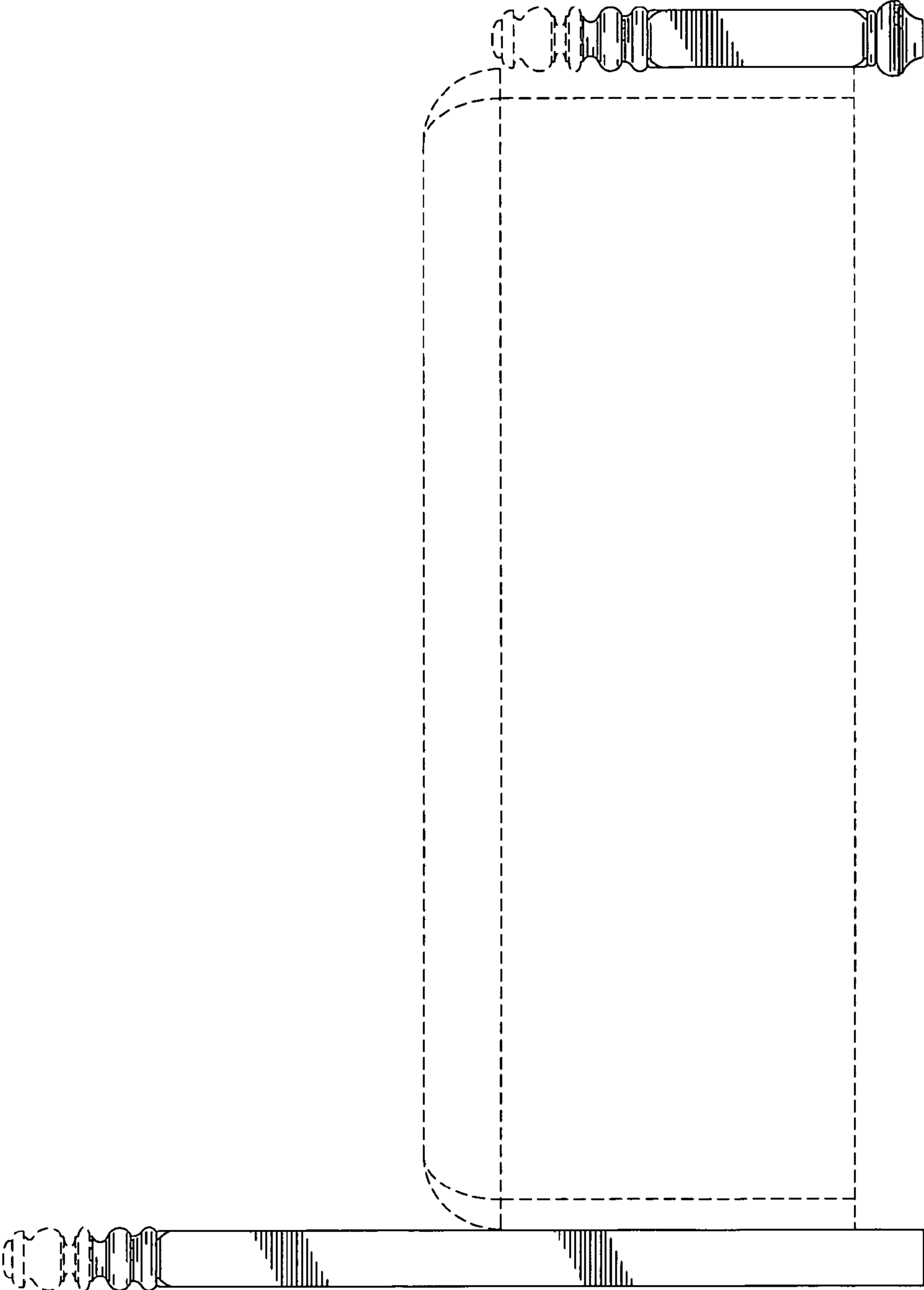


FIG. 3

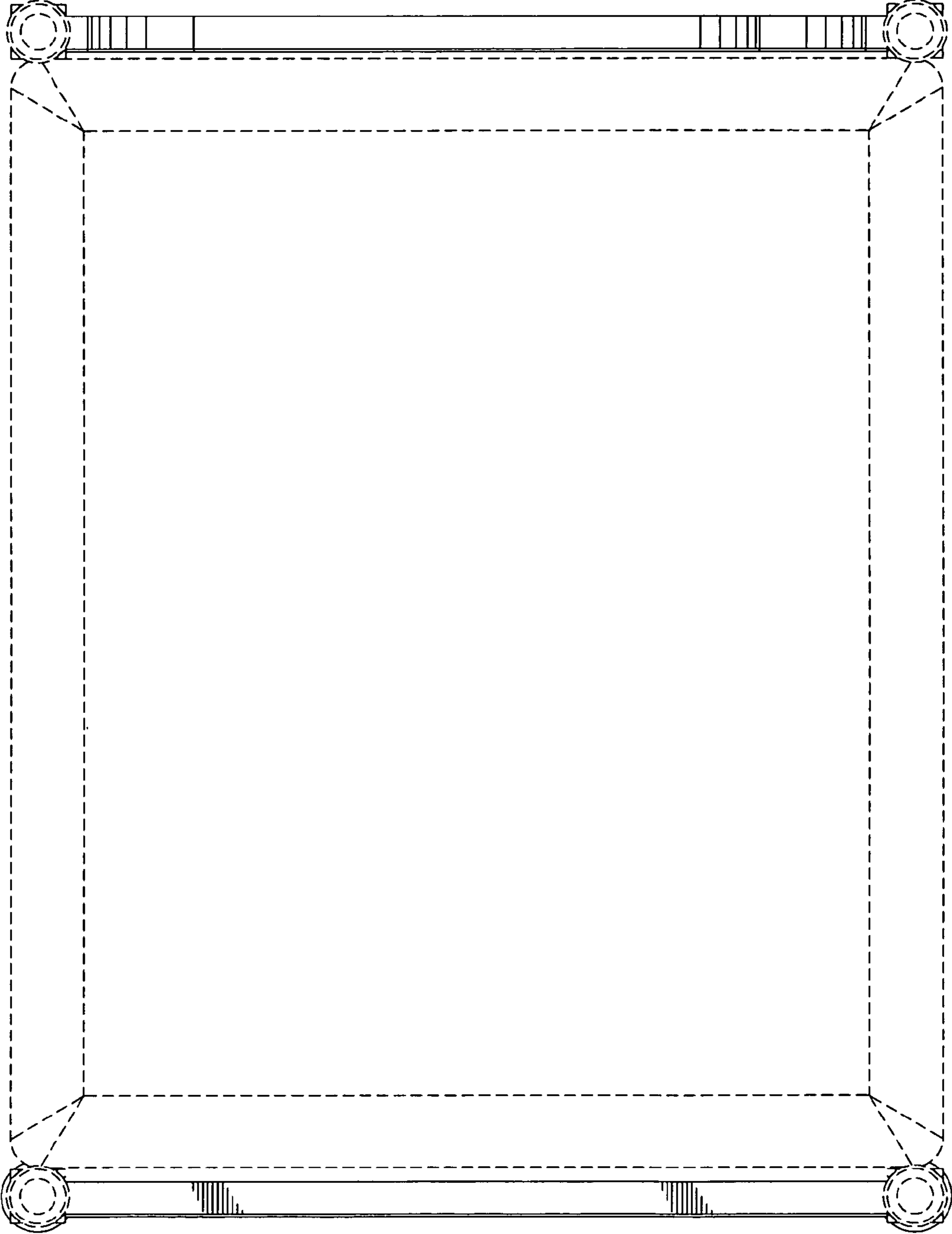


FIG. 4



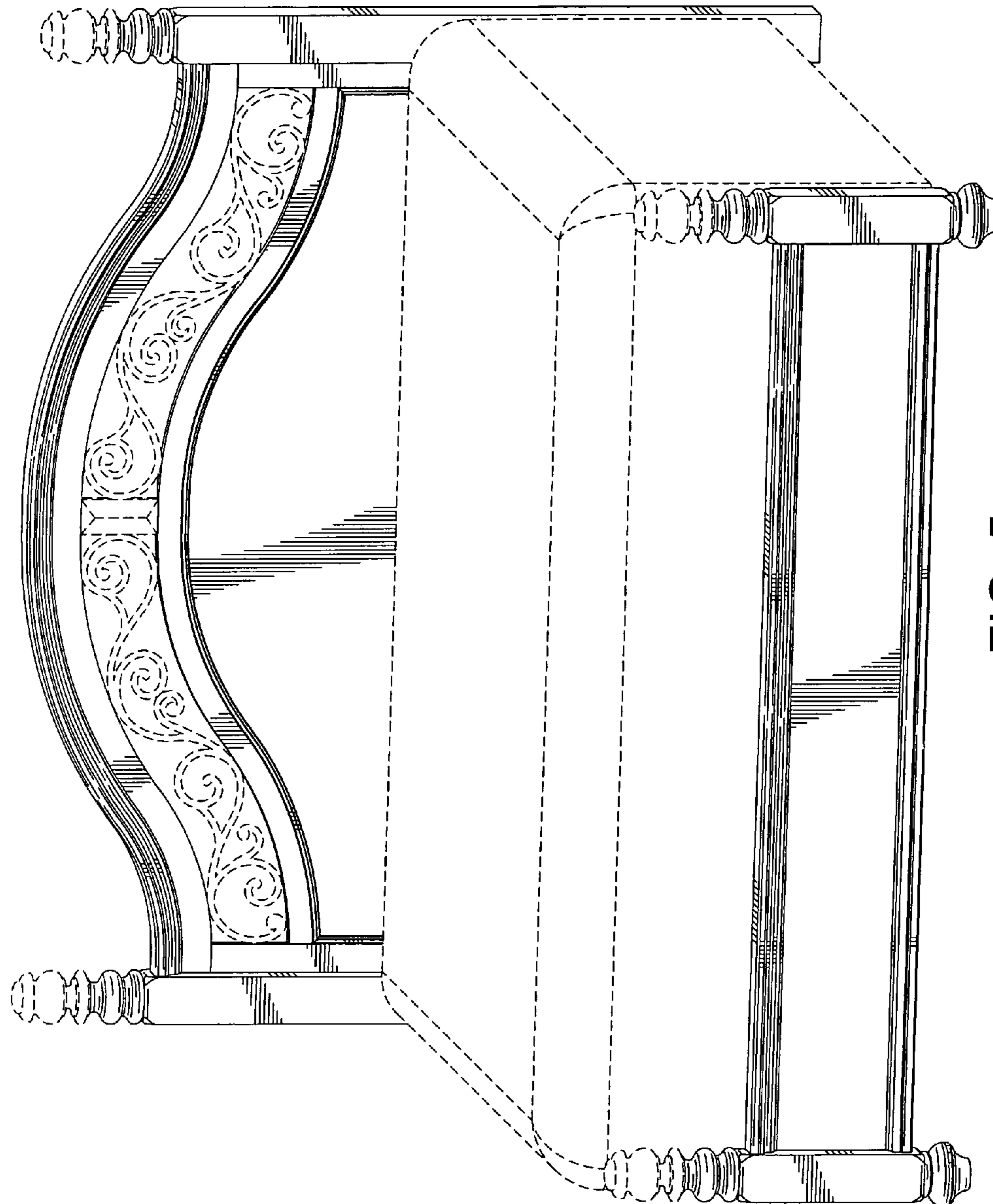


FIG. 5