



US00D642390S

(12) **United States Design Patent**  
**West**

(10) **Patent No.:** **US D642,390 S**

(45) **Date of Patent:** **\*\* Aug. 2, 2011**

(54) **BARRIER STRUCTURE**

(75) Inventor: **Colin Campbell West**, Stuart Park (AU)

(73) Assignee: **Framelock Structures Pty Ltd.**, Stuart Park (AU)

(\*\*) Term: **14 Years**

(21) Appl. No.: **29/317,096**

(22) Filed: **Apr. 22, 2008**

(30) **Foreign Application Priority Data**

Oct. 22, 2007 (AU) ..... 20368/2007  
Oct. 22, 2007 (AU) ..... 20369/2007

(51) **LOC (9) Cl.** ..... **06-01**

(52) **U.S. Cl.** ..... **D6/332**

(58) **Field of Classification Search** ..... D6/332,  
D6/396, 397, 449, 509, 432; D25/48, 58;  
312/3-6, 195, 210, 265.4; 160/130, 131,  
160/167 V, 215, 236; 211/180; D20/10,  
D20/39, 41; D14/307; 108/152

See application file for complete search history.

(56) **References Cited**

U.S. PATENT DOCUMENTS

D135,362 S \* 3/1943 Myers ..... D25/58  
2,636,224 A \* 4/1953 Murdoch et al. .... 52/36.1  
D223,195 S \* 3/1972 Young ..... D23/305  
D279,201 S \* 6/1985 Shuman ..... D20/43  
5,255,803 A \* 10/1993 Pavone et al. .... 211/189  
5,605,238 A \* 2/1997 Jacobs ..... 211/90.01  
5,607,070 A \* 3/1997 Hellyer ..... 211/189  
D397,562 S \* 9/1998 DePottay et al. .... D6/468  
D422,796 S \* 4/2000 Milligan et al. .... D6/332  
6,260,489 B1 \* 7/2001 Weaver et al. .... 108/152

D481,466 S \* 10/2003 Mueller et al. .... D25/58  
6,658,805 B1 \* 12/2003 Yu et al. .... 52/239  
7,051,482 B2 \* 5/2006 MacDonald et al. .... 52/239  
D532,118 S \* 11/2006 Reese ..... D25/65  
7,210,277 B2 \* 5/2007 Steed et al. .... 52/782.1  
D559,565 S \* 1/2008 Bakker et al. .... D6/332  
D583,591 S \* 12/2008 Jung et al. .... D6/494  
7,654,060 B2 \* 2/2010 Steed et al. .... 52/782.1

\* cited by examiner

*Primary Examiner* — Sandra Snapp

(74) *Attorney, Agent, or Firm* — Rothwell, Figg, Ernst & Manbeck, P.C.

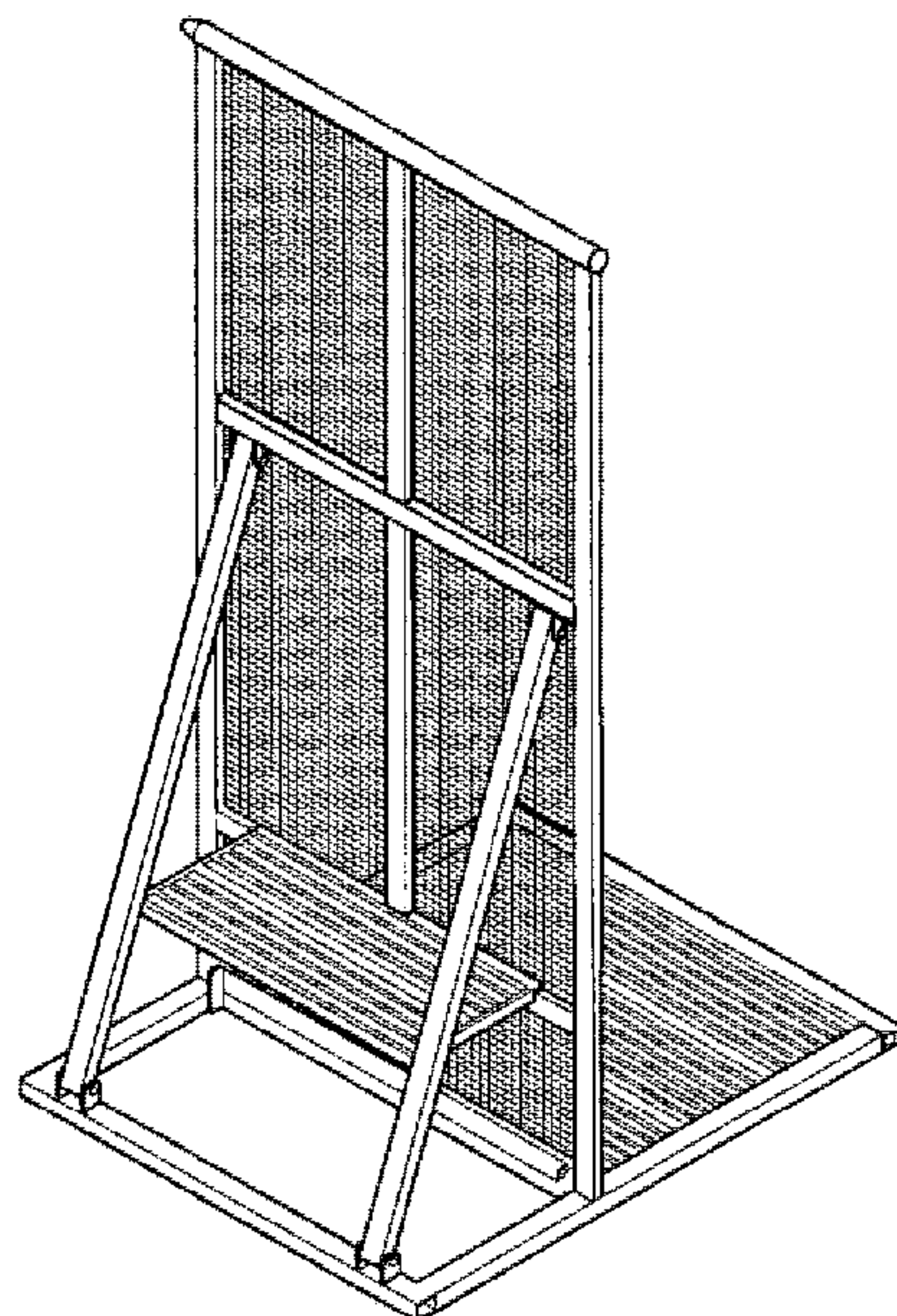
(57) **CLAIM**

The ornamental design for a barrier structure, as shown and described.

**DESCRIPTION**

FIG. 1 shows a rear perspective view of the first embodiment; FIG. 2 shows a front perspective view thereof; FIG. 3 shows a plan view thereof; FIG. 4 shows a front view thereof; FIG. 5 shows a side view thereof; FIG. 6 shows a rear view thereof; FIG. 7 shows a collapsed plan view of a second embodiment; FIG. 8 shows a collapsed perspective view of the second embodiment; FIG. 9 shows a collapsed end view of the second embodiment; FIG. 10 shows a collapsed side view of the second embodiment; FIG. 11 shows a rear perspective view of the second embodiment; and, FIG. 12 shows a front perspective view of the second embodiment.

**1 Claim, 5 Drawing Sheets**





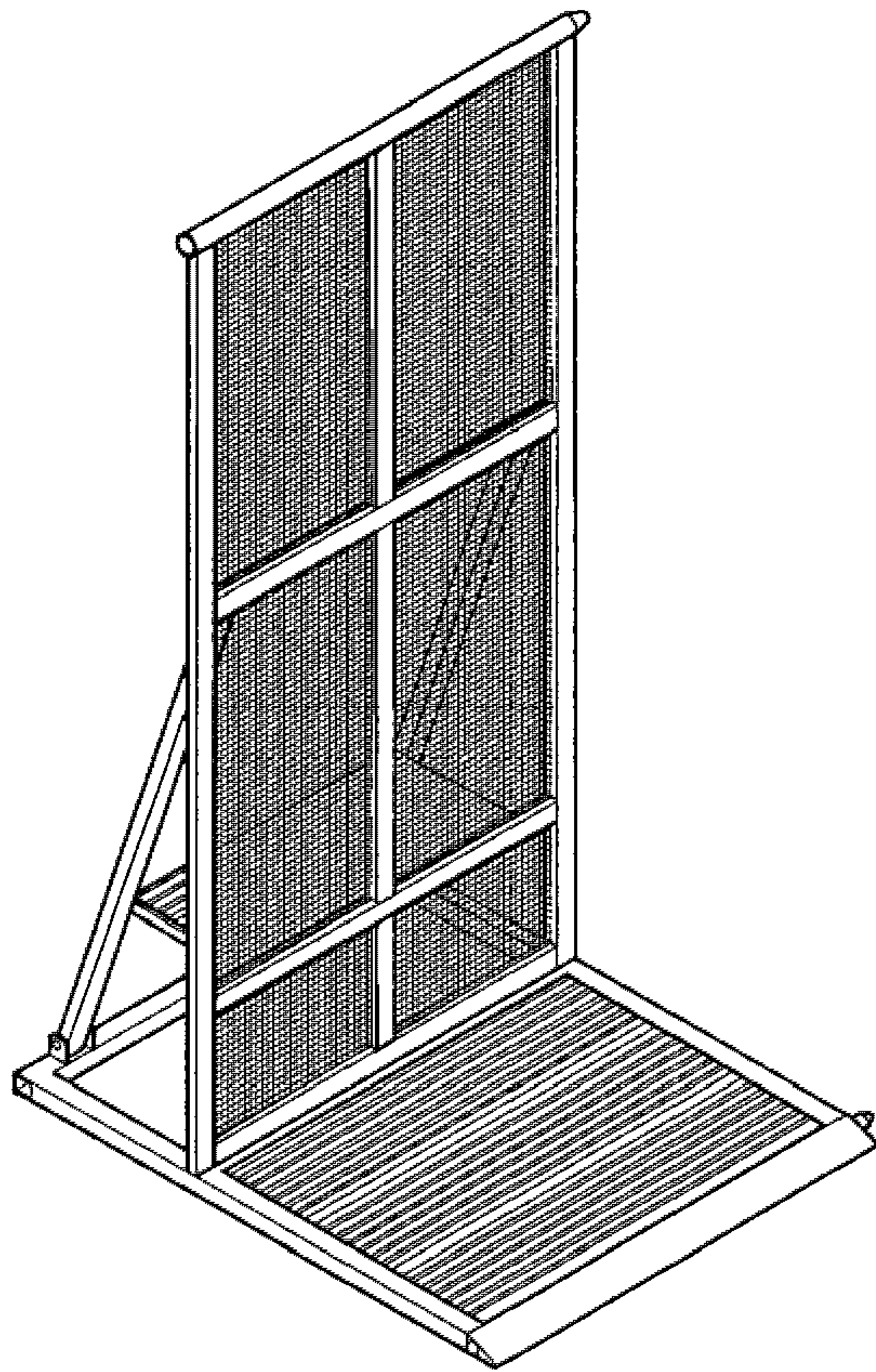


FIG 2

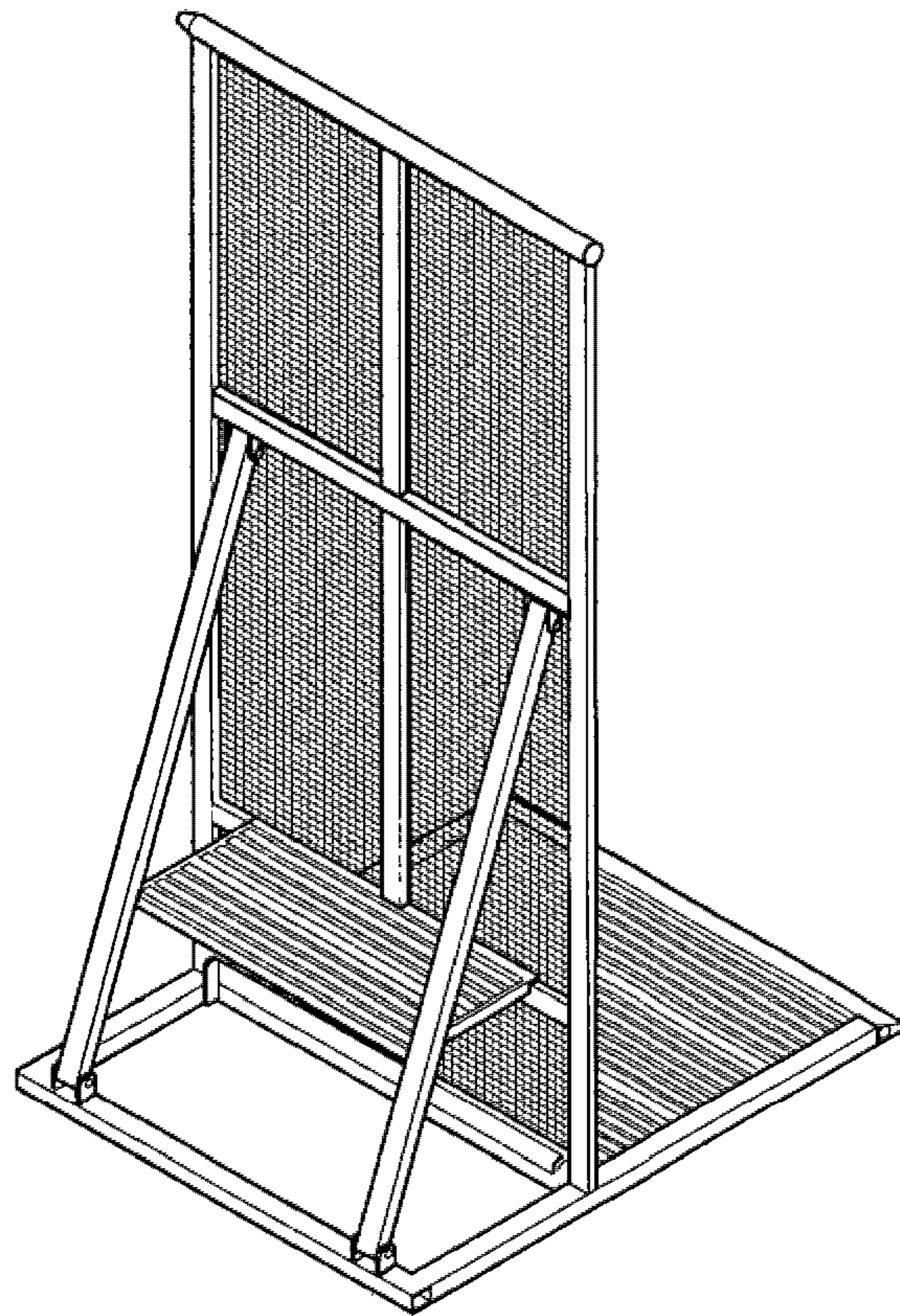


FIG 1

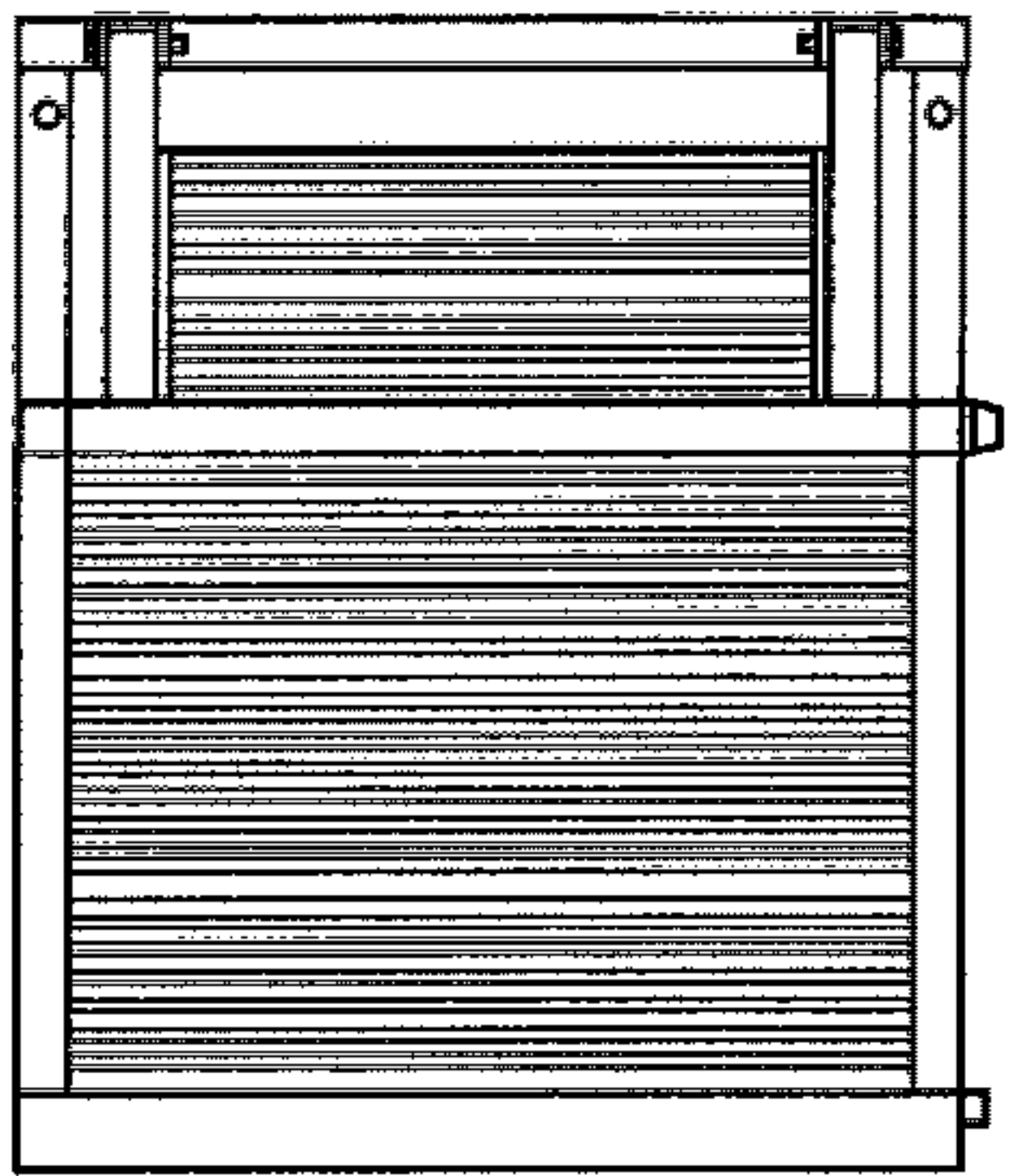


FIG 3

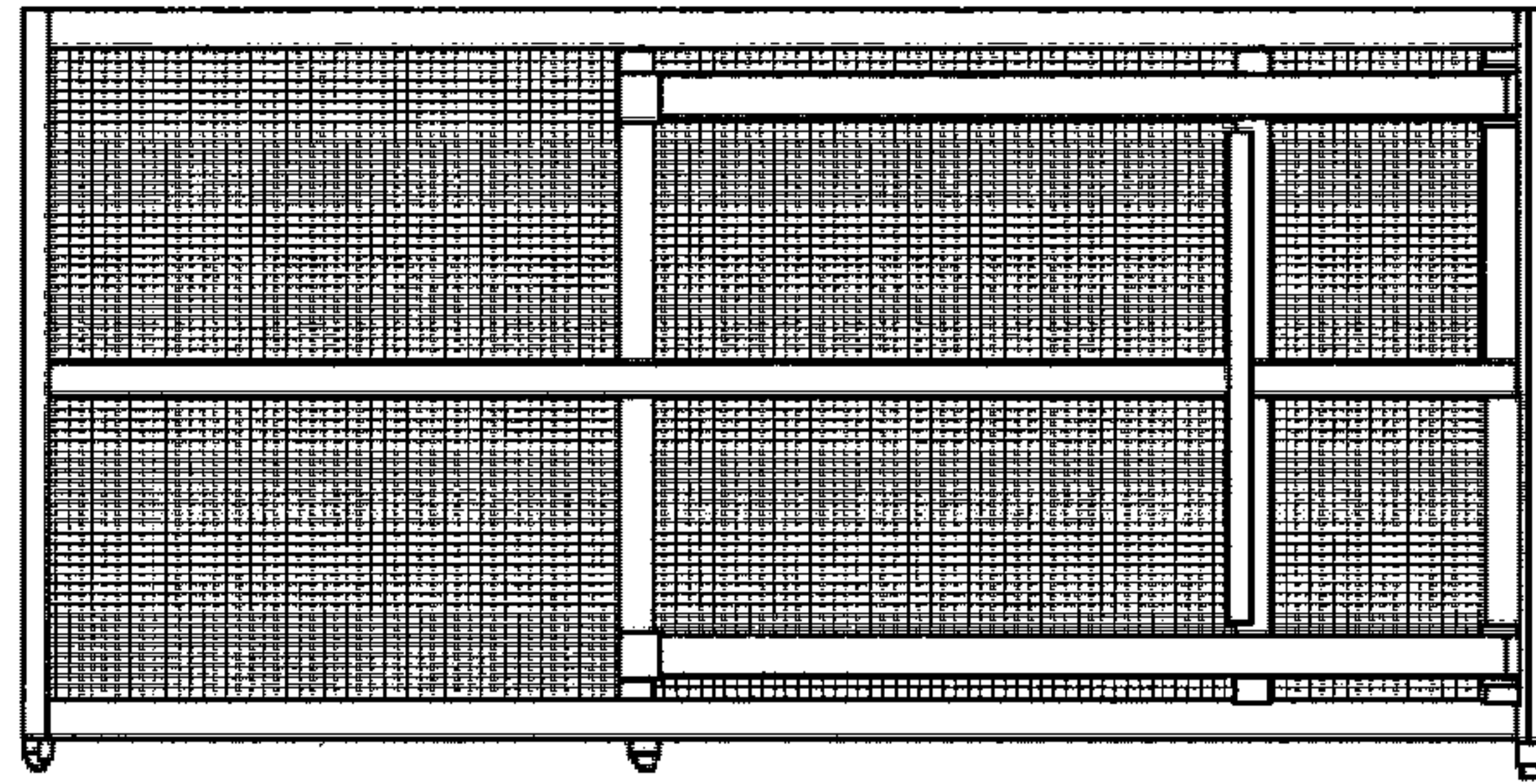


FIG 6

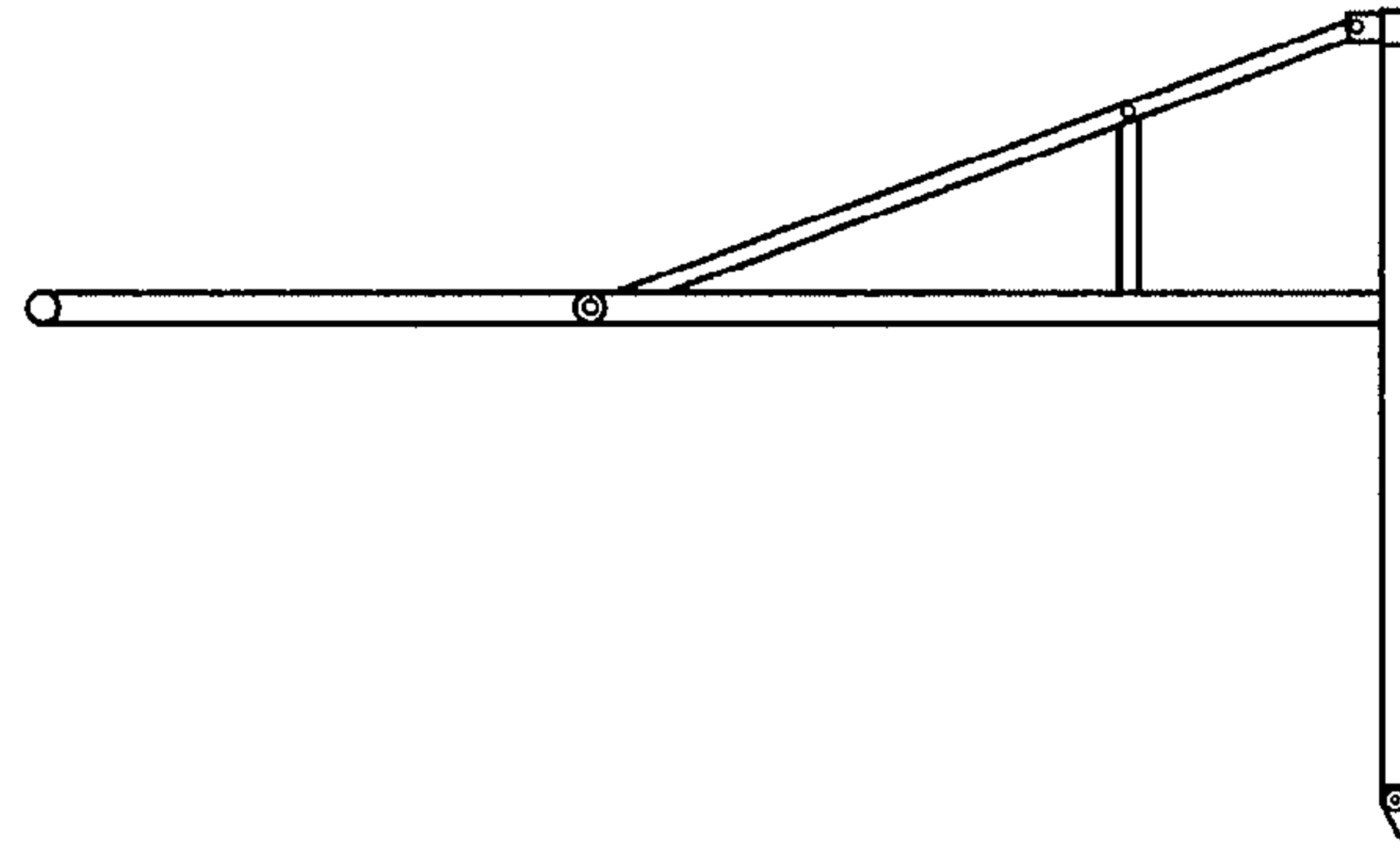


FIG 5

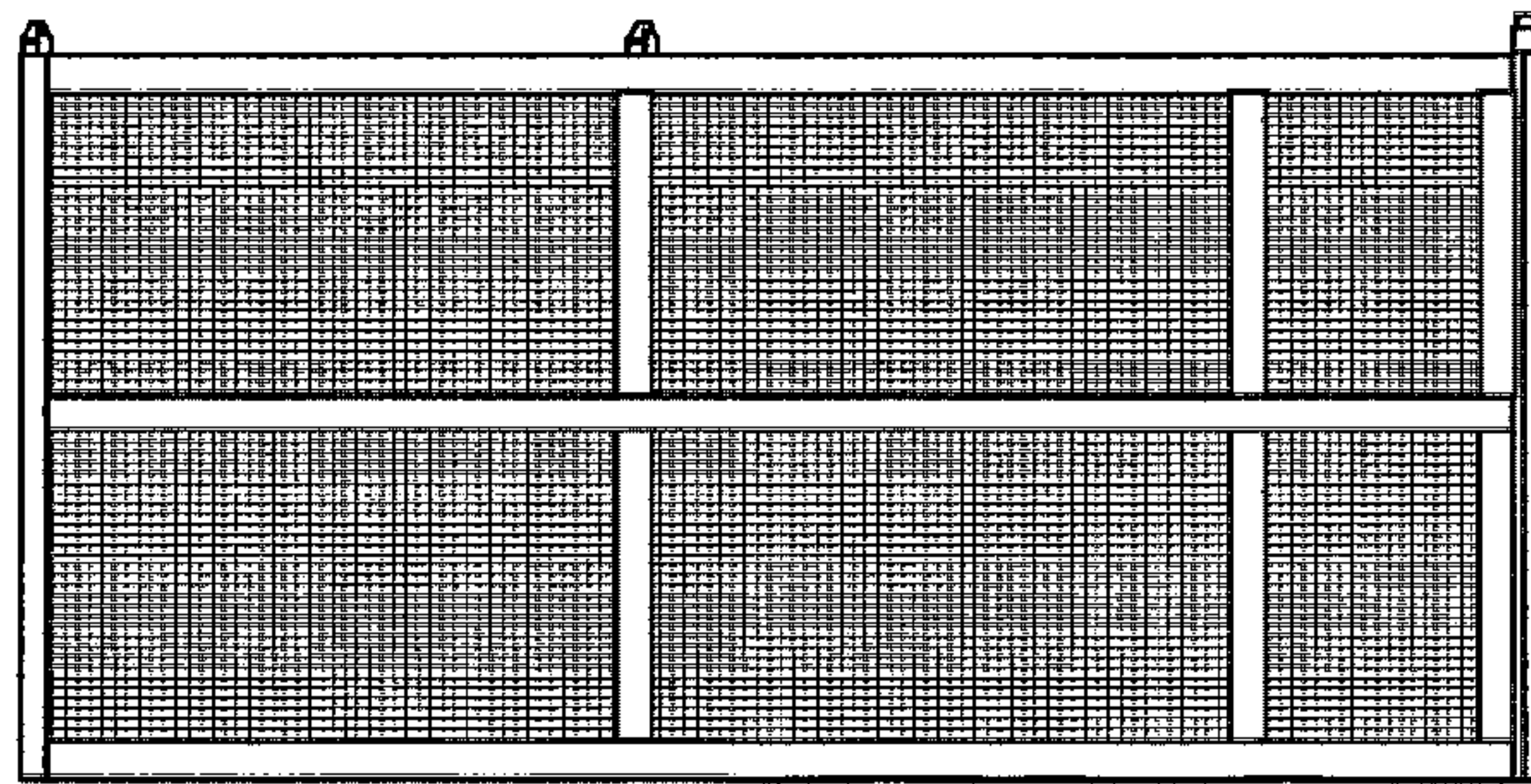


FIG 4



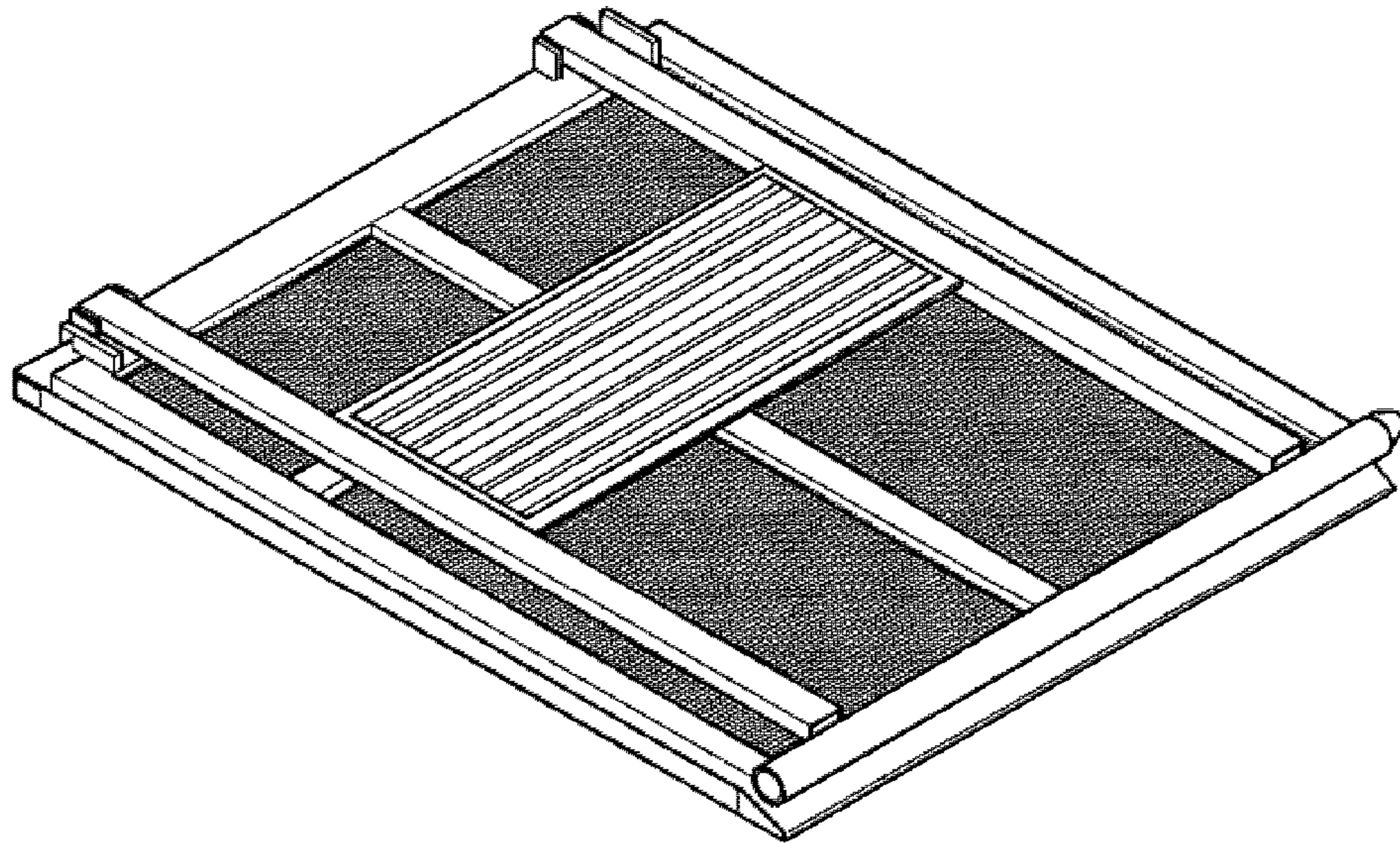


FIG 8

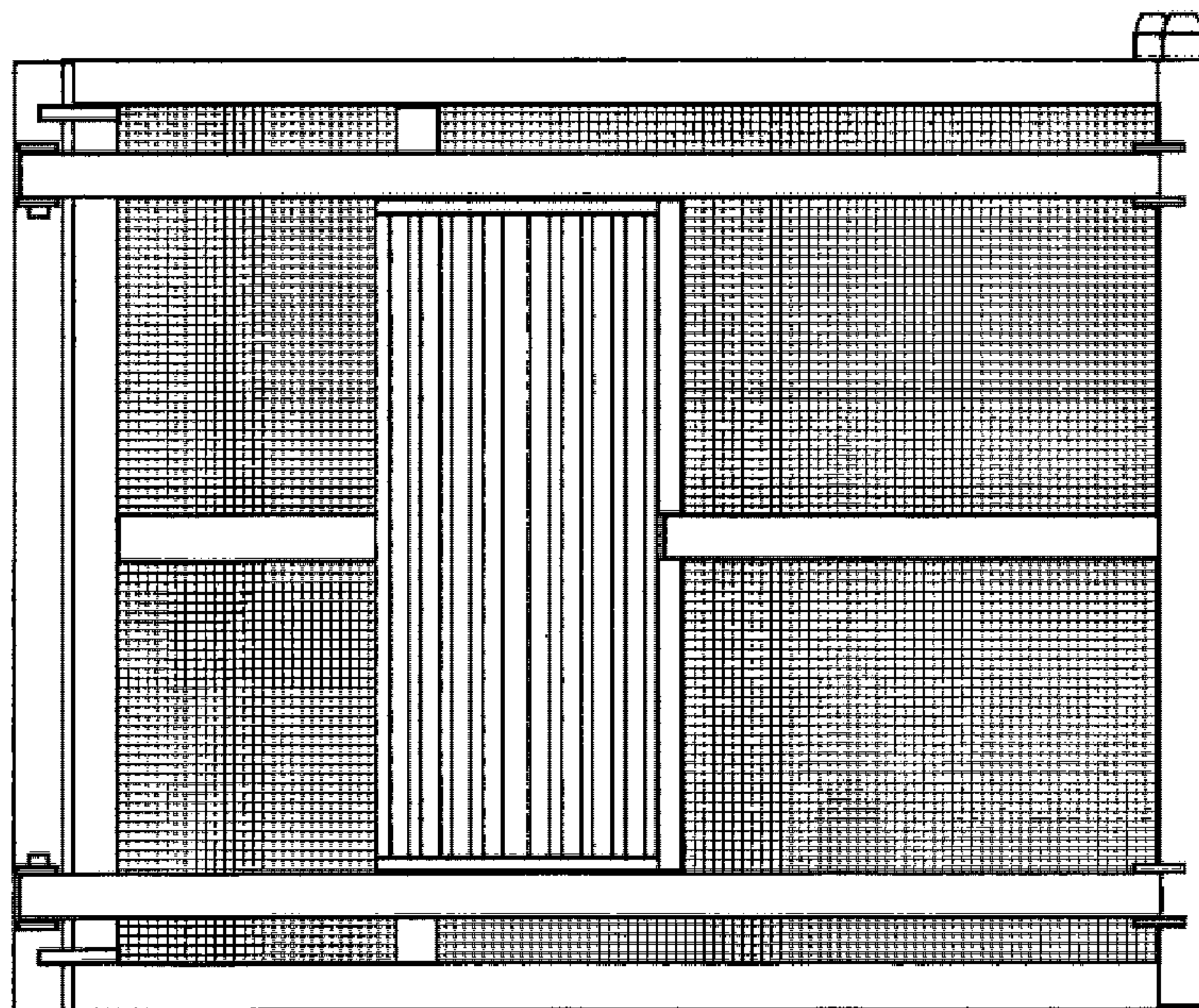


FIG 7



FIG 10

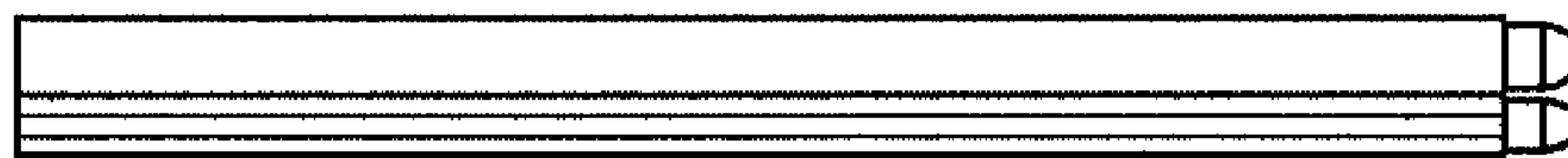


FIG 9



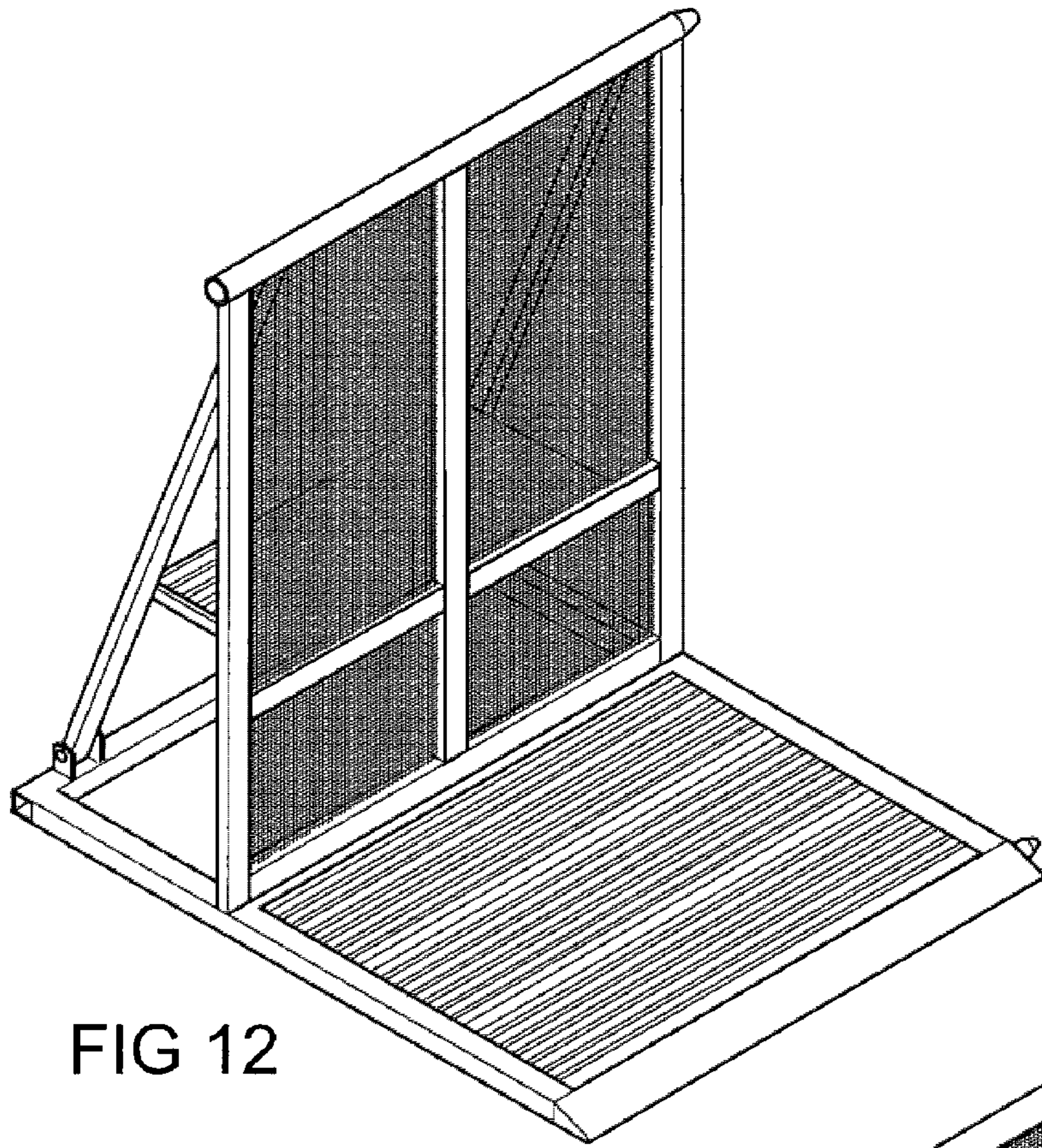


FIG 12

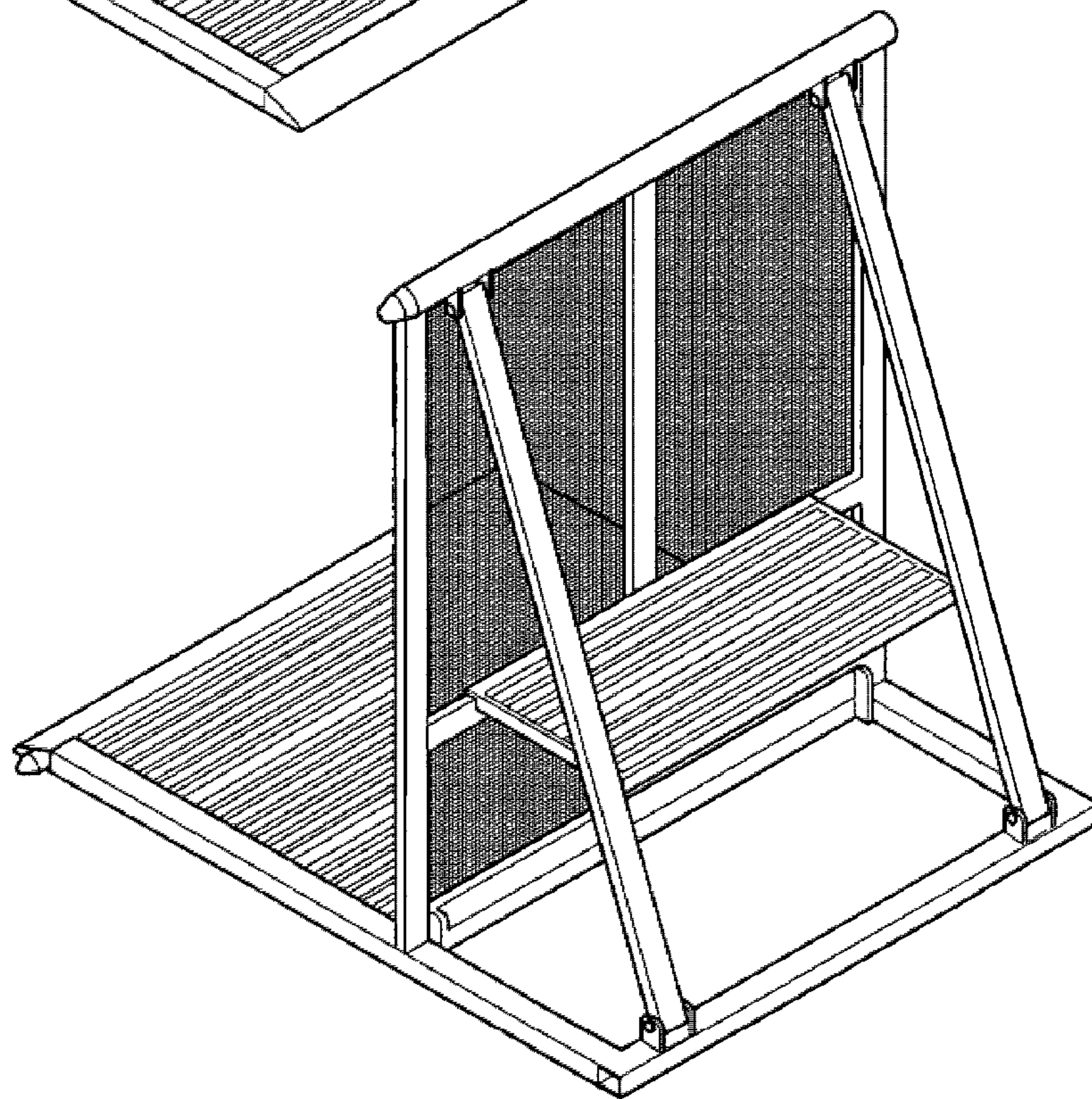


FIG 11