



US00D642386S

(12) **United States Design Patent**
Sultan

(10) **Patent No.:** **US D642,386 S**

(45) **Date of Patent:** **** Aug. 2, 2011**

(54) **LINGERIE HANGER**

(76) Inventor: **Julie Sultan**, Van Nuys, CA (US)

(**) Term: **14 Years**

(21) Appl. No.: **29/339,260**

(22) Filed: **Jun. 26, 2009**

(51) **LOC (9) Cl.** **06-08**

(52) **U.S. Cl.** **D6/315; D6/327**

(58) **Field of Classification Search** D6/315,
D6/316, 320, 327, 371, 553, 567; 211/13.1,
211/85.3, 86.01, 181.1, 183; 223/85-98;
D9/415; D3/293, 303; 132/286

See application file for complete search history.

(56) **References Cited**

U.S. PATENT DOCUMENTS

D256,636 S *	9/1980	Leishman	D6/315
4,585,127 A *	4/1986	Benedict	211/34
D310,920 S *	10/1990	Eichler	D6/326
D320,502 S *	10/1991	Haines	D3/293
D321,789 S *	11/1991	Martorella	D3/293
D332,697 S *	1/1993	Schildkraut	D3/303
D339,984 S *	10/1993	Cohen	D9/415
5,533,534 A *	7/1996	Cariello et al.	132/286
D416,734 S *	11/1999	Lannon et al.	D6/553
D493,288 S *	7/2004	Van Diepen et al.	D6/315
D529,725 S *	10/2006	Roberson	D6/319
D560,383 S *	1/2008	Woods	D6/371
D613,512 S *	4/2010	Sultan	D6/315

* cited by examiner

Primary Examiner — Shanda C Hill

(74) *Attorney, Agent, or Firm* — Edwin Tarver; Lauson & Tarver LLP

(57) **CLAIM**

The ornamental design for a lingerie hanger, as shown and described.

DESCRIPTION

Portions of the disclosure of this patent document contain material that is subject to copyright protection. The copyright owner has no objection to the facsimile reproduction by anyone of the patent document or the patent disclosure as it appears in the Patent and Trademark Office file or records, but otherwise reserves all copyright rights whatsoever.

FIG. 1 is an exploded perspective view of a lingerie hanging device showing my new design;

FIG. 1 is a first side view thereof;

FIG. 2 is a second side view thereof;

FIG. 3 is a third side view thereof;

FIG. 4 is a fourth side view thereof;

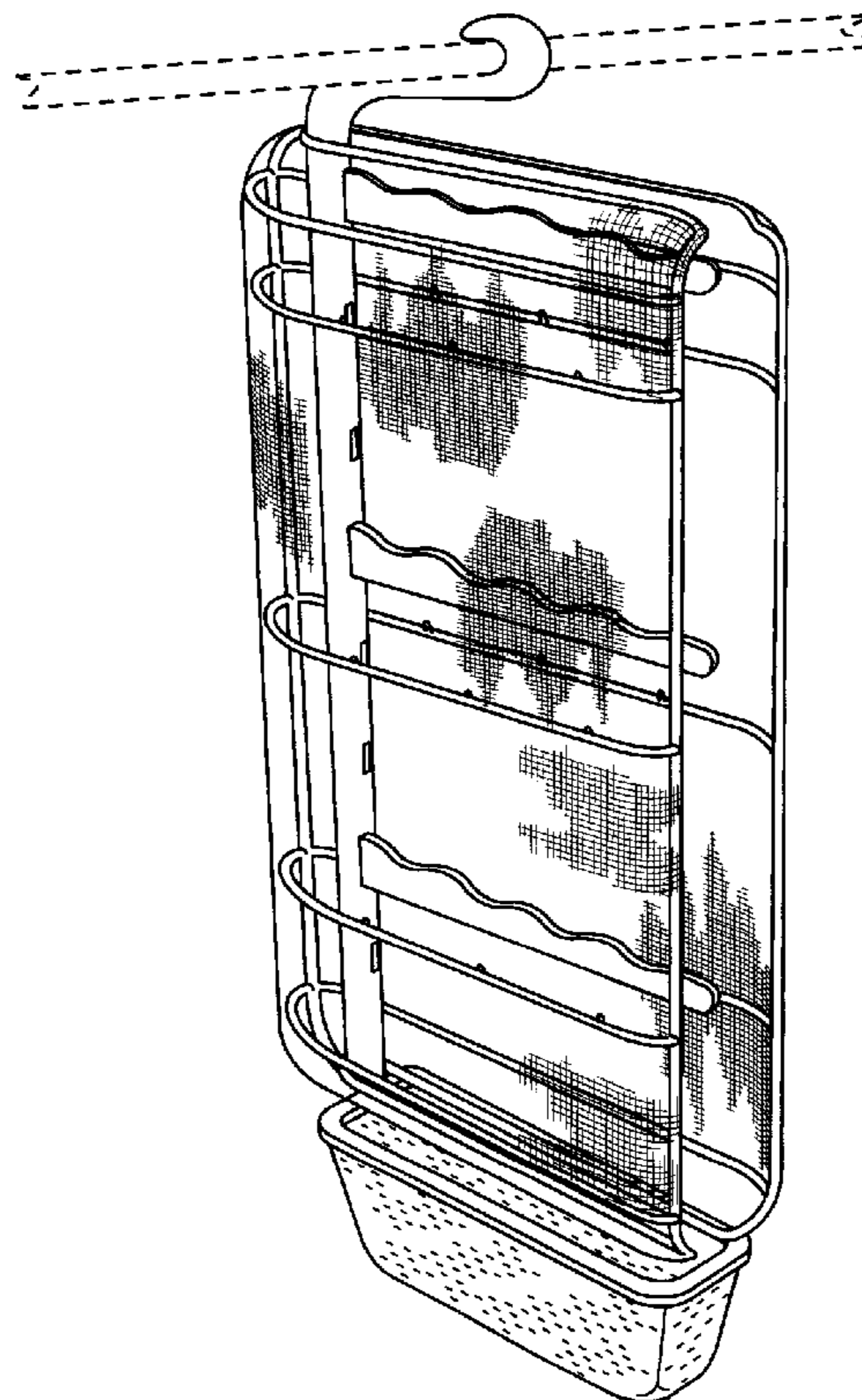
FIG. 5 is a fifth side view thereof;

FIG. 6 is a top view thereof; and,

FIG. 7 is a bottom view thereof.

The broken lines shown in the drawing disclosure are for illustrative purposes only and form no part of the claimed design.

1 Claim, 4 Drawing Sheets



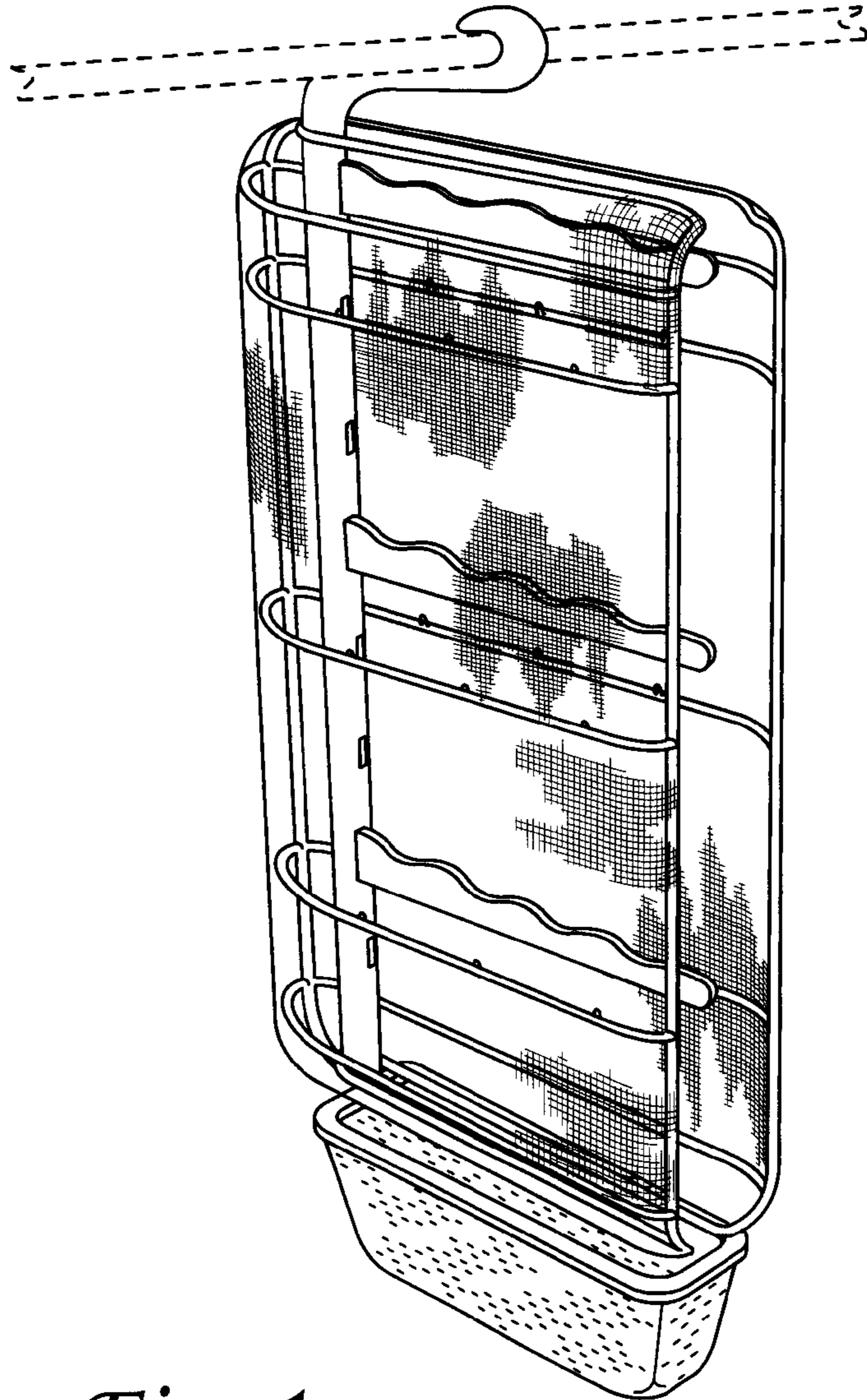


Fig. 1

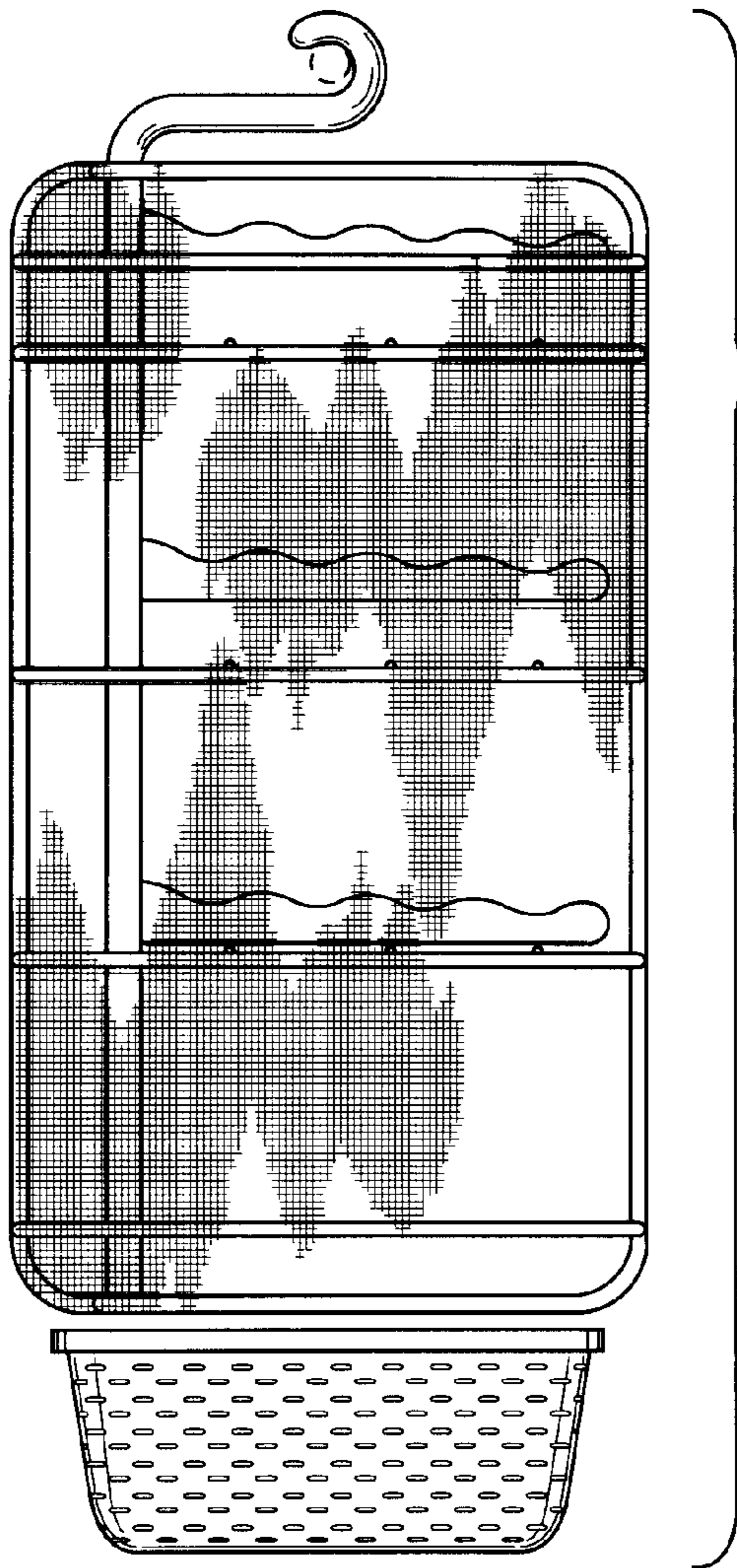


Fig. 2

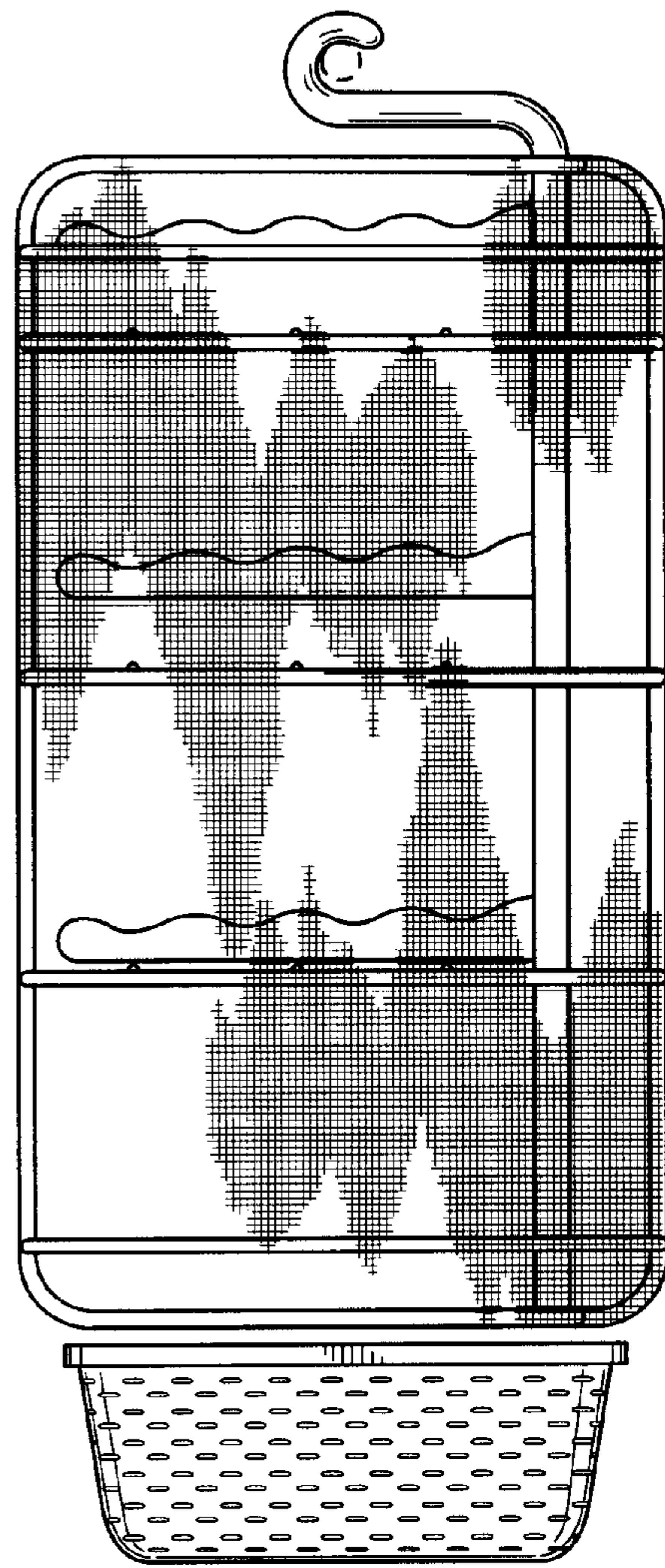


Fig. 3

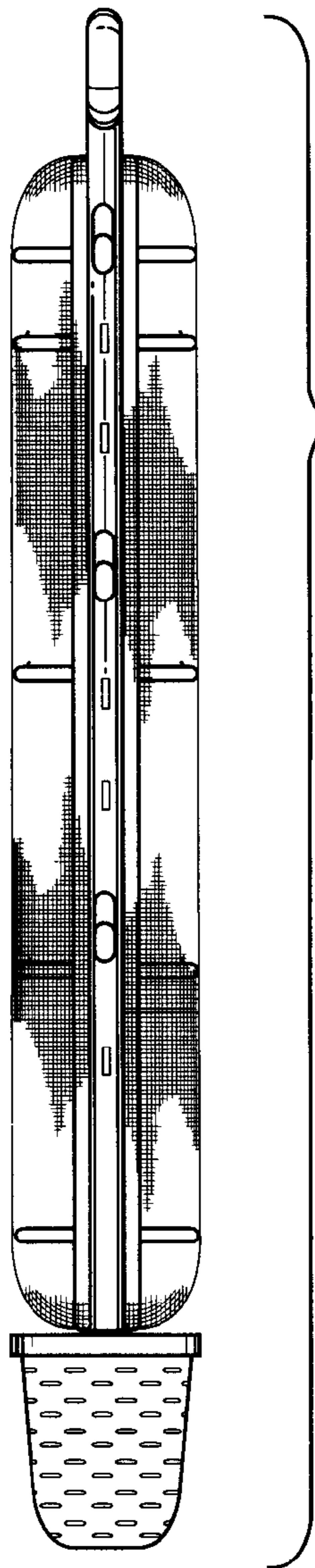


Fig. 4

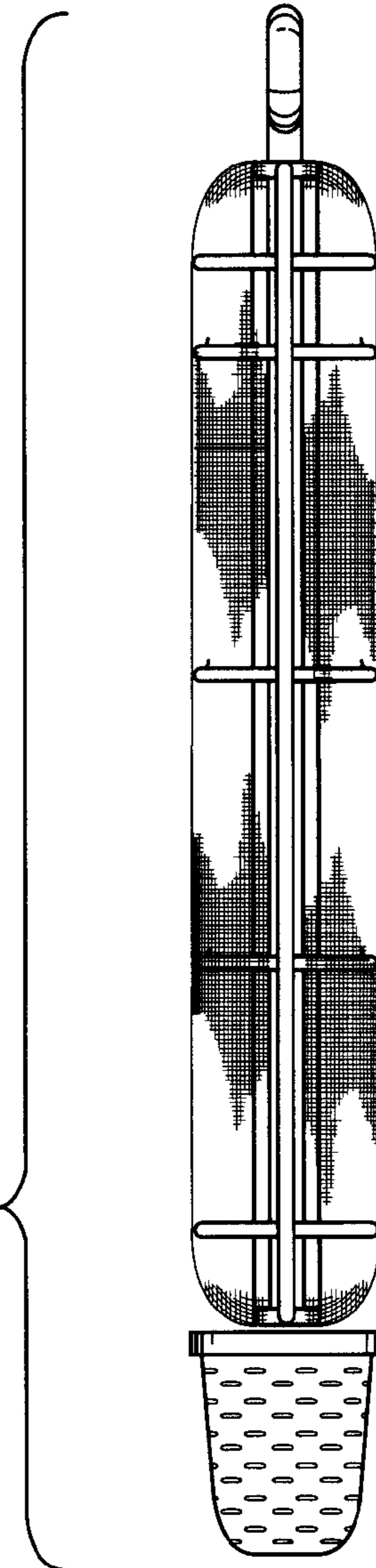


Fig. 5

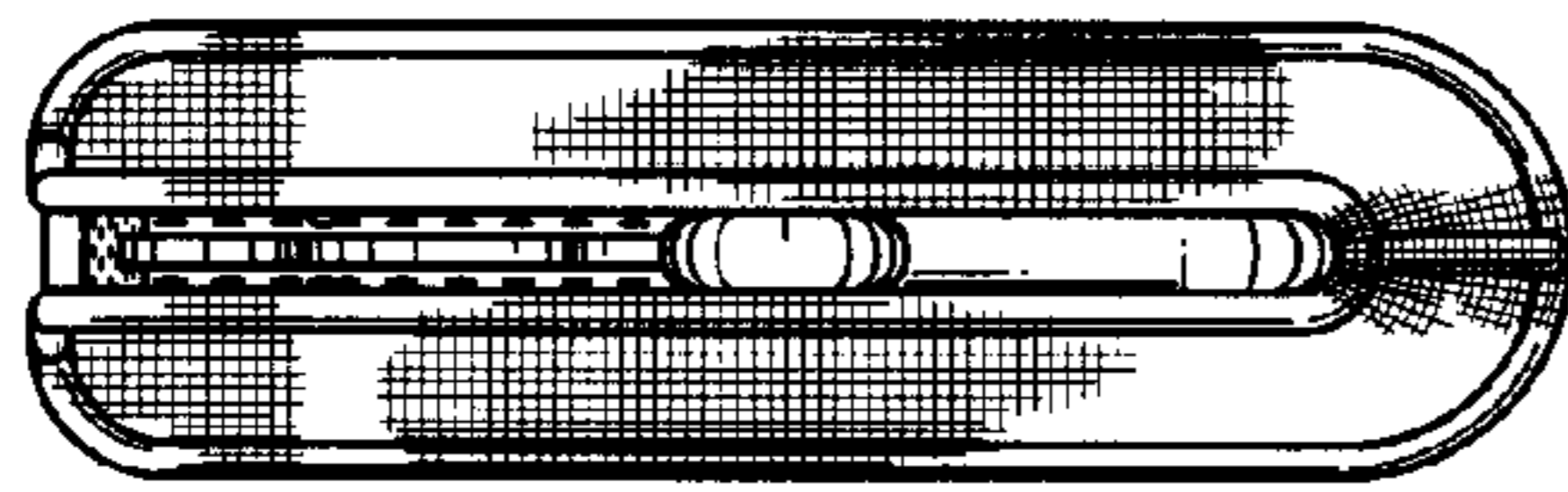


Fig. 6

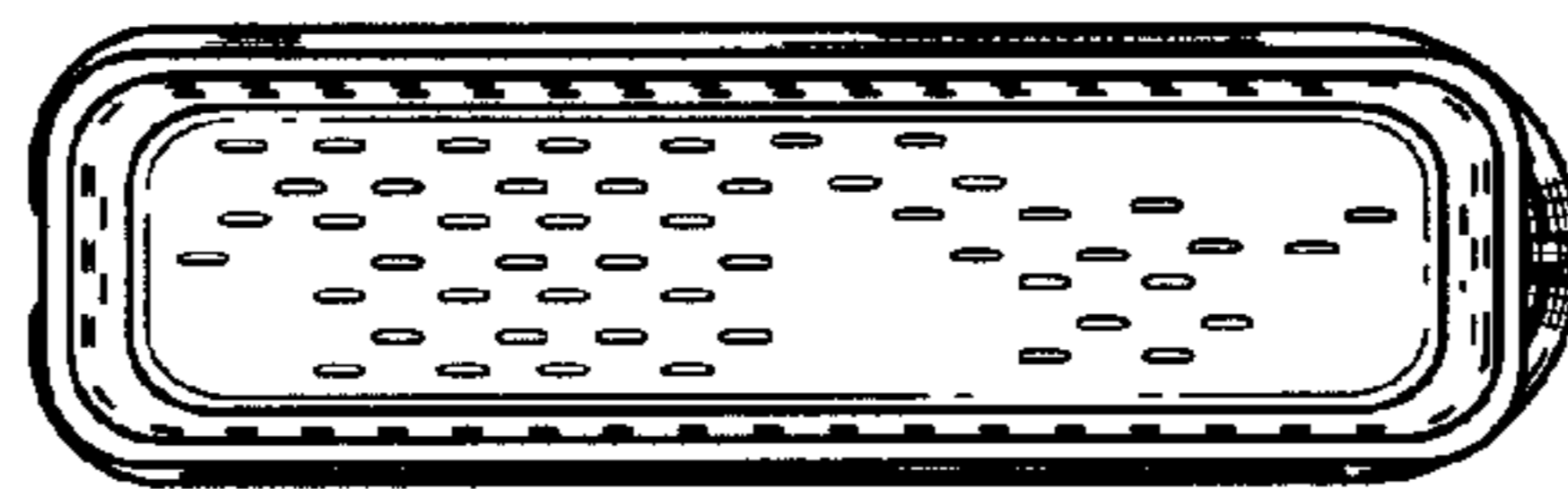


Fig. 7