



US00D642385S

(12) **United States Design Patent**
Lee et al.

(10) **Patent No.:** **US D642,385 S**
(45) **Date of Patent:** **** Aug. 2, 2011**

(54) **ELECTRONIC FRAME**

D610,355 S * 2/2010 Chigira et al. D6/308
D614,871 S * 5/2010 Tang et al. D6/308
D615,542 S * 5/2010 Oikawa et al. D14/374

(75) Inventors: **Yong-Joo Lee**, Seoul (KR); **Sung-Jin Ann**, Seoul (KR); **Ok-Keun Lee**, Kyunggi-do (KR)

OTHER PUBLICATIONS

U.S. Appl. No. 29/315,361, Applicant: Yong-Joo Lee, et al., filed Jun. 18, 2009 entitled Electronic Frame.
U.S. Appl. No. 29/349,013, Applicant: Yong-Joo Lee, et al., filed Mar. 2, 2010 entitled Electronic Frame.
U.S. Appl. No. 39/349,411, Applicant: Ok-Keun Lee et al., filed Mar. 31, 2010 entitled Electronic Frame.

(73) Assignee: **Samsung Electronics Co., Ltd.**, Kyunggi-do (KR)

(**) Term: **14 Years**

* cited by examiner

(21) Appl. No.: **29/349,412**

Primary Examiner — Phillip S Hyder
Assistant Examiner — Sydney Buffalow

(22) Filed: **Mar. 31, 2010**

(51) **LOC (9) Cl.** **06-07**

(52) **U.S. Cl.** **D6/308**

(58) **Field of Classification Search** D6/300–314;
D14/371, 372, 448, 449, 450, 374, 381, 382,
D14/336, 337, 250, 146, 341, 496, 331, 126,
D14/130; D20/10; D10/24, 75, 2

See application file for complete search history.

(74) *Attorney, Agent, or Firm* — Flynn, Thiel, Boutell & Tanis, P.C.

(57) **CLAIM**

The ornamental design for an electronic frame, as shown and described.

DESCRIPTION

(56) **References Cited**

U.S. PATENT DOCUMENTS

D271,168 S *	11/1983	Antonczyk	D6/300
D394,959 S *	6/1998	Kwan	D6/314
D396,562 S *	8/1998	Kenney	D6/314
D423,796 S *	5/2000	Kwan	D6/314
D457,733 S *	5/2002	Sussman et al.	D6/300
D564,990 S *	3/2008	Ueno	D14/126
D572,023 S	7/2008	Park		
D572,025 S	7/2008	Kwon		

FIG. 1 is a top front perspective view of an electronic frame showing our new design;

FIG. 2 is a front elevational view thereof;

FIG. 3 is a rear elevational view thereof;

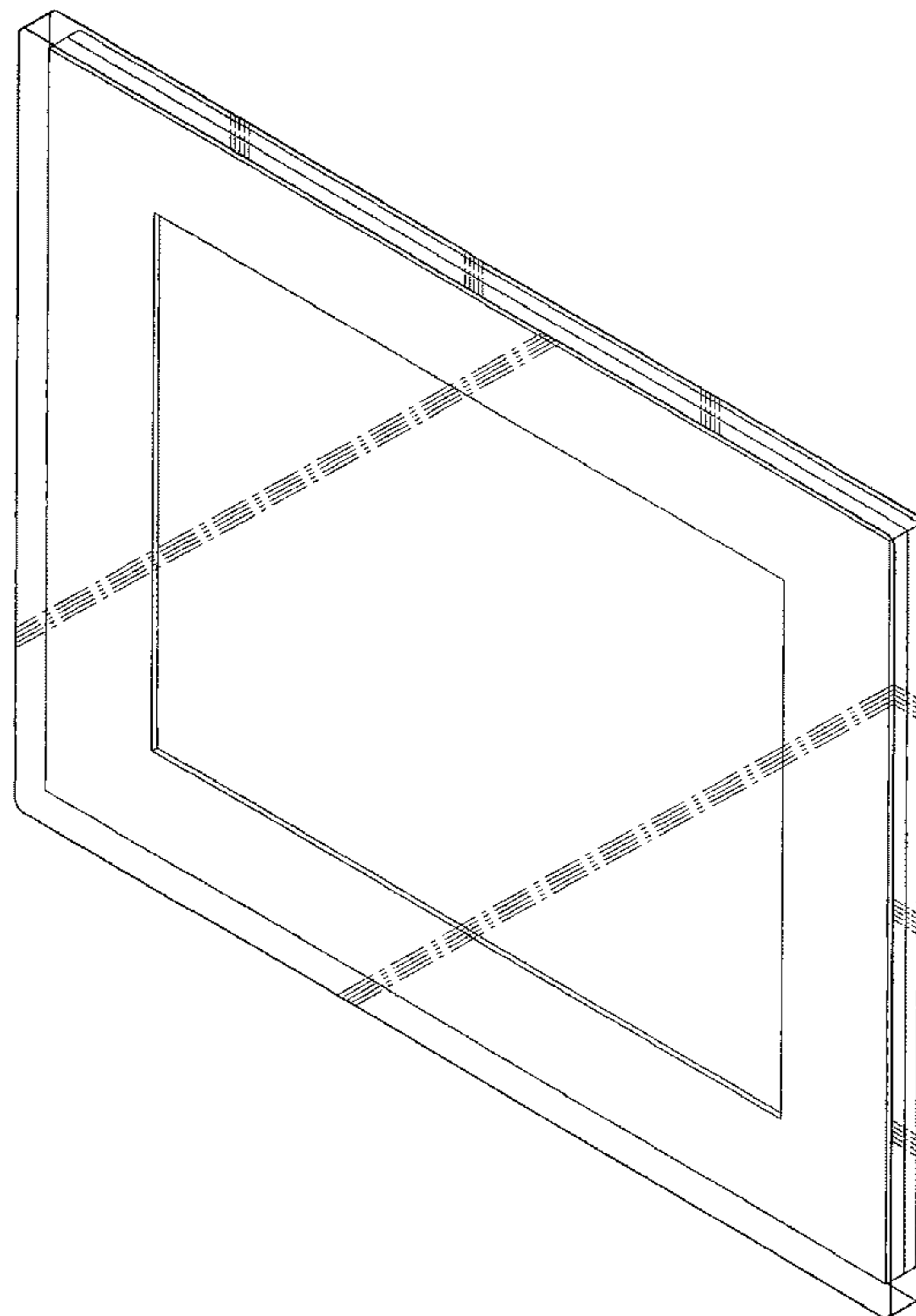
FIG. 4 is a left side elevational view thereof;

FIG. 5 is a right side elevational view thereof;

FIG. 6 is a top plan view thereof; and,

FIG. 7 is a bottom plan view thereof.

1 Claim, 4 Drawing Sheets



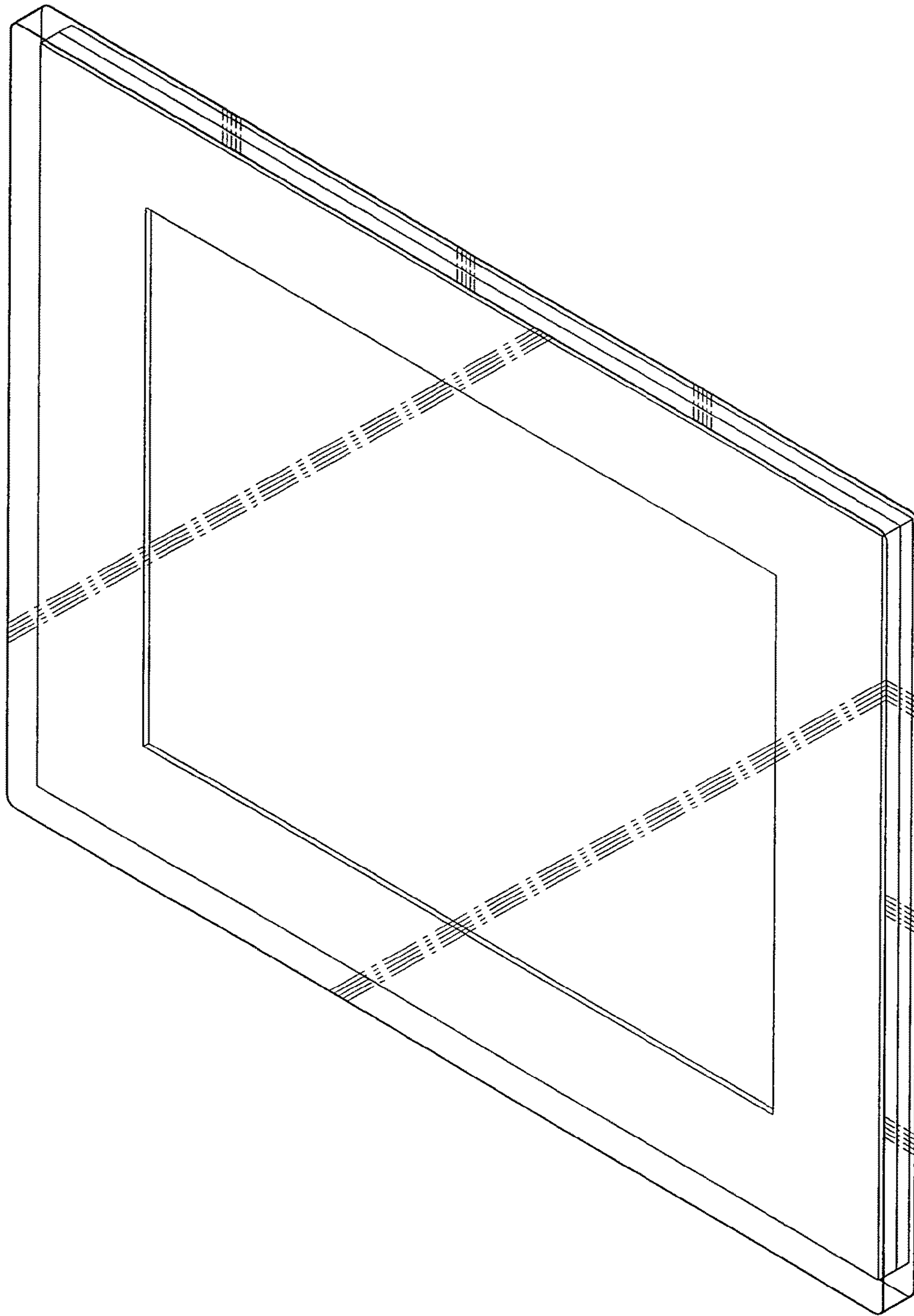


FIG. 1

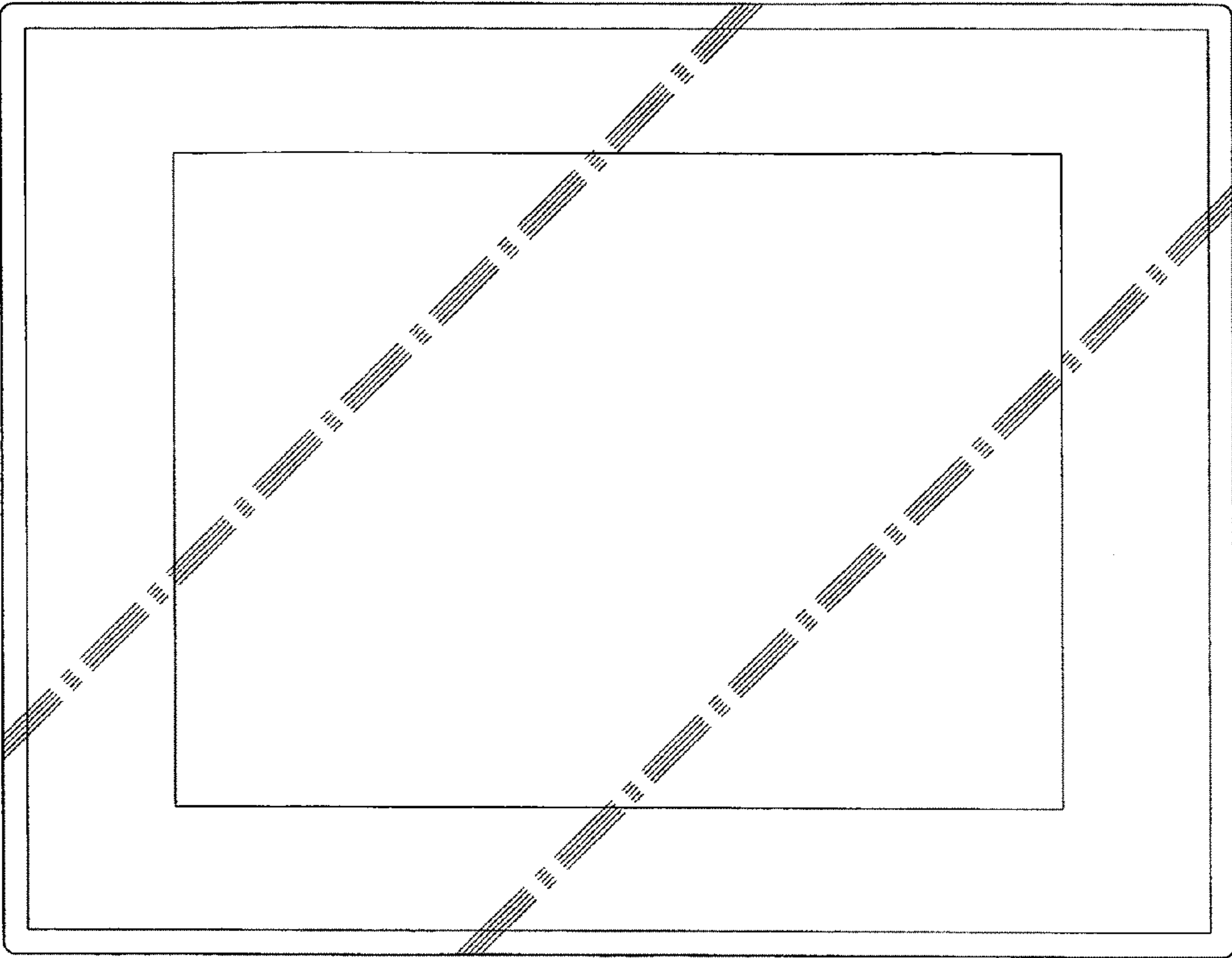


FIG. 2

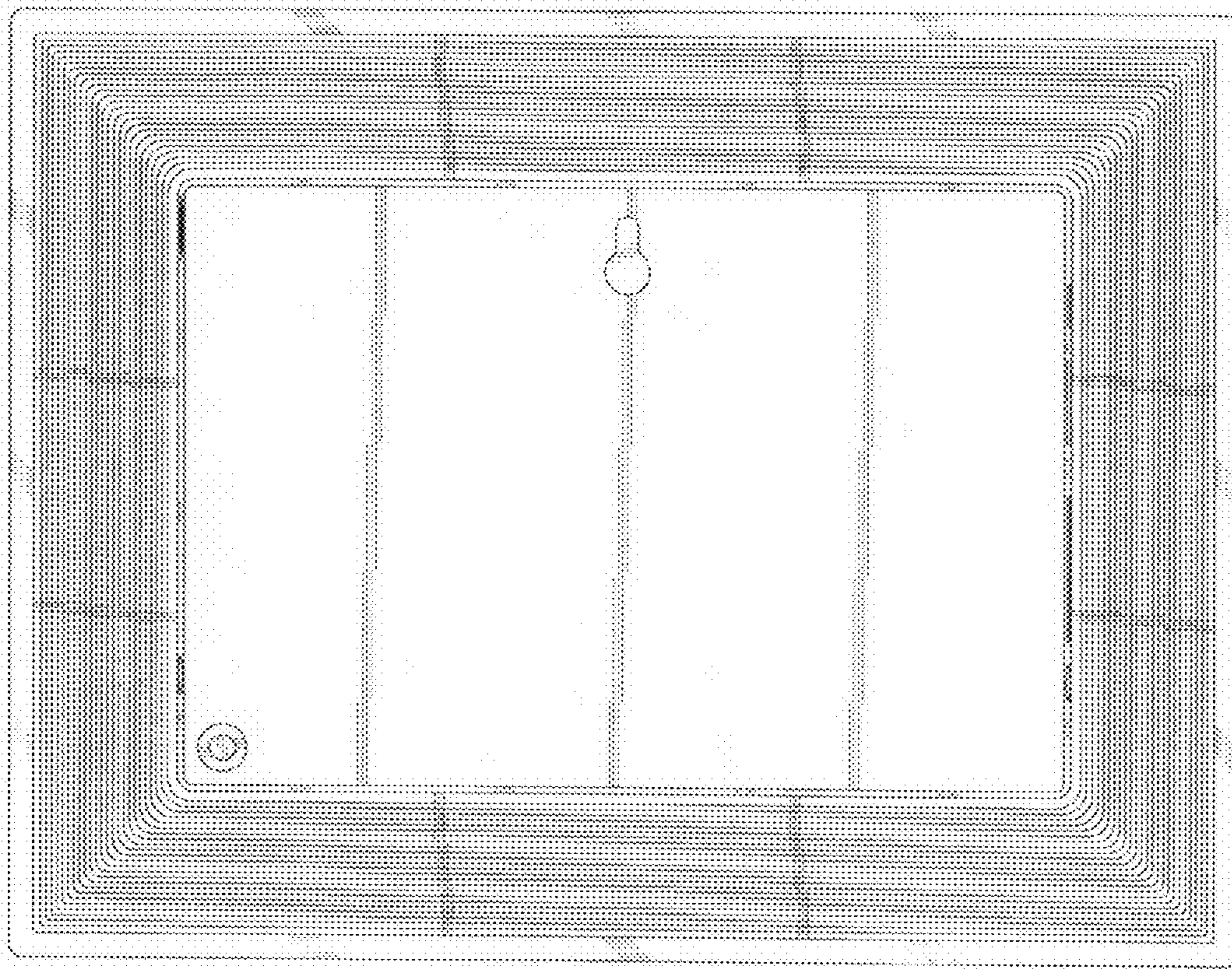


FIG. 3

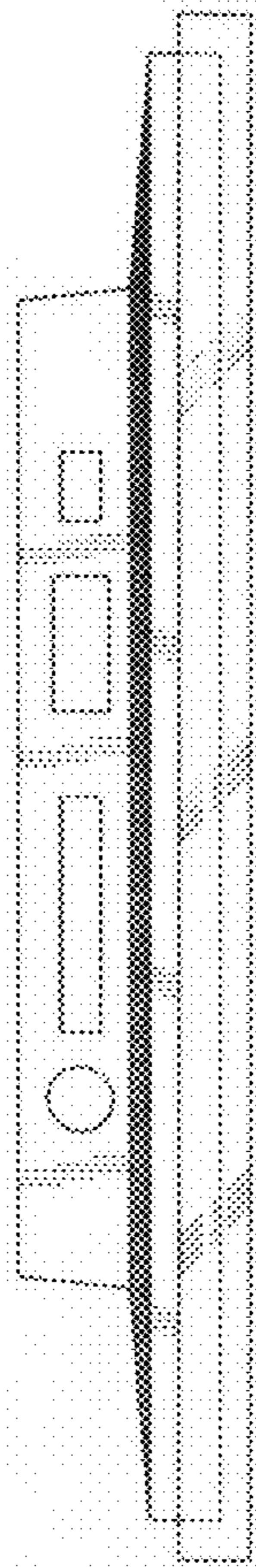


FIG. 4

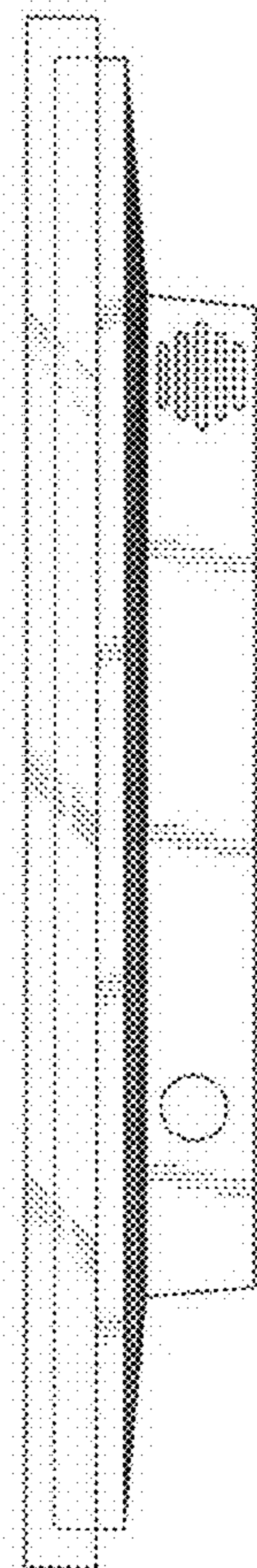


FIG. 5

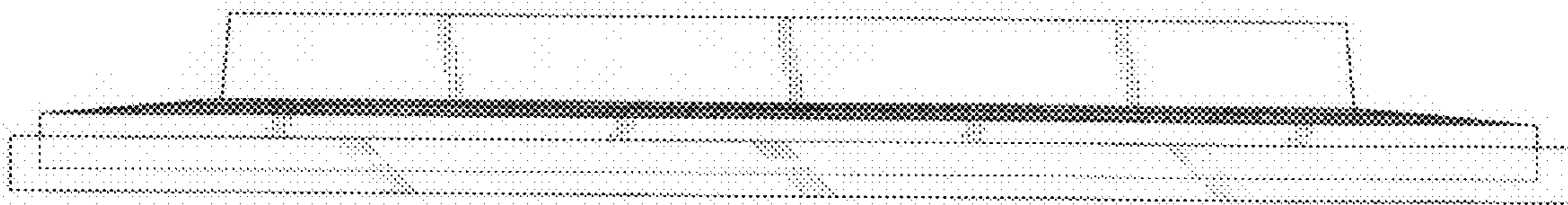


FIG. 6

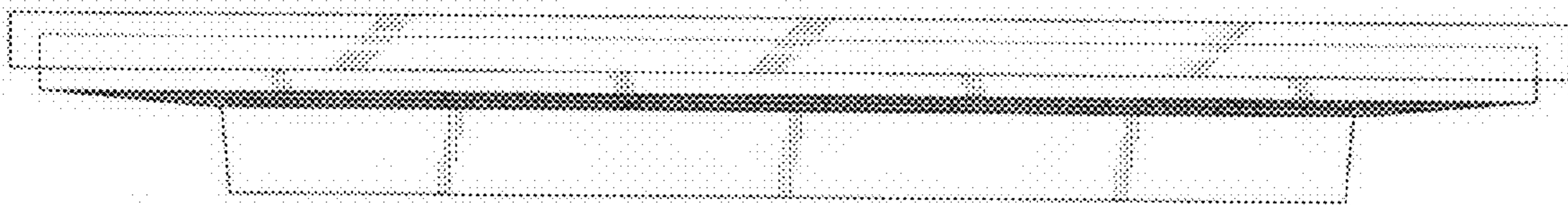


FIG. 7