



US00D642383S

(12) **United States Design Patent**
Parisi et al.

(10) **Patent No.:** **US D642,383 S**
(45) **Date of Patent:** **** Aug. 2, 2011**

(54) **FOGLESS MIRROR**

(75) Inventors: **Steven Parisi**, Haverstraw, NY (US);
Gary Parisi, Congers, NY (US); **Paul Parisi**, San Diego, CA (US)

(73) Assignee: **Toilettree Products, Inc.**, Upper Nyack, NY (US)

(**) Term: **14 Years**

(21) Appl. No.: **29/379,974**

(22) Filed: **Nov. 29, 2010**

Related U.S. Application Data

(63) Continuation of application No. 12/939,446, filed on Nov. 4, 2010, and a continuation-in-part of application No. 29/364,452, filed on Jun. 23, 2010, now Pat. No. Des. 638,631, which is a continuation-in-part of application No. 29/353,432, filed on Jan. 8, 2010, now Pat. No. Des. 628,410.

(51) **LOC (9) Cl.** **06-07**

(52) **U.S. Cl.** **D6/300**

(58) **Field of Classification Search** D6/300-314, D6/444, 525, 526; 40/700, 711, 735, 714-716, 40/719-722, 738, 744, 745, 754, 765, 768, 40/769, 790, 798, 597; 248/466-467; D20/10, D20/29-32; D11/131, 133-135; 359/838, 359/871, 872; D14/341, 218, 138 AD, 375
See application file for complete search history.

(56) **References Cited**

U.S. PATENT DOCUMENTS

D152,618 S	2/1949	Kibler
D186,064 S	9/1959	Wise
3,708,218 A	1/1973	Smillie, III
4,076,374 A	2/1978	Schwab
4,150,869 A	4/1979	Hansen
D258,474 S	3/1981	Edstrom

D258,475 S	3/1981	Edstrom
4,327,961 A	5/1982	Kladitis
D280,574 S	9/1985	Kladitis
D280,872 S	10/1985	Johnson
4,556,298 A	12/1985	Gottlieb
4,558,929 A	12/1985	Stephens et al.
D282,993 S *	3/1986	Sanford D6/526
4,655,559 A	4/1987	Odell
4,832,475 A	5/1989	Daniels
4,836,668 A	6/1989	Christianson
4,904,072 A	2/1990	Christianson

(Continued)

OTHER PUBLICATIONS

<http://www.shavenow.com/categories/Fog-Free-Shower-Mirror?gclid=CNTb1My1Z4CFdA65QodFRg-rw> as downloaded from the internet on Jan. 8, 2010.

Primary Examiner — Phillip S Hyder

Assistant Examiner — Sydney Buffalow

(74) *Attorney, Agent, or Firm* — Myers Wolin, LLC

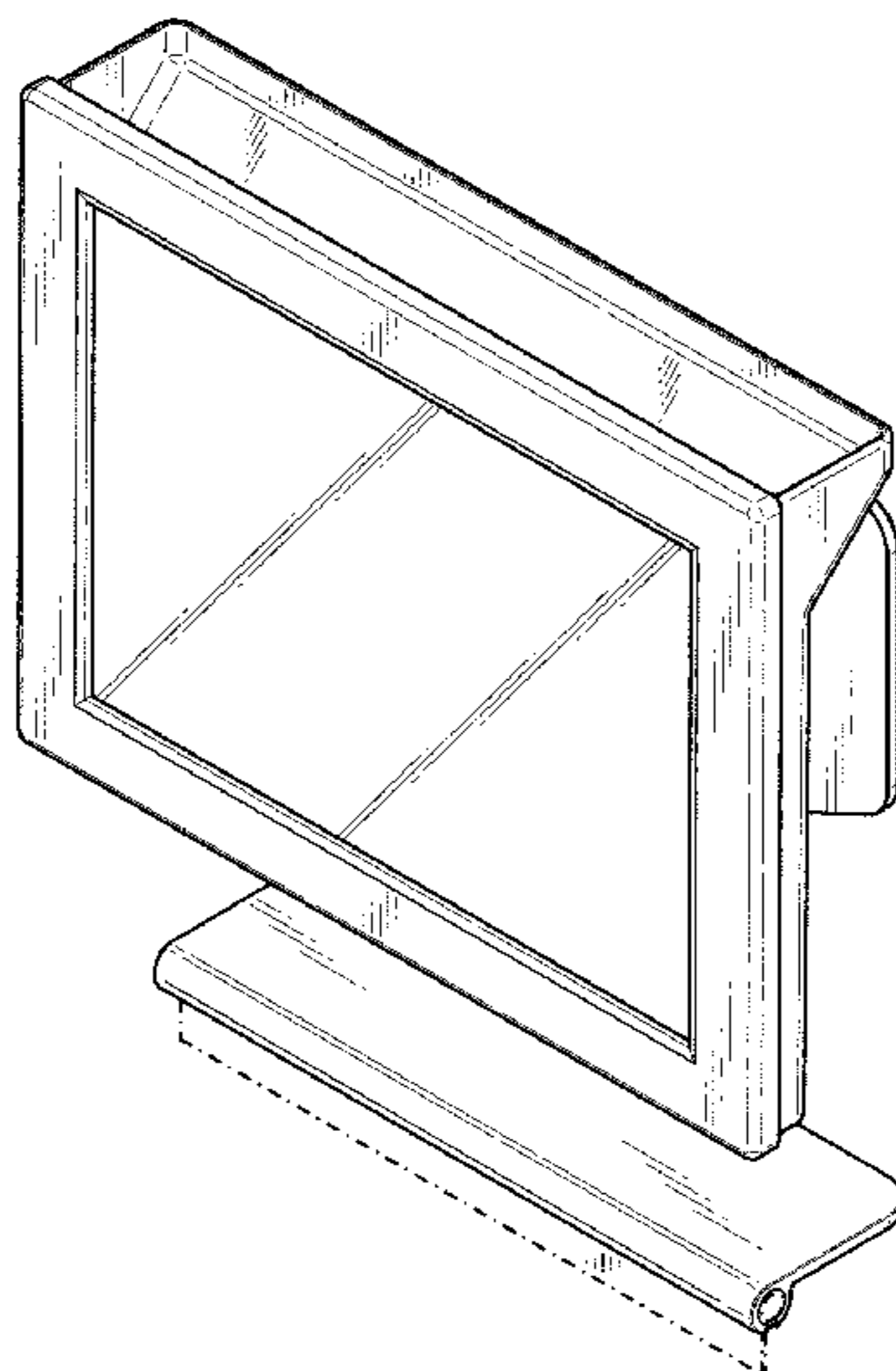
(57) **CLAIM**

The ornamental design for a fogless mirror, as shown and described.

DESCRIPTION

FIG. 1 is a front isometric view of one embodiment of a fogless mirror showing our new design; FIG. 2 is a rear isometric view thereof; FIG. 3 is a top plan view thereof; FIG. 4 is a front elevational view thereof; FIG. 5 is a right side elevational view thereof, the left side elevation being identical; FIG. 6 is a bottom plan view thereof; FIG. 7 is a rear elevational view thereof; and, FIG. 8 is a side isometric view thereof. The broken lines are for illustrative purposes only and form no part of the claimed design.

1 Claim, 3 Drawing Sheets



US D642,383 S

Page 2

U.S. PATENT DOCUMENTS

D324,463	S	*	3/1992	Young	D6/525
D339,574	S	*	9/1993	Althans et al.	D14/374
5,313,316	A		5/1994	Davidge		
D349,489	S	*	8/1994	Wang	D14/375
D356,552	S	*	3/1995	Maeno et al.	D14/375
5,416,635	A		5/1995	Christianson et al.		
D362,772	S		10/1995	Peart et al.		
D369,049	S		4/1996	Scaglione		
5,604,633	A		2/1997	Christianson		
D391,933	S	*	3/1998	Chang	D14/375
5,847,873	A		12/1998	Kim		
5,953,157	A		9/1999	Christianson		
D462,216	S		9/2002	Jablonski		
D464,646	S	*	10/2002	Lin	D14/341
D478,051	S	*	8/2003	Sagawa	D13/168
D486,962	S	*	2/2004	Snell	D6/309
D505,555	S	*	5/2005	Snell	D6/309
D506,877	S	*	7/2005	Snell	D6/300
D531,631	S	*	11/2006	Andre et al.	D14/375
D532,207	S	*	11/2006	Snell	D6/300
D451,563	S		5/2007	LaBonia, Jr. et al.		
D541,799	S	*	5/2007	Andre et al.	D14/375
7,249,858	B2		7/2007	Blackwood		
D558,985	S		1/2008	Defenbaugh et al.		
D580,392	S	*	11/2008	Kim et al.	D14/138 AD
D600,242	S	*	9/2009	Yeh et al.	D14/341
D635,556	S	*	4/2011	Suzuki	D14/218
2003/0063059	A1	*	4/2003	Farrow et al.	345/92
2003/0235029	A1	*	12/2003	Doherty et al.	361/683

* cited by examiner

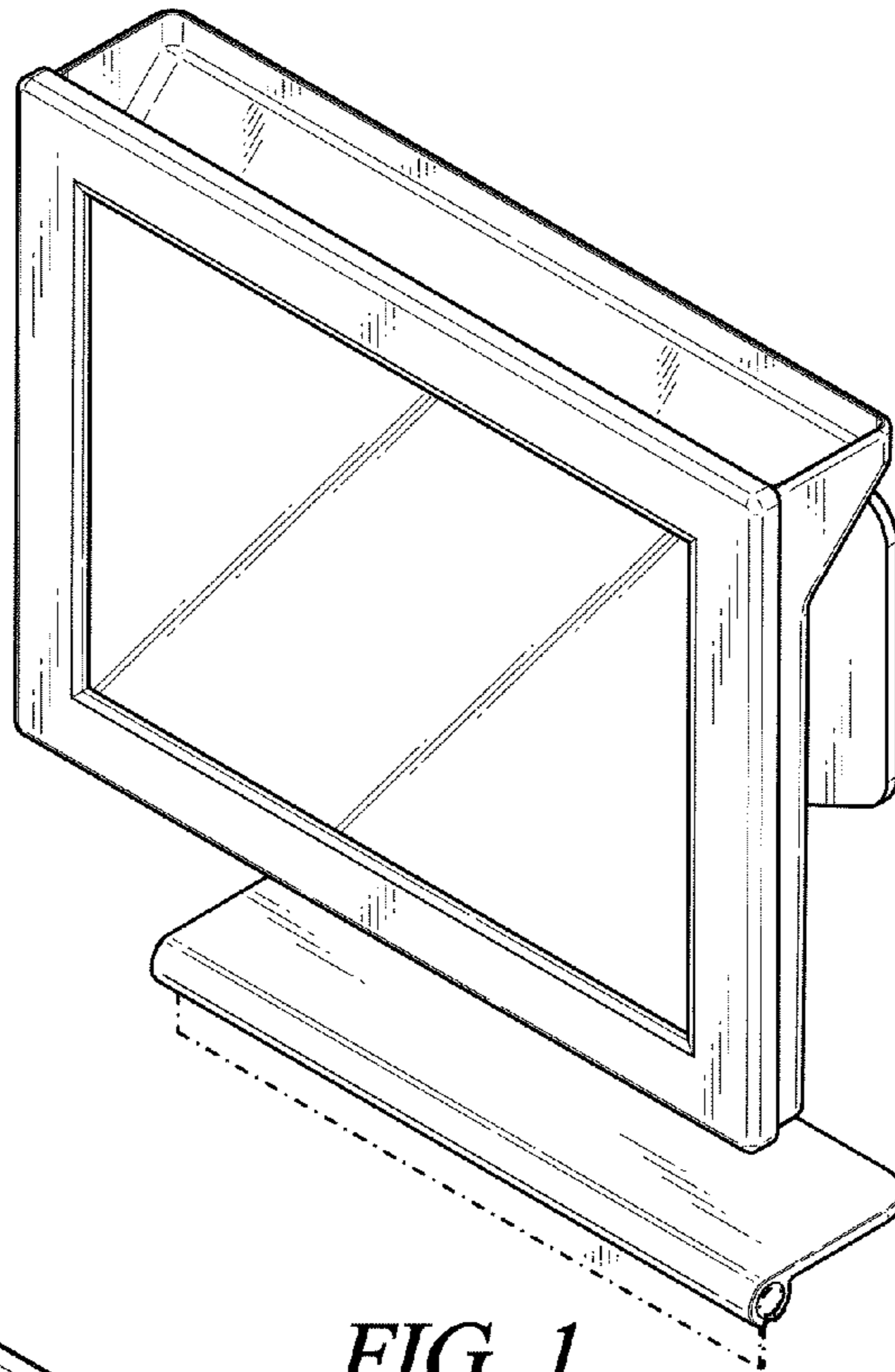


FIG. 1

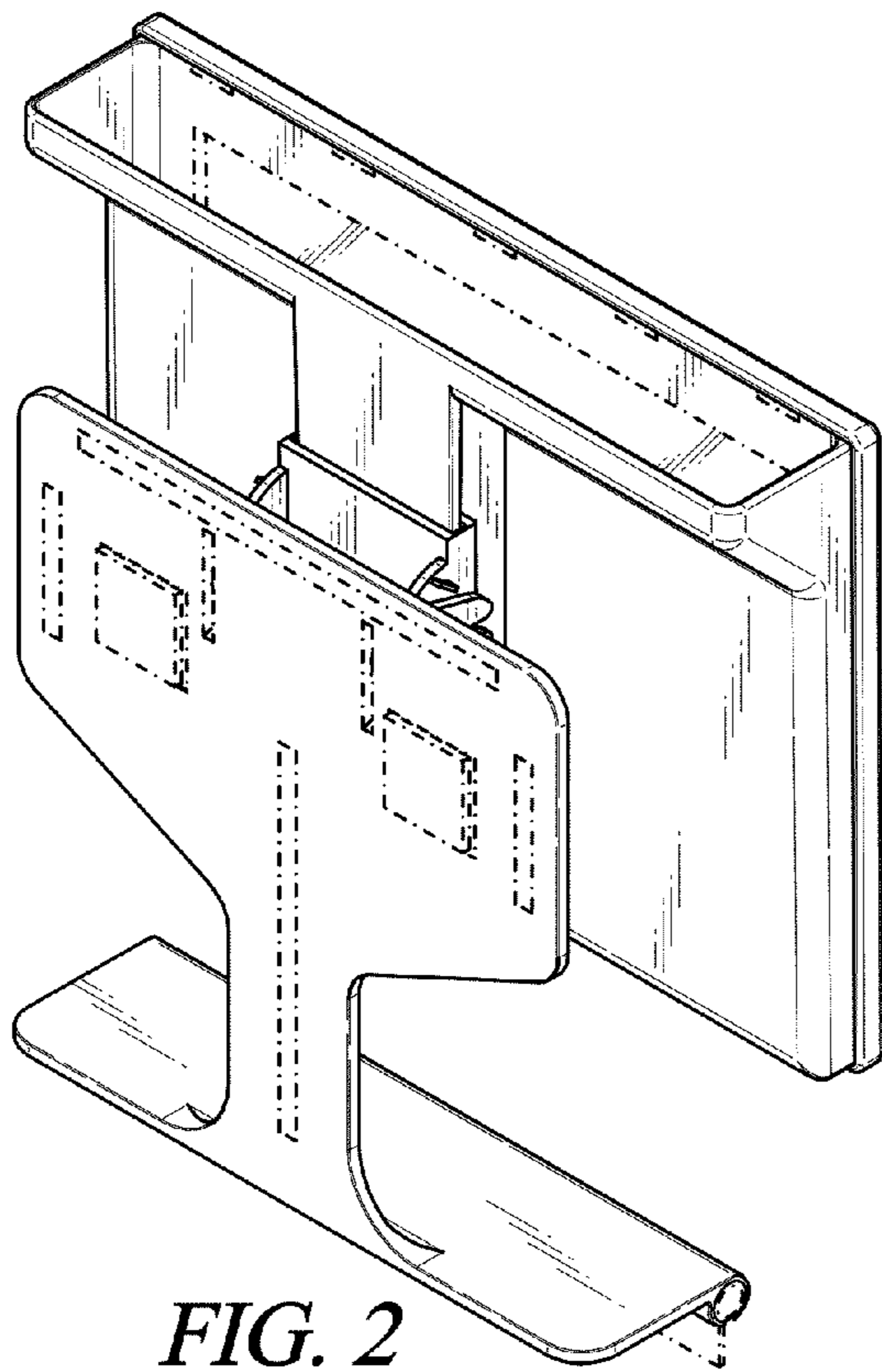


FIG. 2

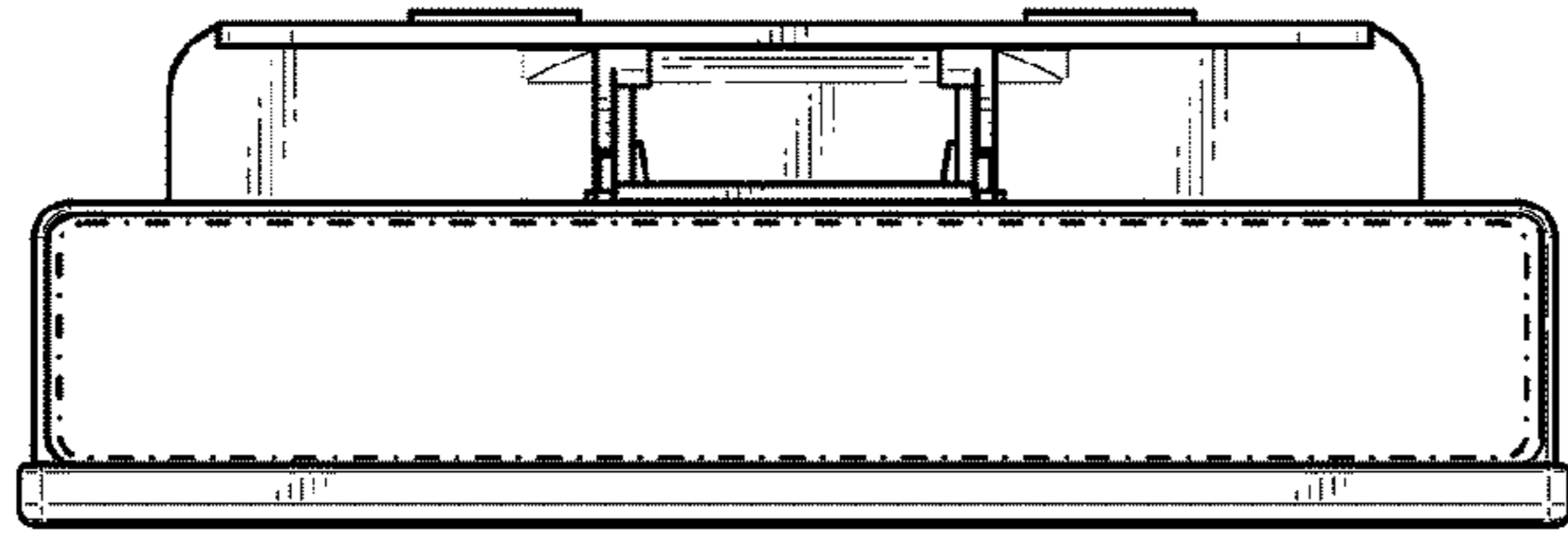


FIG. 3

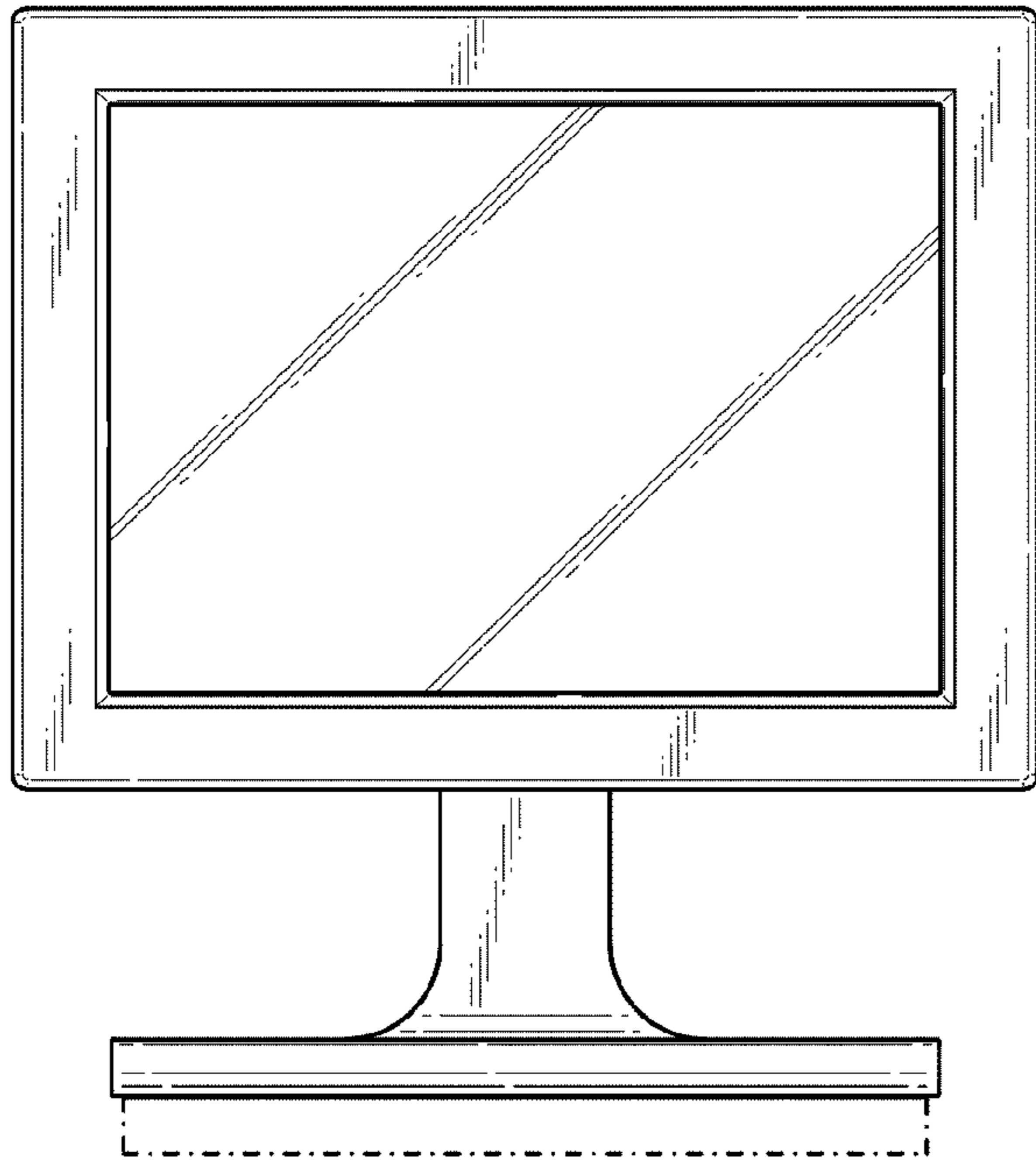


FIG. 4

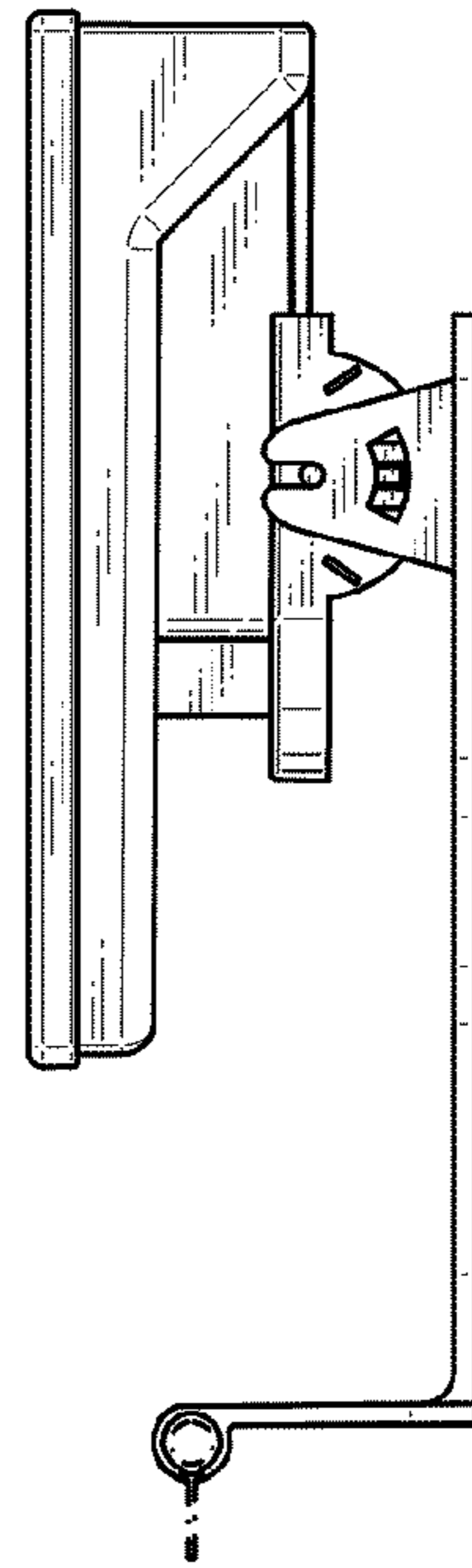


FIG. 5

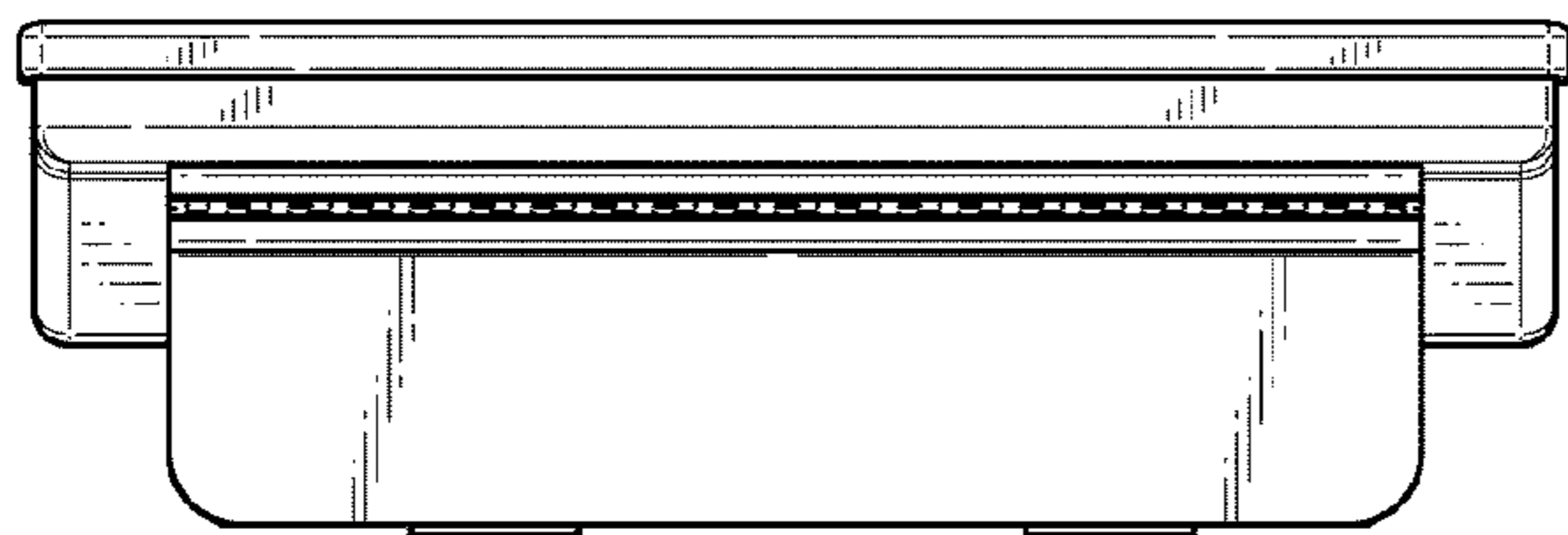


FIG. 6

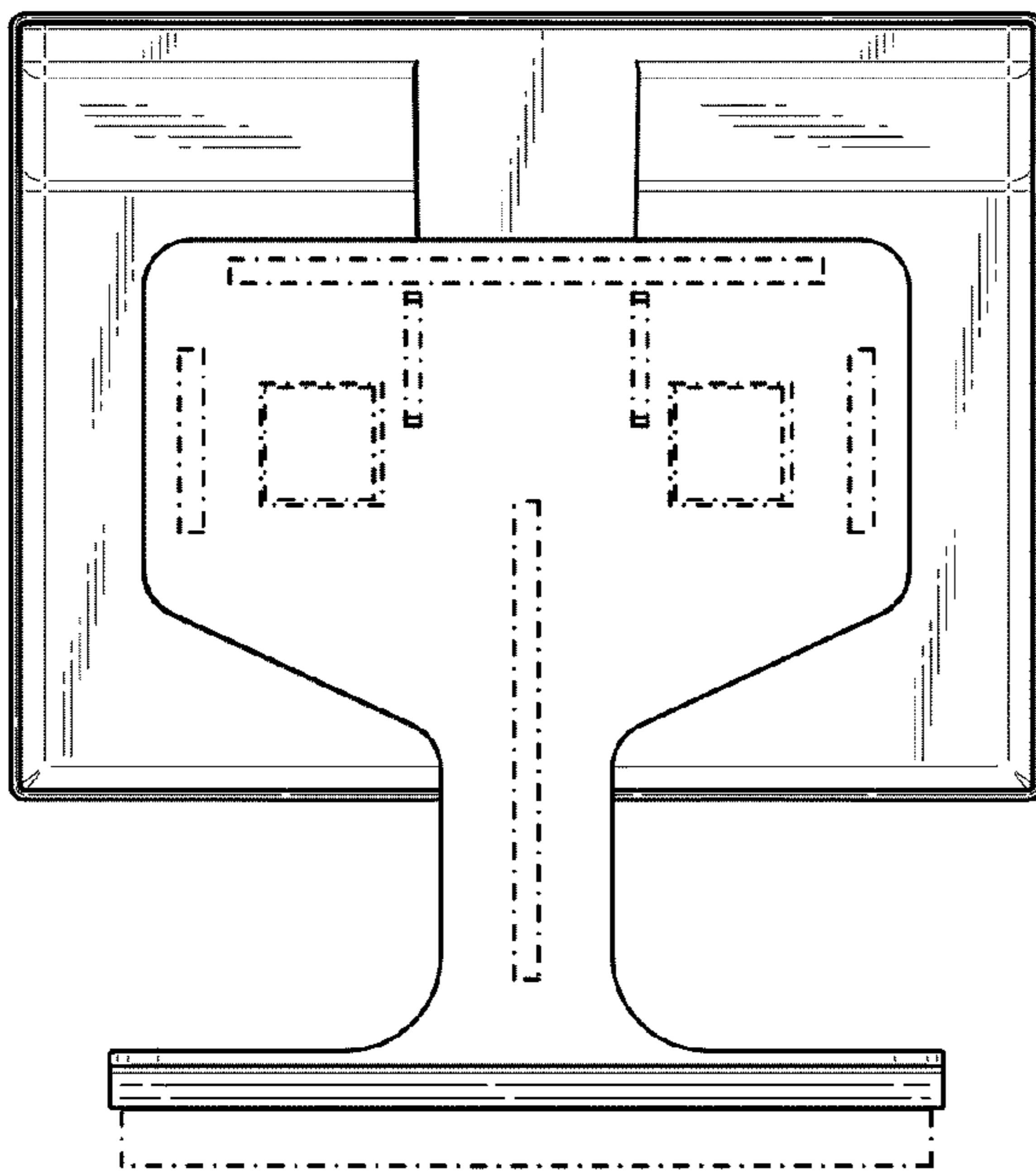


FIG. 7

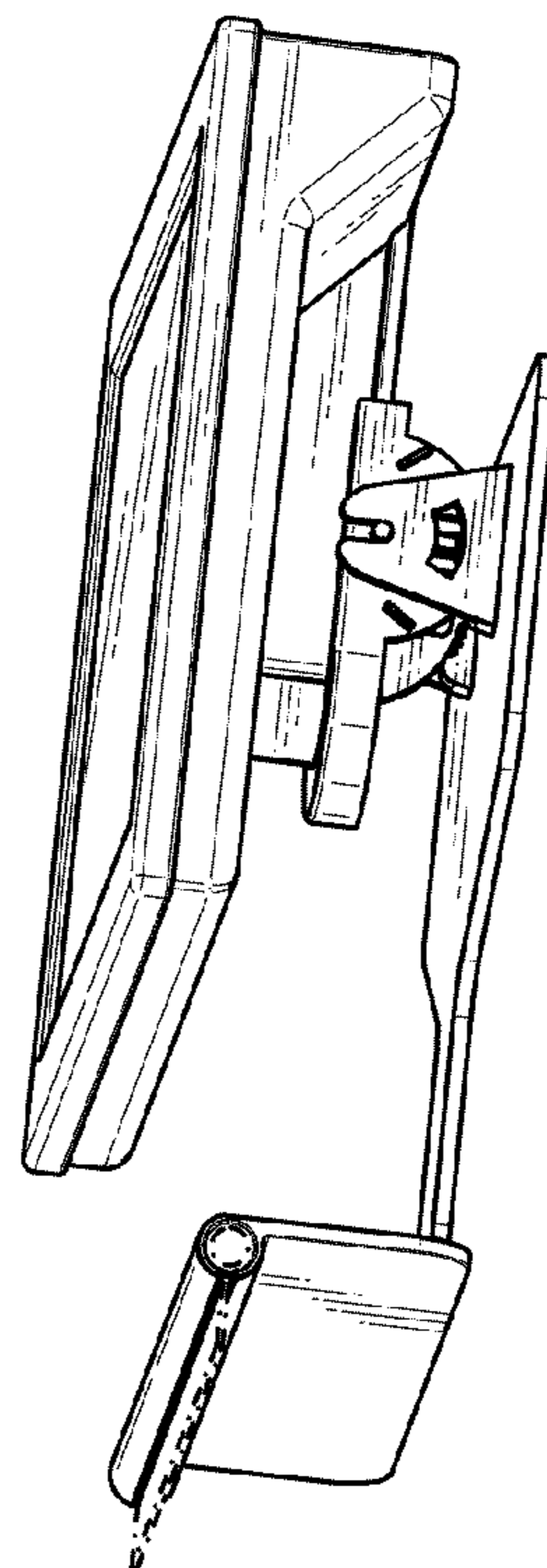


FIG. 8