



US00D642374S

(12) **United States Design Patent**
Morrish et al.

(10) **Patent No.:** **US D642,374 S**

(45) **Date of Patent:** **** Aug. 2, 2011**

(54) **BOTTLE OPENER KEY FOB**

(76) Inventors: **John Morrish**, Powys (GB); **Mark Morrish**, Powys (GB)

(**) Term: **14 Years**

(21) Appl. No.: **29/360,279**

(22) Filed: **Apr. 22, 2010**

(51) **LOC (9) Cl.** **03-01**

(52) **U.S. Cl.** **D3/210; D8/34**

(58) **Field of Classification Search** D3/207,
D3/208, 210, 211; D8/14, 16–20, 33–43,
D8/88, 89, 98, 105; D20/22; 7/113, 151–156;
30/400–410, 416–430, 433, 434, 443, 450;
70/456 R, 460; 81/3.07, 3.09, 3.2, 3.27,
81/3.29, 3.31, 3.35, 3.37, 3.4, 3.45, 3.48,
81/3.49, 3.55

See application file for complete search history.

(56) **References Cited**

U.S. PATENT DOCUMENTS

D247,263 S * 2/1978 Van Benthem D3/210
D267,521 S * 1/1983 Mathieson D3/210
D278,950 S * 5/1985 Vaughan D3/208
4,706,477 A * 11/1987 Rousseau 70/456 R

D293,287 S * 12/1987 Cauque et al. D3/208
D303,345 S * 9/1989 Sawatsky et al. D8/40
5,806,356 A * 9/1998 Lee 70/456 R
D448,157 S * 9/2001 Wright D3/208
D550,952 S * 9/2007 Rimon D3/207
D576,851 S * 9/2008 Zeyfang D8/17
D579,739 S * 11/2008 Barone D8/14
D587,899 S * 3/2009 Oksanen D3/207
D634,117 S * 3/2011 Morrish et al. D3/207

* cited by examiner

Primary Examiner — Garth Rademaker

(74) *Attorney, Agent, or Firm* — Gifford, Krass, Sprinkle,
Anderson & Citkowski, P.C.

(57) **CLAIM**

The ornamental design for a bottle opener key fob, as shown
and described.

DESCRIPTION

FIG. 1 is a top, front perspective view of a bottle opener key
fob according to the design;

FIG. 2 is a rear perspective view thereof;

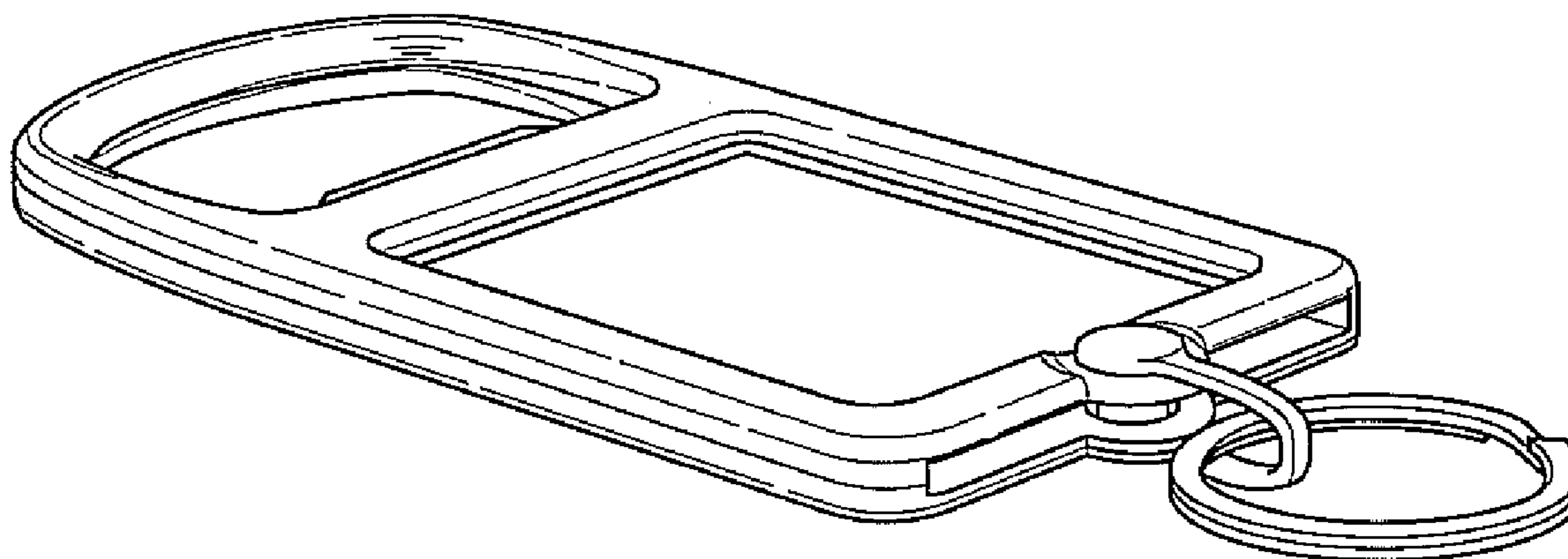
FIG. 3 is a front perspective view thereof;

FIG. 4 is a top plan view thereof;

FIG. 5 is a front elevation view thereof; and,

FIG. 6 is a side elevation view thereof.

1 Claim, 2 Drawing Sheets



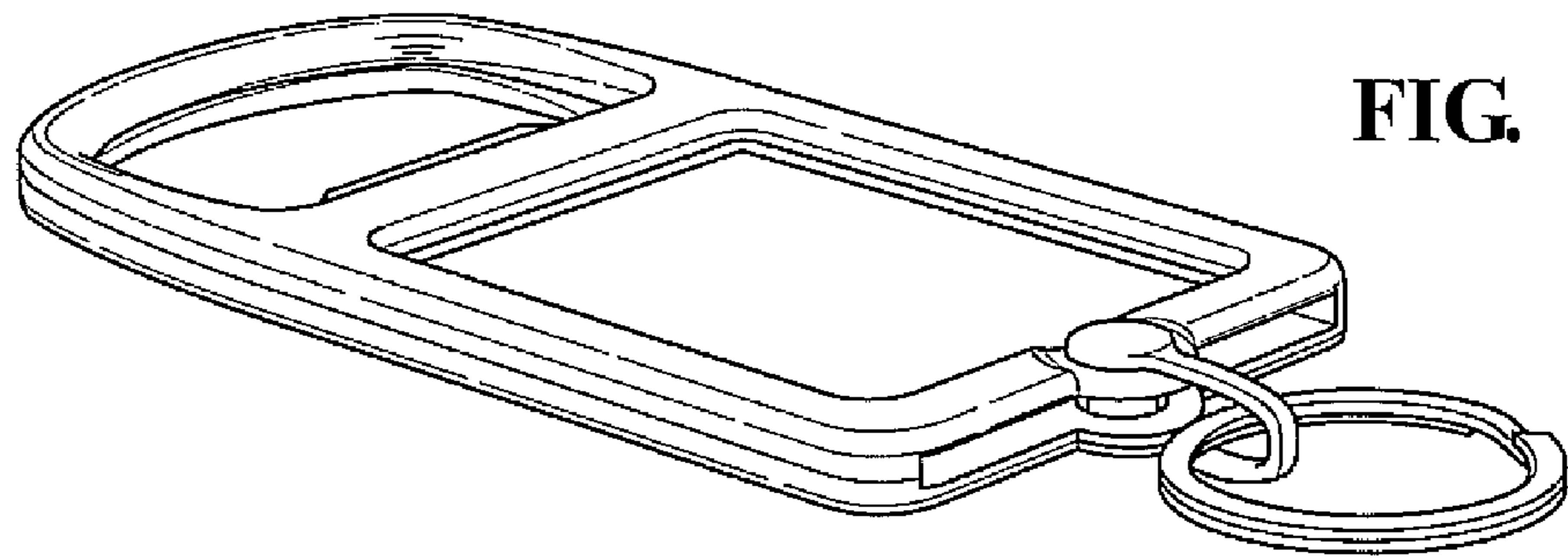


FIG. 1

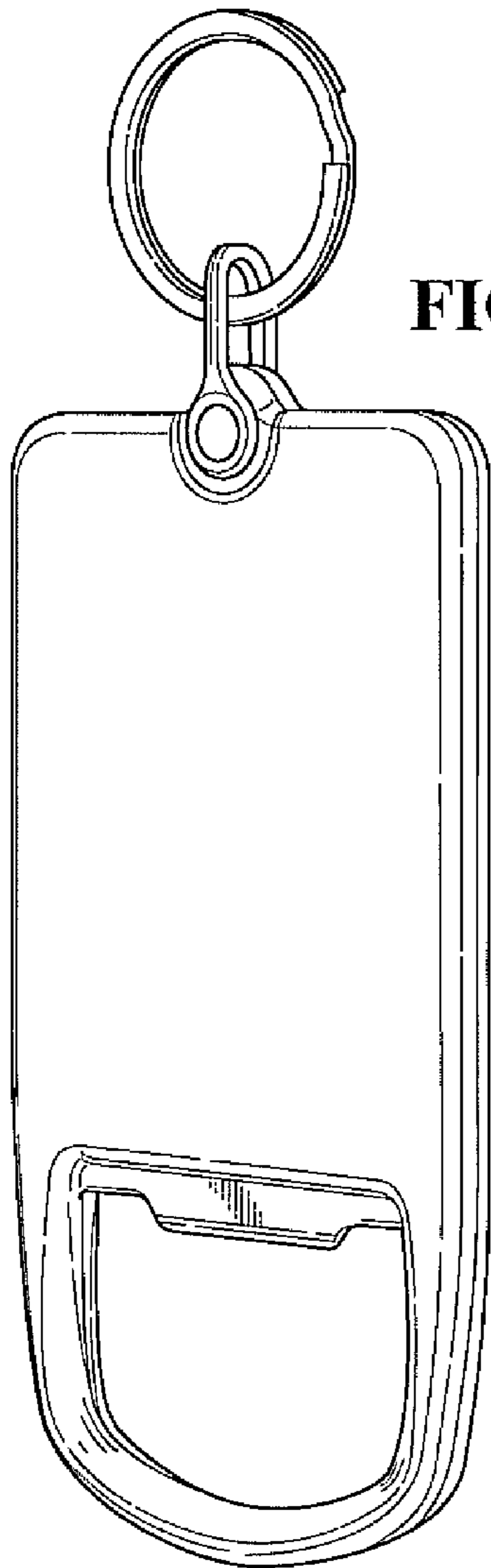


FIG. 2

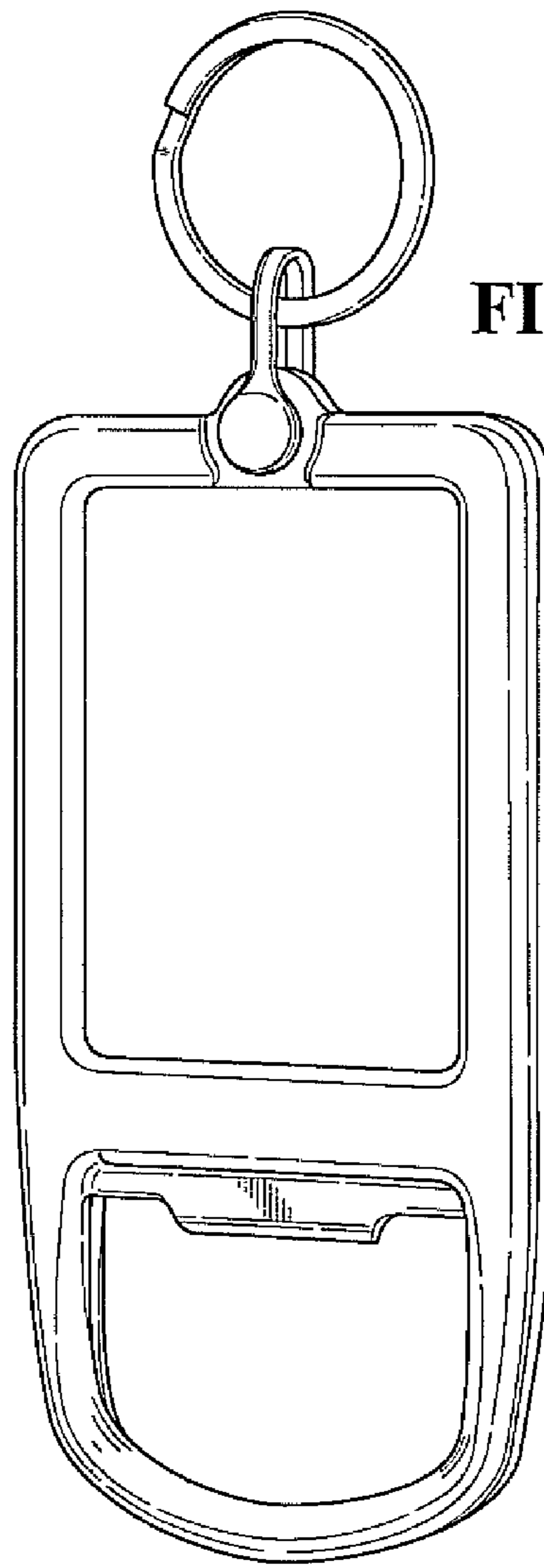


FIG. 3



FIG. 4

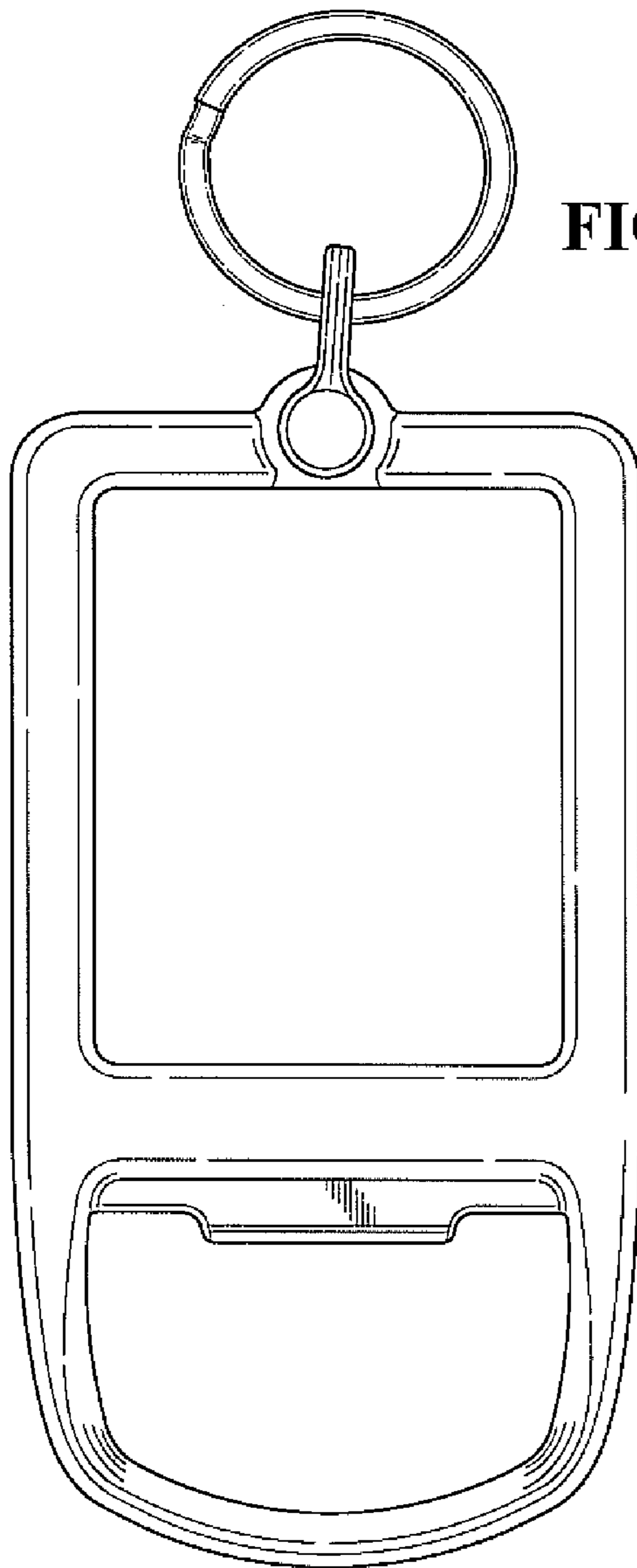


FIG. 5



FIG. 6