



US00D642373S

(12) **United States Design Patent**
Decarlo et al.

(10) **Patent No.:** **US D642,373 S**

(45) **Date of Patent:** **** Aug. 2, 2011**

- (54) **MUSICAL INSTRUMENT CASE**
- (75) Inventors: **Anthony Decarlo**, Kirkland, OH (US);
Daniel Perella, Hudson, OH (US);
Vincent Thomson, Avon Lake, OH (US); **Jeffrey Briehl**, San Antonio, TX (US)
- (73) Assignee: **Ideastream Consumer Products, LLC**,
Cleveland, OH (US)

- D511,035 S 10/2005 Perella et al.
- D512,102 S 11/2005 DeCarlo et al.
- D515,809 S 2/2006 Perella et al.
- D516,316 S 3/2006 Perella et al.

(Continued)

Primary Examiner — T. Chase Nelson

Assistant Examiner — Michael Pratt

(74) *Attorney, Agent, or Firm* — Pillsbury Winthrop Shaw Pittman LLP

(**) Term: **14 Years**

(57) **CLAIM**
The ornamental design for a musical instrument case, as shown and described.

(21) Appl. No.: **29/328,021**

DESCRIPTION

(22) Filed: **Nov. 18, 2008**

(51) **LOC (9) Cl.** **03-01**

(52) **U.S. Cl.** **D3/204**

(58) **Field of Classification Search** D3/201,
D3/204, 262, 269, 290, 294; 224/910; 206/14,
206/314; 29/416; D7/628

See application file for complete search history.

FIG. 1 is a perspective view of a musical instrument case embodying one aspect of the new design;
 FIG. 2 is a front elevational view of the musical instrument case of FIG. 1;
 FIG. 3 is a rear elevational view of the musical instrument case of FIG. 1;
 FIG. 4 is a left side profile view of the musical instrument case of FIG. 1;
 FIG. 5 is a right side profile view of the musical instrument case of FIG. 1;
 FIG. 6 is a top plan view of the musical instrument case of FIG. 1;
 FIG. 7 is a bottom plan view of the musical instrument case of FIG. 1;
 FIG. 8 is a perspective view of a musical instrument case embodying another aspect of the new design;
 FIG. 9 is a front elevational view of the musical instrument case of FIG. 8;
 FIG. 10 is a rear elevational view of the musical instrument case of FIG. 8;
 FIG. 11 is a left side profile view of the musical instrument case of FIG. 8;
 FIG. 12 is a right side profile view of the musical instrument case of FIG. 8;
 FIG. 13 is a top plan view of the musical instrument case of FIG. 8; and,
 FIG. 14 is a bottom plan view of the musical instrument case of FIG. 8.

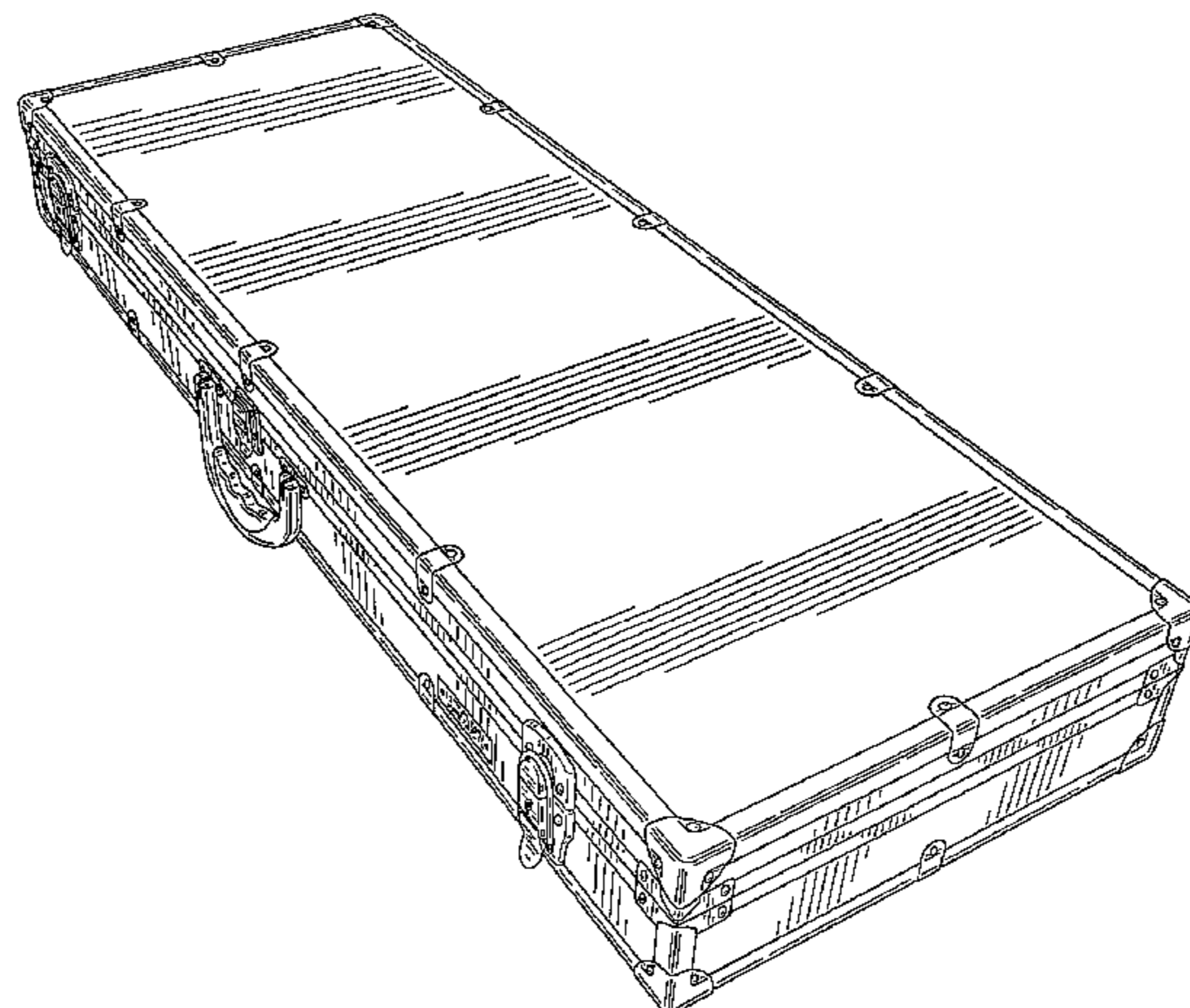
The subject matter shown in broken lines forms no part of the claimed design.

(56) **References Cited**

U.S. PATENT DOCUMENTS

- D247,993 S * 5/1978 Calzone, III D3/204
- 4,669,587 A * 6/1987 Zitt 190/109
- 6,462,260 B2 * 10/2002 Fediakov 84/327
- D488,321 S 4/2004 Perella et al.
- D490,206 S 5/2004 Perella et al.
- D493,303 S 7/2004 Perella et al.
- D493,936 S 8/2004 Perella et al.
- D496,791 S 10/2004 Perella et al.
- D497,252 S 10/2004 Perella et al.
- D498,049 S 11/2004 Perella et al.
- D499,883 S 12/2004 Perella et al.
- D500,922 S 1/2005 Perella et al.
- D501,083 S 1/2005 Perella et al.
- D501,995 S 2/2005 Perella et al.
- D503,024 S 3/2005 Perella et al.
- D503,503 S 3/2005 Perella et al.
- D504,038 S 4/2005 Perella et al.
- D504,039 S 4/2005 Perella et al.
- D504,990 S 5/2005 Perella et al.
- D505,042 S 5/2005 Perella et al.
- D509,357 S 9/2005 Perella et al.
- D510,491 S 10/2005 Perella et al.

1 Claim, 10 Drawing Sheets



US D642,373 S

Page 2

U.S. PATENT DOCUMENTS

D518,637 S	4/2006	DeCarlo et al.	7,314,147 B2	1/2008	DeCarlo et al.
D518,675 S	4/2006	Perella et al.	D561,462 S	2/2008	Perella et al.
D522,746 S	6/2006	Perella et al.	D562,048 S	2/2008	Perella et al.
D528,604 S	9/2006	Decarlo et al.	D563,692 S	3/2008	DeCarlo et al.
D528,795 S	9/2006	Perella et al.	D564,031 S	3/2008	Perella et al.
D529,287 S	10/2006	Perella et al.	D570,668 S	6/2008	DeCarlo et al.
D545,589 S	7/2007	DeCarlo et al.	D574,655 S	8/2008	Perella et al.
D549,447 S	8/2007	Perella et al.	D578,819 S	10/2008	Perella et al.
D555,736 S	11/2007	Decarlo et al.	D579,174 S	10/2008	Decarlo et al.
D560,875 S	1/2008	Decarlo et al.	D579,234 S	10/2008	Decarlo et al.

* cited by examiner

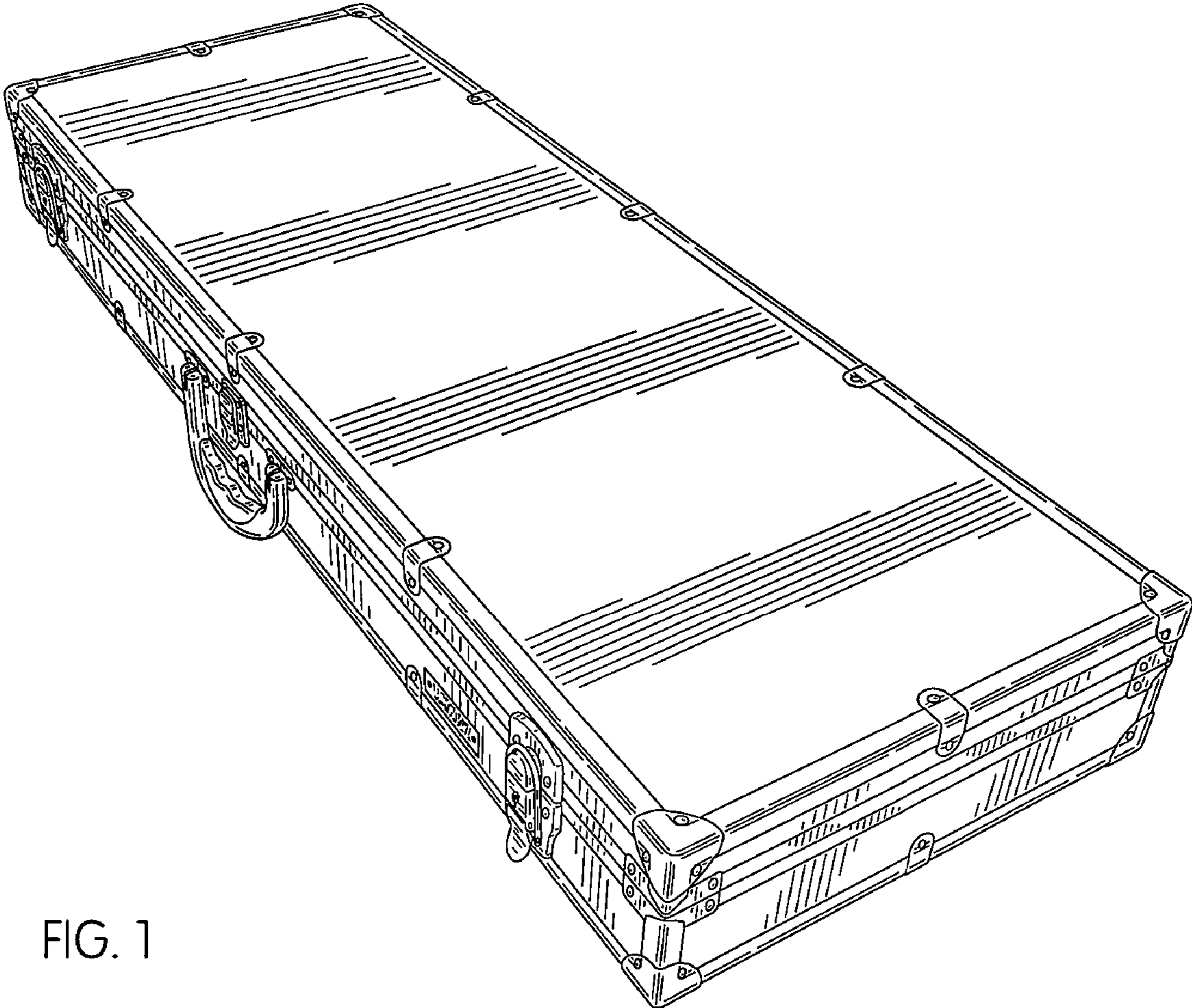


FIG. 1

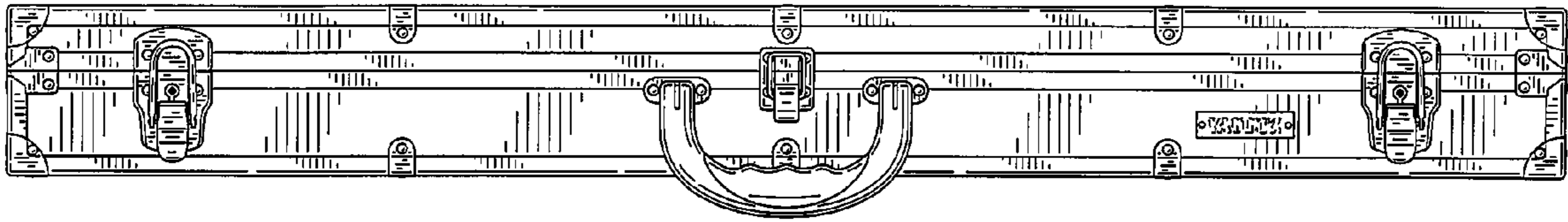


FIG. 2

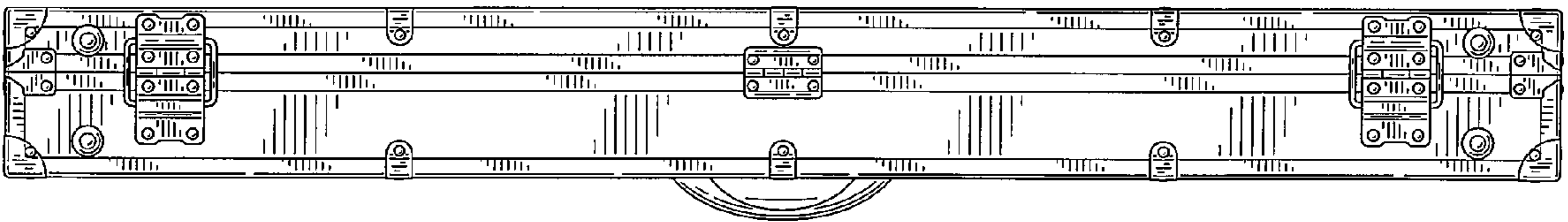


FIG. 3

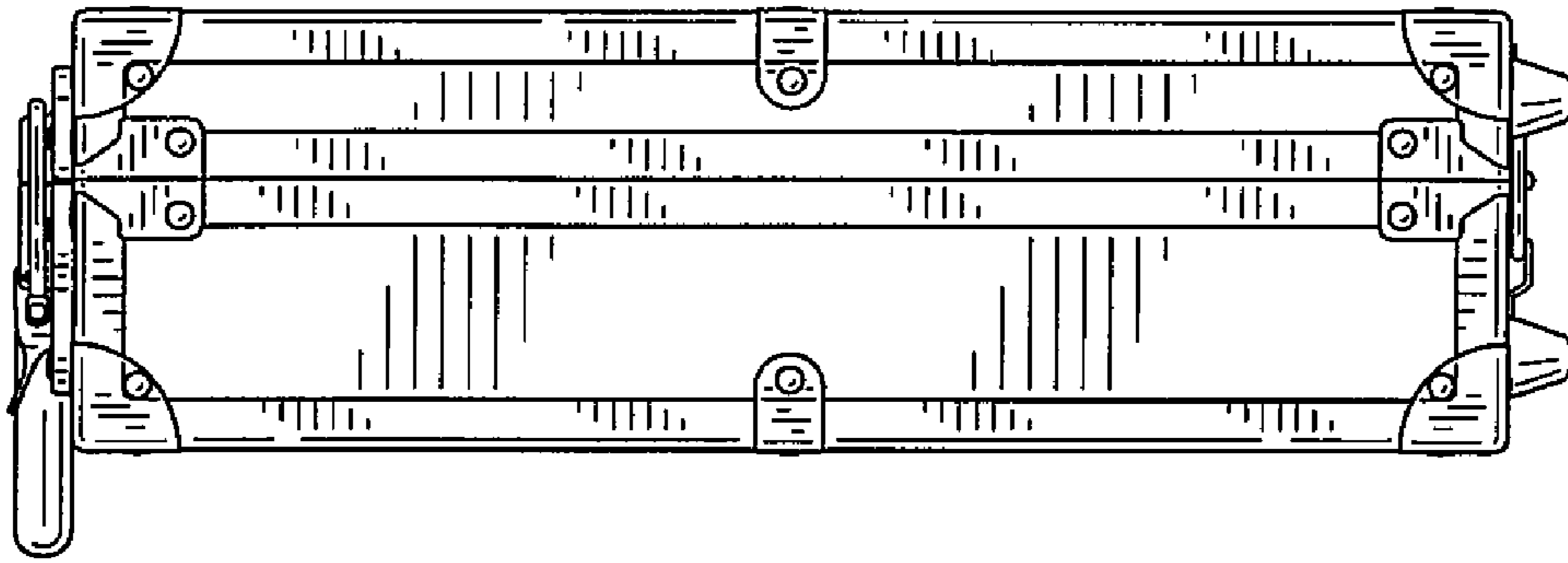


FIG. 4

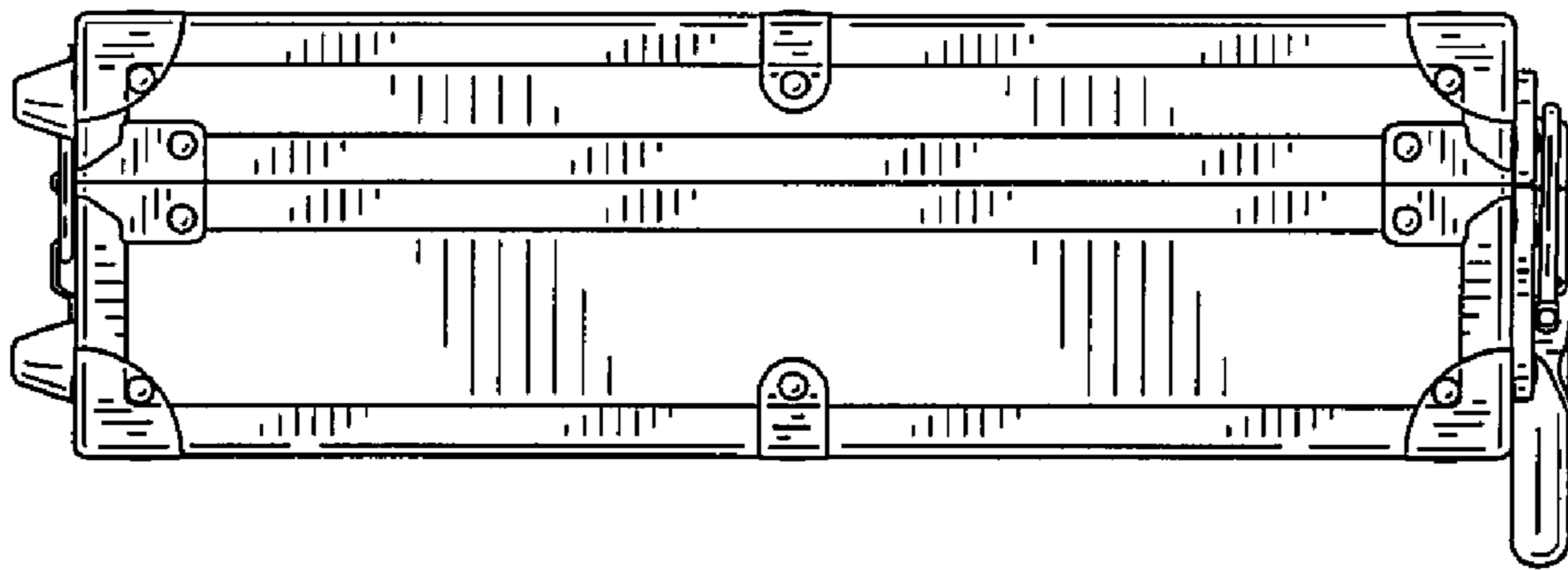


FIG. 5

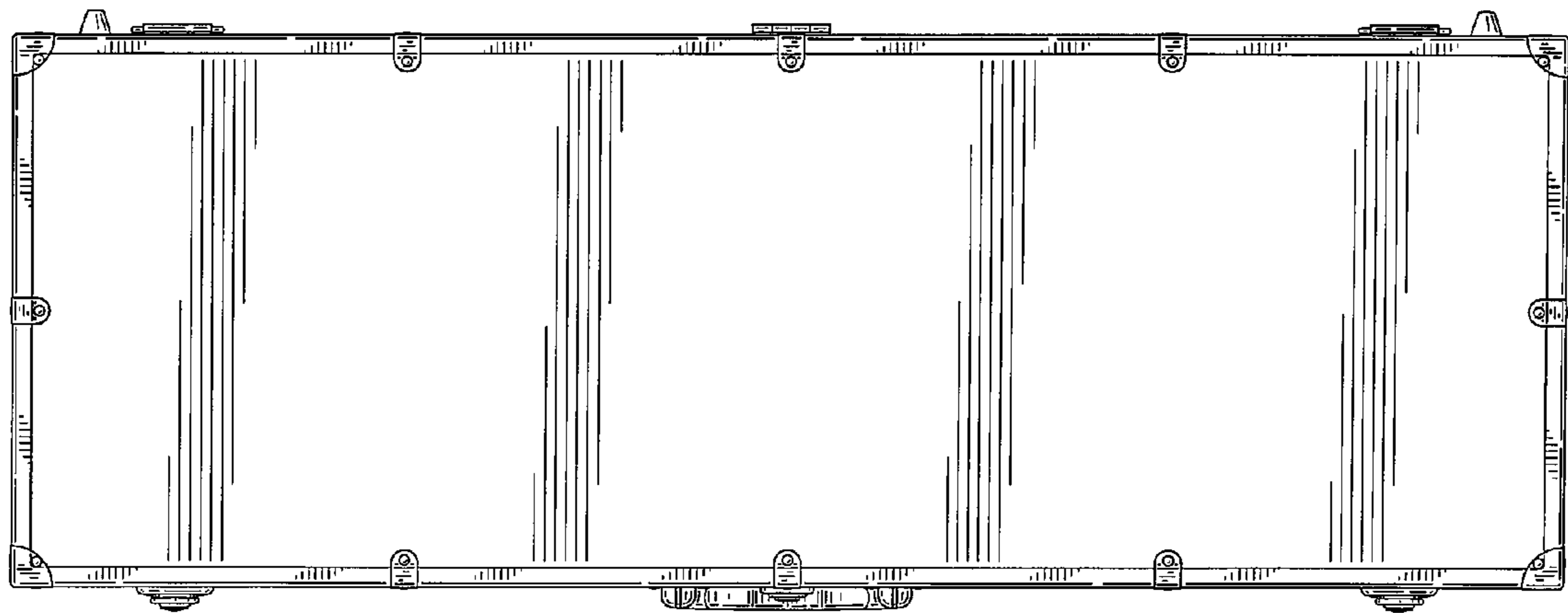


FIG. 6

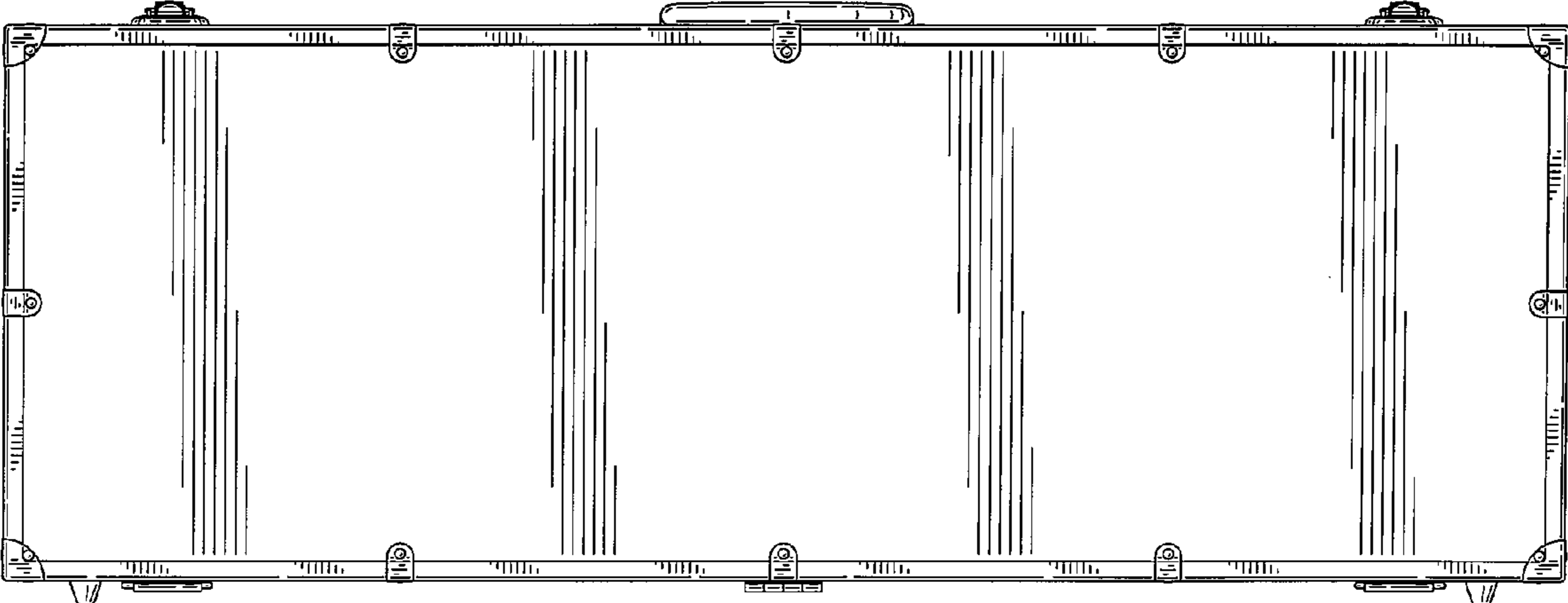


FIG. 7

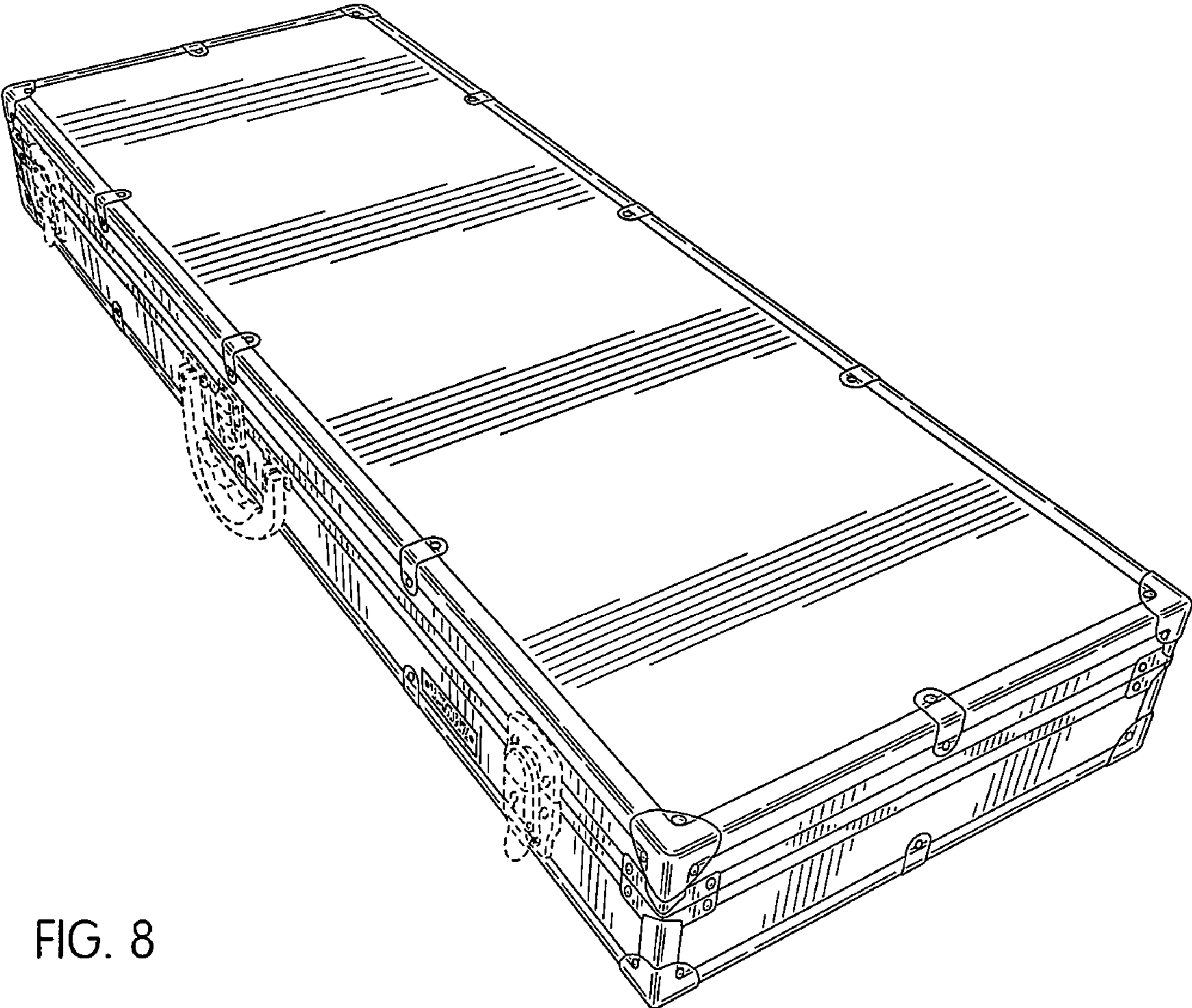


FIG. 8

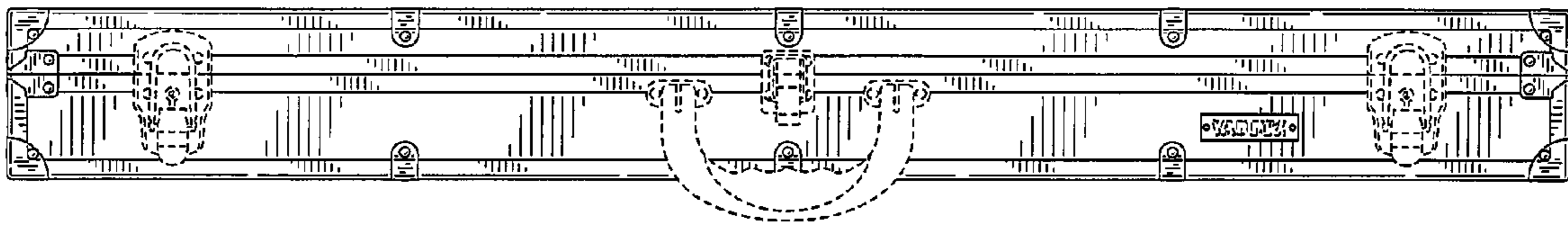


FIG. 9

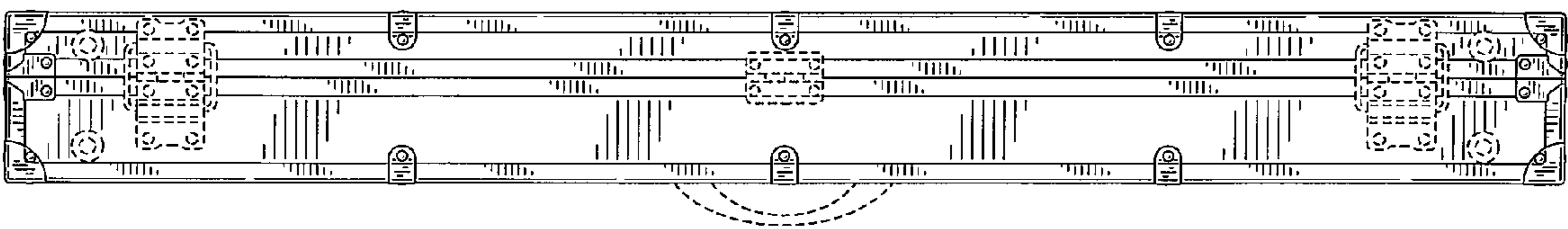


FIG. 10

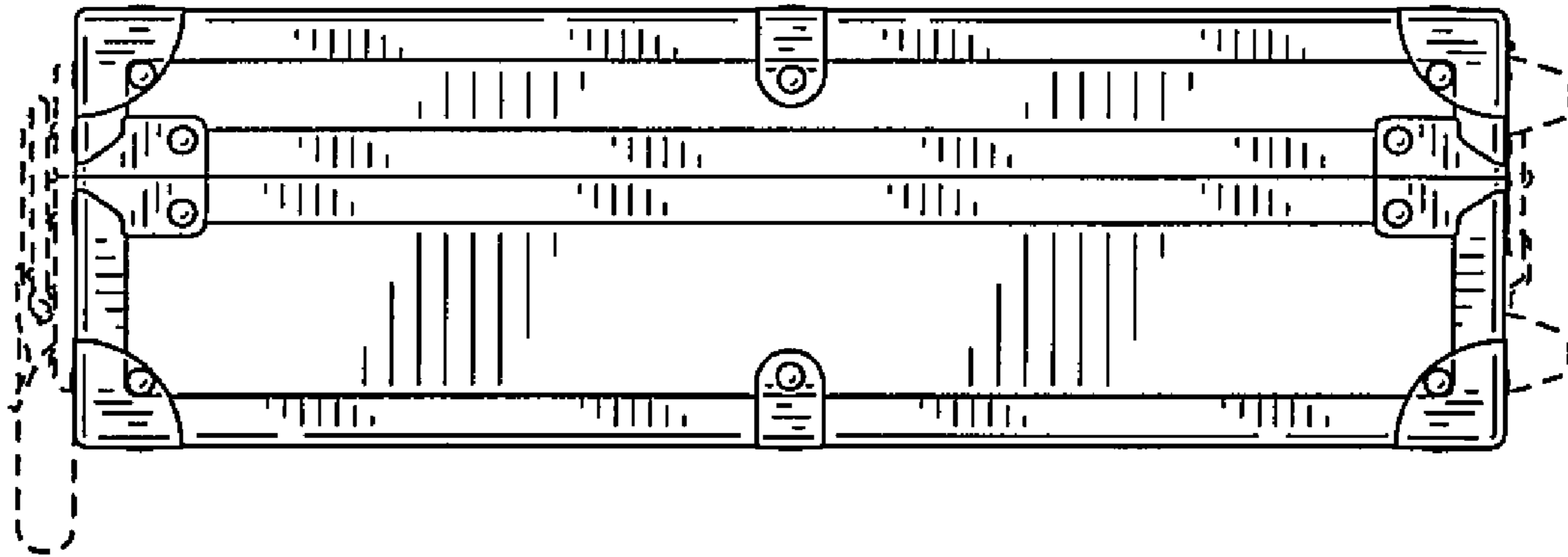


FIG. 11

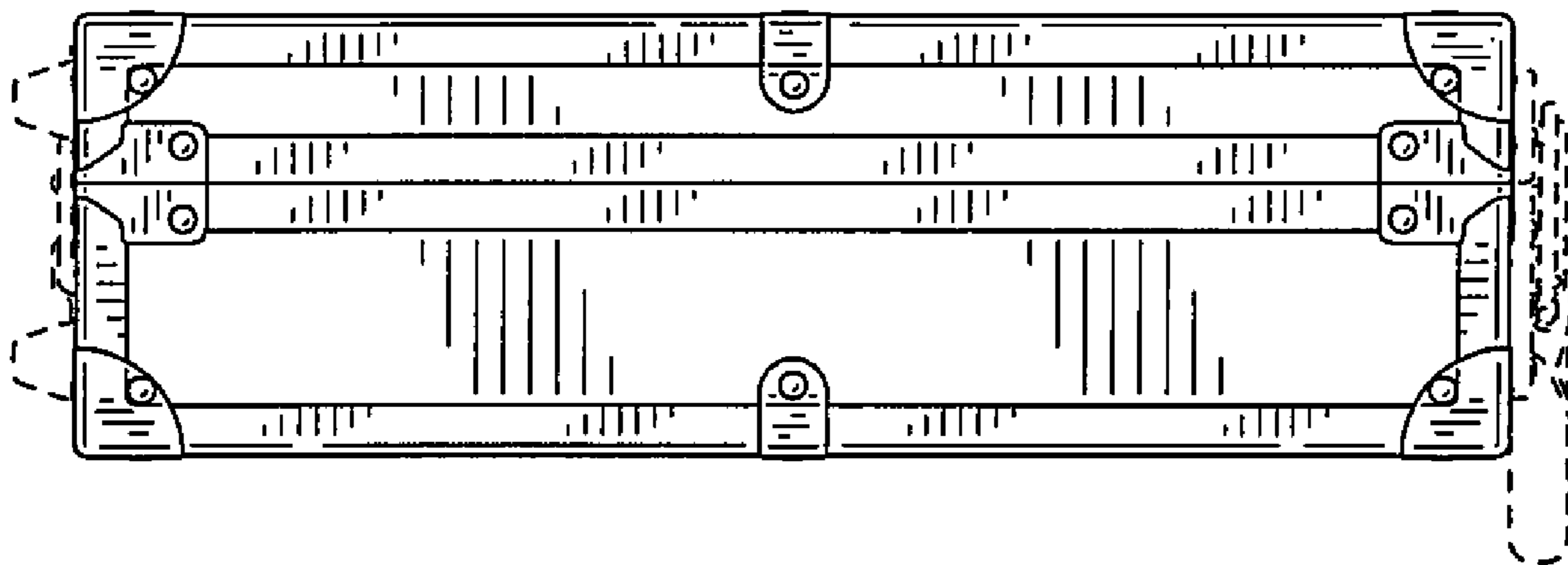


FIG. 12

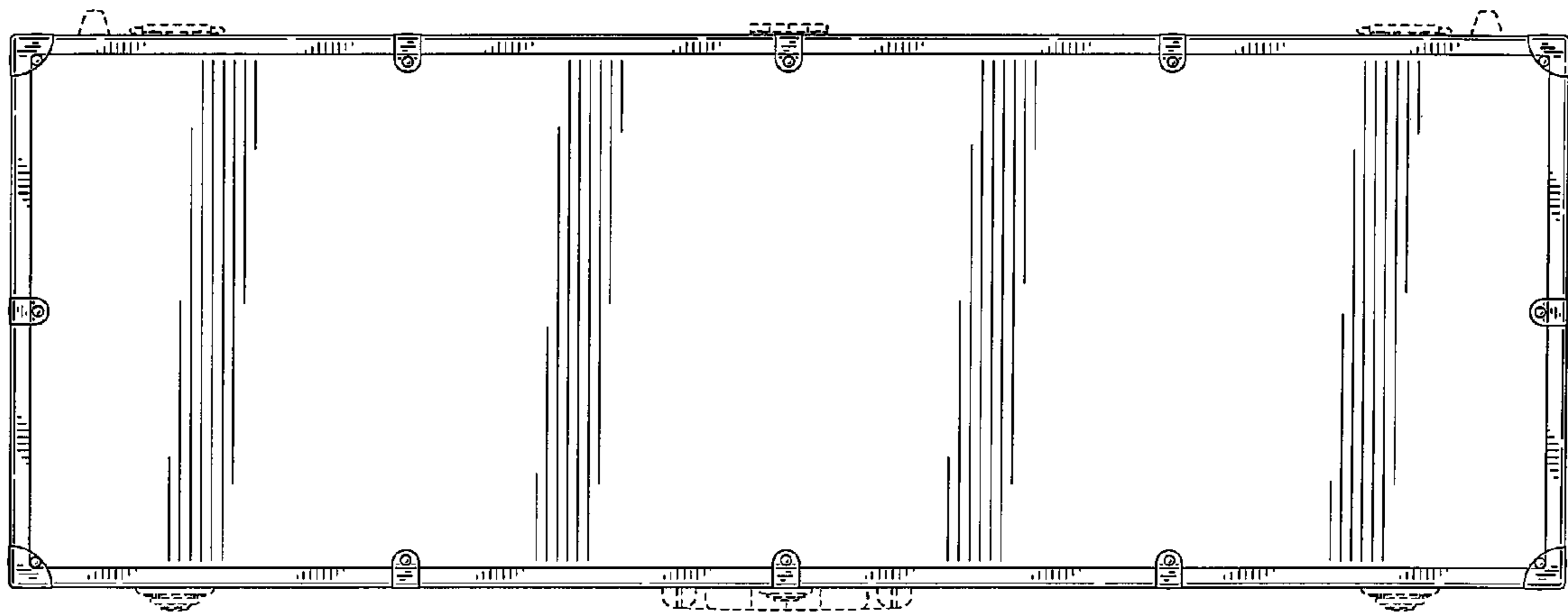


FIG. 13

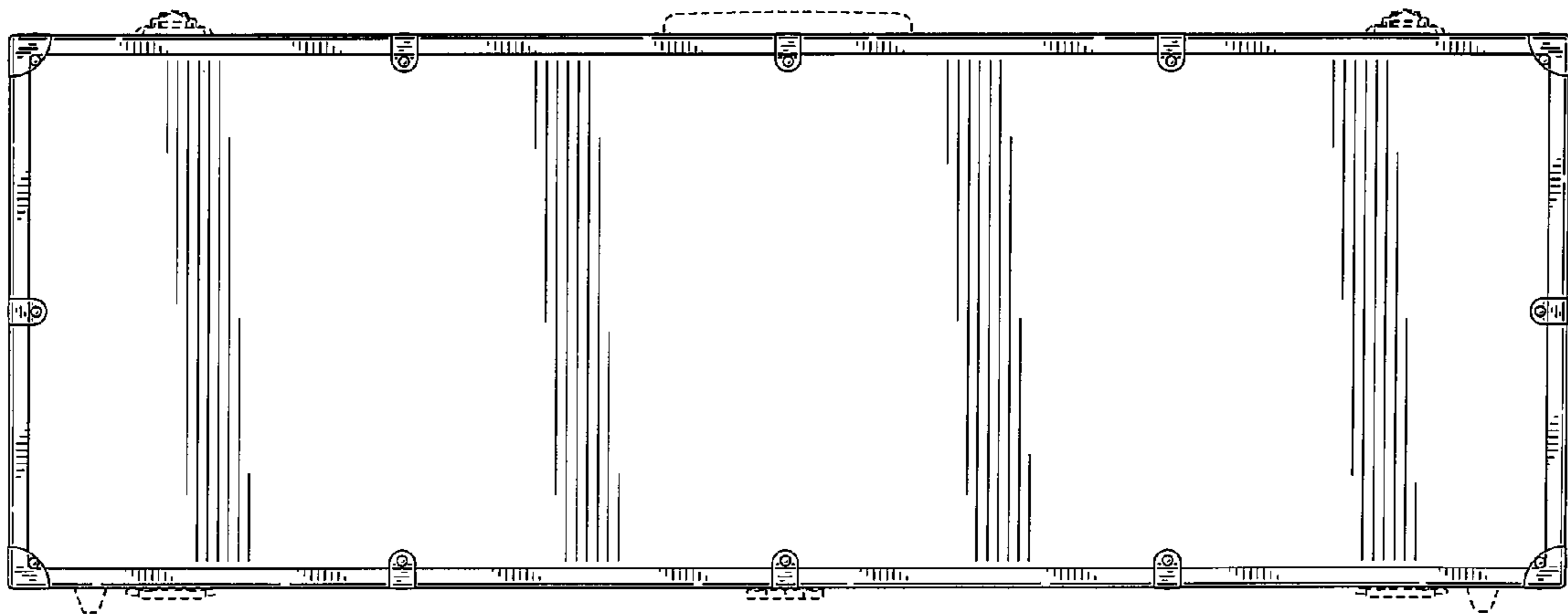


FIG. 14