



US00D642353S

(12) **United States Design Patent**
Li

(10) **Patent No.:** **US D642,353 S**

(45) **Date of Patent:** **** Jul. 26, 2011**

(54) **ROBOT**

(75) Inventor: **Hai-Yuan Li**, Shenzhen (CN)

(73) Assignee: **Hon Hai Precision Industry Co., Ltd.**,
Tu-Cheng, New Taipei (TW)

(**) Term: **14 Years**

(21) Appl. No.: **29/377,657**

(22) Filed: **Oct. 25, 2010**

(30) **Foreign Application Priority Data**

Aug. 30, 2010 (CN) 2010 3 0293035

(51) **LOC (9) Cl.** **12-05**

(52) **U.S. Cl.** **D34/28**

(58) **Field of Classification Search** D34/28,
D34/29, 35; 198/771, 866, 890, 867, 890.1,
198/370.1, 370.04, 782, 722; 294/88, 1.1,
294/65.5; 193/35 A, 35 C

See application file for complete search history.

(56) **References Cited**

U.S. PATENT DOCUMENTS

2,760,809 A * 8/1956 Mallin 294/65.5
3,486,784 A * 12/1969 Ejlertsen 294/65.5
3,533,516 A * 10/1970 Guier 414/22.51
3,543,679 A * 12/1970 Wahl 101/35
D271,341 S * 11/1983 Dehne D34/28

D459,047 S * 6/2002 Tanaka D34/28
6,746,063 B1 * 6/2004 Sanchez 294/65.5
D562,524 S * 2/2008 Hiroki et al. D34/28
2003/0120387 A1 * 6/2003 Sherwin 700/245

* cited by examiner

Primary Examiner — Cynthia Ramirez

(74) *Attorney, Agent, or Firm* — Clifford O. Chi

(57) **CLAIM**

The ornamental design for a robot, as shown and described.

DESCRIPTION

FIG. 1 is a perspective view of a robot showing my new design;

FIG. 2 is a front elevational view thereof;

FIG. 3 is a rear elevational view thereof;

FIG. 4 is a left-side elevational view thereof;

FIG. 5 is a right-side elevational view thereof;

FIG. 6 is a top plan view thereof;

FIG. 7 is a bottom plan view thereof;

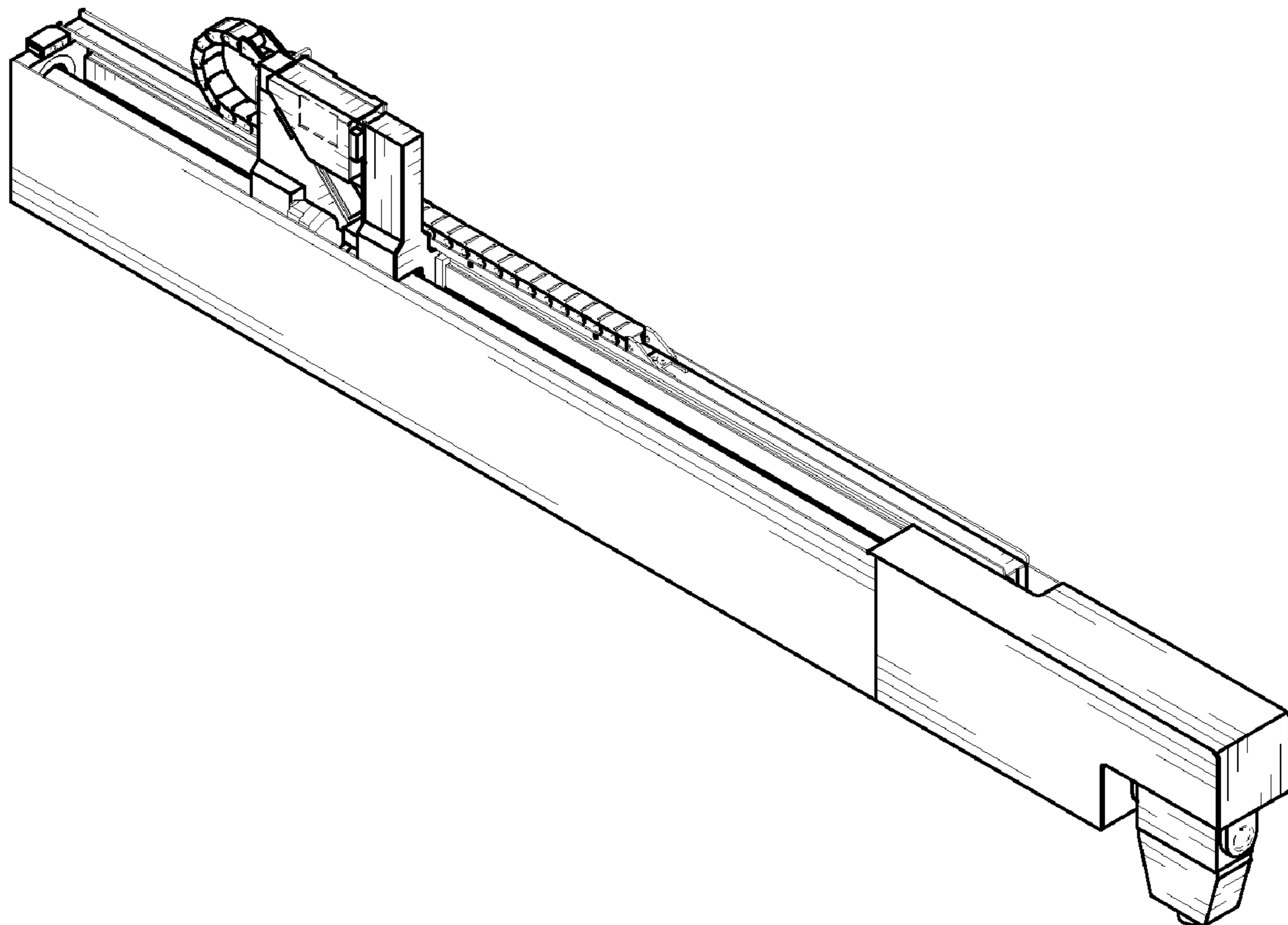
FIG. 8 is a perspective view thereof shown in an alternative position;

FIG. 9 is an enlarged view thereof shown in the FIG. 4; and,

FIG. 10 is an enlarged view thereof shown in the FIG. 5.

The broken lines are for illustrative purposes only and form no part of the claimed design.

1 Claim, 10 Drawing Sheets



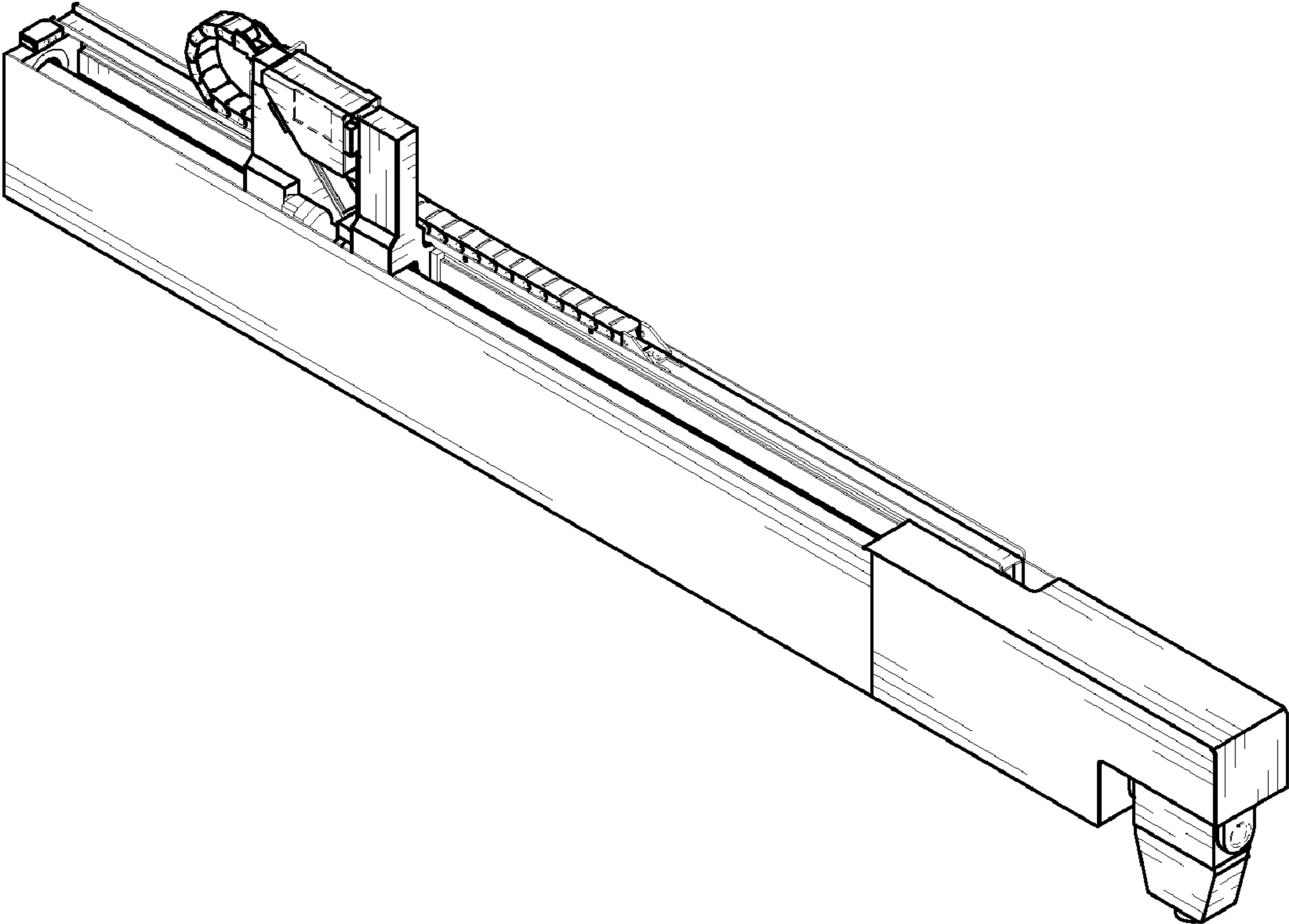


FIG. 1

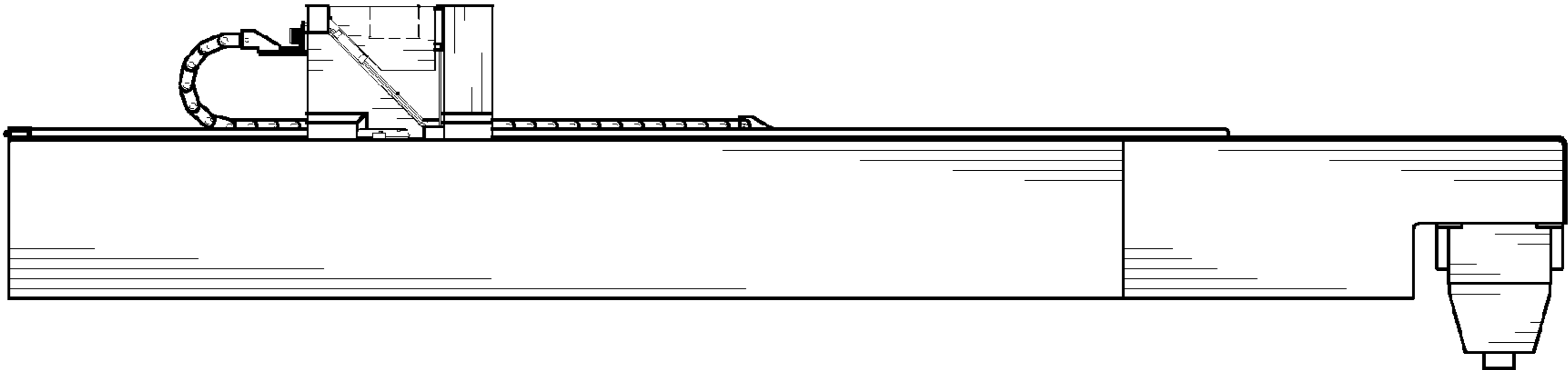


FIG. 2

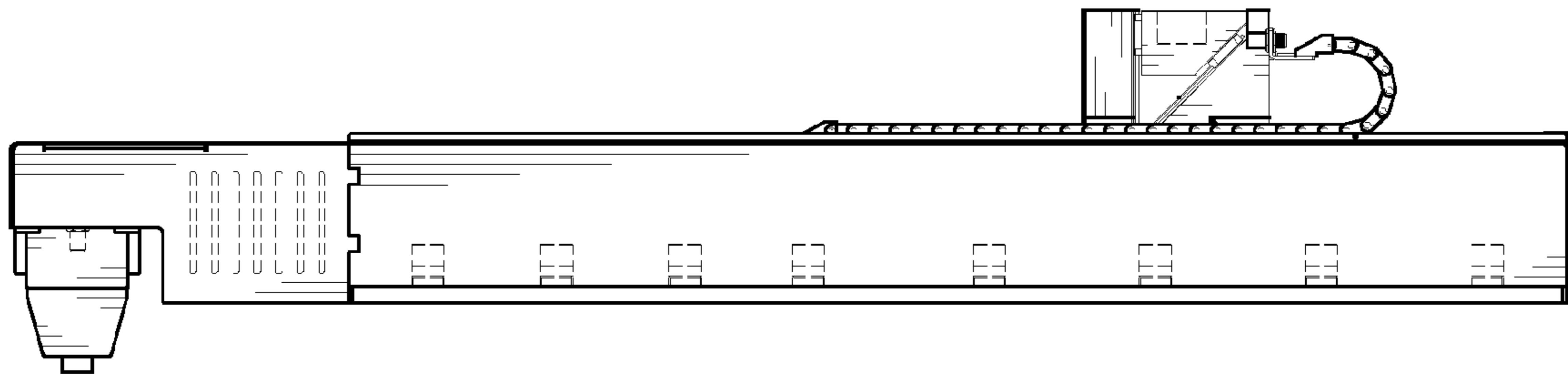


FIG. 3

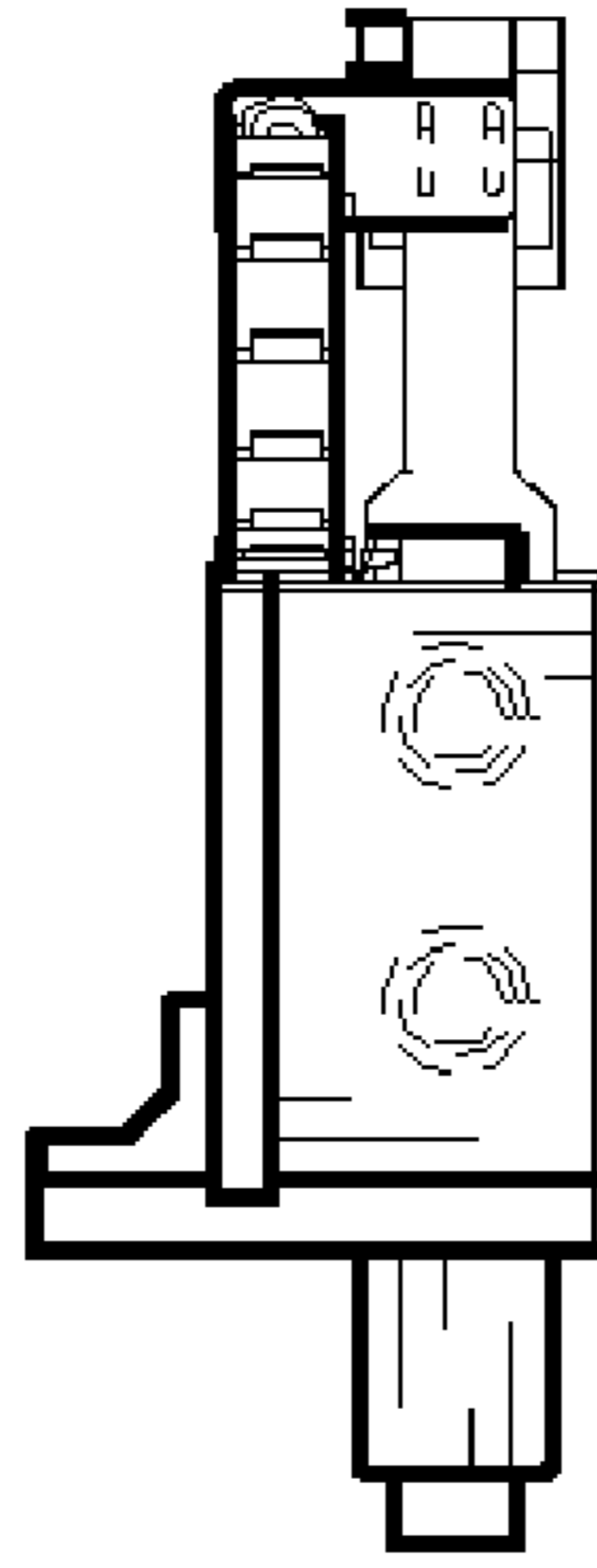


FIG. 4

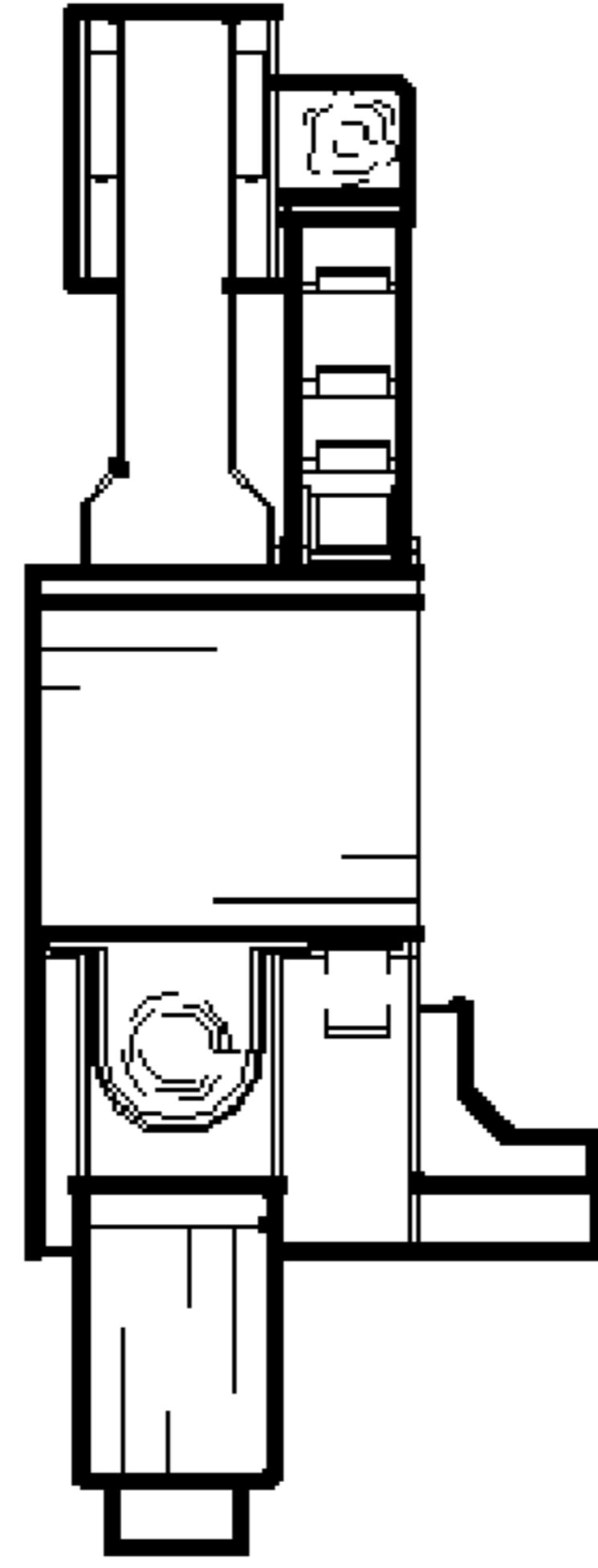


FIG. 5

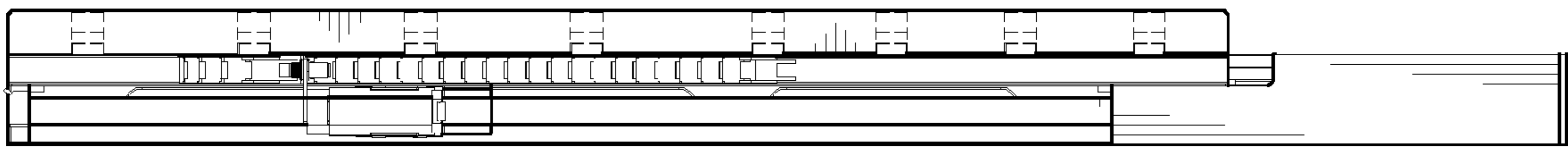


FIG. 6



FIG. 7

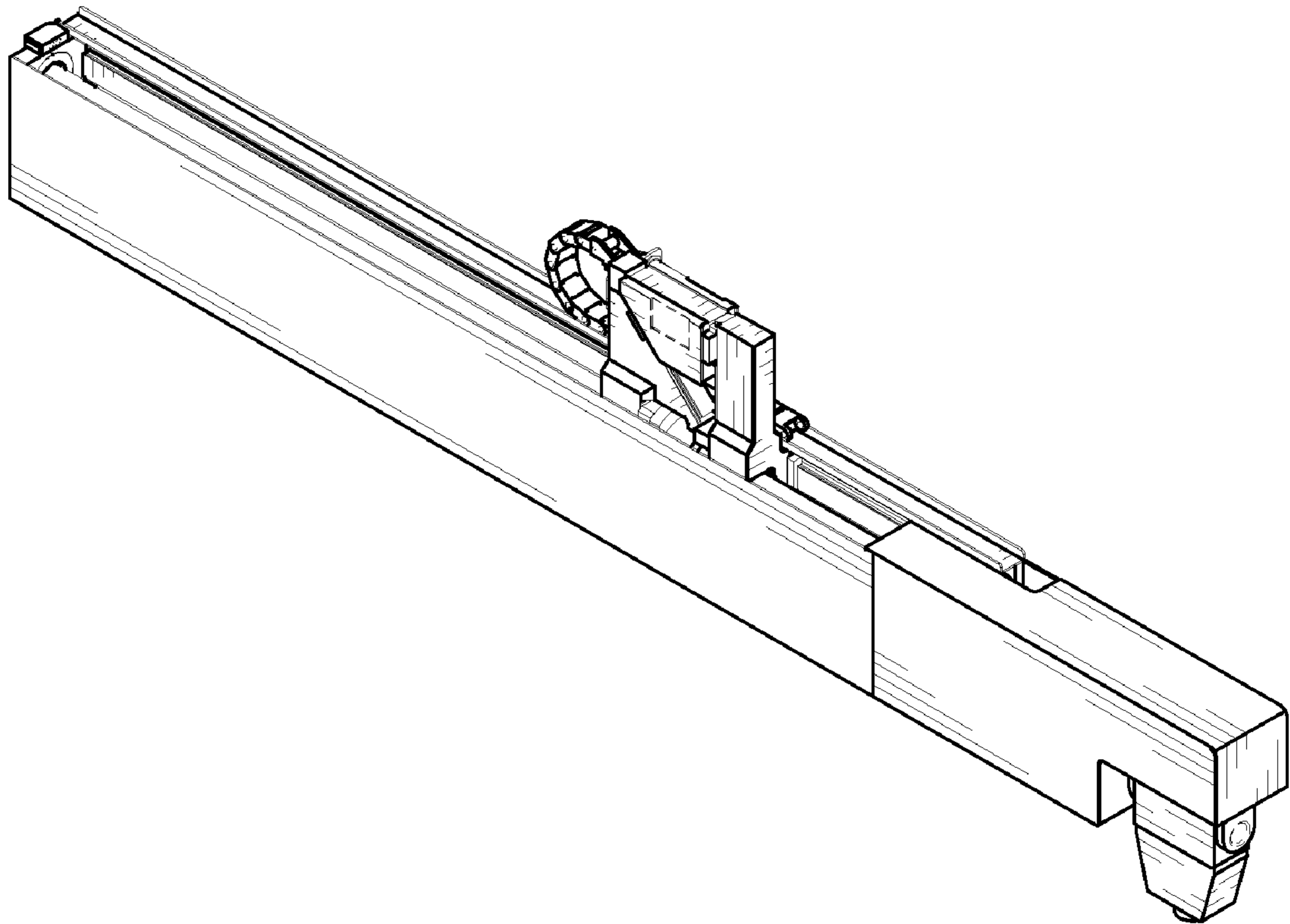


FIG. 8

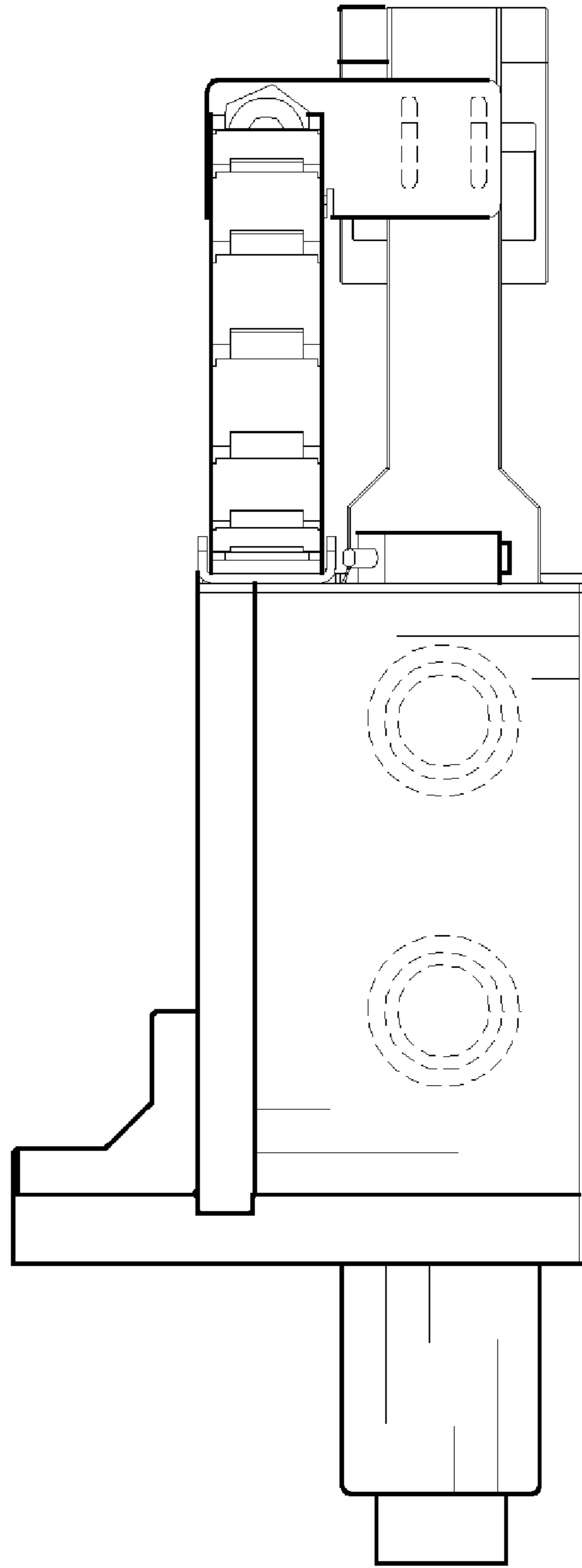


FIG. 9

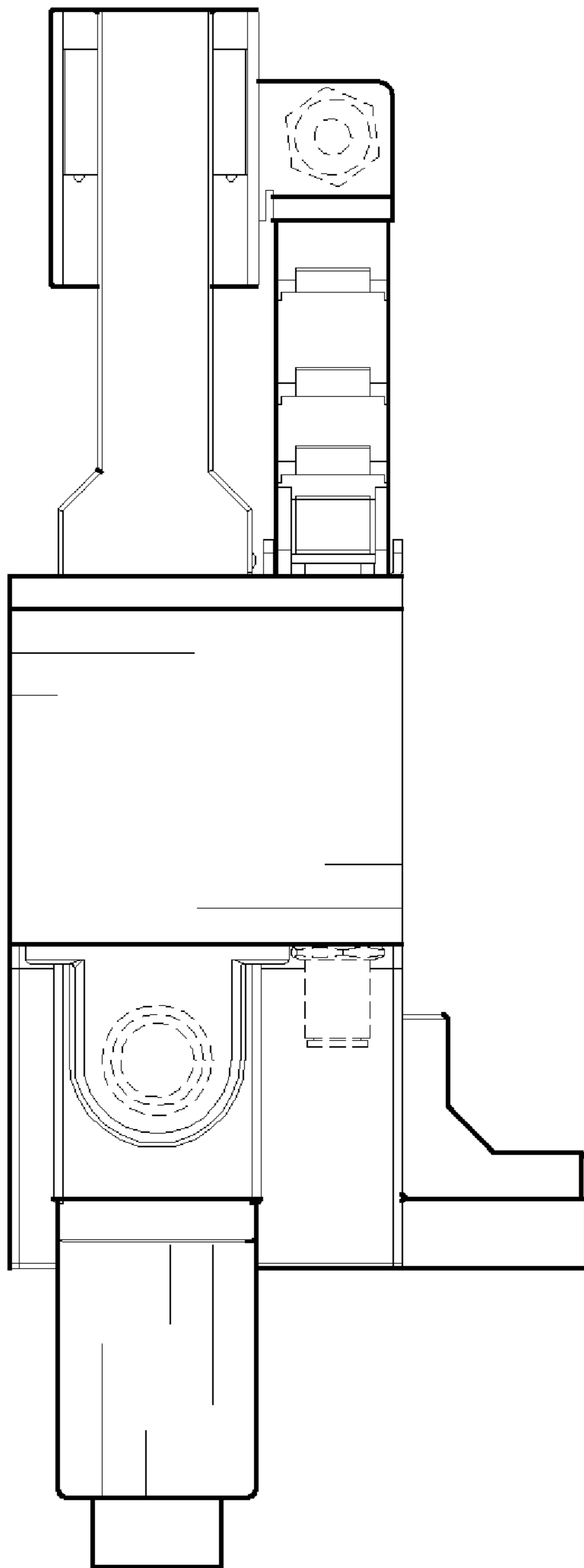


FIG. 10