



US00D642351S

(12) **United States Design Patent**
Bozzo

(10) **Patent No.:** **US D642,351 S**
(45) **Date of Patent:** **** Jul. 26, 2011**

(54) **UTILITY CART**

(76) Inventor: **Romolo Bozzo**, Hamilton (CA)

(**) Term: **14 Years**

(21) Appl. No.: **29/378,757**

(22) Filed: **Nov. 9, 2010**

(51) **LOC (9) Cl.** **12-02**

(52) **U.S. Cl.** **D34/24**

(58) **Field of Classification Search** D34/12-27;
280/651, 654, 653, 43.1, 63, 66, 47.34
See application file for complete search history.

(56) **References Cited**

U.S. PATENT DOCUMENTS

D192,557 S *	4/1962	Gatewood	D34/26
D241,303 S *	9/1976	Sendel	D8/14
D241,925 S *	10/1976	Adams	D34/26
4,580,730 A *	4/1986	Amerine	239/687
5,586,778 A *	12/1996	Lindh et al.	280/40
D452,054 S *	12/2001	Chan	D34/15

D471,063 S *	3/2003	Pai	D7/403
D482,170 S *	11/2003	Yang	D34/15
D632,448 S *	2/2011	Simko et al.	D34/12

* cited by examiner

Primary Examiner — Cynthia Ramirez

(57) **CLAIM**

The ornamental design for a utility cart, as shown and described.

DESCRIPTION

FIG. 1 is a front perspective view of a utility cart.
 FIG. 2 is a rear perspective view of the utility cart shown in FIG. 1.
 FIG. 3 is a front elevational view of the utility cart shown in FIG. 1.
 FIG. 4 is a rear elevational view of the utility cart shown in FIG. 1.
 FIG. 5 is a right side elevational view of the utility cart shown in FIG. 1; and,
 FIG. 6 is a left side elevational view of the utility cart shown in FIG. 1.

1 Claim, 6 Drawing Sheets

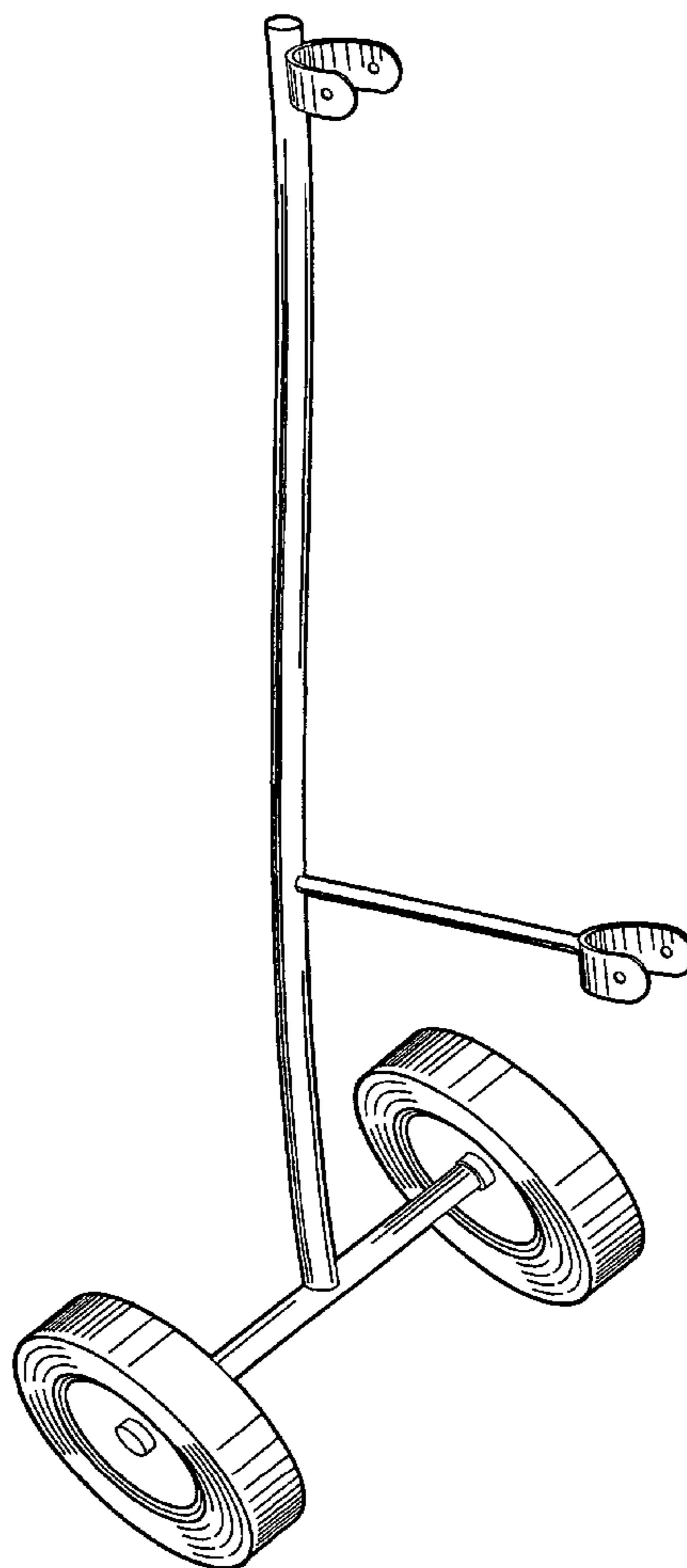


Fig. 1

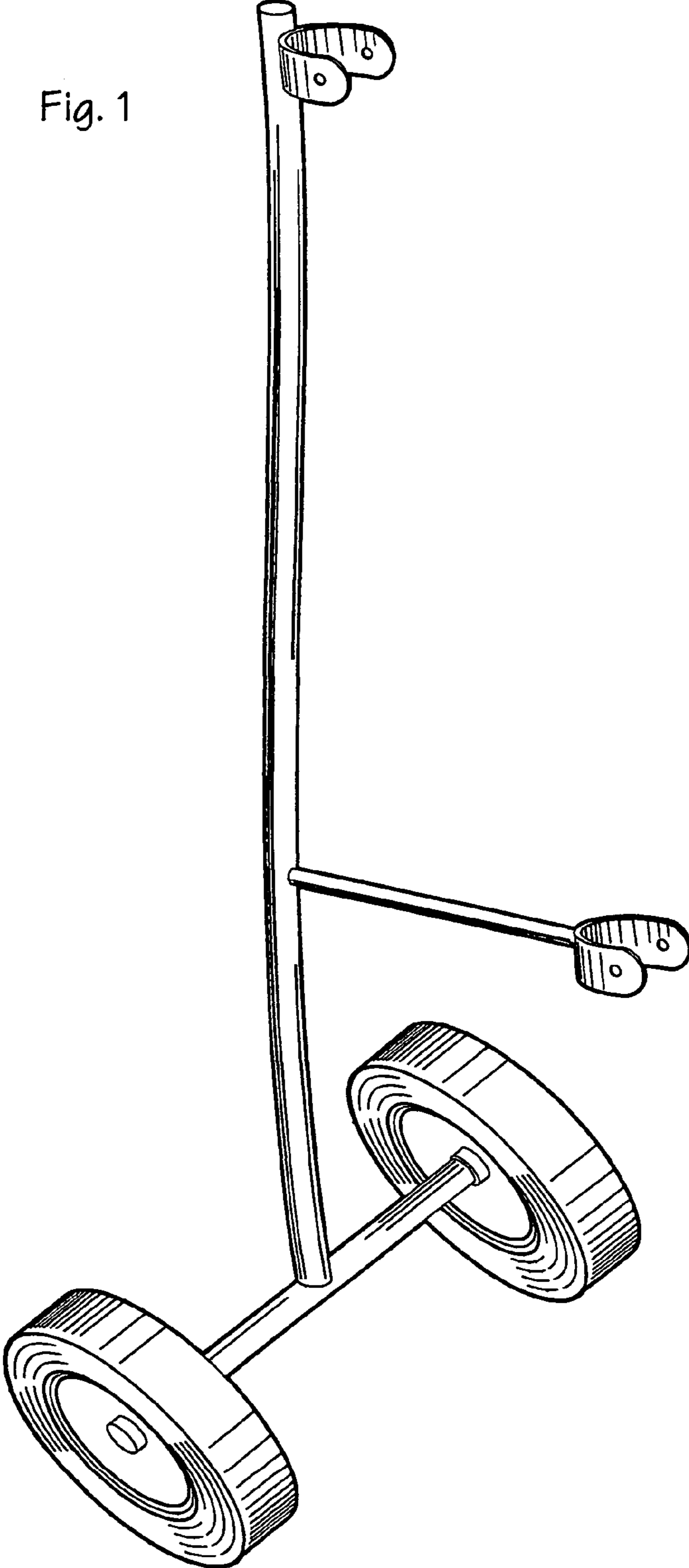


Fig. 2

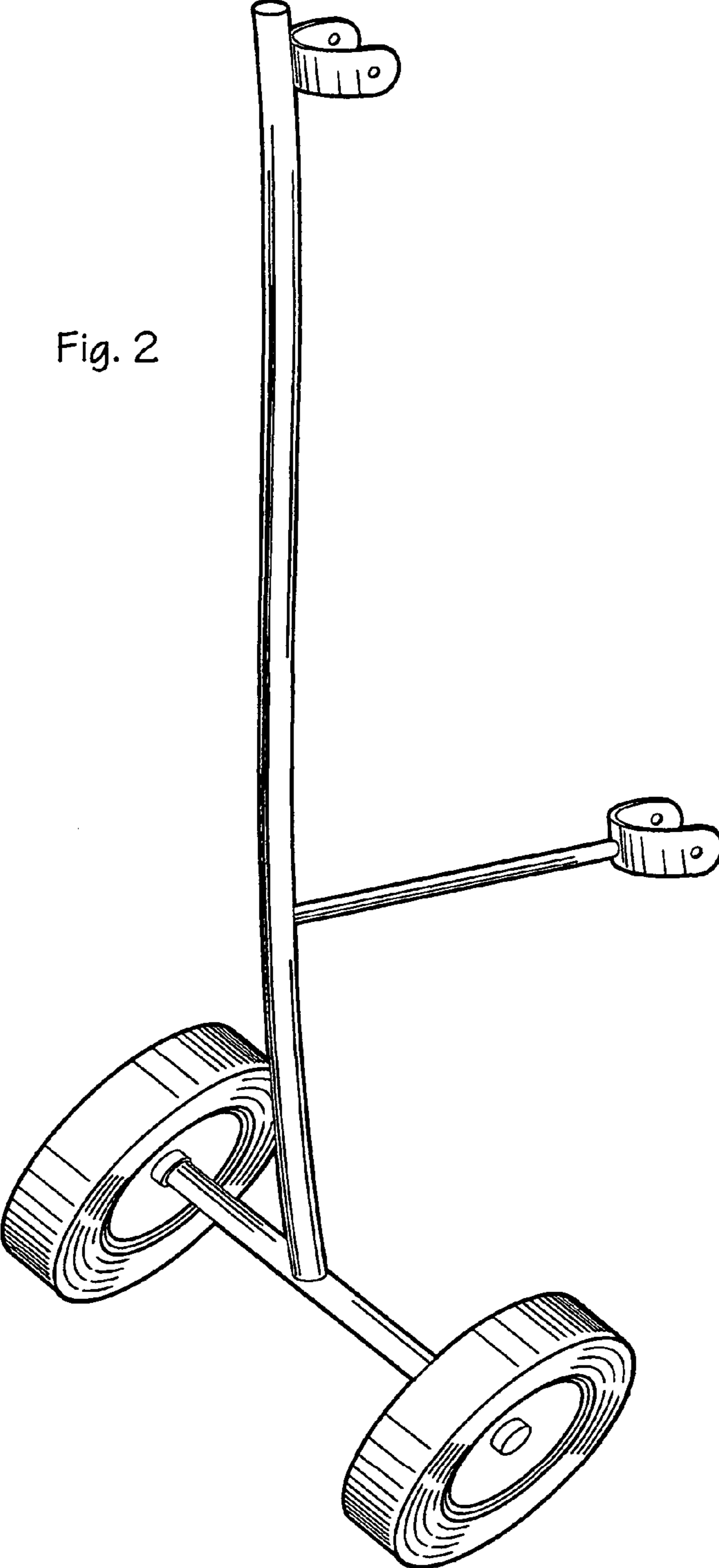
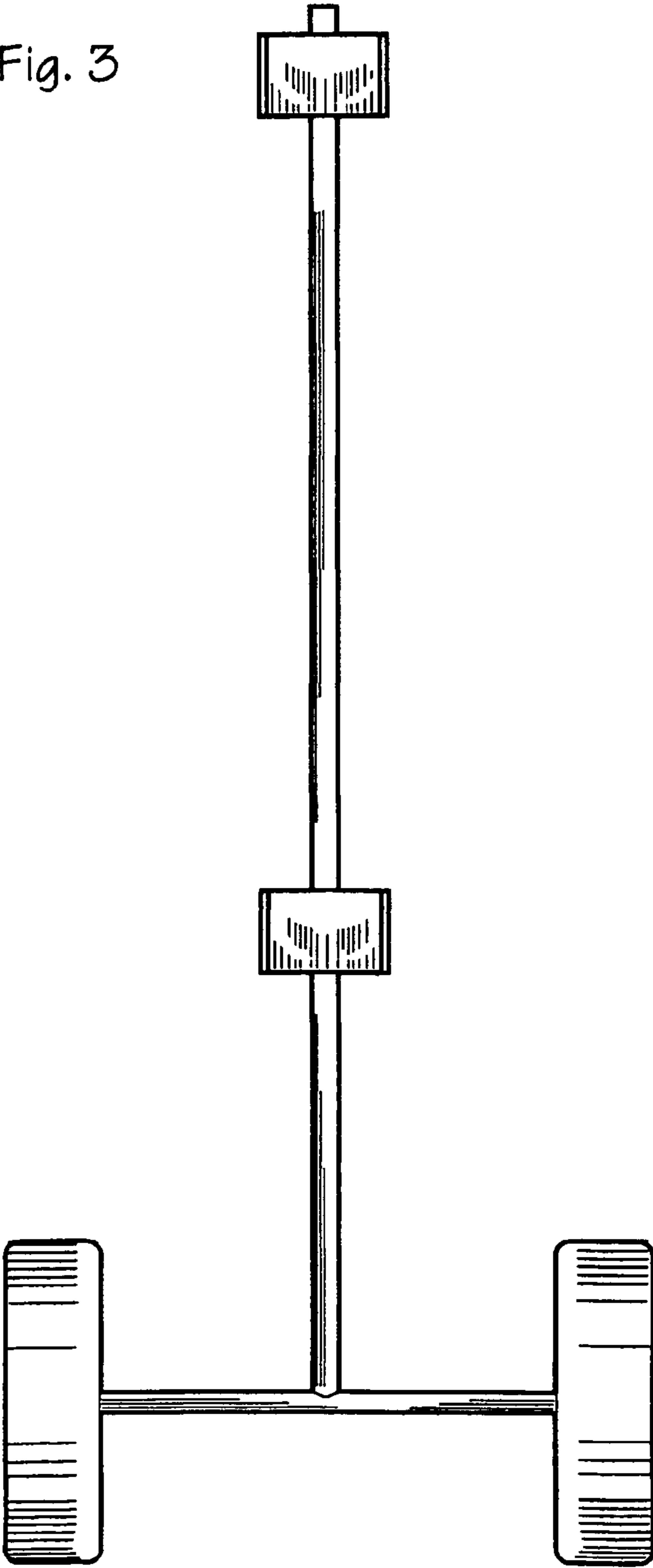


Fig. 3



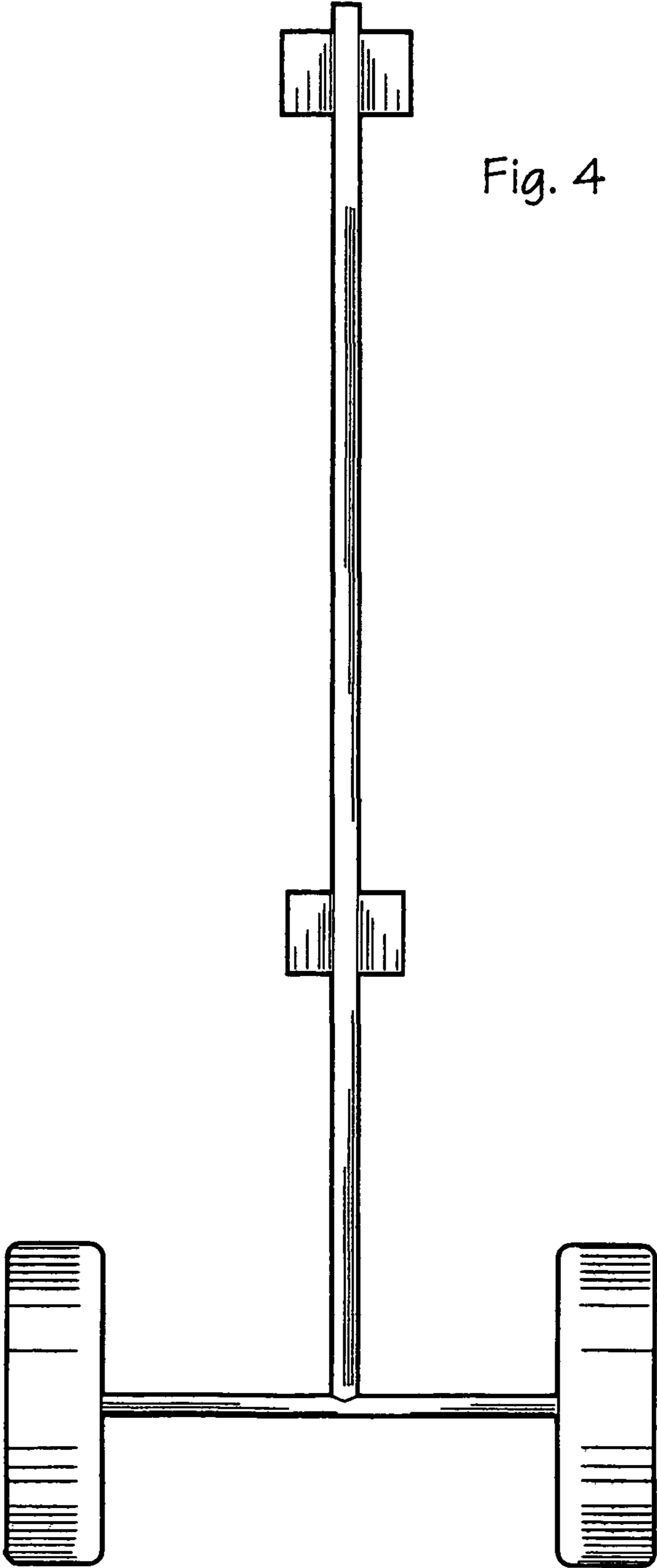


Fig. 4

Fig. 5

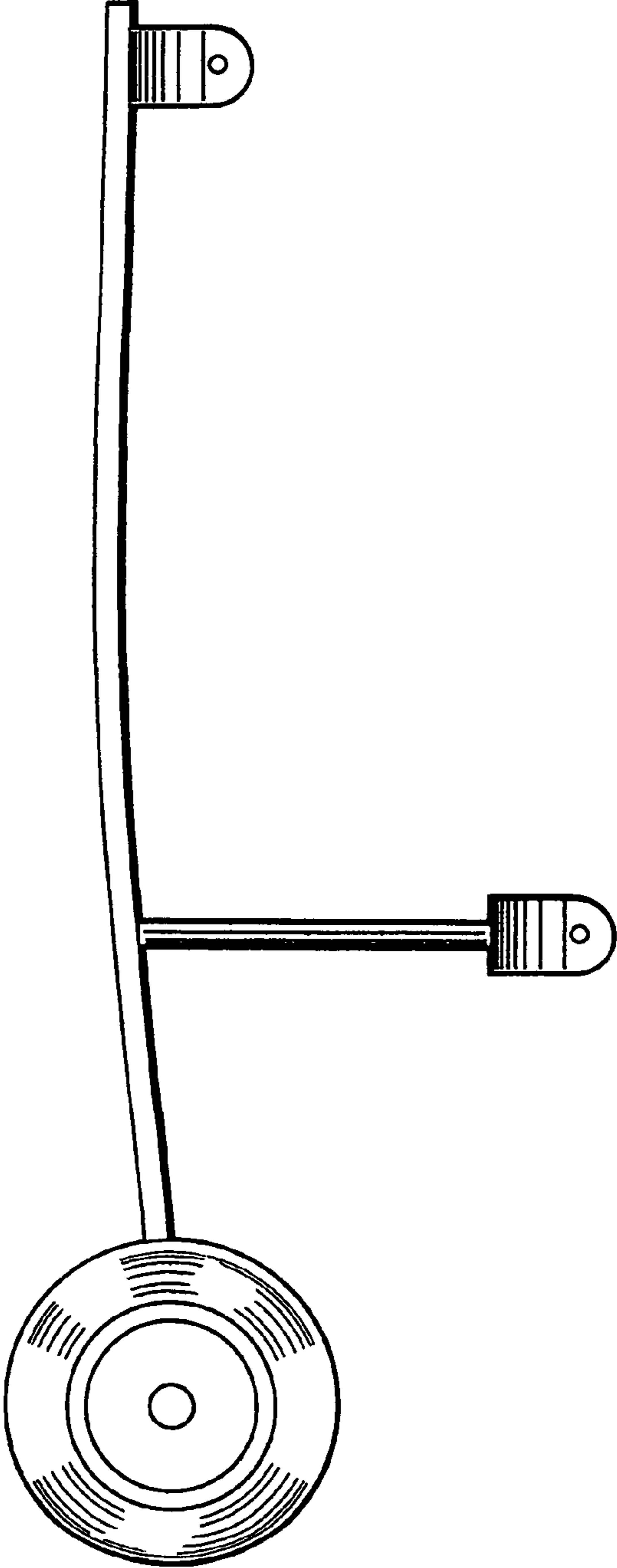


Fig. 6

