

US00D642349S

(12) **United States Design Patent**
Palmer

(10) **Patent No.:** **US D642,349 S**

(45) **Date of Patent:** **** Jul. 26, 2011**

(54) **CURVED PAINT BRUSH WIPER FOR POSITIONING ON A PLASTIC PAINT BUCKET**

D415,597 S * 10/1999 Neff D32/54
D446,618 S * 8/2001 Clark D32/54
D498,339 S * 11/2004 Doelling D32/54

* cited by examiner

(76) Inventor: **Clifford B. Palmer**, New Bedford, MA (US)

Primary Examiner — Robin Webster

(74) *Attorney, Agent, or Firm* — William Nitkin

(**) Term: **14 Years**

(57) **CLAIM**

The ornamental design for a curved paint brush wiper for positioning on a plastic paint bucket, as shown and described.

(21) Appl. No.: **29/372,749**

DESCRIPTION

(22) Filed: **Jan. 7, 2011**

(51) **LOC (9) Cl.** **07-07**

(52) **U.S. Cl.** **D32/54**

(58) **Field of Classification Search** D32/53, D32/53.1, 54; 220/694-702, 570

See application file for complete search history.

FIG. 1 is a front elevational view of a curved paint brush wiper for positioning on a plastic paint bucket showing my new design;

FIG. 2 is a rear elevational view thereof;

FIG. 3 is a bottom plan view thereof;

FIG. 4 is a top plan view thereof;

FIG. 5 is a left side elevational view thereof;

FIG. 6 is a right side elevational view thereof; and,

FIG. 7 is a perspective view thereof showing the paint bucket in broken lines.

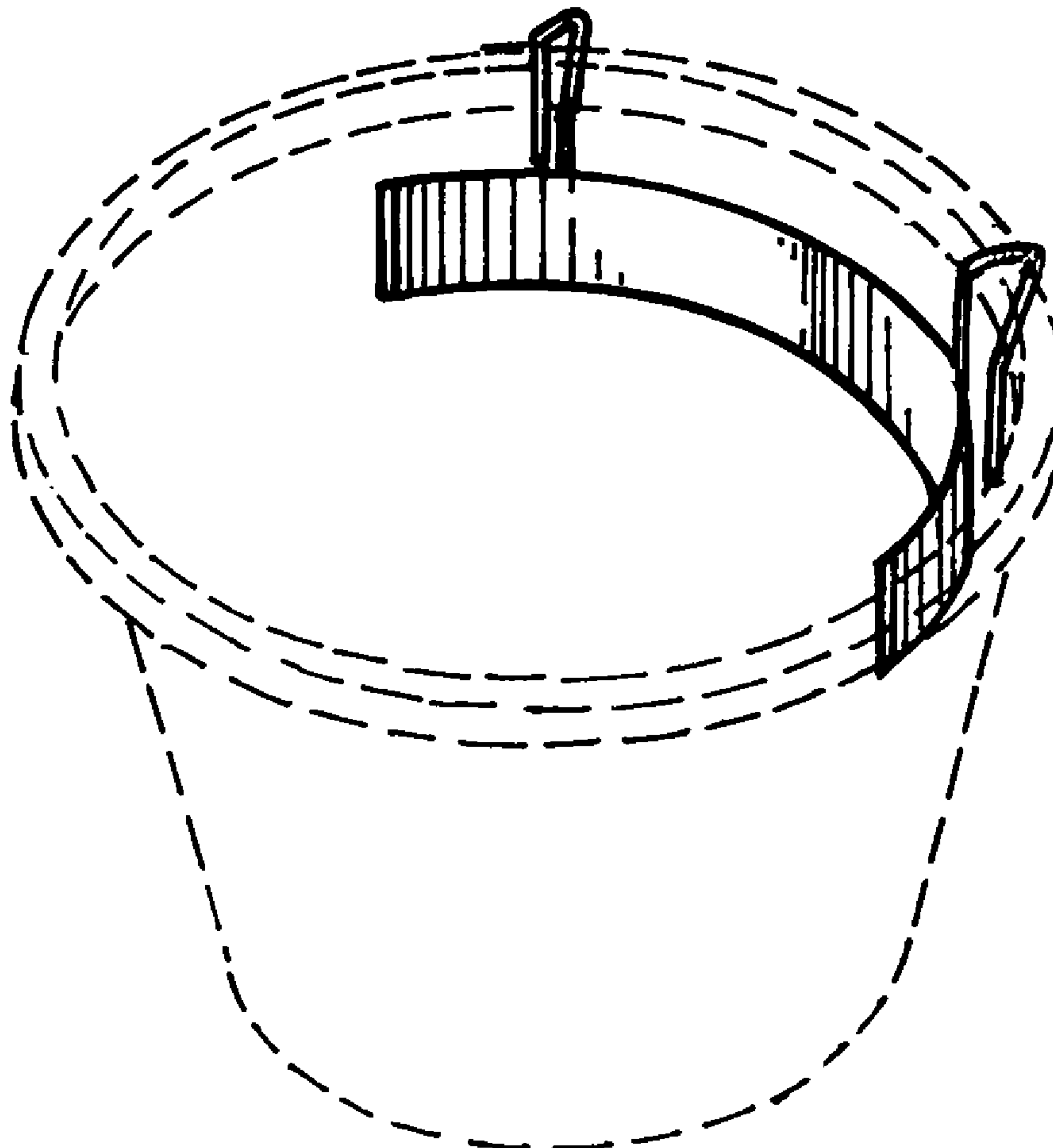
The broken lines are for illustrative purposes only and form no part of the claimed design.

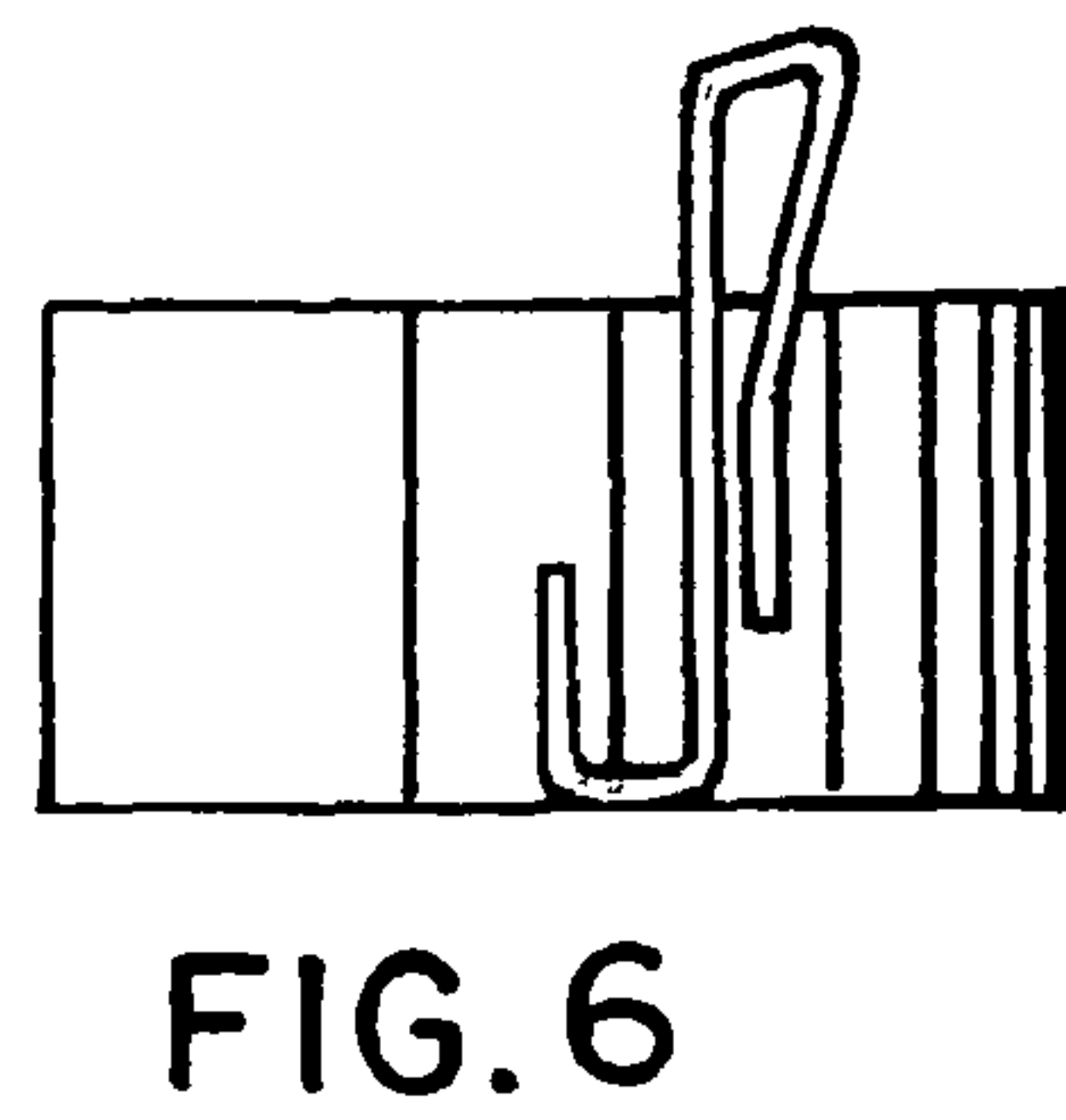
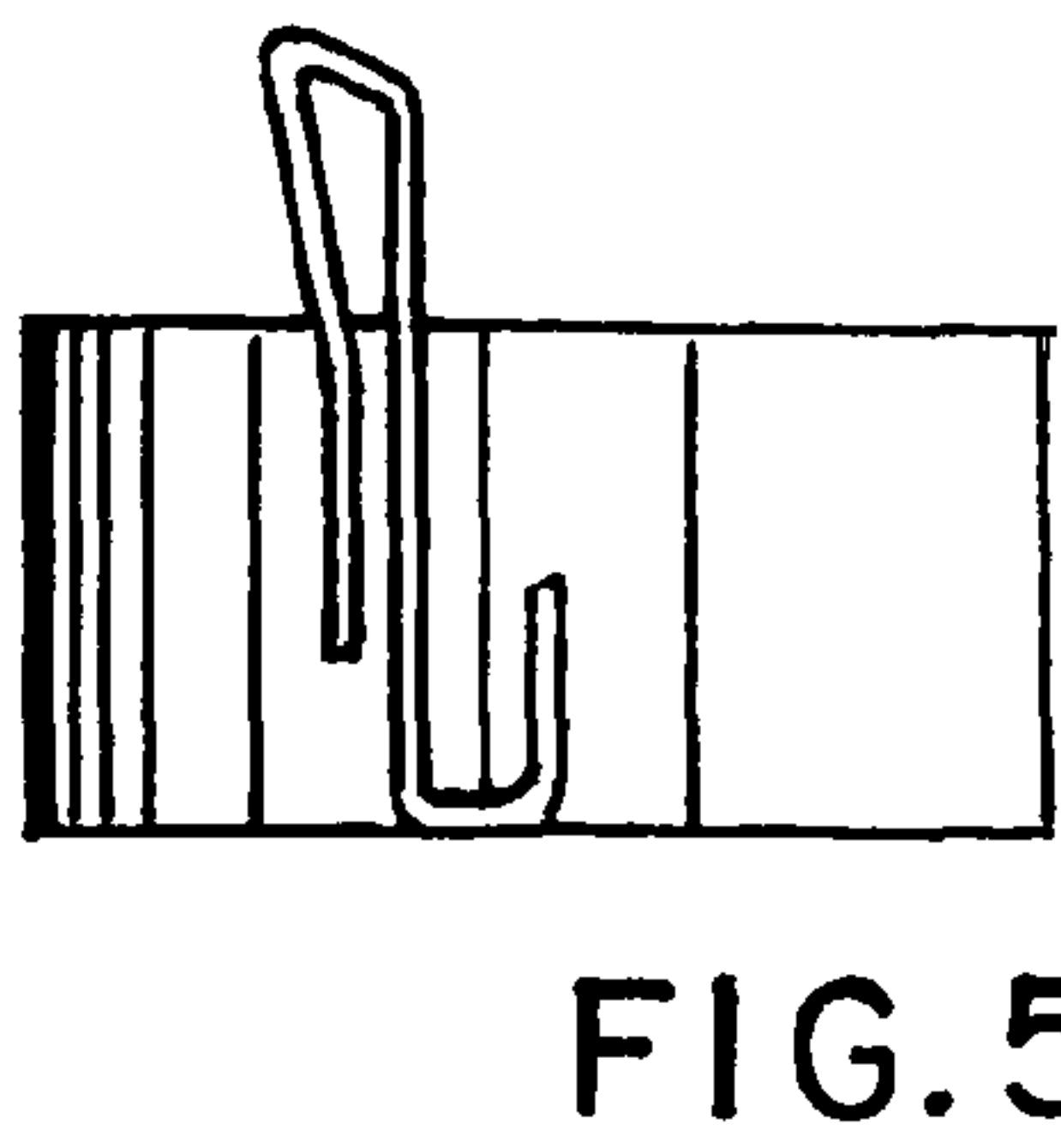
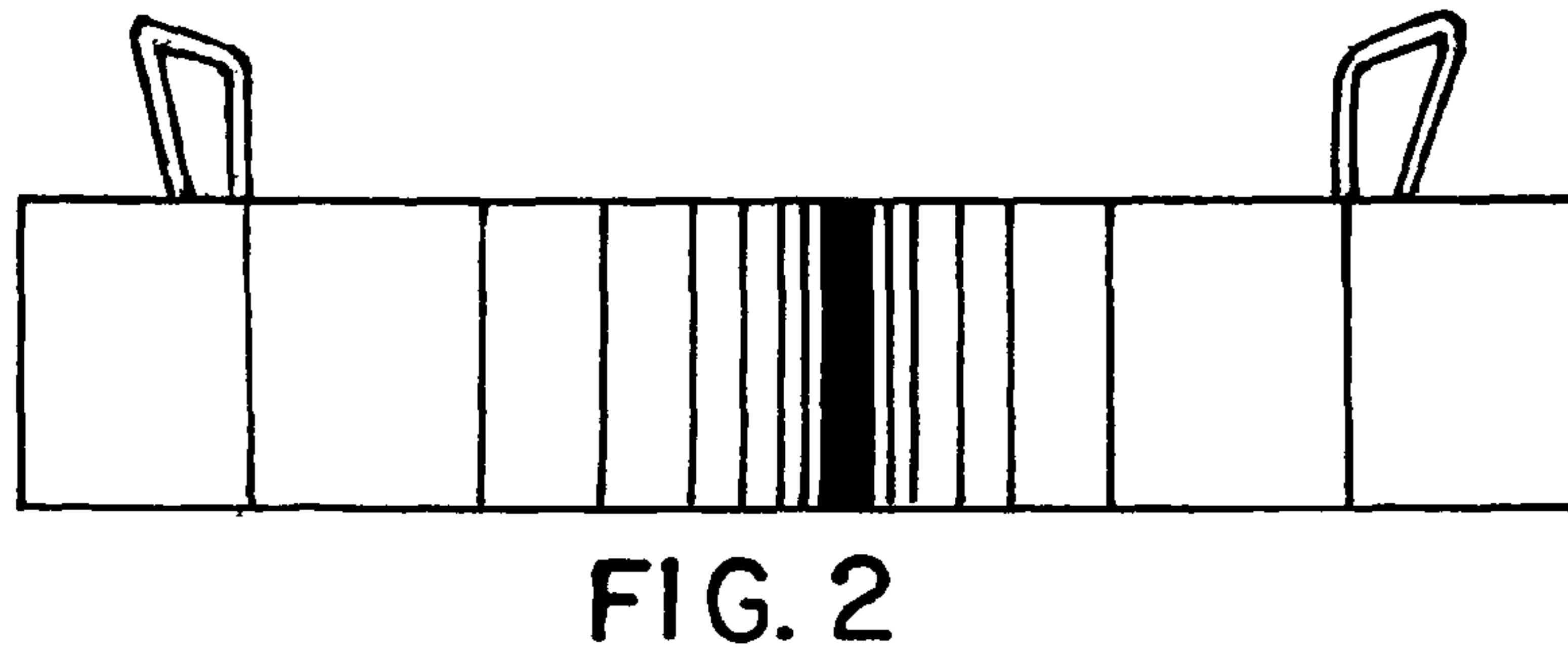
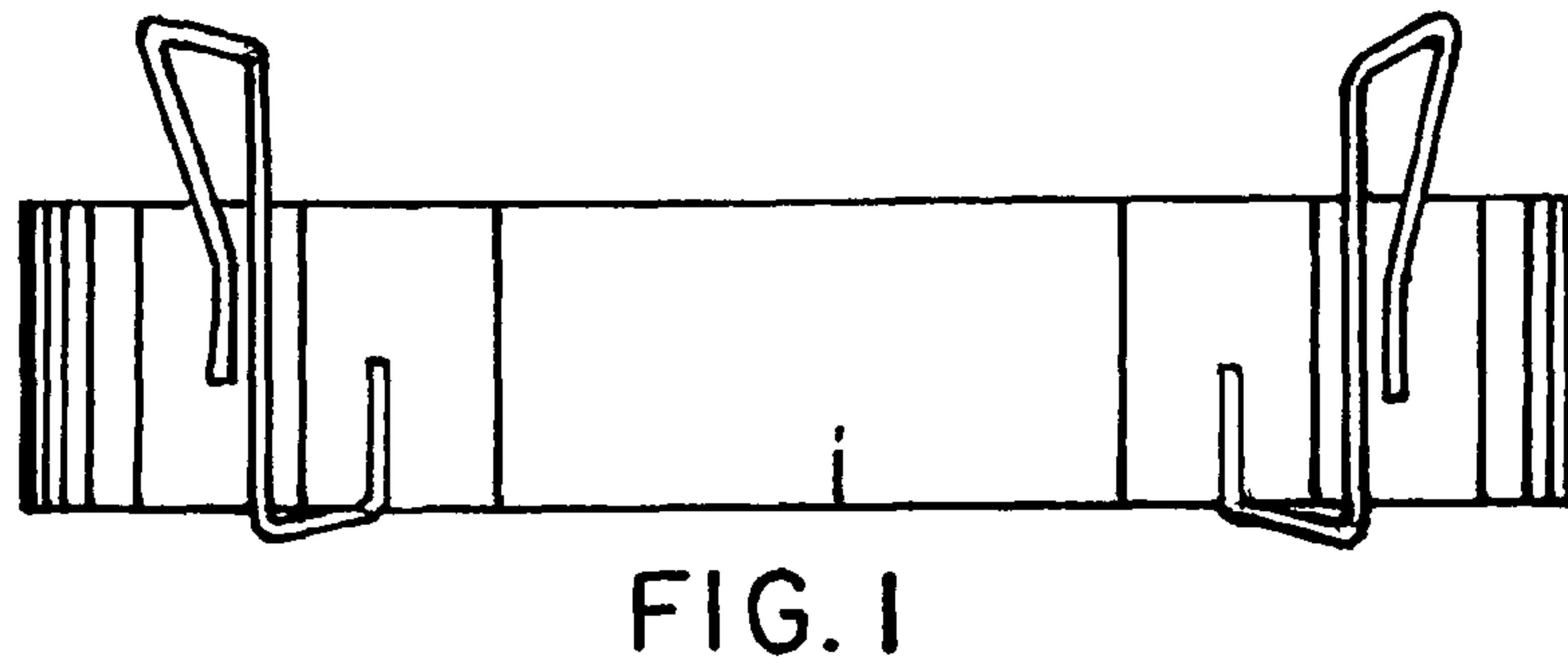
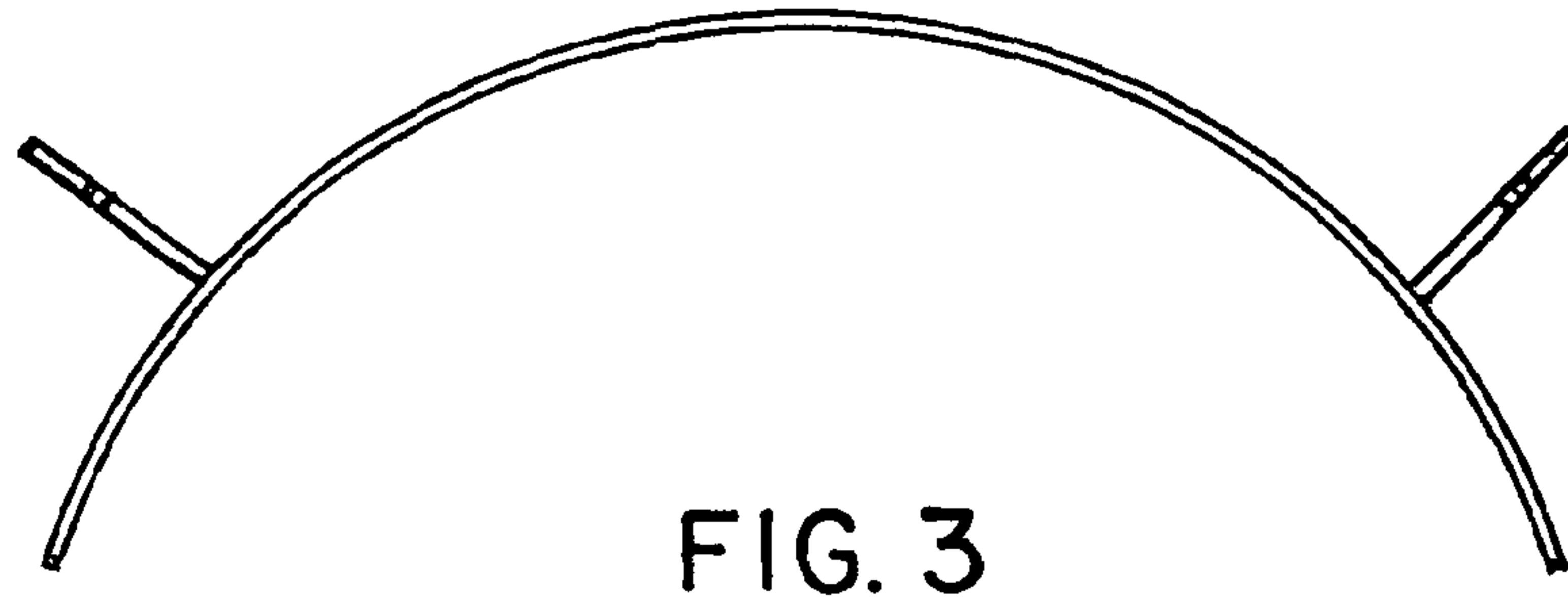
(56) **References Cited**

U.S. PATENT DOCUMENTS

852,256	A *	4/1907	Boyd	220/700
2,852,144	A *	9/1958	Reno	211/65
2,919,828	A *	1/1960	Lemke	220/700
3,291,337	A *	12/1966	Jenkins	220/697
D305,820	S *	1/1990	Beato	D32/54
5,924,593	A *	7/1999	Rutledge et al.	220/695

1 Claim, 3 Drawing Sheets





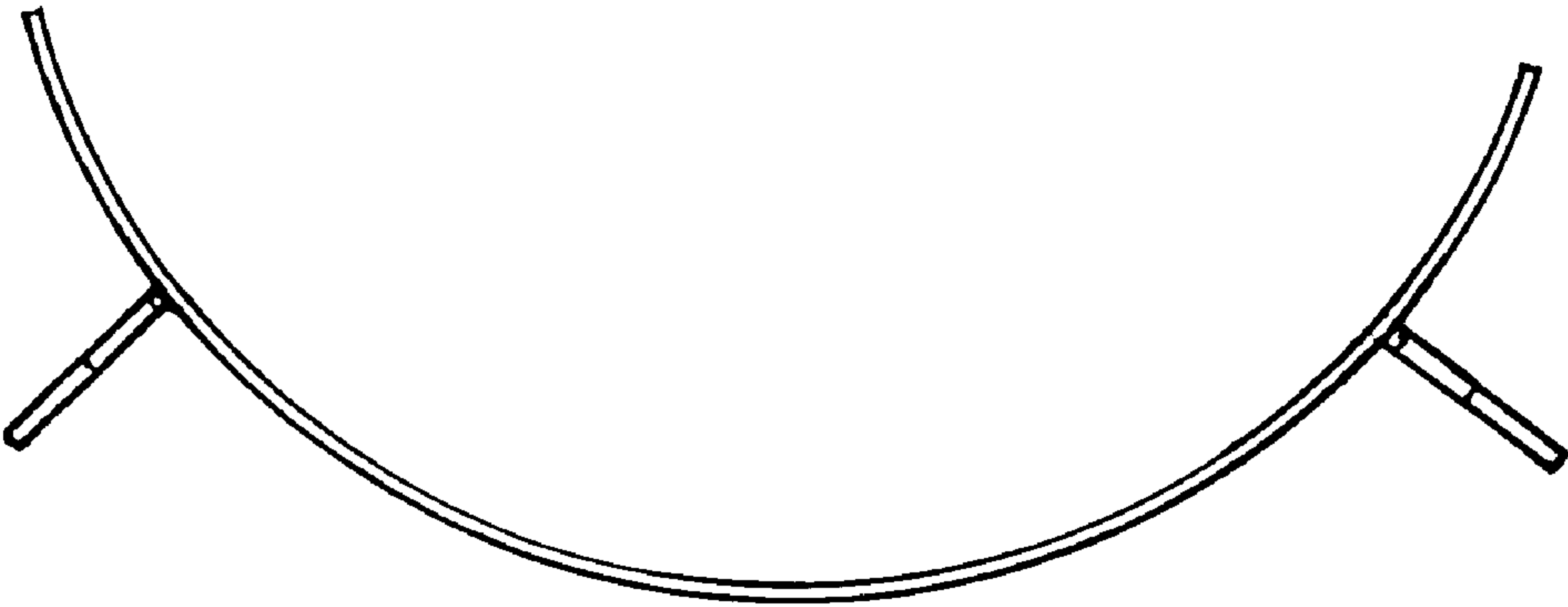


FIG.4

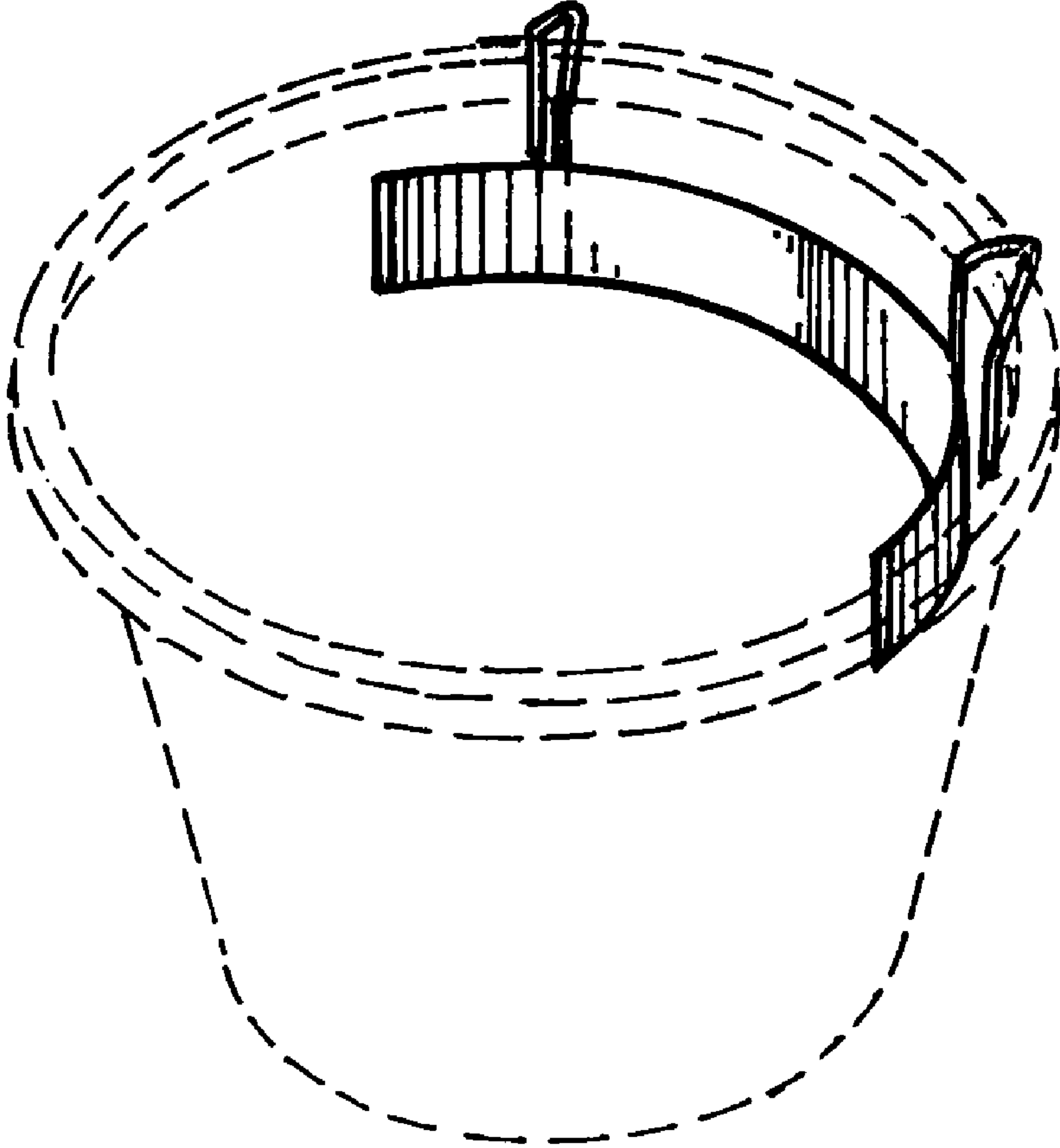


FIG. 7