

US00D642348S

(12) **United States Design Patent**  
**Palmer**

(10) **Patent No.:** **US D642,348 S**

(45) **Date of Patent:** **\*\* Jul. 26, 2011**

(54) **FLAT PAINT BRUSH WIPER FOR POSITIONING ON A PLASTIC PAINT BUCKET**

D415,597 S \* 10/1999 Neff ..... D32/54  
D446,618 S \* 8/2001 Clark ..... D32/54  
D498,339 S \* 11/2004 Doelling ..... D32/54

\* cited by examiner

(76) Inventor: **Clifford B. Palmer**, New Bedford, MA (US)

*Primary Examiner* — Robin Webster

(74) *Attorney, Agent, or Firm* — William Nitkin

(\*\*) Term: **14 Years**

(57) **CLAIM**

(21) Appl. No.: **29/372,747**

The ornamental design for a flat paint brush wiper for positioning on a plastic paint bucket, as shown and described.

(22) Filed: **Jan. 7, 2011**

**DESCRIPTION**

(51) **LOC (9) Cl.** ..... **07-07**

(52) **U.S. Cl.** ..... **D32/54**

(58) **Field of Classification Search** ..... D32/53, D32/53.1, 54; 220/694-702, 570

See application file for complete search history.

FIG. 1 is a front elevational view of a flat paint brush wiper for positioning on a plastic paint bucket showing my new design; FIG. 2 is a rear elevational view thereof; FIG. 3 is a top plan view thereof; FIG. 4 is a bottom plan view thereof; FIG. 5 is a left side elevational view thereof; FIG. 6 is a right side elevational view thereof; and, FIG. 7 is a perspective view thereof showing the paint bucket in broken lines.

The broken lines are for illustrative purposes only and form no part of the claimed design.

(56) **References Cited**

U.S. PATENT DOCUMENTS

852,256	A *	4/1907	Boyd	.....	220/700
2,852,144	A *	9/1958	Reno	.....	211/65
2,919,828	A *	1/1960	Lemke	.....	220/700
3,291,337	A *	12/1966	Jenkins	.....	220/697
D305,820	S *	1/1990	Beato	.....	D32/54
5,924,593	A *	7/1999	Rutledge et al.	.....	220/695

**1 Claim, 3 Drawing Sheets**

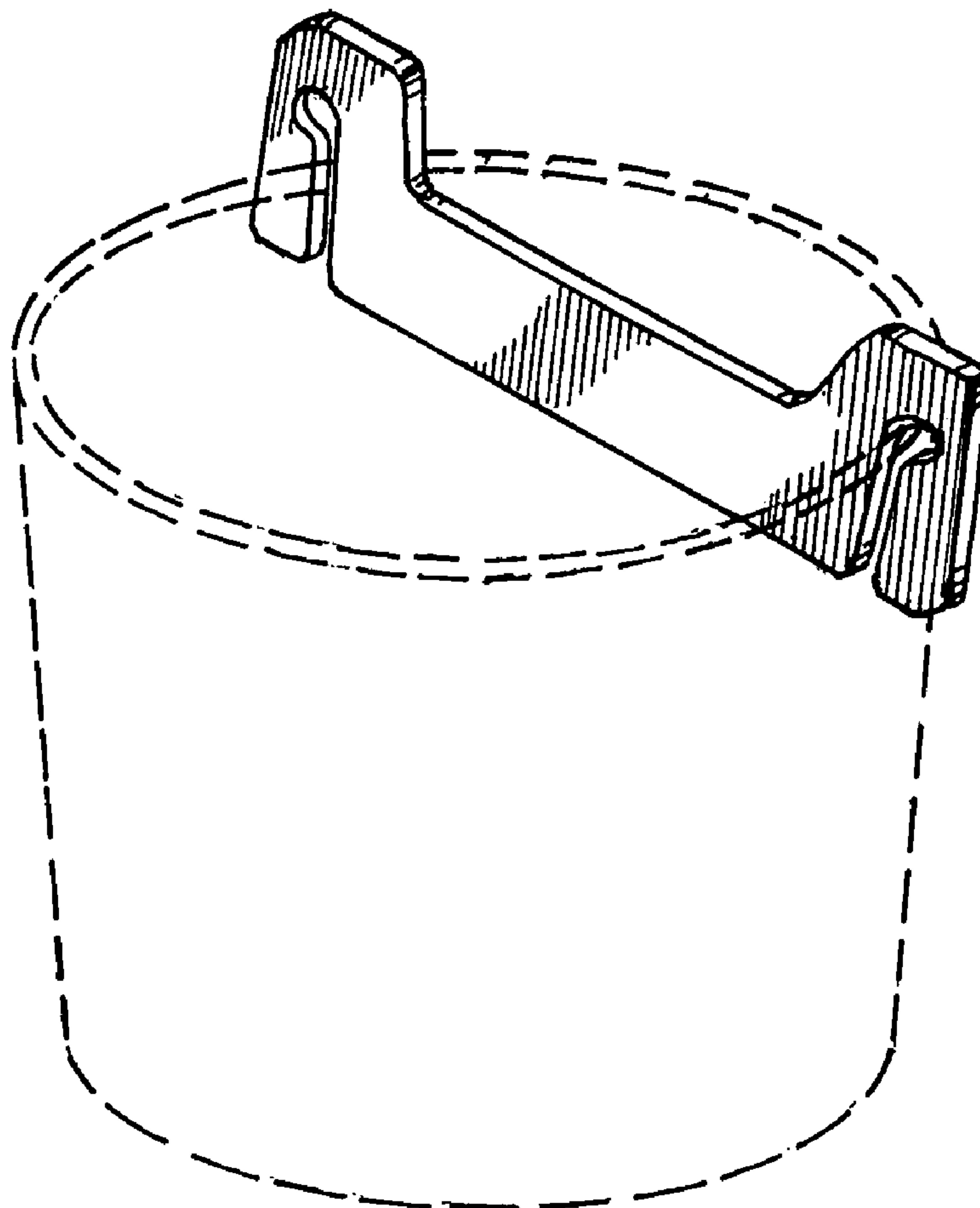




FIG. 4



FIG. 3

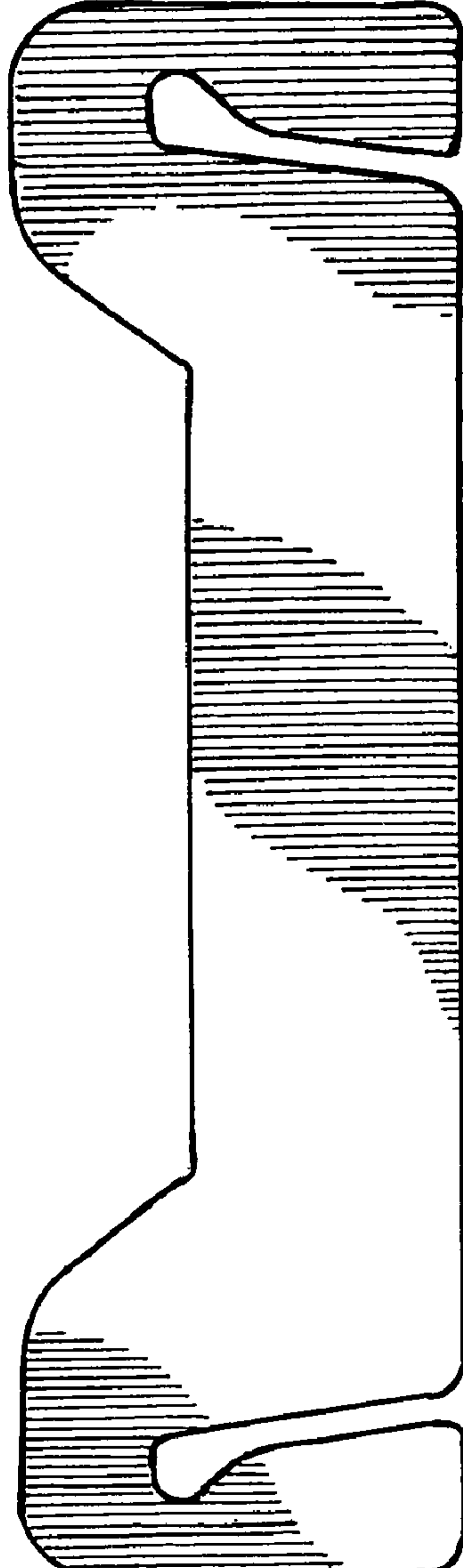


FIG. 1

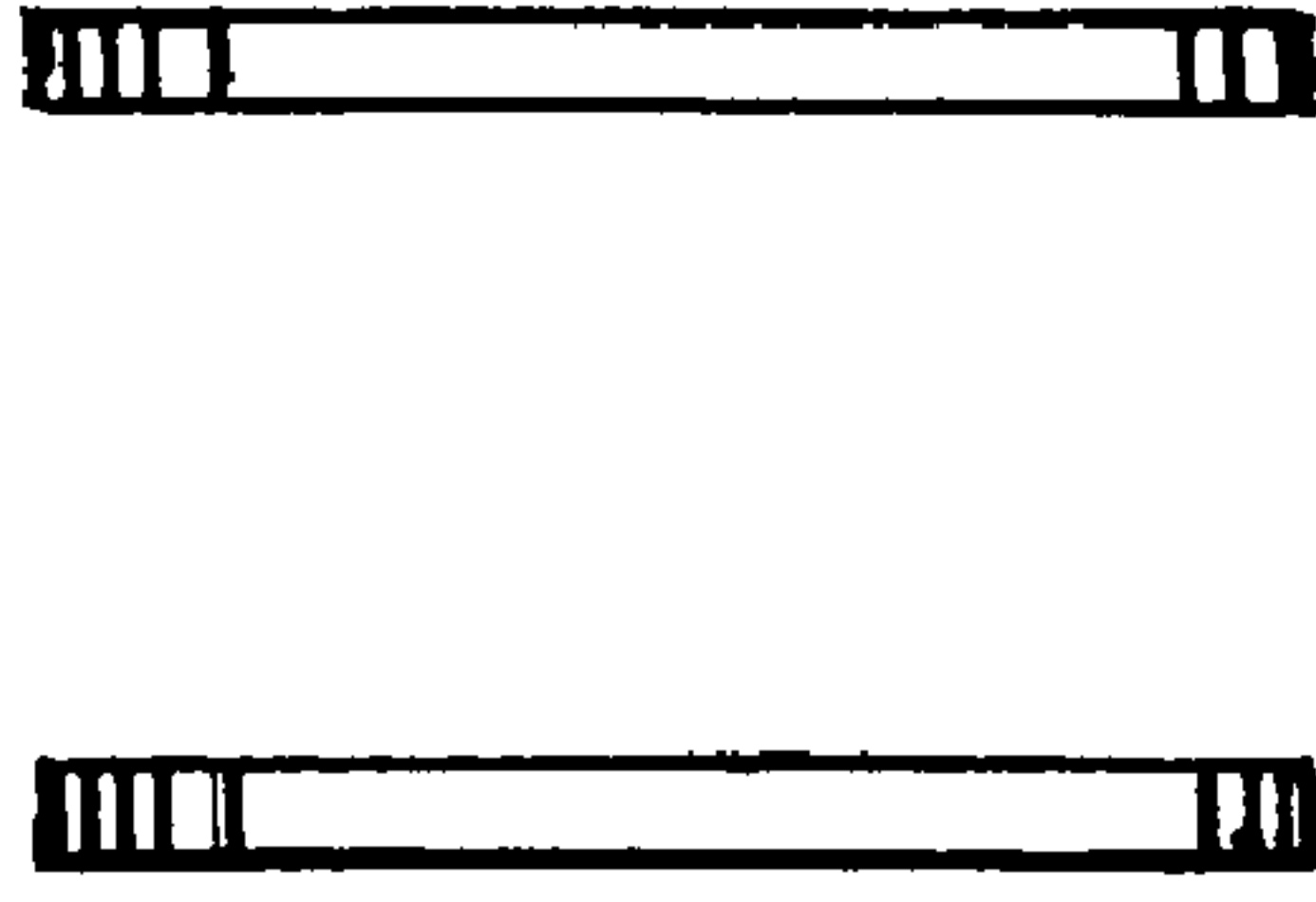


FIG. 5 FIG. 6

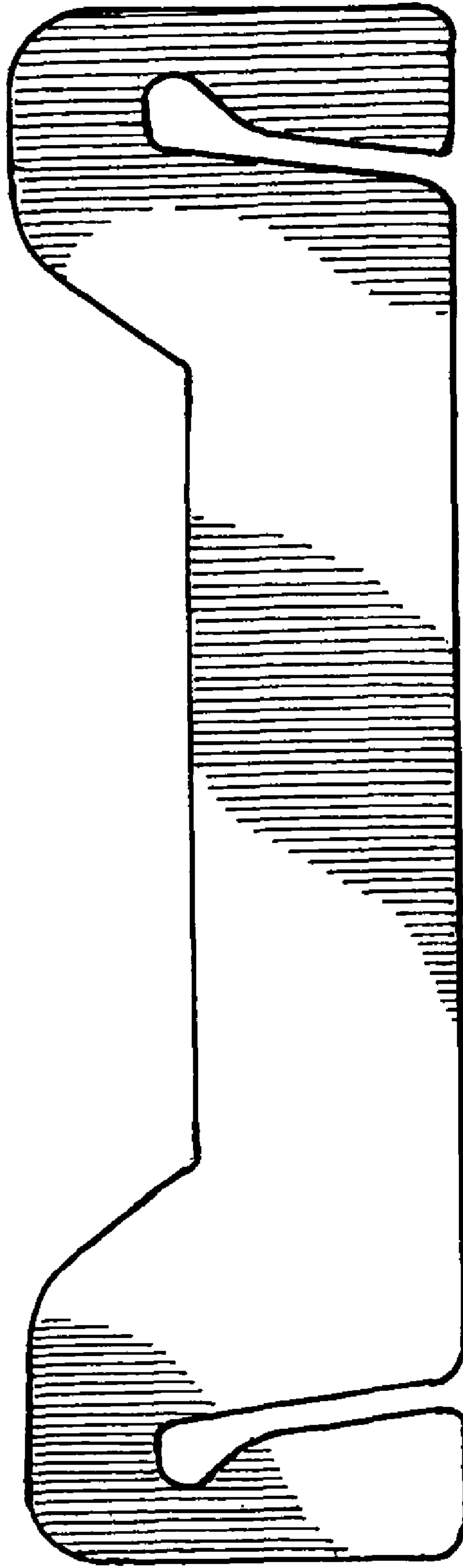


FIG. 2

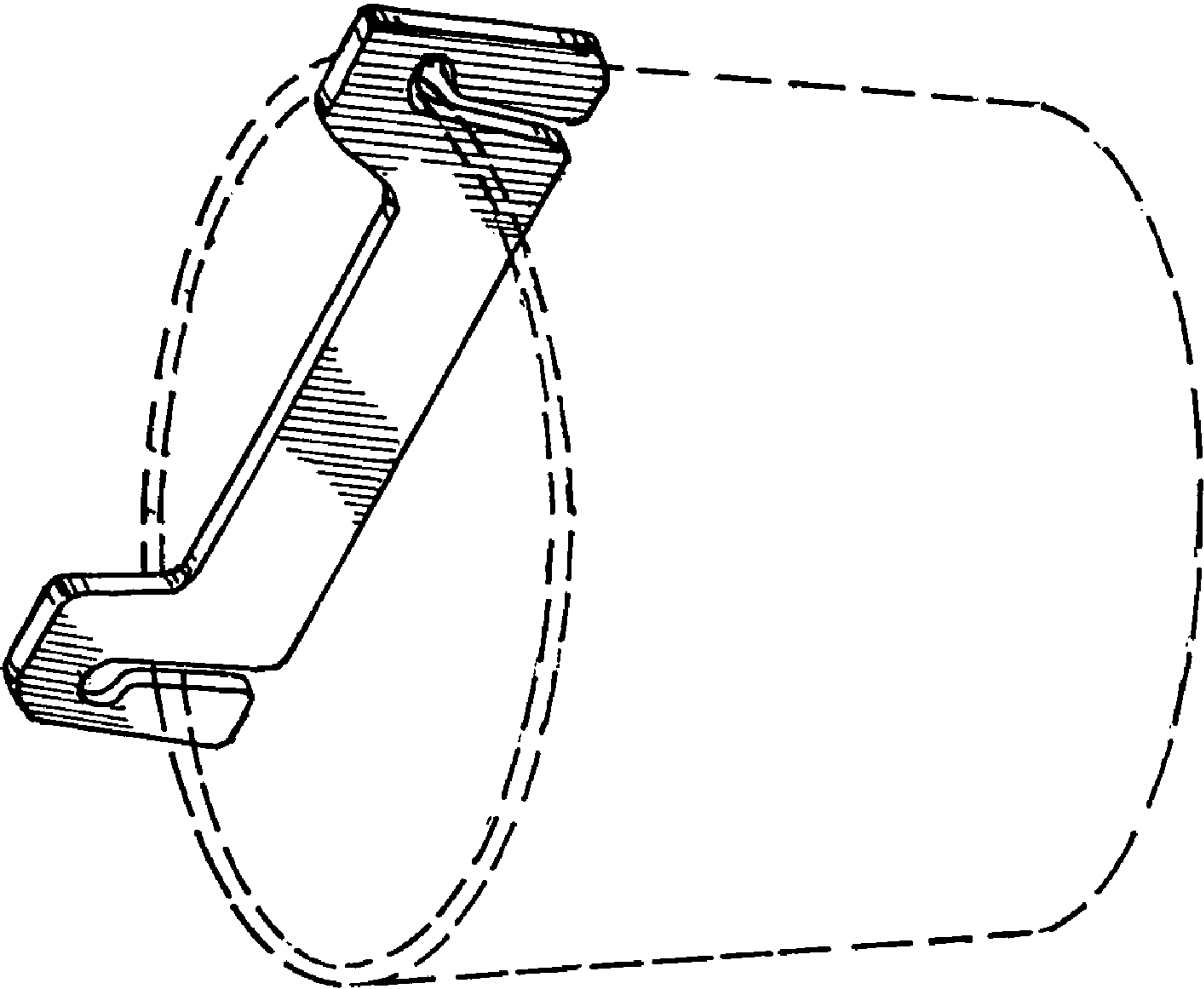


FIG. 7