



US00D642346S

(12) **United States Design Patent**  
**Luyckx et al.**

(10) **Patent No.:** **US D642,346 S**

(45) **Date of Patent:** **\*\* Jul. 26, 2011**

(54) **FOOT FOR A STICK VACUUM**

(75) Inventors: **Michael Luyckx**, Ada, MI (US); **Terese Mauch**, Bay City, MI (US); **Lawrence Chun-Hei Chu**, Shenzhen (CN); **Wendy Hui Wu**, Shenzhen (CN); **Jonathan Stanley**, East Grand Rapids, MI (US)

(73) Assignee: **BISSELL Homecare, Inc.**, Grand Rapids, MI (US)

(\*\*) Term: **14 Years**

(21) Appl. No.: **29/357,393**

(22) Filed: **Mar. 11, 2010**

(51) **LOC (9) Cl.** ..... **15-05**

(52) **U.S. Cl.** ..... **D32/32**

(58) **Field of Classification Search** ..... D32/50,  
D32/17, 31-33, 22, 51, 38-40, 45, 25, 49;  
15/182, 179, 168, 228, 319, 403, 209.1, 52,  
15/1, 246.3, 320-322, 415.1-422.1, 414,  
15/412, 354, 362, 366, 374, 400, 327.1, 329,  
15/41.1, 42, 48, 171, 176.1, 159.1, 339, 208,  
15/372, 385, 115, 106; 401/138-139; 68/222;  
134/198, 105

See application file for complete search history.

(56) **References Cited**

**U.S. PATENT DOCUMENTS**

D352,809 S	*	11/1994	Reath	.....	D32/31
D418,267 S	*	12/1999	Lin	.....	D32/32
D501,283 S		1/2005	Carr et al.		
D507,389 S	*	7/2005	Kalman et al.	.....	D32/32

D524,498 S	*	7/2006	Luebbering et al.	.....	D32/32
D537,587 S	*	2/2007	Scheifele et al.	.....	D32/32
D555,308 S	*	11/2007	Parr	.....	D32/32
D556,964 S	*	12/2007	Song et al.	.....	D32/32
D566,355 S	*	4/2008	Paredes et al.	.....	D32/32
D575,467 S	*	8/2008	Paredes et al.	.....	D32/32
D594,612 S	*	6/2009	Umeda	.....	D32/32
7,665,172 B1	*	2/2010	Tran et al.	.....	15/41.1
D618,873 S	*	6/2010	Ayers	.....	D32/33
D619,315 S	*	7/2010	Ayers	.....	D32/32
D621,564 S	*	8/2010	Kaffenberger	.....	D32/32
D626,301 S	*	10/2010	Raven	.....	D32/38
2007/0006404 A1	*	1/2007	Cheng et al.	.....	15/52.1
2008/0313846 A1	*	12/2008	Steffen et al.	.....	15/339

\* cited by examiner

*Primary Examiner* — Ruth McInroy

(74) *Attorney, Agent, or Firm* — McGarry Bair PC

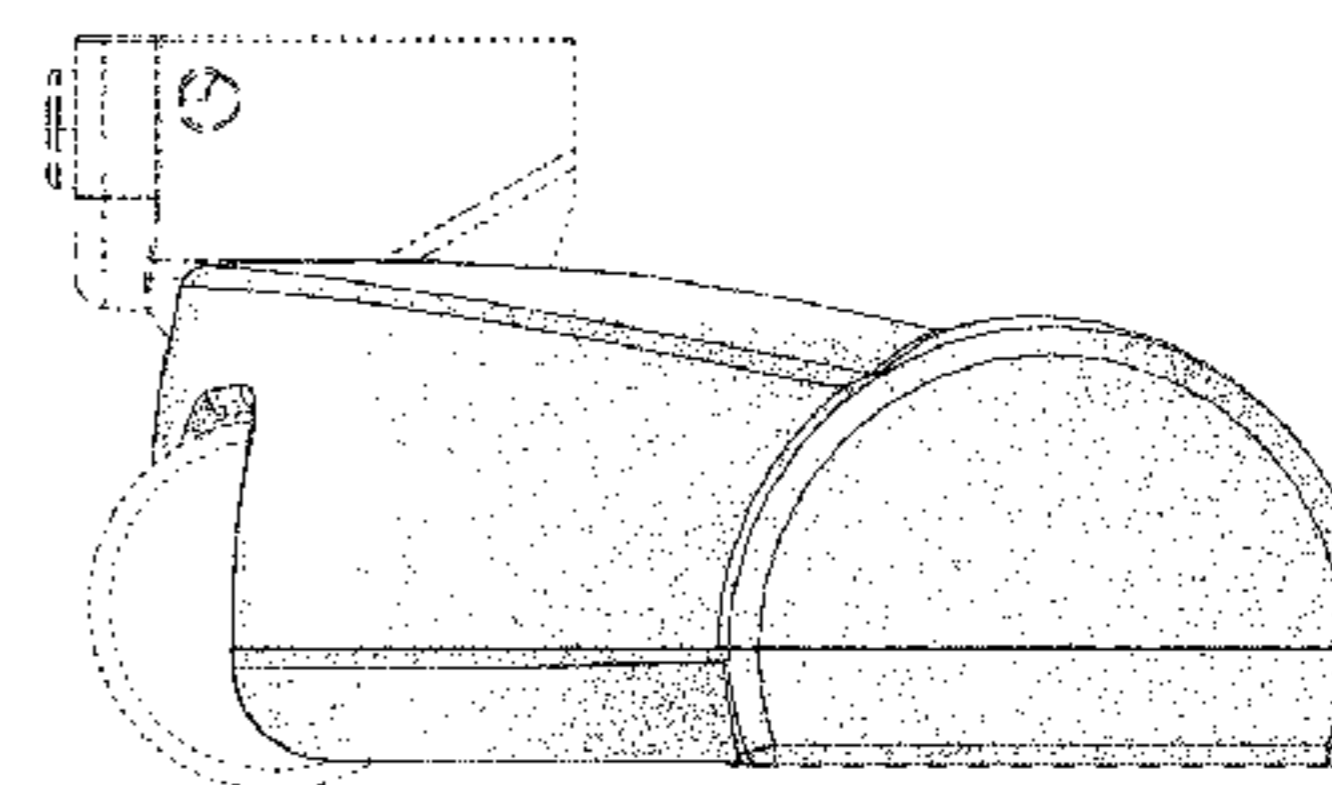
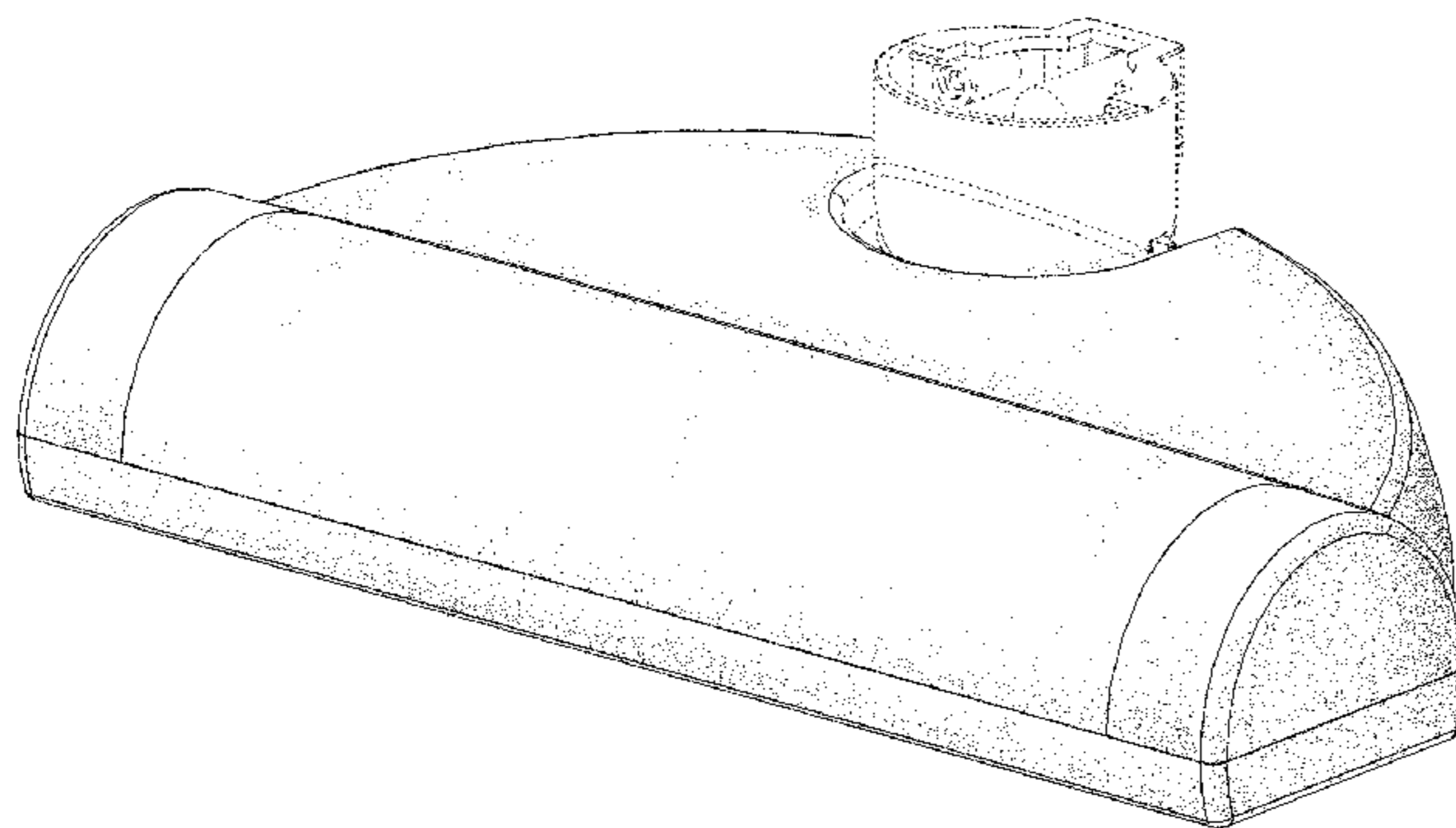
(57) **CLAIM**

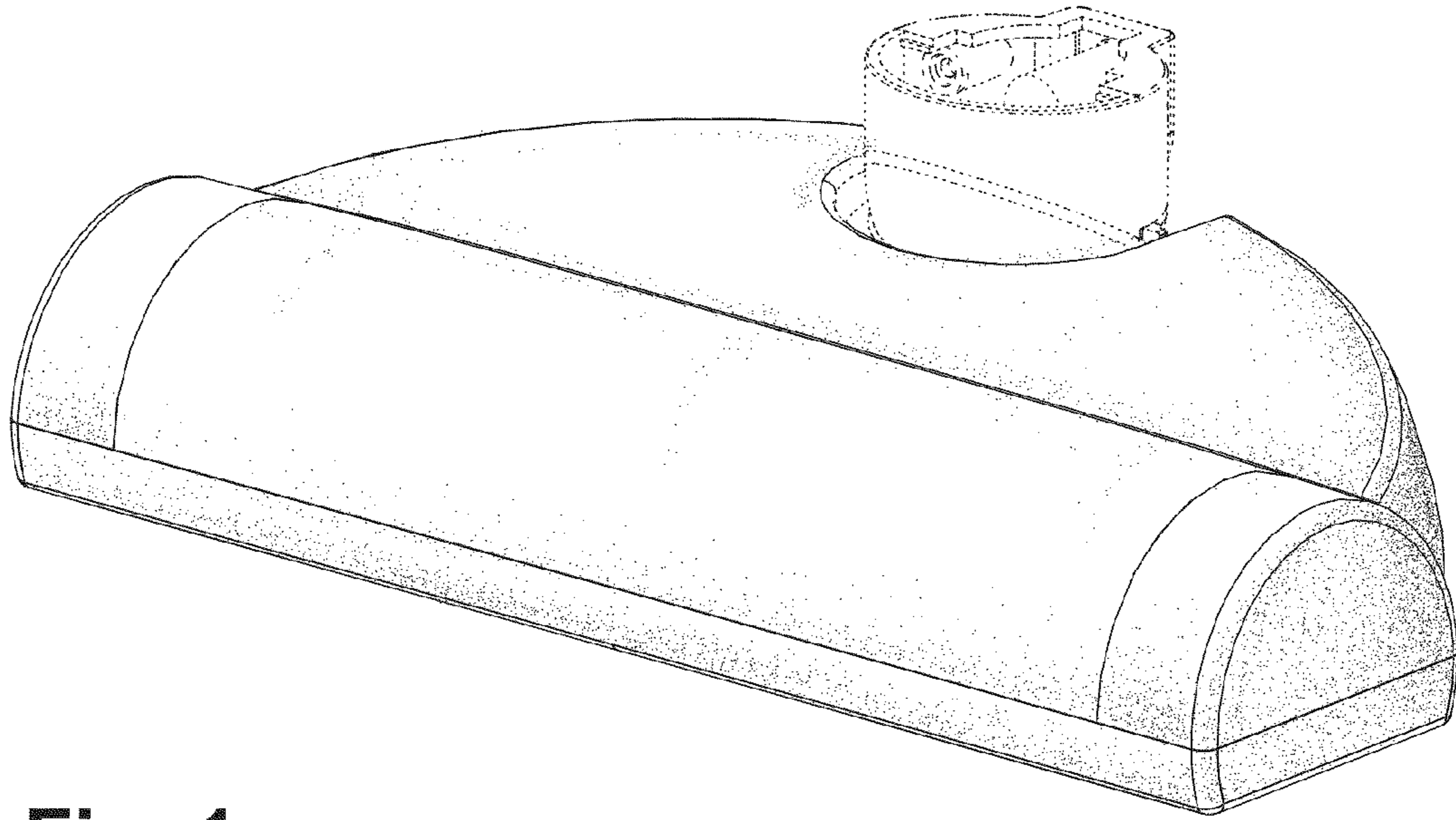
The ornamental design for a foot for a stick vacuum, as shown and described.

**DESCRIPTION**

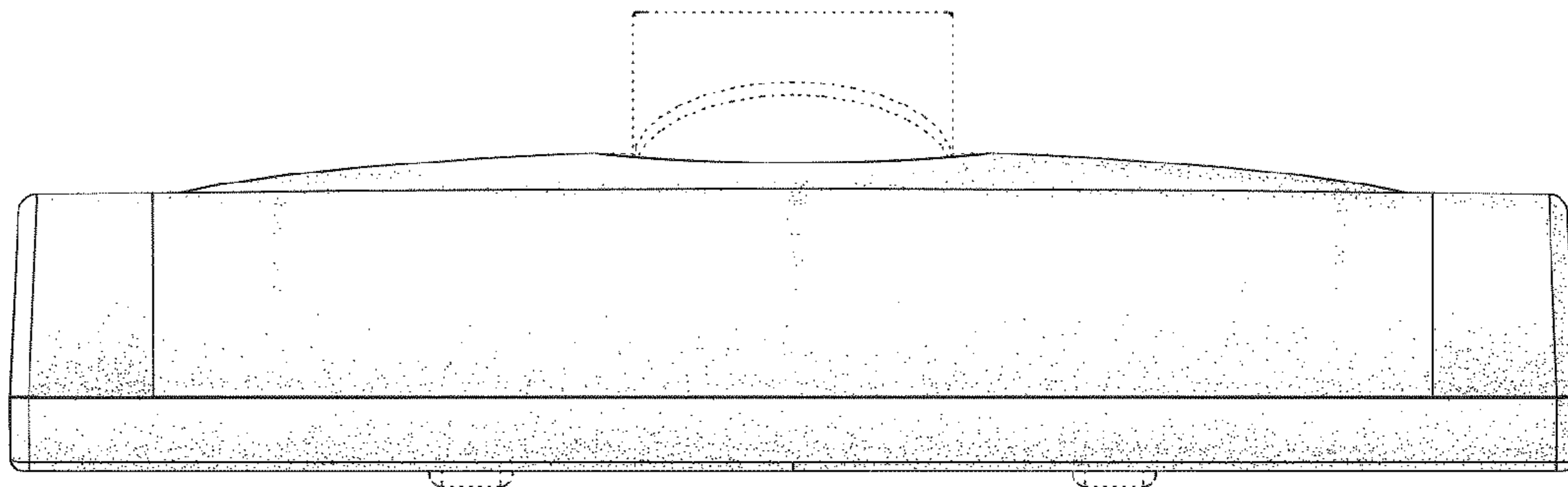
FIG. 1 is a front perspective view of a foot for a stick vacuum which embodies our design;  
FIG. 2 is a front view thereof;  
FIG. 3 is a rear view thereof;  
FIG. 4 is a left side view thereof, the right side being a mirror image; and,  
FIG. 5 is a top view thereof.  
The bottom view is unornamented.  
The details shown in broken lines form no part of the claimed design.

**1 Claim, 2 Drawing Sheets**

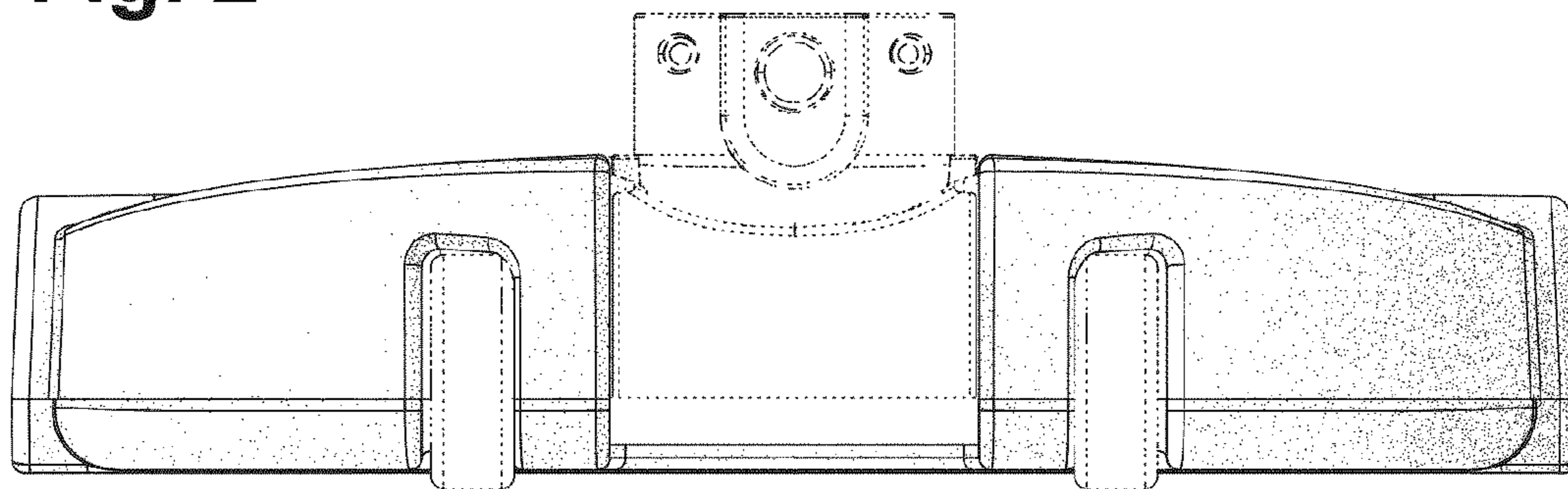




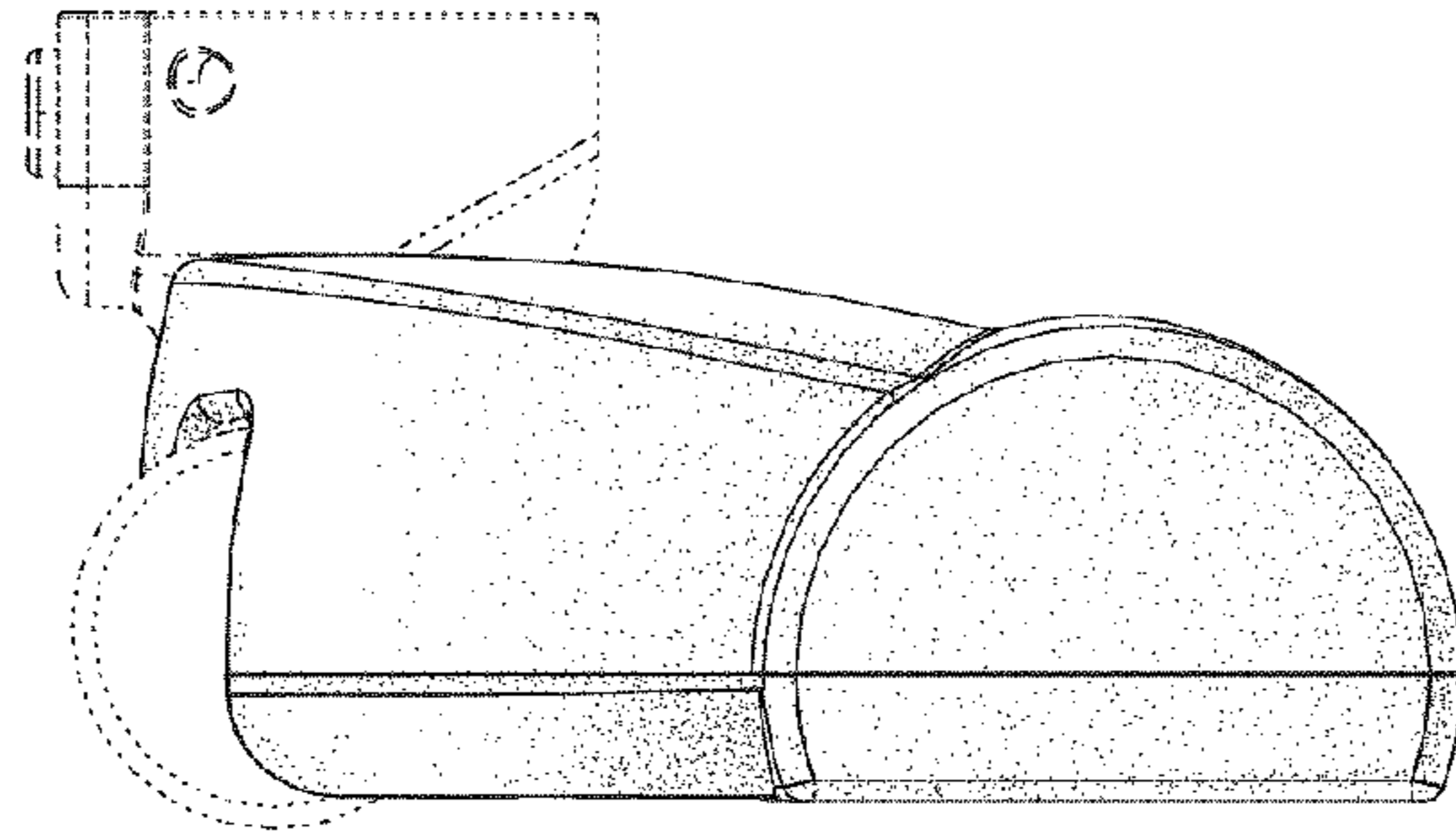
**Fig. 1**



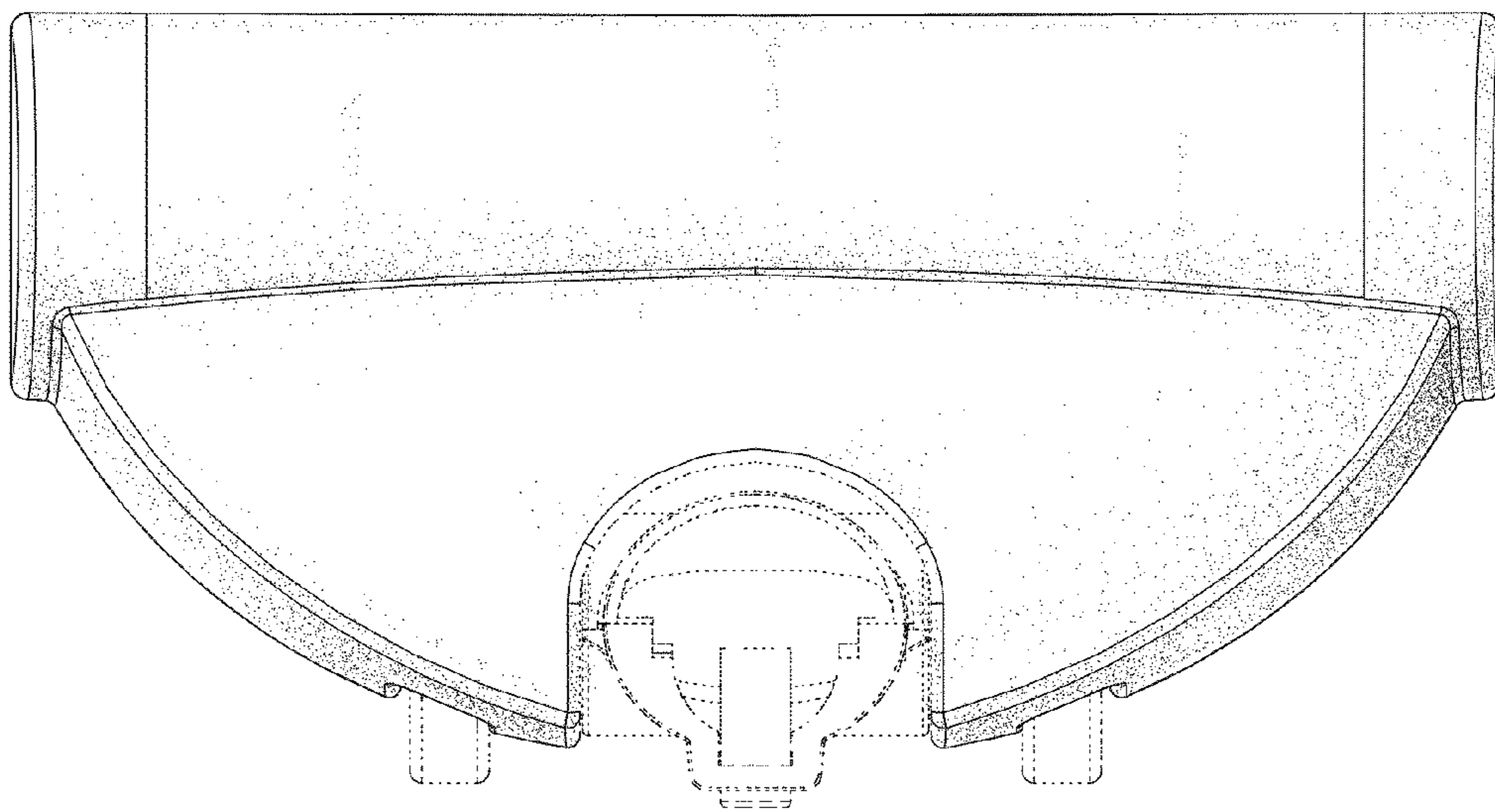
**Fig. 2**



**Fig. 3**



**Fig. 4**



**Fig. 5**