



US00D642343S

(12) **United States Design Patent**
Dammkoehler

(10) **Patent No.:** **US D642,343 S**
(45) **Date of Patent:** **** Jul. 26, 2011**

(54) **FLOOR CLEANING MACHINE**

(75) Inventor: **Denis Dammkoehler**, Backnang (DE)

(73) Assignee: **Alfred Kaercher GmbH & Co. KG**, Winnenden (DE)

(**) Term: **14 Years**

(21) Appl. No.: **29/316,216**

(22) Filed: **Sep. 1, 2009**

(30) **Foreign Application Priority Data**

Mar. 13, 2009 (WO) DM/071 504

(51) **LOC (9) Cl.** **15-05**

(52) **U.S. Cl.** **D32/16**

(58) **Field of Classification Search** D32/1,
D32/15, 16, 17, 18, 19, 21, 25; 15/49.1,
15/50.1, 320-323, 353; 280/474; 414/918
See application file for complete search history.

(56) **References Cited**

U.S. PATENT DOCUMENTS

3,634,904	A *	1/1972	Larsen	15/340.3
D228,362	S *	9/1973	Krier et al.	D32/16
D231,387	S *	4/1974	Krier et al.	D32/16
3,942,218	A *	3/1976	Krier et al.	15/340.3
4,317,252	A *	3/1982	Knowlton	15/320
D281,109	S *	10/1985	van Raaij	D32/16
D281,633	S *	12/1985	Pratt	D32/16
D281,634	S *	12/1985	Pratt	D32/16
D291,932	S *	9/1987	Knowlton et al.	D32/16
D391,697	S *	3/1998	Knowlton et al.	D32/4

OTHER PUBLICATIONS

Extract from catalog of Alfred Kaercher GmbH & Co. KG, "Programme 2005", cover, pp. 213-215, 218-219 and last page (Dec. 2004).

Extract from catalog of Alfred Kaercher GmbH & Co. KG, "Programme 2006", cover, pp. 232-233, 236-237 and last page (Dec. 2005).

Extract from catalog of Alfred Kaercher GmbH & Co. KG, "Programme 2007", cover, pp. 253-257, 261-263 and last page (Jan. 2007).

Extract from catalog of Alfred Kaercher GmbH & Co. KG, "Programme 2008", cover, pp. 269-273, 277-279, 281 and last page (Dec. 2007).

Extract from catalog of Alfred Kaercher GmbH & Co. KG, "Programme 2009", cover, p. 35, and last page (Mar. 2009).

* cited by examiner

Primary Examiner — T. Chase Nelson

Assistant Examiner — Kathleen M Sims

(74) *Attorney, Agent, or Firm* — Lipsitz & McAllister, LLC

(57) **CLAIM**

The ornamental design for a floor cleaning machine, as shown and described.

DESCRIPTION

FIG. 1 is a front, top and right side perspective view of a floor cleaning machine showing my new design;

FIG. 2 is a front, top and left side perspective view showing the design;

FIG. 3 is a front elevational view of the design;

FIG. 4 is a right side elevational view of the design;

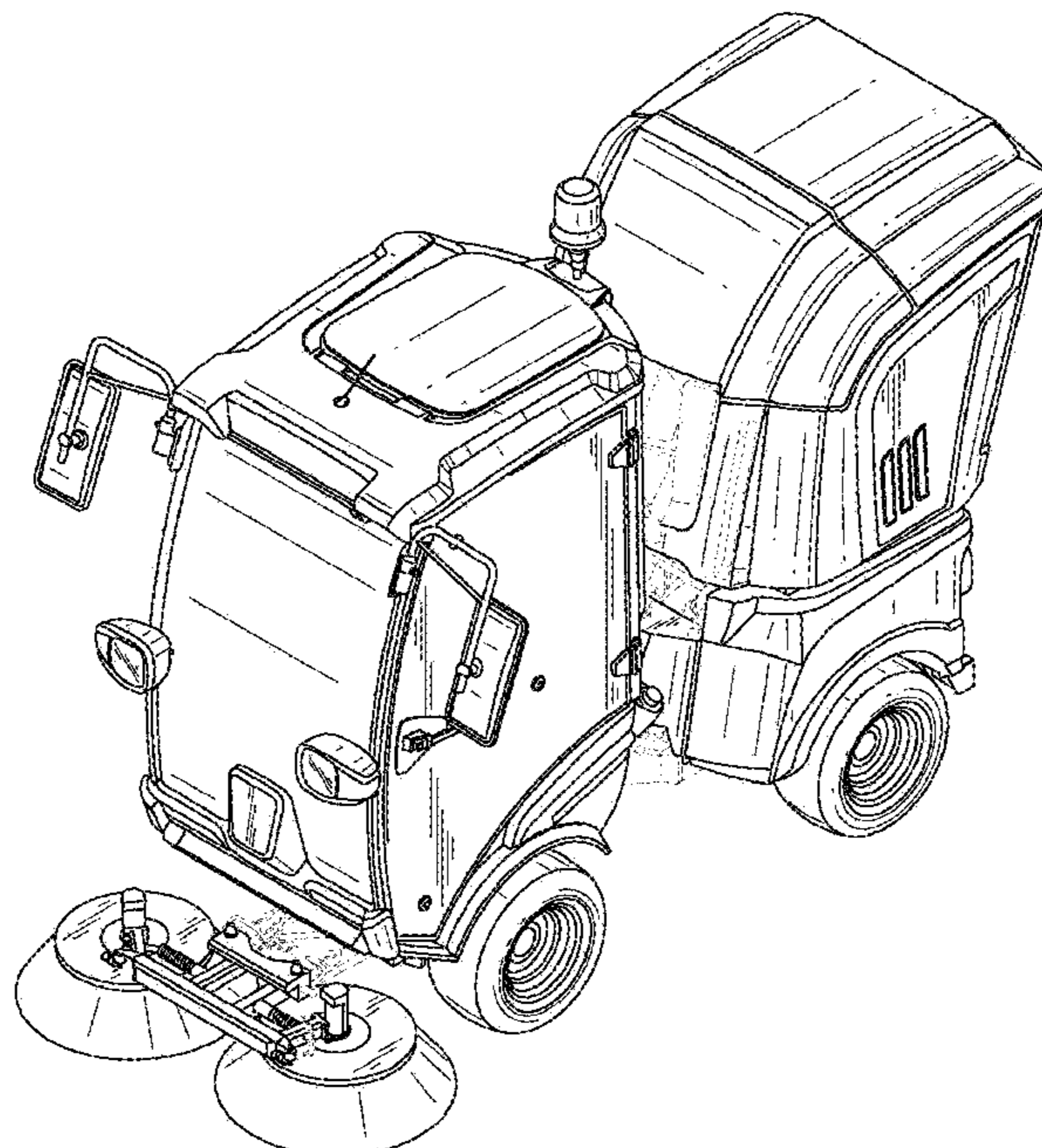
FIG. 5 is a rear elevational view of the design;

FIG. 6 is a left side elevational view of the design; and,

FIG. 7 is a top plan view of the design.

The broken line showing of various elements in the drawings is for the purpose of illustrating portions of hardware and mechanical structure and forms no part of the claimed design.

1 Claim, 6 Drawing Sheets



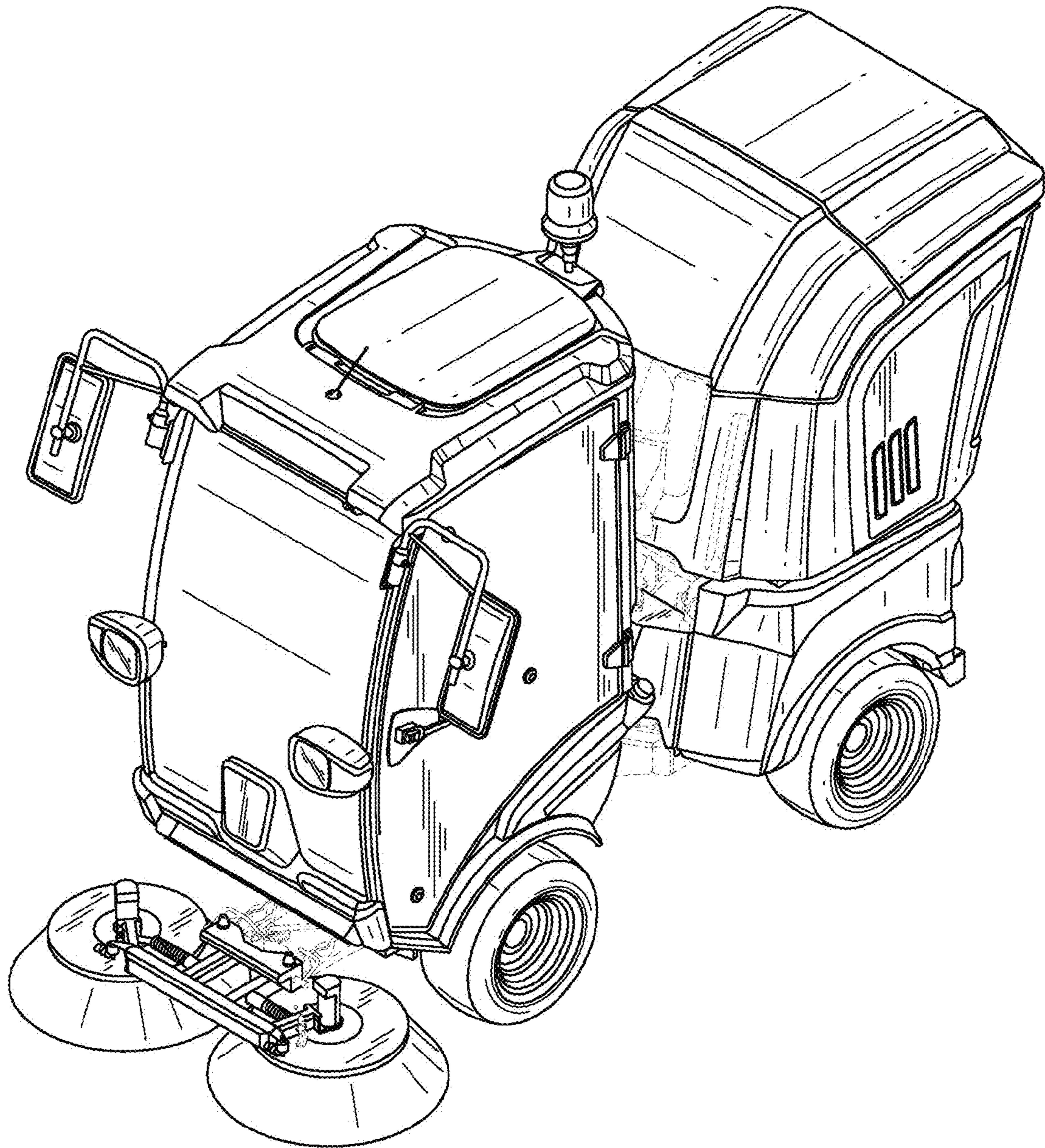


FIG. 1

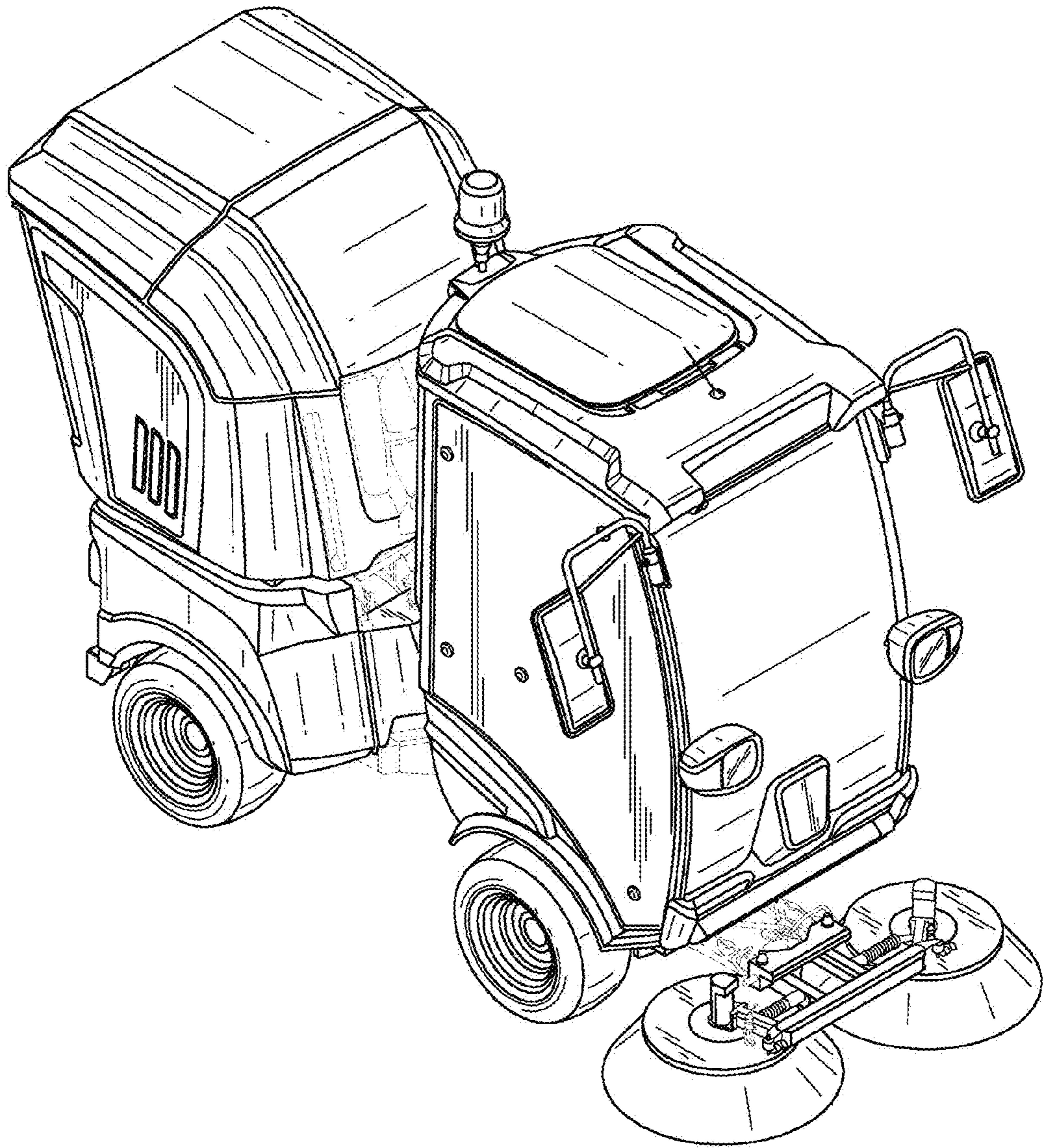


FIG. 2

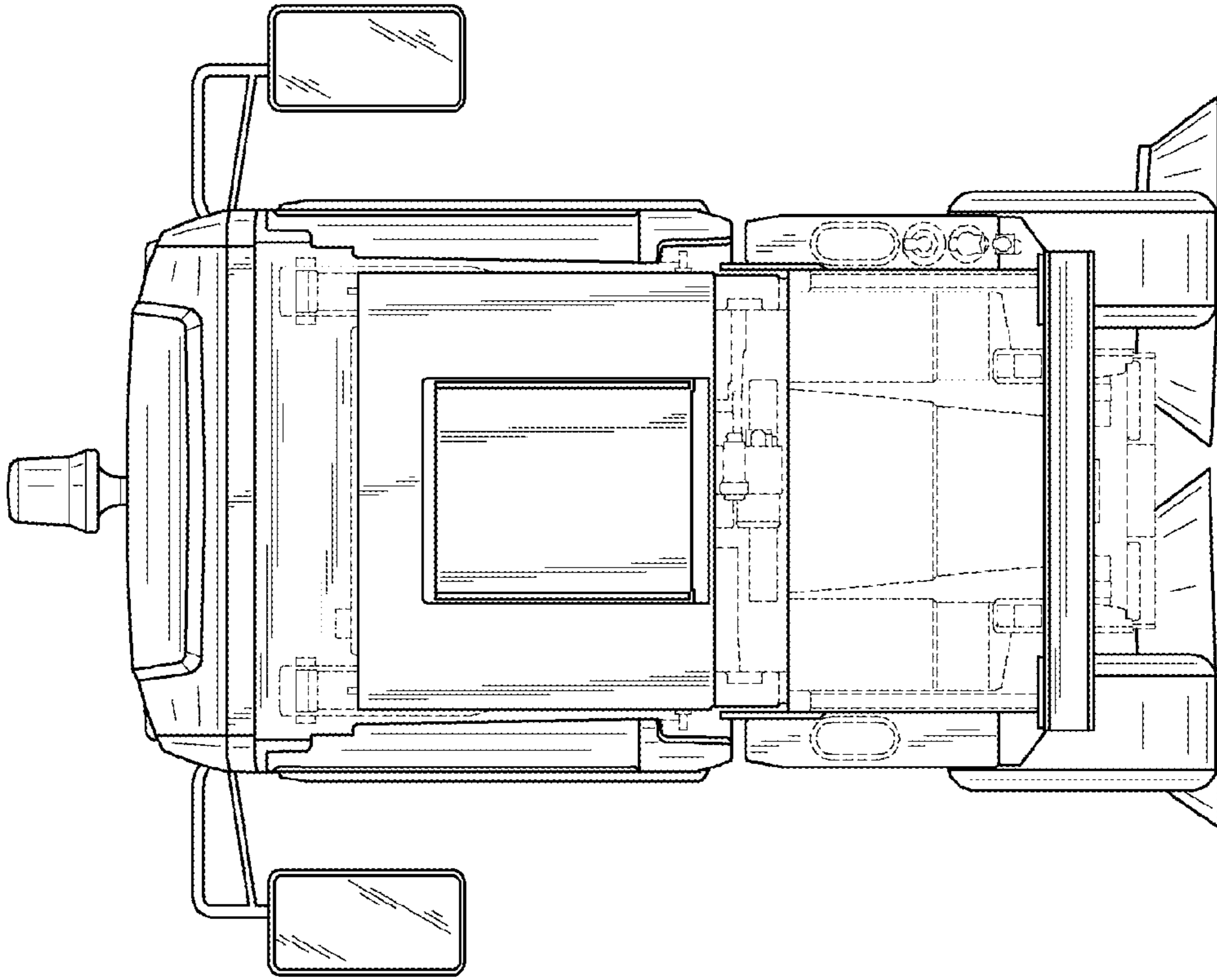


FIG. 5

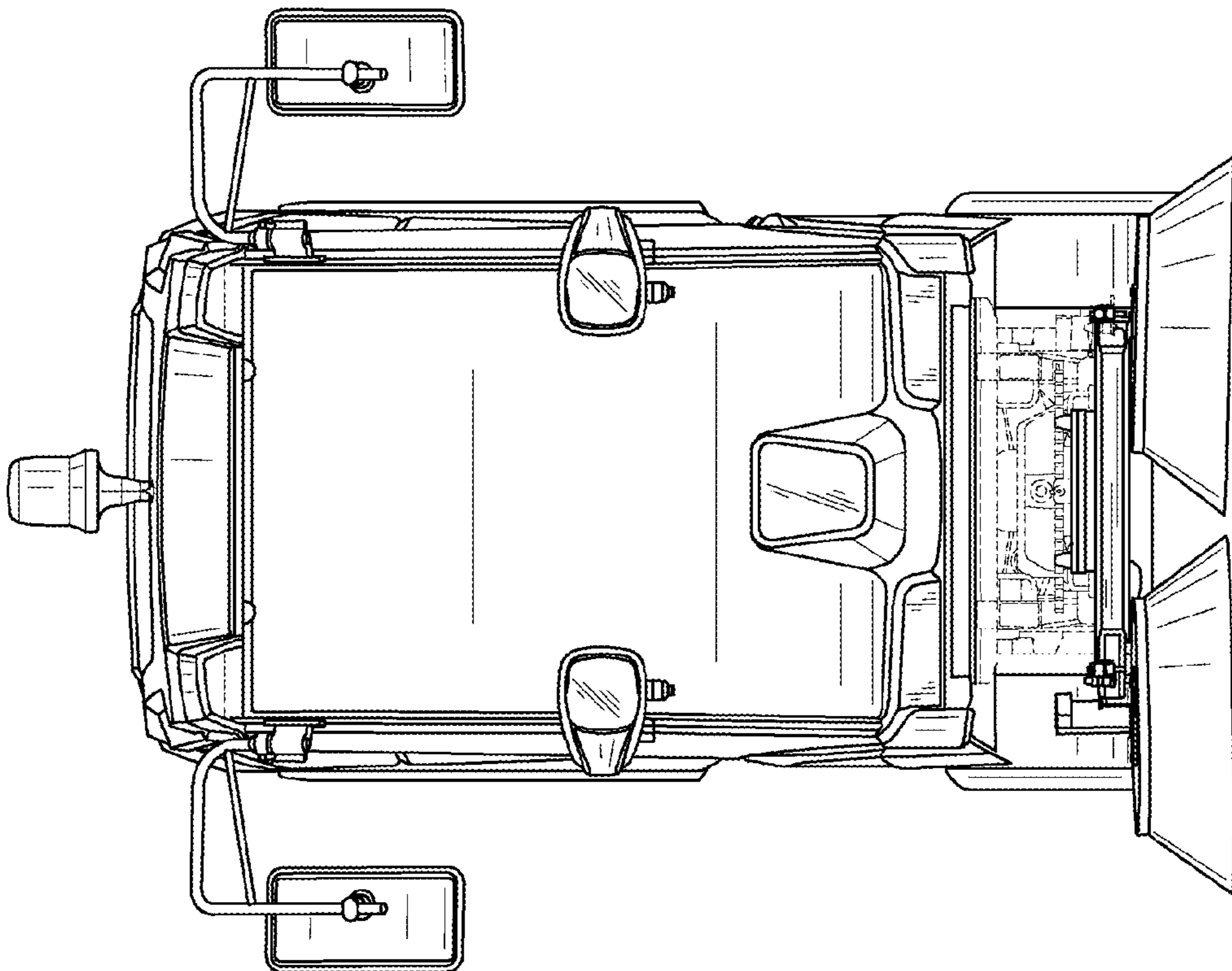


FIG. 3

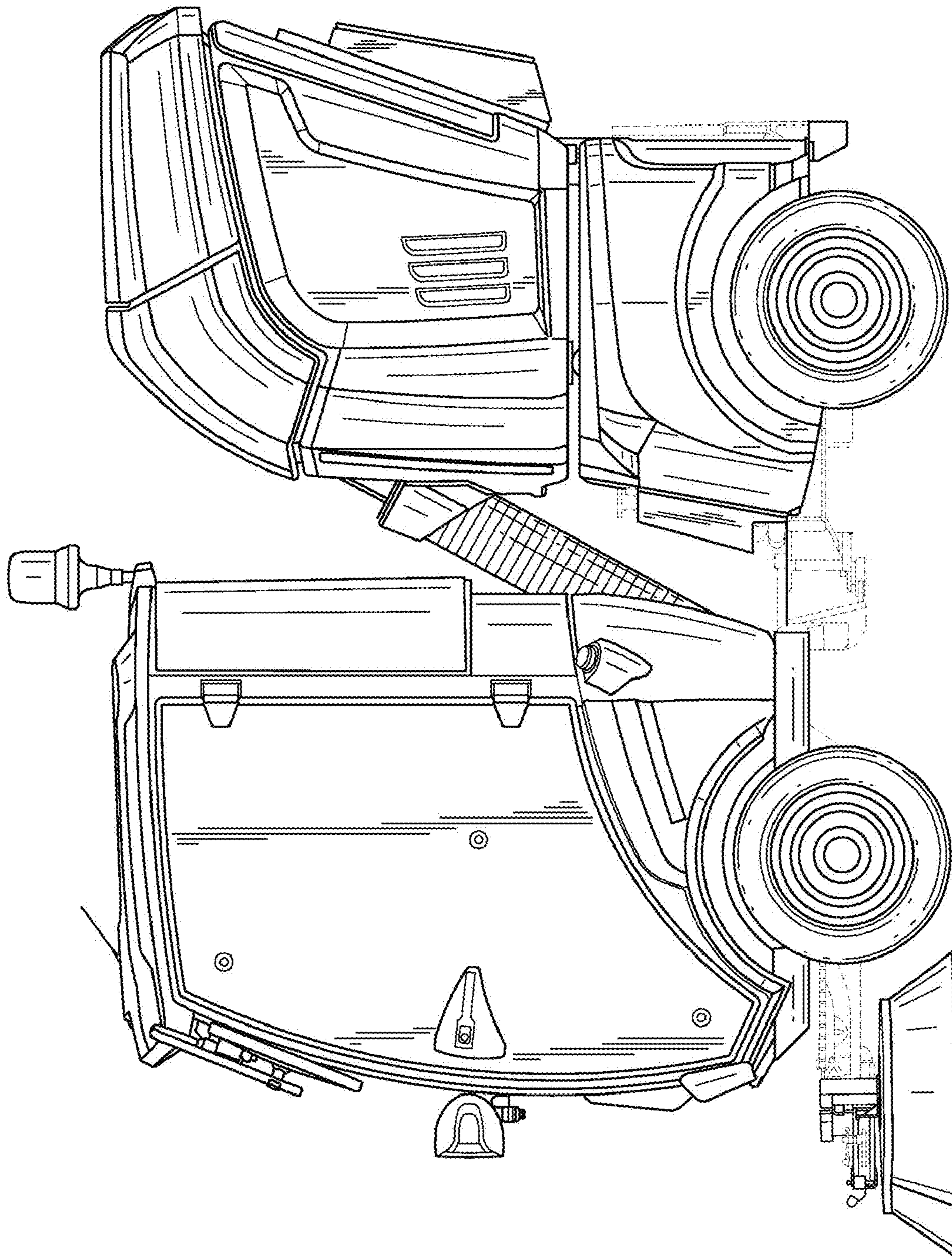


FIG. 4

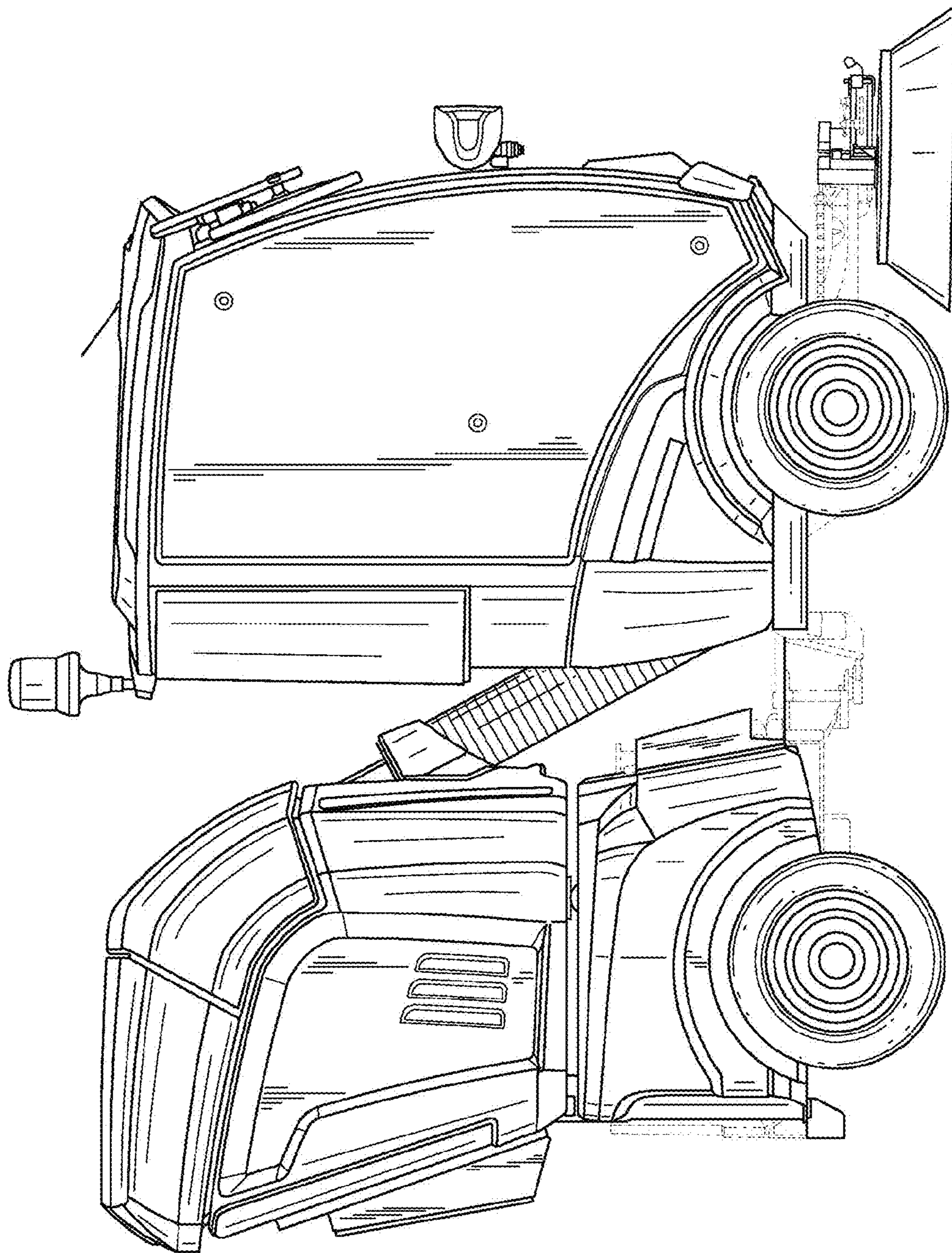


FIG. 6

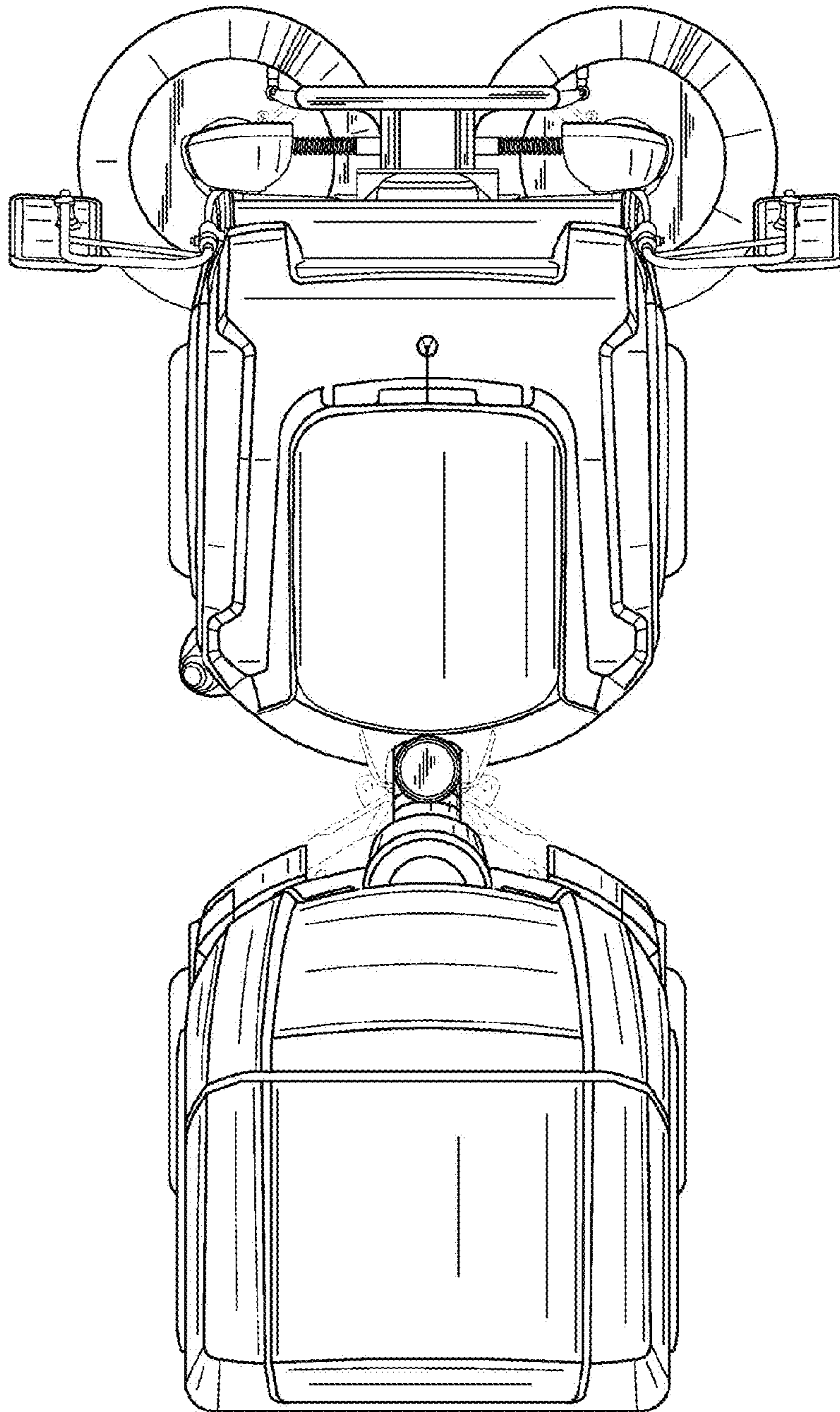


FIG. 7