



US00D642339S

(12) **United States Design Patent**
Levin et al.

(10) **Patent No.:** **US D642,339 S**
(45) **Date of Patent:** **** Jul. 26, 2011**

(54) **SOLAR POWERED FLASHING PET TOY**

(75) Inventors: **Mark Levin**, Papillion, NE (US);
Gwendolyn Newsome, Omaha, NE
(US); **Ryan P. Davidson**, Evansville, IN
(US)

(73) Assignee: **Sergeant's Pet Care Products, Inc.**,
Omaha, NE (US)

(**) Term: **14 Years**

(21) Appl. No.: **29/354,134**

(22) Filed: **Jan. 20, 2010**

(51) **LOC (9) Cl.** **30-99**

(52) **U.S. Cl.** **D30/160**

(58) **Field of Classification Search** D30/160;
119/702, 706-711; D21/398, 455, 466, 563,
D21/592, 659, 707, 713; D26/51, 57, 104;
446/438; 473/570, 576, 596, 612, 614

See application file for complete search history.

(56) **References Cited**

U.S. PATENT DOCUMENTS

| | | | | | |
|-----------|------|---------|------------------|-------|---------|
| 1,862,996 | A * | 6/1932 | Arnold | | 446/22 |
| 3,304,651 | A * | 2/1967 | Deyerl | | 473/570 |
| 3,580,575 | A | 5/1971 | Speeth | | |
| 4,963,117 | A * | 10/1990 | Gualdoni | | 446/438 |
| 5,054,778 | A * | 10/1991 | Maleyko | | 473/570 |
| 5,066,011 | A | 11/1991 | Dykstra et al. | | |
| 5,102,131 | A | 4/1992 | Remington et al. | | |
| 5,236,383 | A | 8/1993 | Connelly | | |
| 5,725,445 | A | 3/1998 | Kennedy et al. | | |
| 5,779,574 | A | 7/1998 | Allman et al. | | |
| 5,779,575 | A | 7/1998 | Hsieh | | |
| 5,819,690 | A * | 10/1998 | Brown | | 119/707 |
| 5,924,942 | A | 7/1999 | Gentile | | |
| 6,280,344 | B1 | 8/2001 | Robb | | |
| 6,428,432 | B1 * | 8/2002 | Kachel | | 473/570 |
| 6,666,782 | B1 * | 12/2003 | Wu | | 473/570 |
| 6,733,149 | B1 * | 5/2004 | Chuang | | 362/86 |
| D494,716 | S * | 8/2004 | Chang | | D30/160 |
| 7,074,106 | B1 * | 7/2006 | Deutsch et al. | | 119/711 |

| | | | | | |
|--------------|------|---------|-----------------|-------|---------|
| 7,163,313 | B2 * | 1/2007 | Rosenberg | | 362/184 |
| 7,261,432 | B1 * | 8/2007 | Habitz | | 473/570 |
| D552,307 | S * | 10/2007 | Renforth et al. | | D30/160 |
| 2001/0049311 | A1 | 12/2001 | Lewis et al. | | |
| 2003/0224885 | A1 * | 12/2003 | Leal et al. | | 473/570 |
| 2005/0261083 | A1 | 11/2005 | Liao | | |
| 2006/0249096 | A1 | 11/2006 | Gick | | |
| 2009/0042658 | A1 | 2/2009 | Suit | | |
| 2009/0314221 | A1 * | 12/2009 | Wang | | 119/707 |

OTHER PUBLICATIONS

Sergeant's webpage—Caring for Pets Since 1868—Zoink Fetch 'n Flash Ball, Product No. 07068 (3 pages).

* cited by examiner

Primary Examiner — Cathy A MacCormac

(74) *Attorney, Agent, or Firm* — Polsinelli Shughart PC

(57) **CLAIM**

The ornamental design for a solar powered flashing pet toy, as shown and described.

DESCRIPTION

FIG. 1 is a perspective view of the solar powered flashing pet toy;

FIG. 2 is a front view of the solar powered flashing pet toy;

FIG. 3 is a rear view of the solar powered flashing pet toy;

FIG. 4 is a side view of the solar powered flashing pet toy;

FIG. 5 is an opposite side view of the solar powered flashing pet toy;

FIG. 6 is a top view of the solar powered flashing pet toy;

FIG. 7 is a bottom view of the solar powered flashing pet toy;

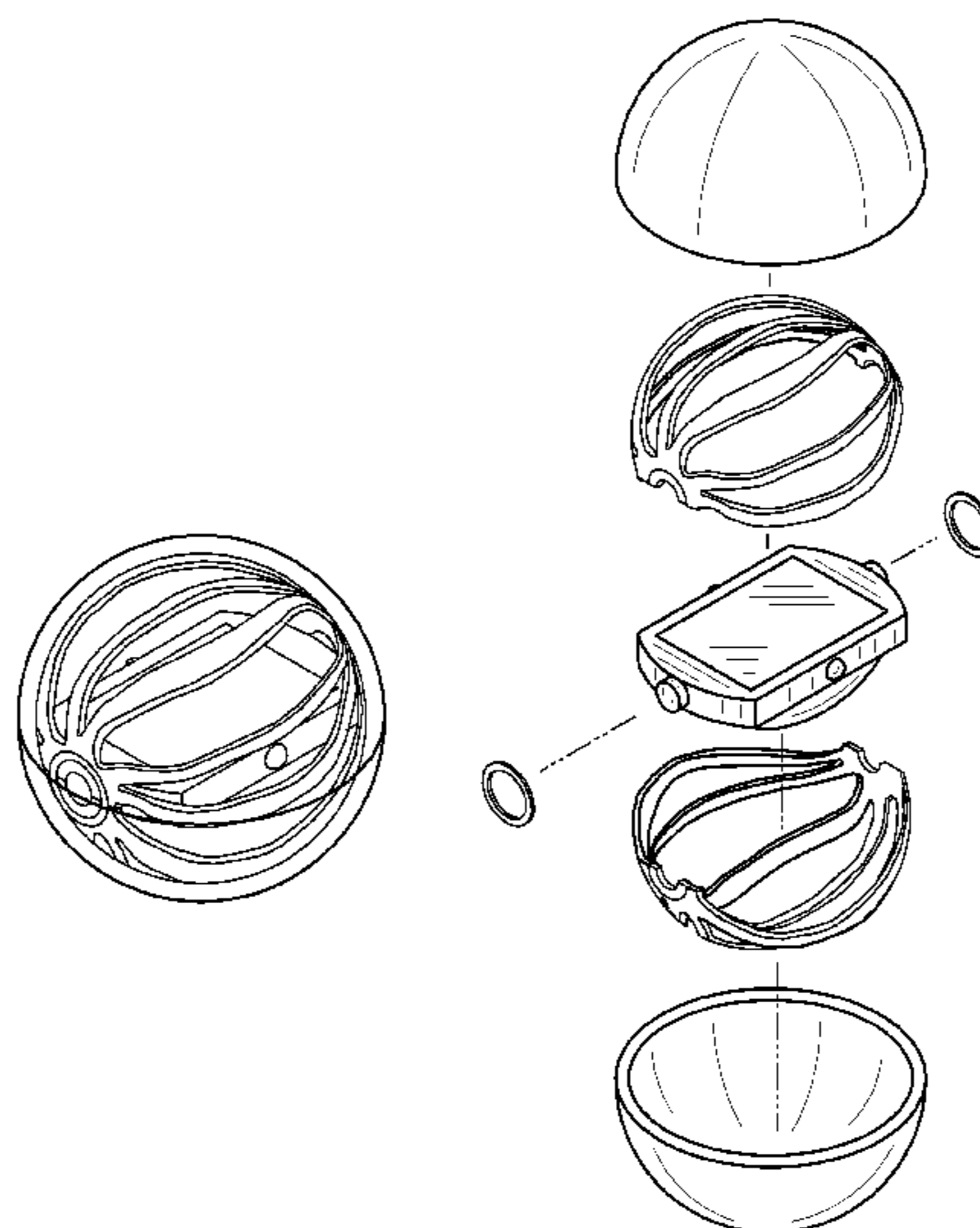
FIG. 8 is an exploded view of the solar powered flashing pet toy;

FIG. 9 is a top view of charging and flashing portions of the solar powered flashing pet toy;

FIG. 10 is a front view of the charging and flashing portions of the solar powered flashing pet toy; and,

FIG. 11 is a side view of the charging and flashing portions of the solar powered flashing pet toy.

1 Claim, 4 Drawing Sheets



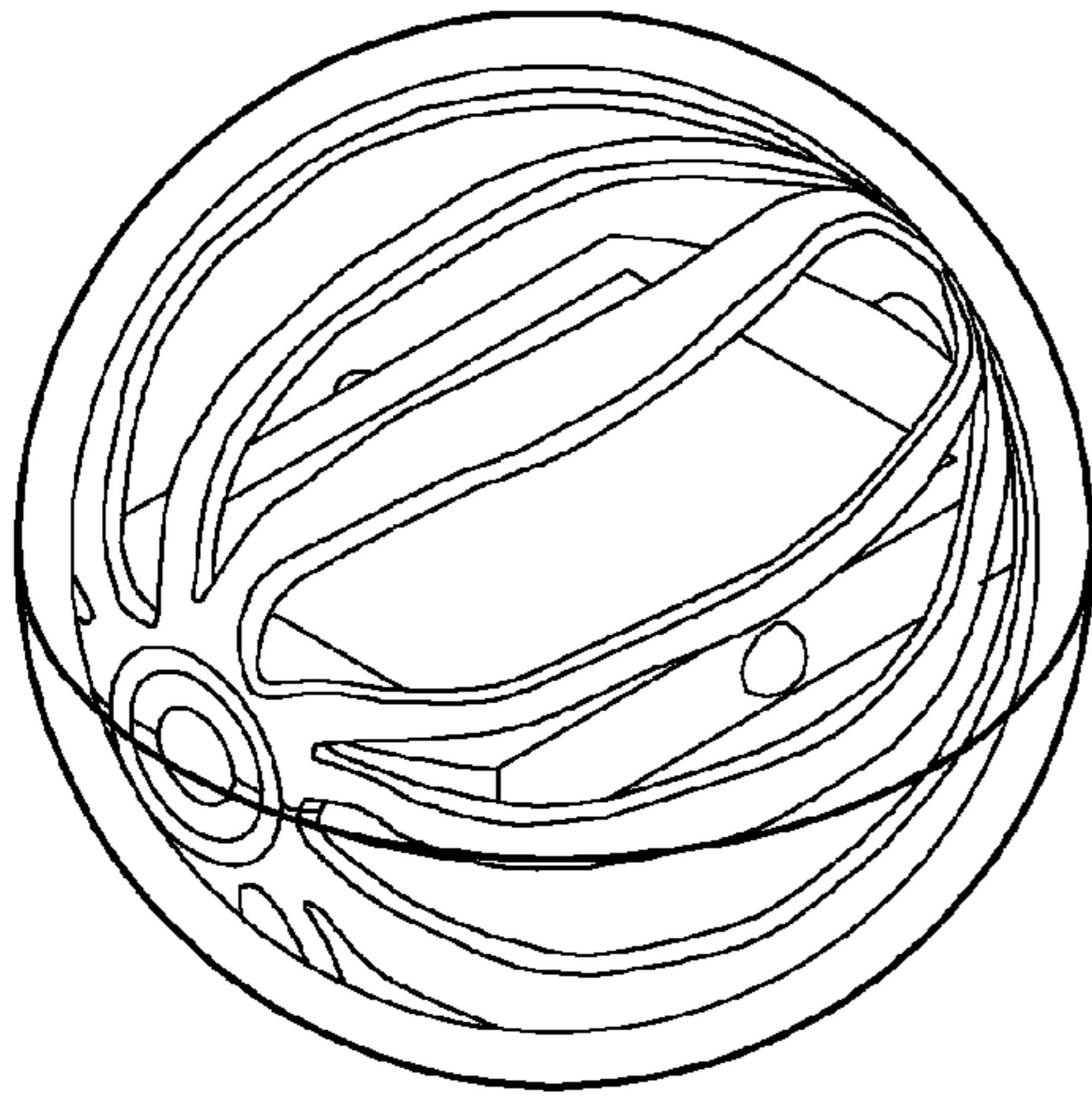


FIG. 1

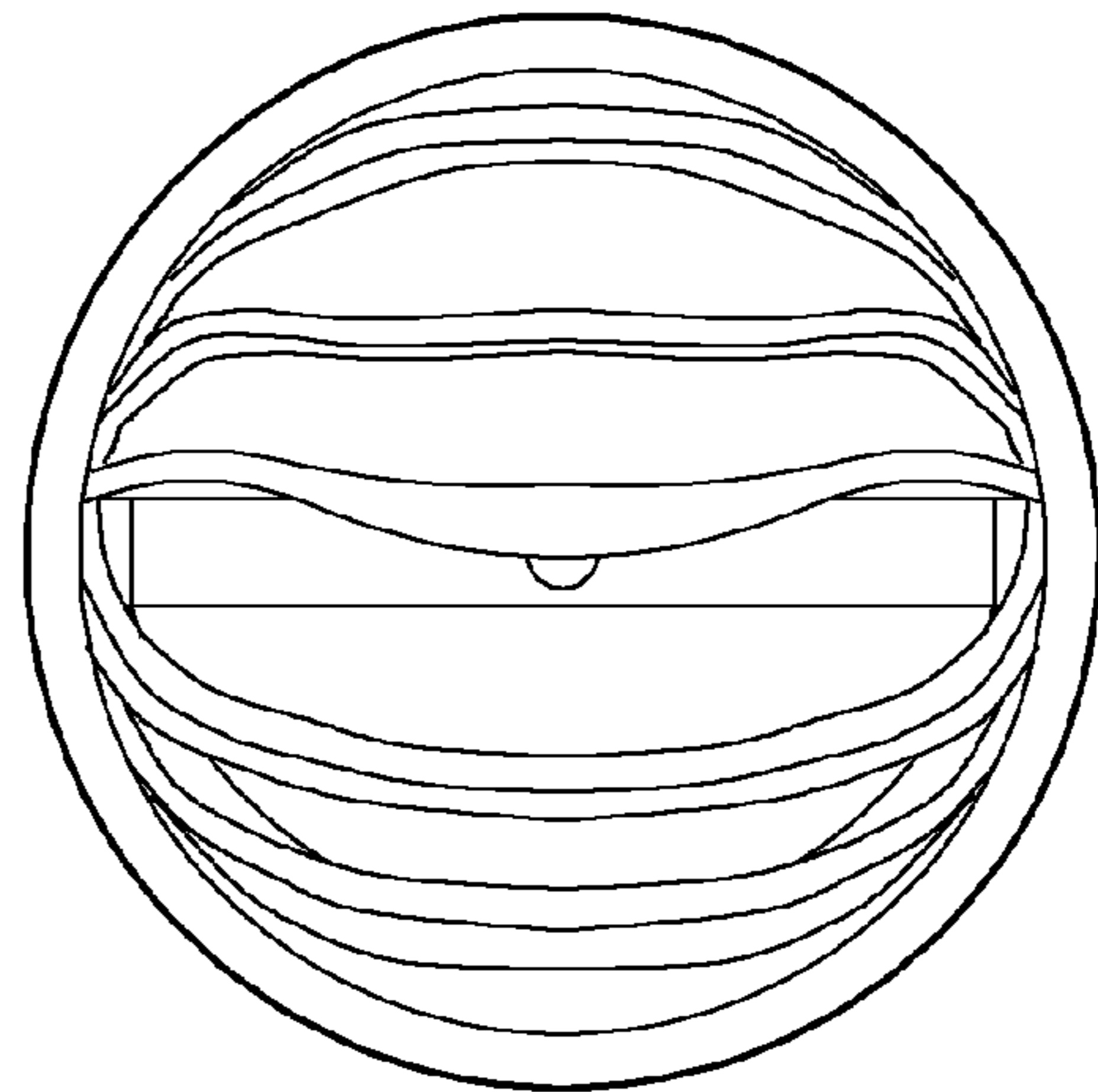


FIG. 2

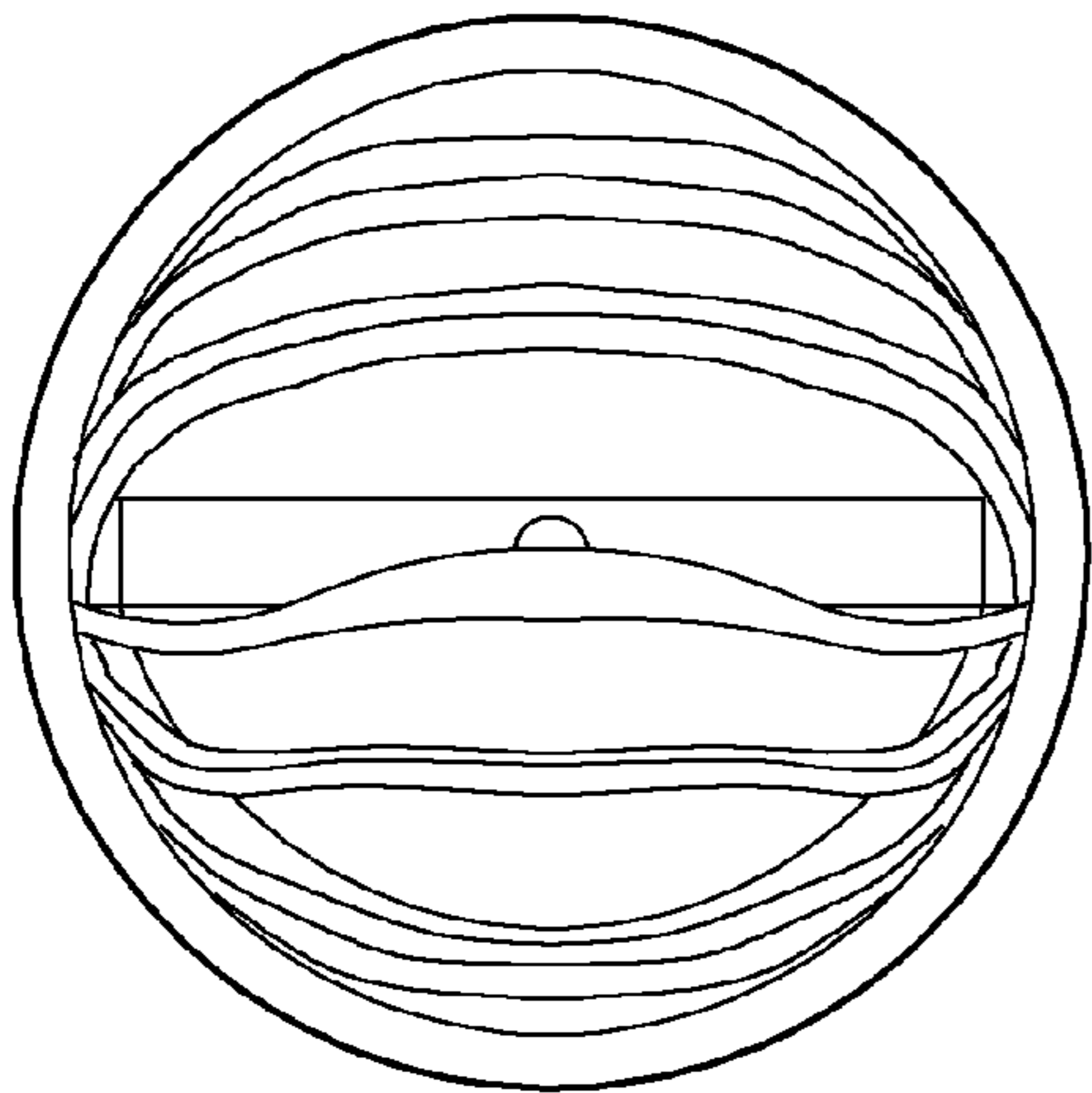


FIG. 3

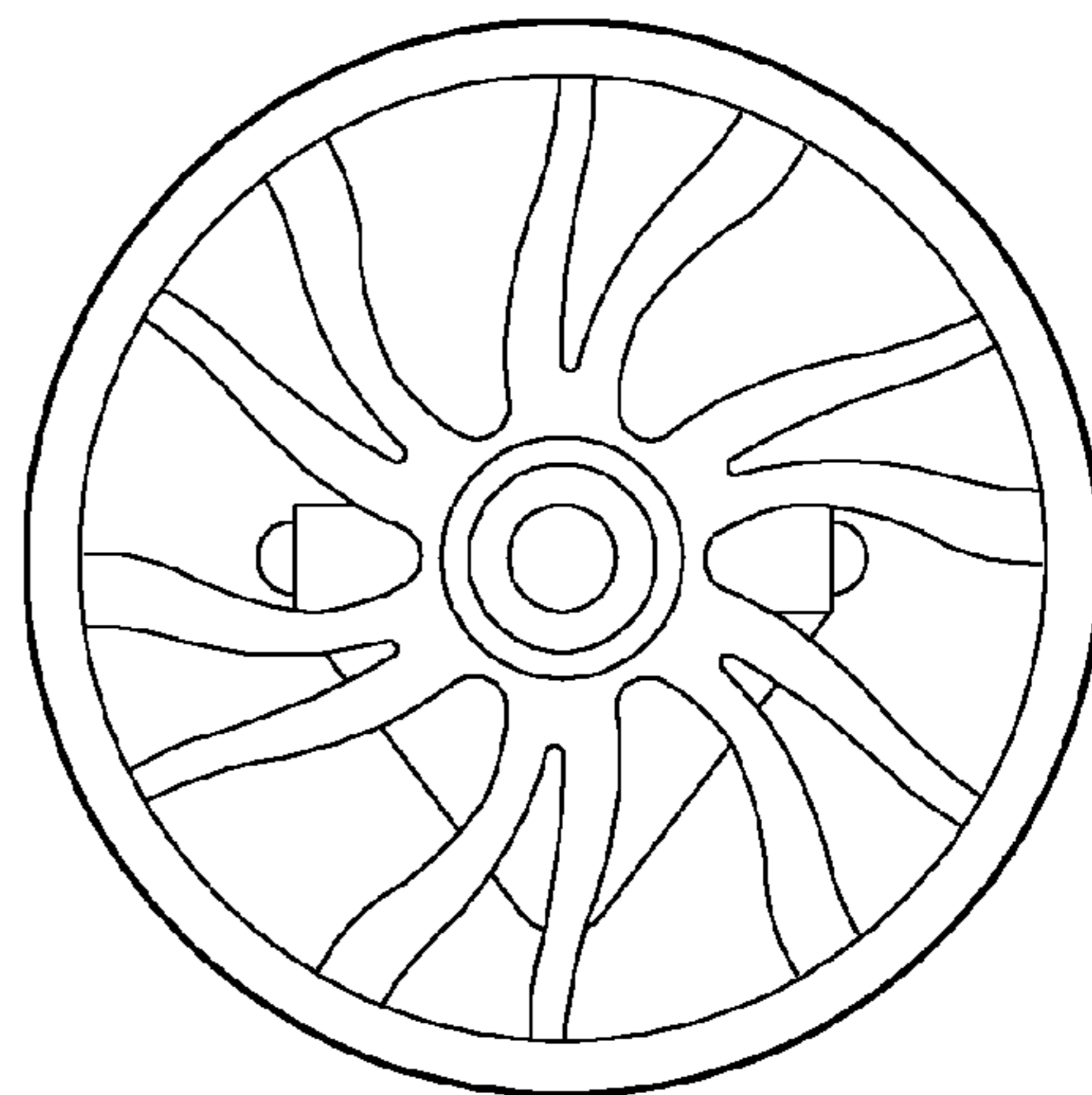


FIG. 4

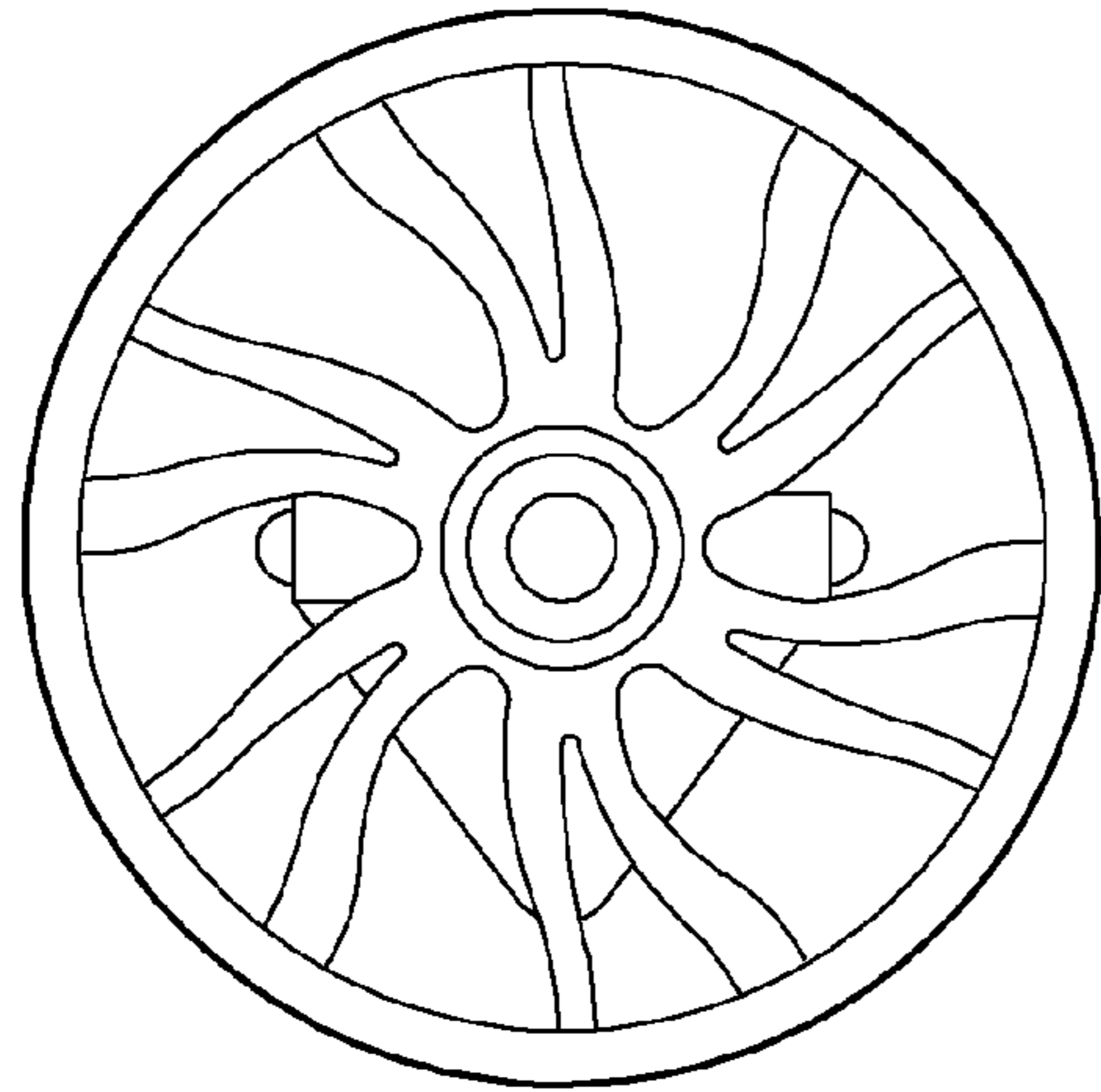


FIG. 5

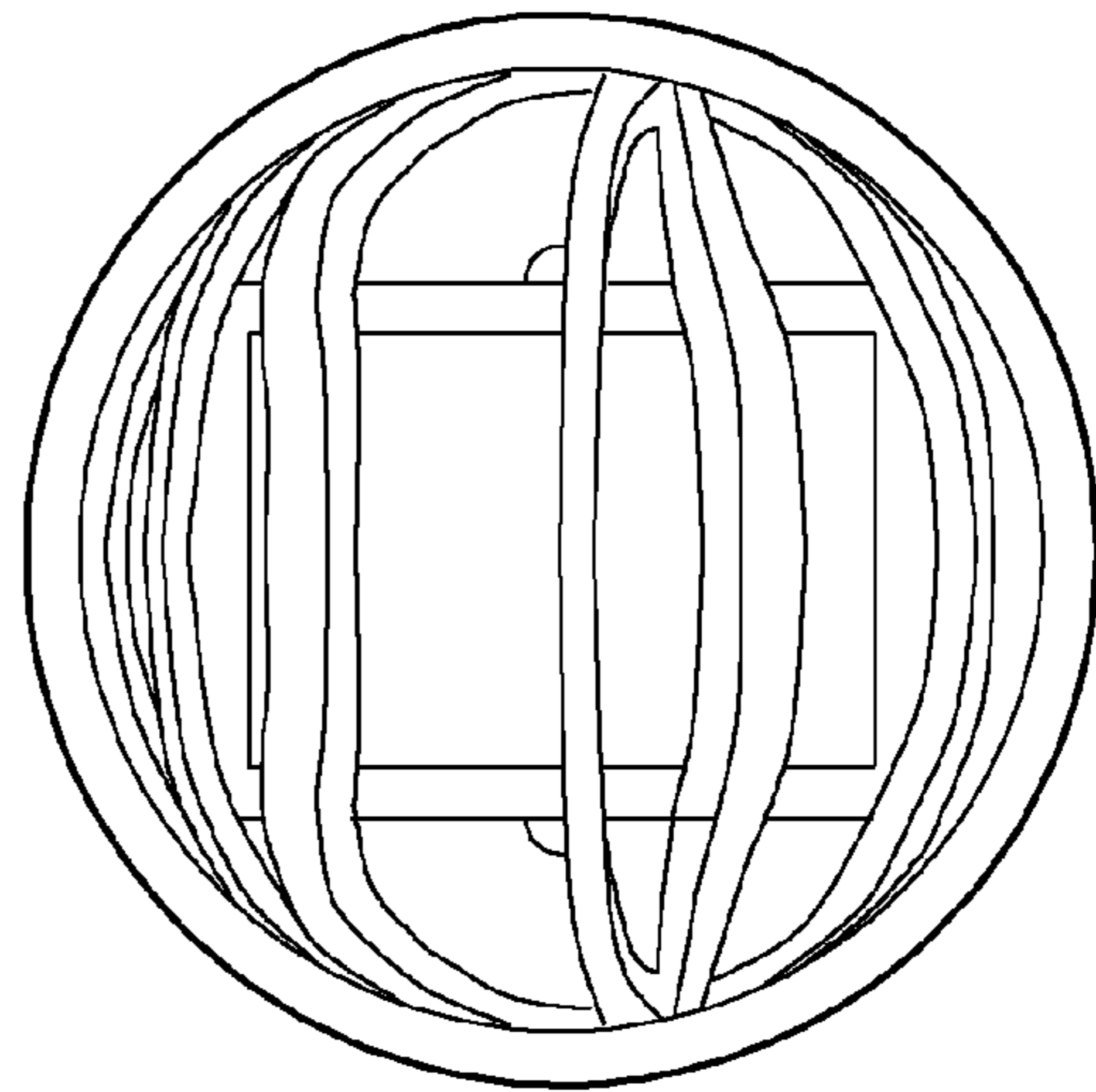


FIG. 6

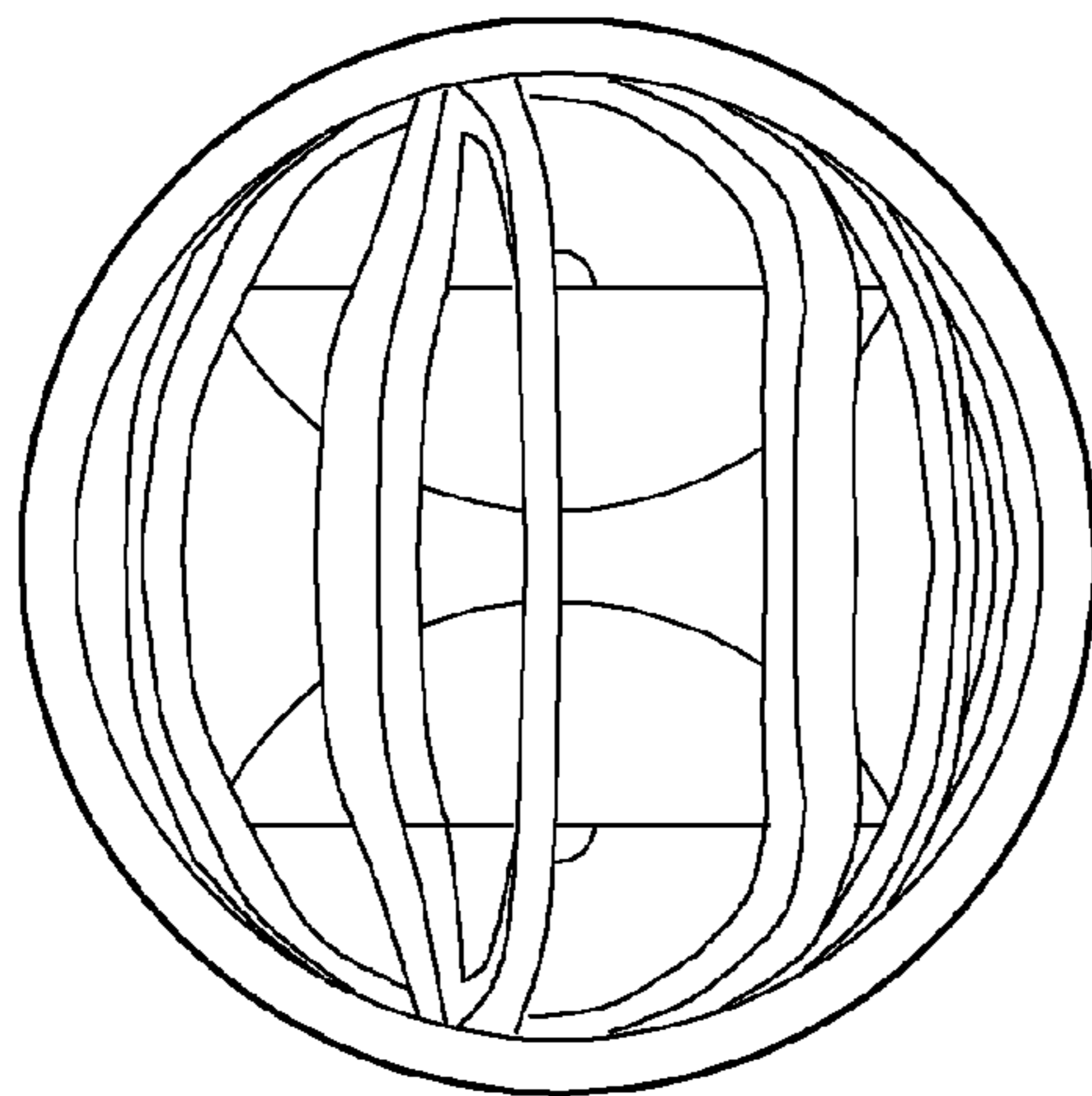


FIG. 7

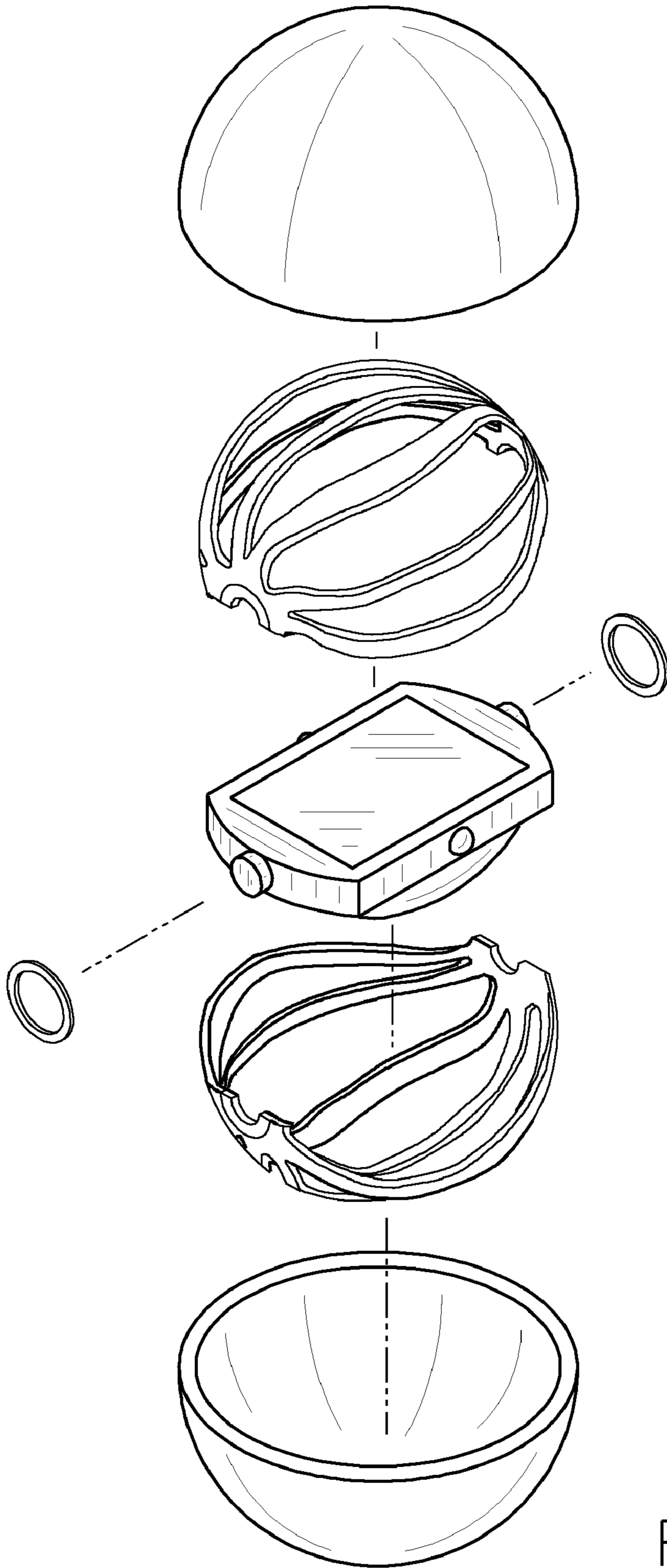


FIG. 8

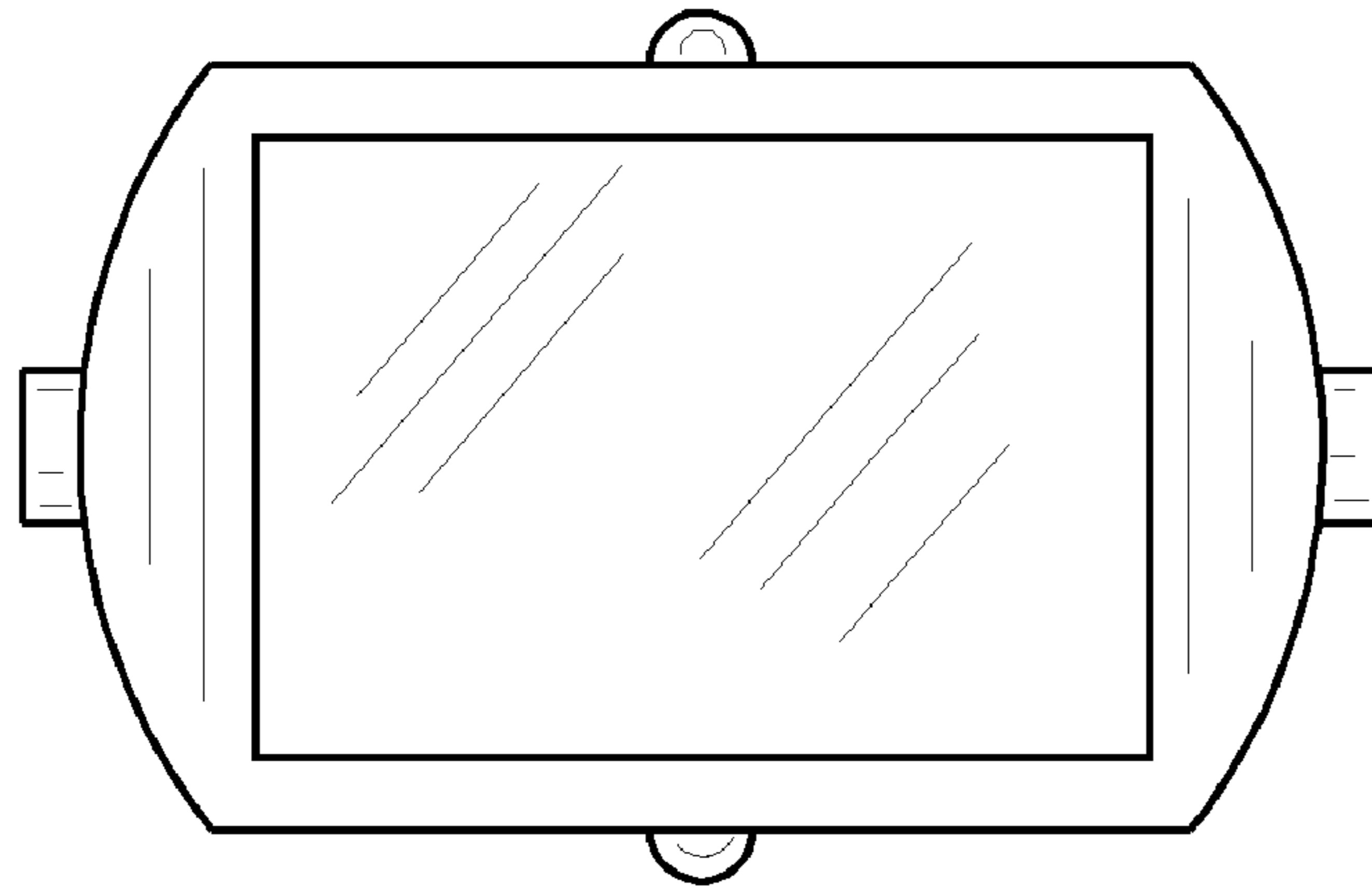


FIG. 9

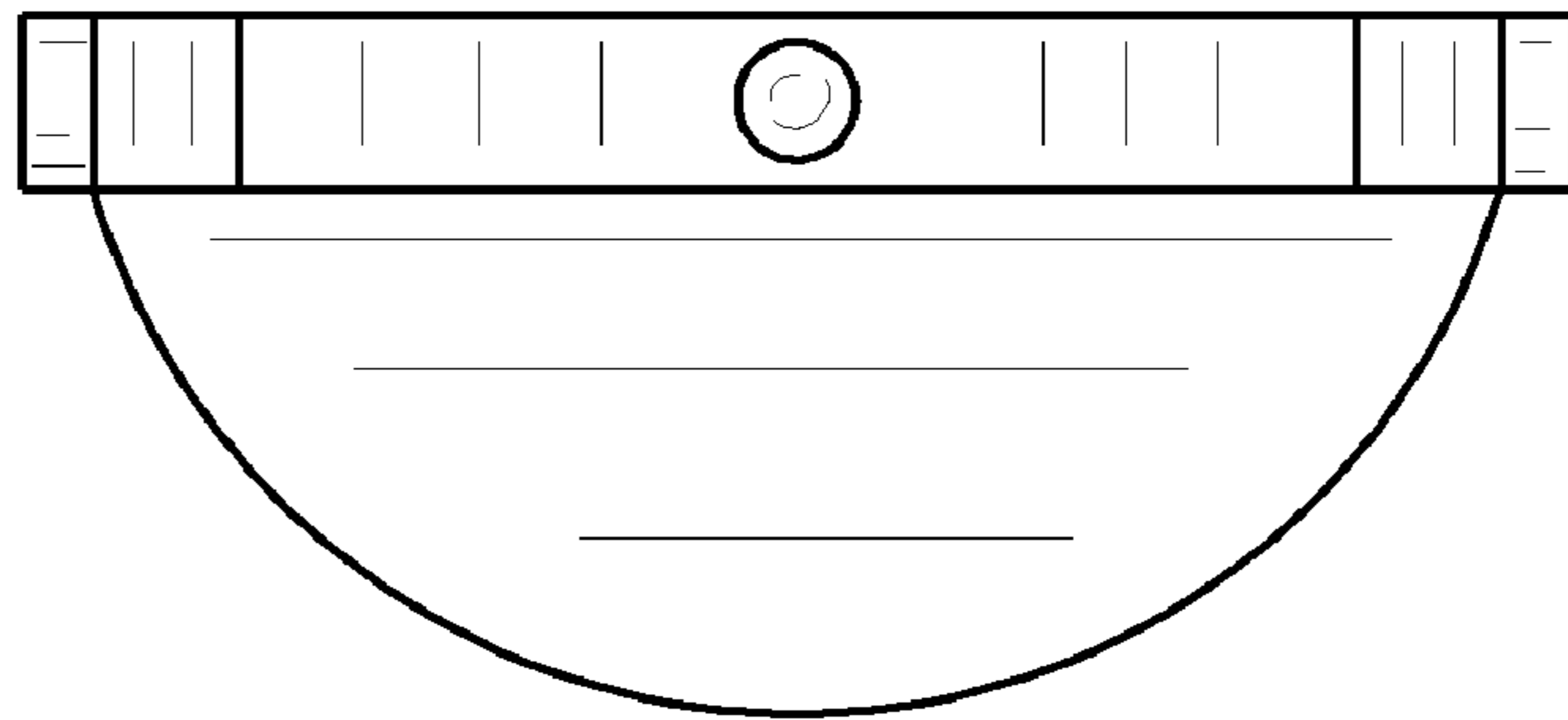


FIG. 10

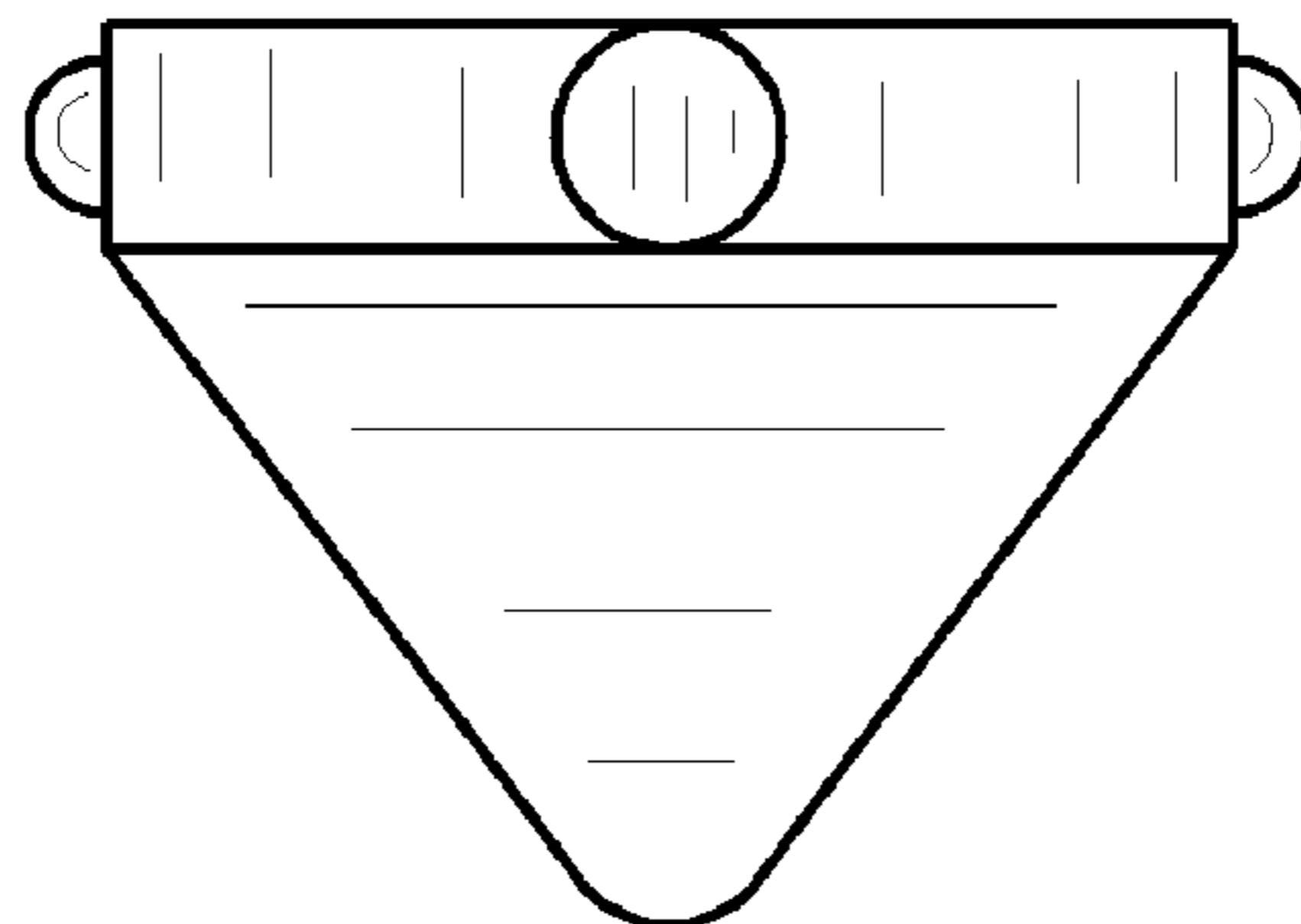


FIG. 11