



US00D642335S

(12) **United States Design Patent**
Weber

(10) **Patent No.:** **US D642,335 S**
(45) **Date of Patent:** **** Jul. 26, 2011**

- (54) **DISPENSING DEVICE FOR ANIMALS**
- (75) Inventor: **Adam Weber**, Keller, TX (US)
- (73) Assignee: **Doskocil Manufacturing Company, Inc.**, Arlington, TX (US)
- (**) Term: **14 Years**
- (21) Appl. No.: **29/359,207**
- (22) Filed: **Apr. 7, 2010**
- (51) **LOC (9) Cl.** **30-03**
- (52) **U.S. Cl.** **D30/121; D30/131**
- (58) **Field of Classification Search** D30/133, D30/121, 122, 124, 127, 128, 132; 119/51.01, 119/61, 51.04, 53, 57.91, 54, 53.5, 52.4, 119/51.11, 63, 61.2, 52.1, 57.5, 57.6, 51.13, 119/62, 75, 500, 501; 239/7, 687, 379, 397.5; 222/199, 181.1, 181.2, 185.1, 557, 156, 485, 222/486, 548, 555; 220/200, 227, 247, 262; 221/174, 185.1, 289, 295, 296, 559; 454/35; 209/270, 283, 244; 52/194, 192; 49/279, 49/344, 357; D34/28

See application file for complete search history.

(56) **References Cited**

U.S. PATENT DOCUMENTS

D4,542 S *	12/1870	Van Gaasbeek	D30/132
867,621 A *	10/1907	Tannehill	119/77
D192,850 S *	5/1962	Bishop	D30/131
D195,828 S *	8/1963	Stapleton	D30/131
3,112,733 A *	12/1963	Arnott	119/77
D199,784 S *	12/1964	Stapleton	D30/131
3,720,184 A *	3/1973	Pearce	119/51.5
D232,847 S *	9/1974	Okubo	D30/121
D234,144 S *	1/1975	Fassauer	D30/132
4,573,434 A *	3/1986	Gardner	119/77
4,721,063 A *	1/1988	Atchley	119/52.1
4,840,143 A *	6/1989	Simon	119/52.1
4,947,796 A *	8/1990	Robinette	119/51.5
D316,382 S *	4/1991	Lorenzana et al.	D11/164
D331,647 S *	12/1992	Embree	D30/124
D334,251 S *	3/1993	Tiu	D30/122

D340,553 S *	10/1993	Sahm, Jr.	D30/121
5,259,336 A *	11/1993	Clark	119/51.5
D350,842 S *	9/1994	VanSkiver	D30/121
D351,689 S *	10/1994	VanSkiver	D30/121
D352,136 S *	11/1994	Thornberg	D30/121
D353,914 S *	12/1994	Sahm, Jr.	D30/121
5,467,735 A *	11/1995	Chrisco	119/51.5
D371,643 S *	7/1996	Lillelund et al.	D30/122
D374,109 S *	9/1996	Lillelund et al.	D30/121
D374,516 S *	10/1996	Lillelund et al.	D30/132
D383,797 S *	9/1997	Finnegan	D30/132
5,687,783 A *	11/1997	Finnegan	141/364
5,699,753 A *	12/1997	Aldridge, III	119/52.1
5,794,560 A *	8/1998	Terenzi	119/51.11
5,829,386 A *	11/1998	Wenstrand	119/77
5,845,600 A *	12/1998	Mendes	119/51.5
D406,924 S *	3/1999	Kolozsvari	D30/121
D406,926 S *	3/1999	Kolozsvari	D30/132

(Continued)

Primary Examiner — Susan Moon Lee

(74) *Attorney, Agent, or Firm* — Dorsey & Whitney LLP

(57) **CLAIM**

I claim the ornamental design for a dispensing device for animals.

DESCRIPTION

FIG. 1 is a top-left perspective view of a dispensing device for animals.

FIG. 2 is a right-side elevation view of the dispensing device for animals of FIG. 1.

FIG. 3 is a left-side elevation view of the dispensing device for animals of FIG. 1.

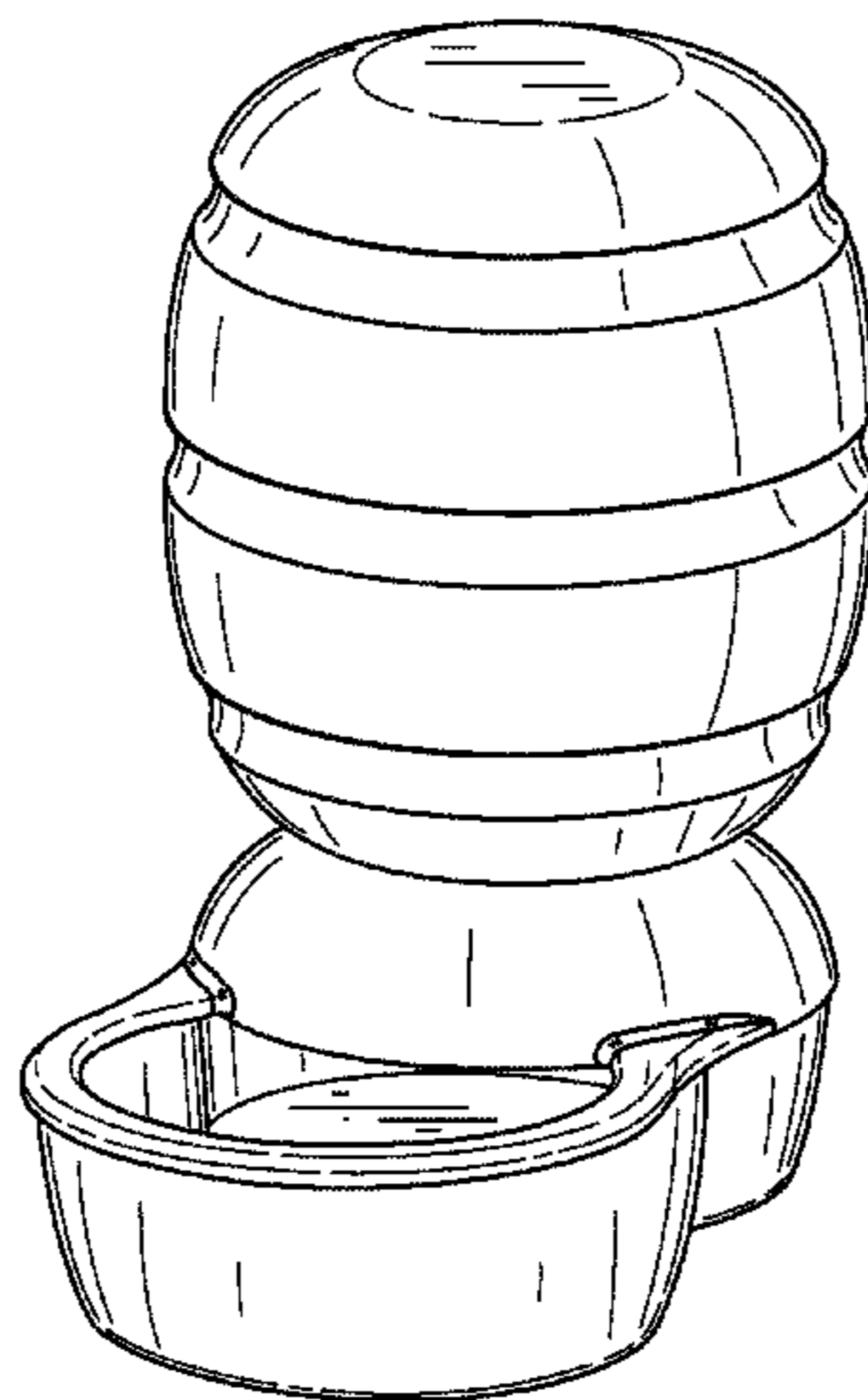
FIG. 4 is a front elevation view of the dispensing device for animals of FIG. 1.

FIG. 5 is a rear elevation view of the dispensing device for animals FIG. 1.

FIG. 6 is a top plan view of the dispensing device for animals of FIG. 1; and,

FIG. 7 is a bottom plan view of the dispensing device for animals of FIG. 1.

1 Claim, 6 Drawing Sheets



US D642,335 S

Page 2

U.S. PATENT DOCUMENTS

6,055,932	A *	5/2000	Weber	119/52.1	6,880,484	B1 *	4/2005	Lee	119/74
6,079,361	A *	6/2000	Bowell et al.	119/72	6,928,954	B2 *	8/2005	Krishnamurthy	119/51.5
D432,279	S *	10/2000	Kim	D30/121	7,040,249	B1 *	5/2006	Mushen	119/51.5
D455,526	S *	4/2002	Chrisco et al.	D30/121	D537,353	S *	2/2007	Bailey et al.	D9/540
D457,692	S *	5/2002	Skurdalsvold et al.	D30/132	D540,492	S *	4/2007	Gorr	D30/131
6,467,428	B1 *	10/2002	Andrisin et al.	119/51.5	D563,605	S *	3/2008	Morris et al.	D30/122
6,477,981	B1 *	11/2002	Harper	119/52.4	7,699,025	B2 *	4/2010	Ho	119/51.5
6,705,109	B2 *	3/2004	DeMars	62/457.2	D633,659	S *	3/2011	Lai	D30/121
6,739,284	B1 *	5/2004	Olive	119/74	2002/0096120	A1 *	7/2002	Busha	119/51.5
6,789,503	B1 *	9/2004	Gao	119/51.11	2003/0029867	A1 *	2/2003	Vicknair	220/23.87
D497,224	S *	10/2004	Remy	D30/121	2004/0118356	A1 *	6/2004	Krishnamurthy	119/74
6,863,025	B2 *	3/2005	Ness	119/72	2004/0134438	A1 *	7/2004	Ticktin	119/65
6,866,004	B1 *	3/2005	Lush	119/52.1	2010/0024735	A1 *	2/2010	Ho	119/51.5
D504,545	S *	4/2005	Morosin et al.	D30/122	2010/0122660	A1 *	5/2010	Willett	119/51.5

* cited by examiner

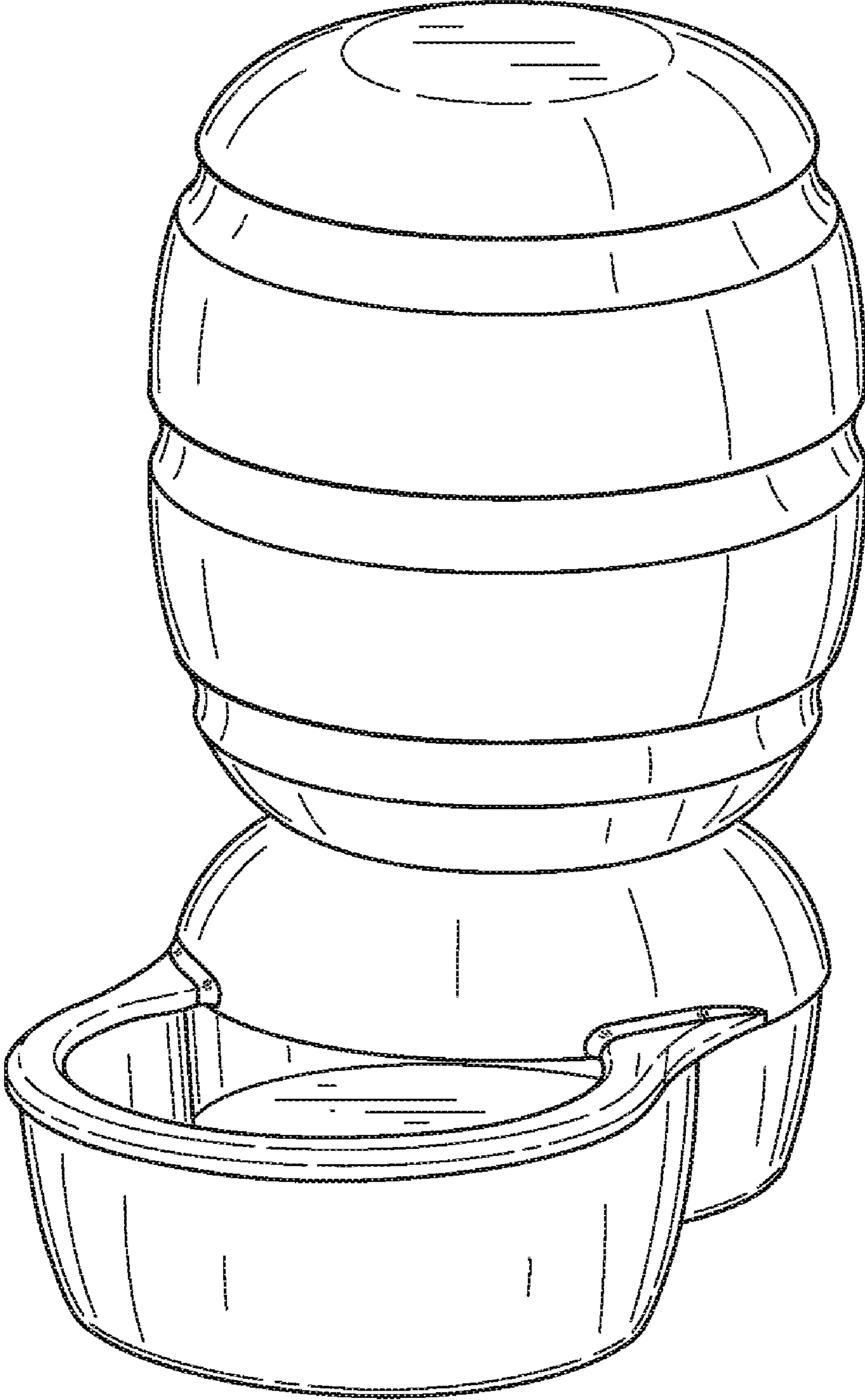


FIG. 1

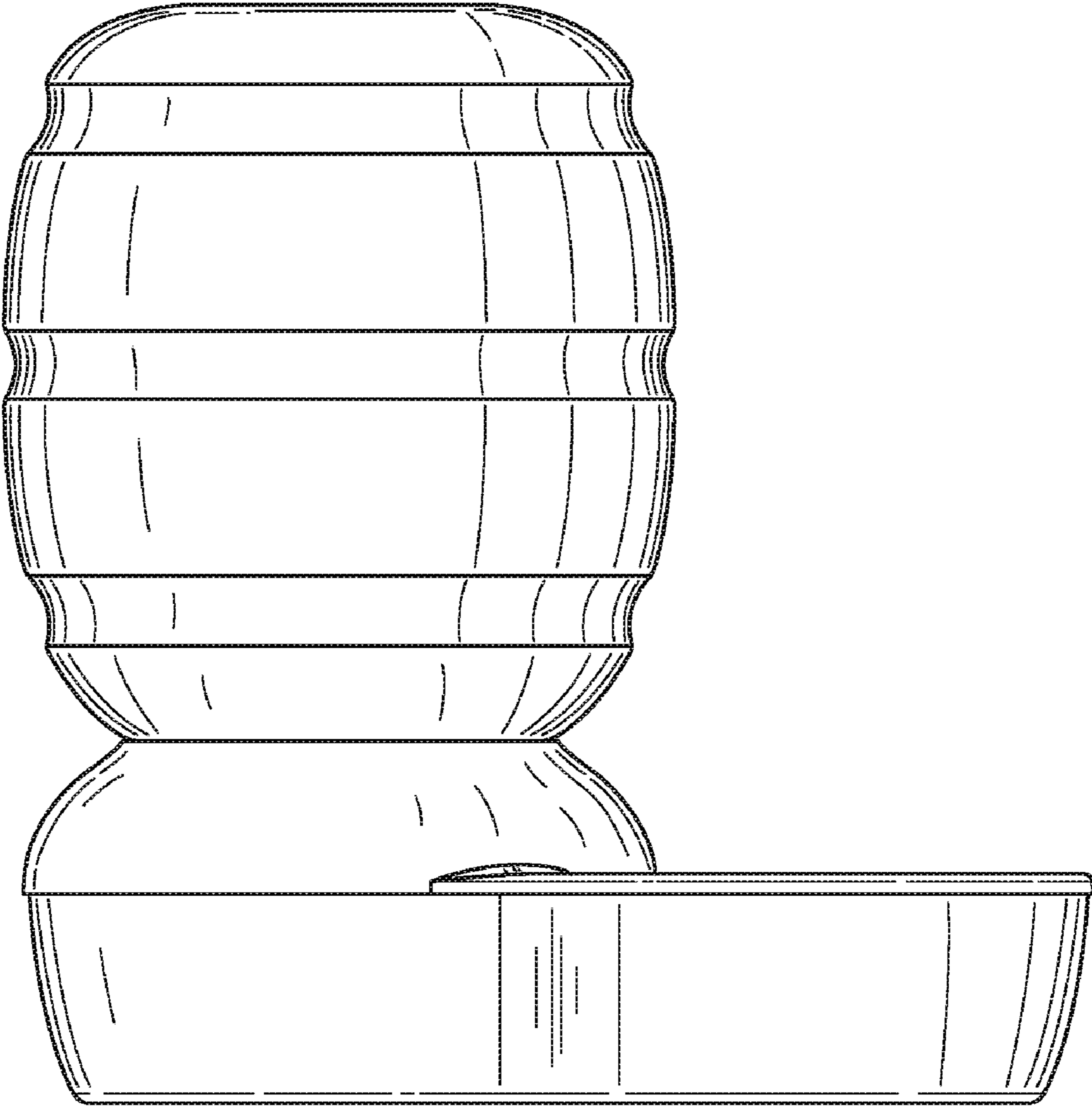


FIG.2

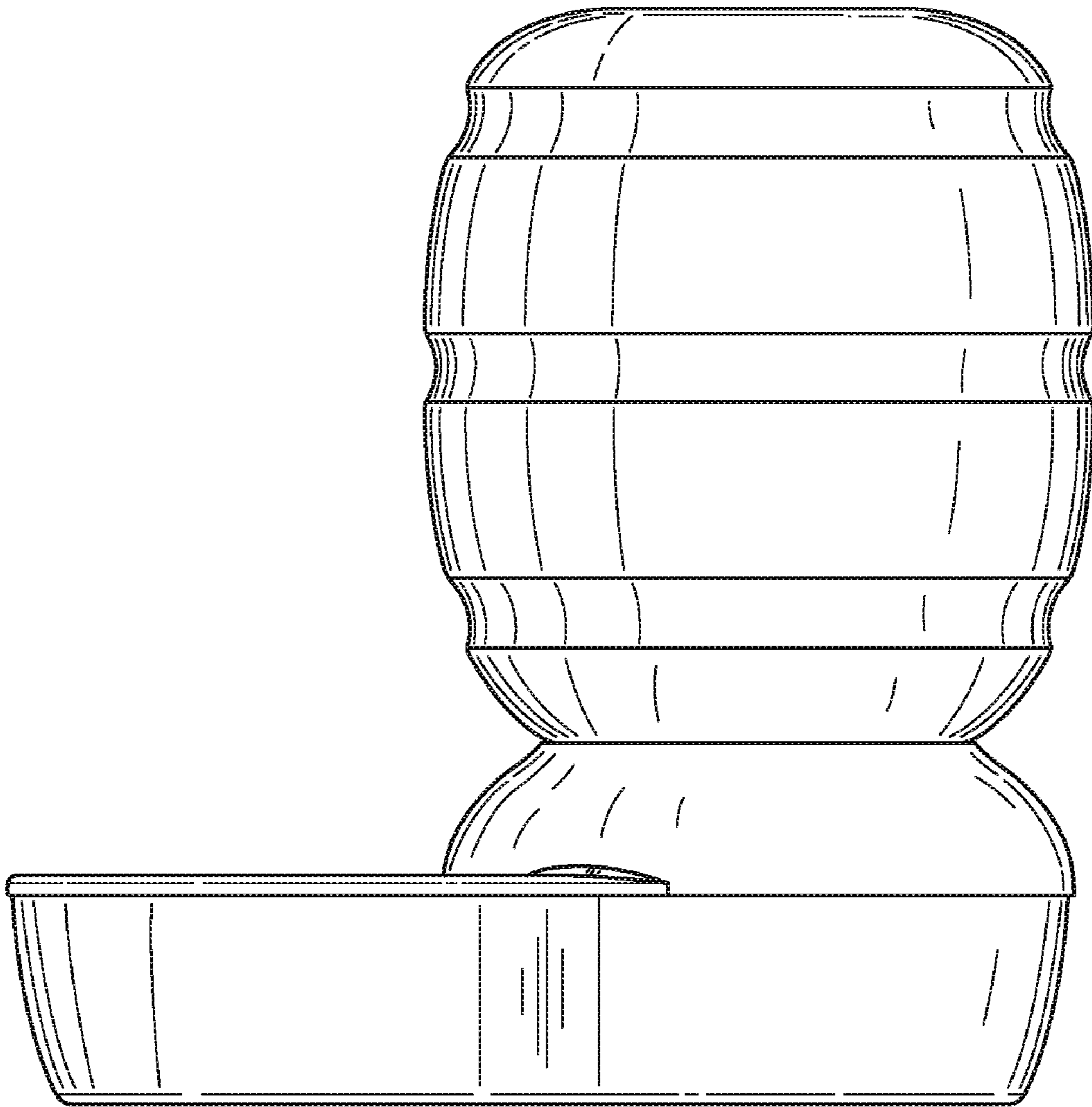


FIG.3

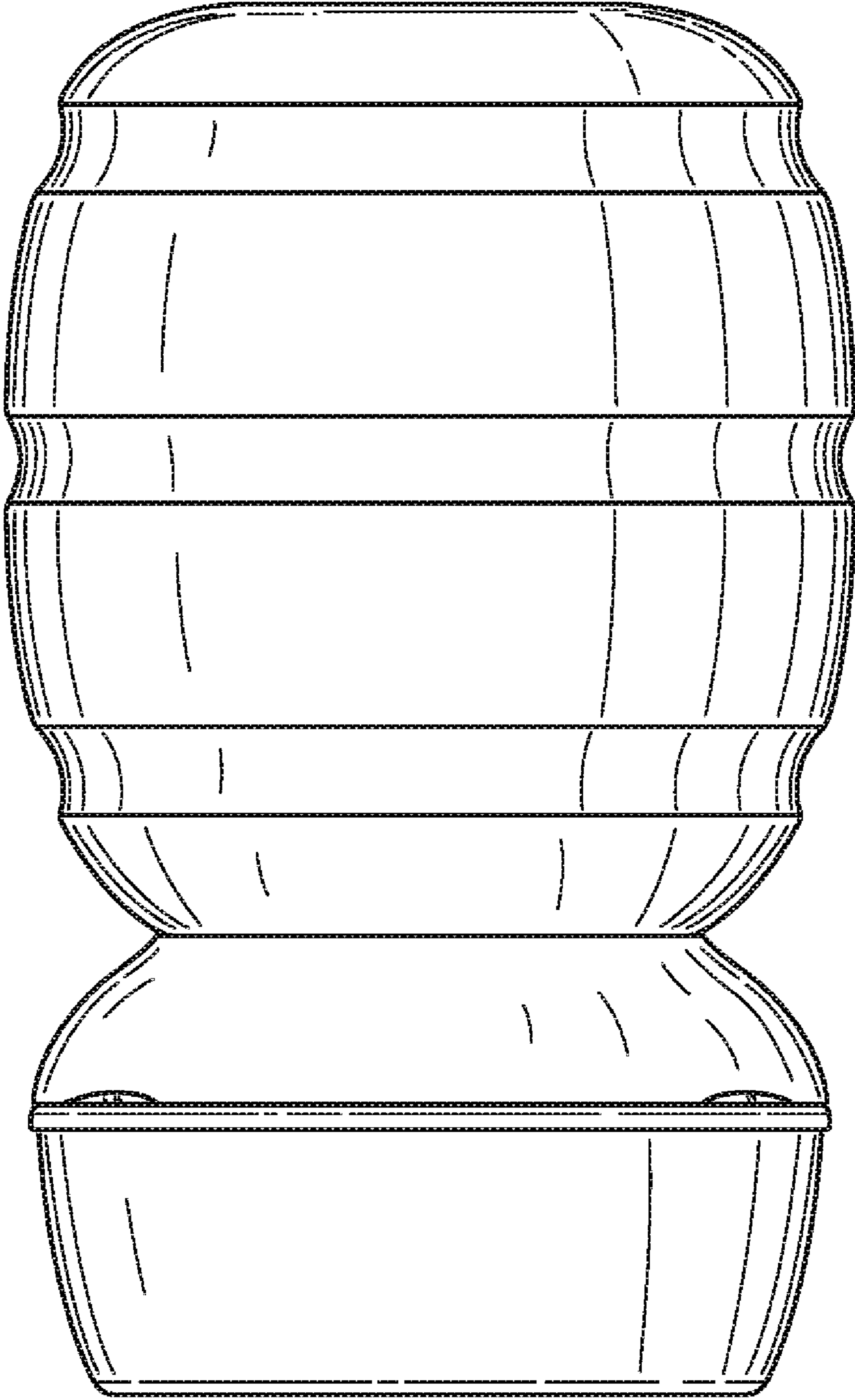


FIG.4

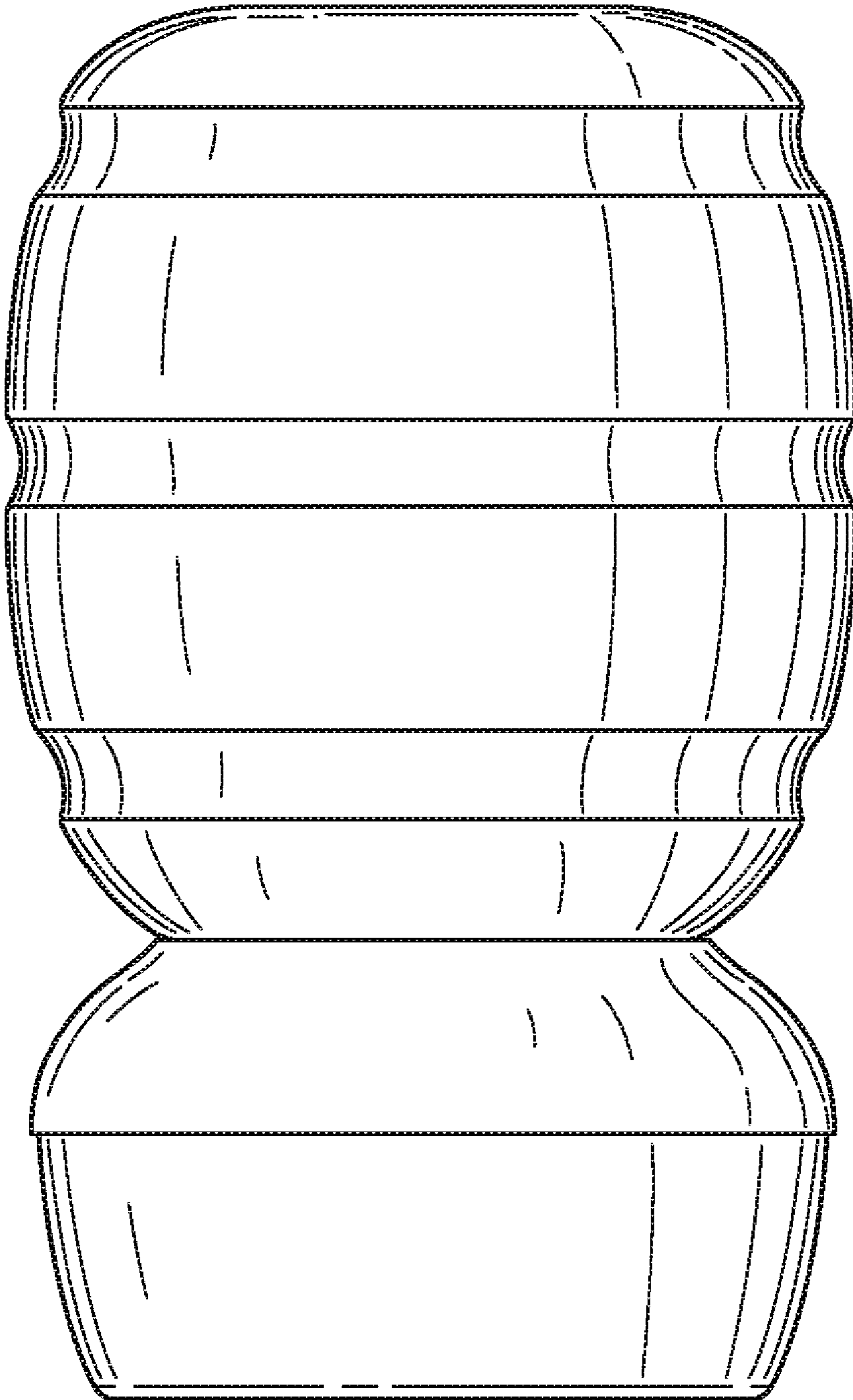


FIG. 5

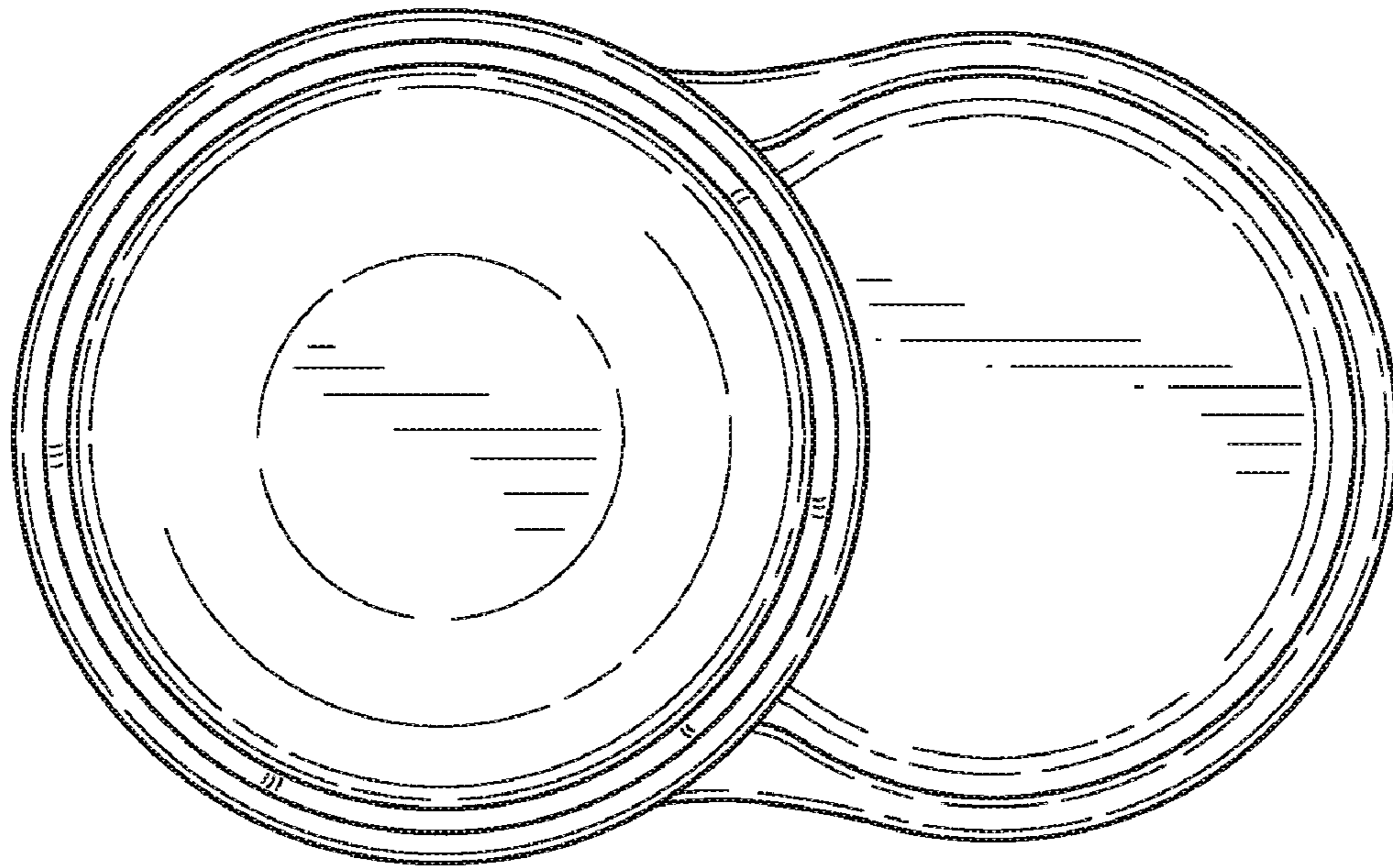


FIG. 6

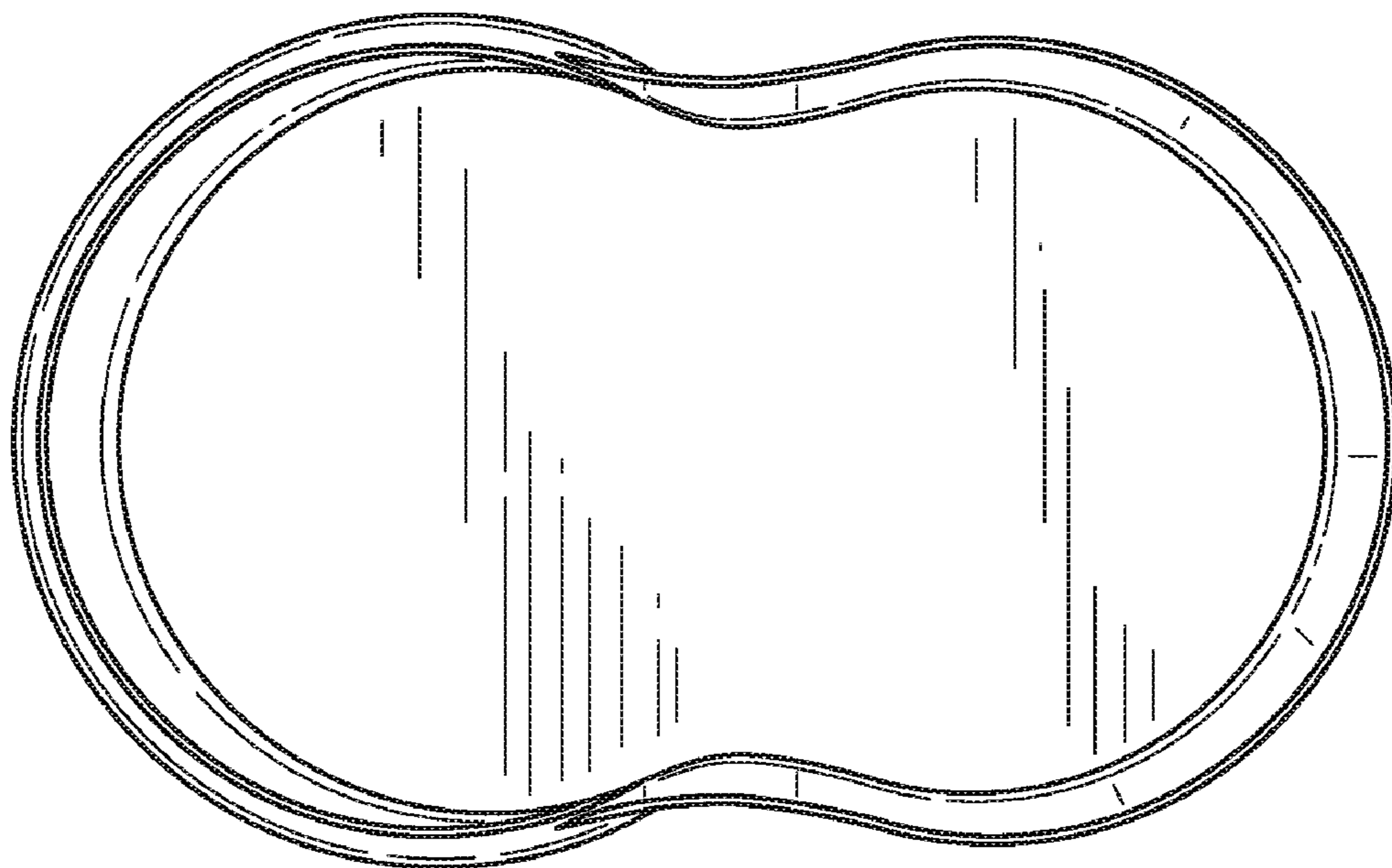


FIG. 7