



US00D642329S

(12) **United States Design Patent**  
**Weiss**

(10) **Patent No.:** **US D642,329 S**  
(45) **Date of Patent:** **\*\* Jul. 26, 2011**

(54) **BASE FOR A REPLACEABLE LIGHTING UNIT**

(75) Inventor: **William J. Weiss**, Boca Raton, FL (US)

(73) Assignee: **MSI, LLC**, Deerfield, FL (US)

(\*\*) Term: **14 Years**

(21) Appl. No.: **29/382,499**

(22) Filed: **Jan. 4, 2011**

D327,132 S	6/1992	Schuster	
D329,710 S	9/1992	Muller et al.	
D384,173 S	9/1997	Godyak et al.	
5,757,110 A	5/1998	Motiduki et al.	
D395,092 S	6/1998	Vakil	
D398,407 S	9/1998	O'Connell et al.	
D421,138 S *	2/2000	Kato et al.	D26/3
D433,167 S *	10/2000	Yim	D26/2
D435,576 S	12/2000	McBride	
D435,577 S	12/2000	McBride	
D463,584 S	9/2002	Yim	
6,511,209 B1 *	1/2003	Chiang	362/294
D469,890 S	2/2003	Bobel	

(Continued)

**Related U.S. Application Data**

(60) Continuation of application No. 29/360,855, filed on Apr. 30, 2010, now Pat. No. Des. 635,293, which is a division of application No. 29/346,618, filed on Nov. 3, 2009, now Pat. No. Des. 615,698.

(51) **LOC (9) Cl.** ..... **26-99**

(52) **U.S. Cl.** ..... **D26/142**

(58) **Field of Classification Search** ..... D26/118,  
D26/138, 2, 24, 26, 28, 37, 74, 142, 152,  
D26/63, 68, 140, 80, 72, 76, 78, 92, 113,  
D26/119, 120, 121, 122, 123, 124, 128, 129,  
D26/130, 145, 147, 153, 154, 155, 65, 71,  
D26/85, 88, 89, 90, 84, 75, 107, 87; 362/394,  
362/364, 365, 147, 418, 293, 362, 326, 290,  
362/249.01-249.11, 148, 396, 287, 275,  
362/276; 250/342, 347; D25/123, 138; 439/111,  
439/121, 122, 119, 120; D13/134, 179, 180,  
D13/133

See application file for complete search history.

(56) **References Cited**

**U.S. PATENT DOCUMENTS**

4,497,016 A *	1/1985	Sachse	362/294
D284,792 S	7/1986	Thiry et al.	
D286,914 S *	11/1986	Bedel	D26/3
D306,765 S	3/1990	Pavelin	
D309,503 S	7/1990	Benson et al.	
D321,762 S	11/1991	Mujahid et al.	

*Primary Examiner* — Cathron Brooks

*Assistant Examiner* — Kevin Rudzinski

(74) *Attorney, Agent, or Firm* — Daniel C. Crilly; GrayRobinson, P.A.

(57) **CLAIM**

The ornamental design for a base for a replaceable lighting unit, as shown and described.

**DESCRIPTION**

This application is also related to U.S. application Ser. No. 29/346,612, now U.S. Patent No. D613,434 S.

FIG. 1 is a front perspective view of my ornamental design for a base for a replaceable lighting unit.

FIG. 2 is a rear perspective view thereof.

FIG. 3 is a front elevational view thereof.

FIG. 4 is a rear elevational view thereof.

FIG. 5 is a bottom plan view thereof.

FIG. 6 is a top plan view thereof.

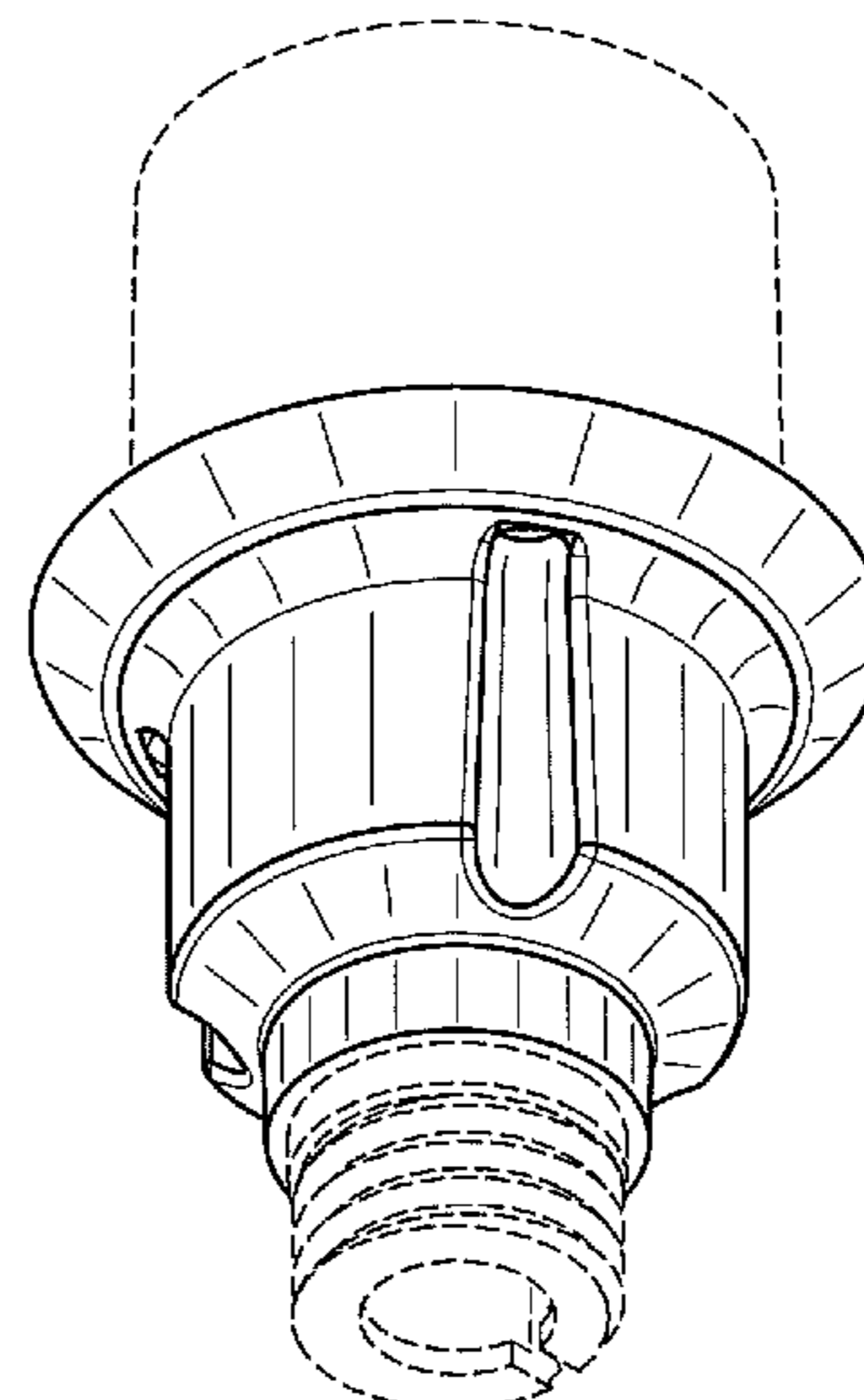
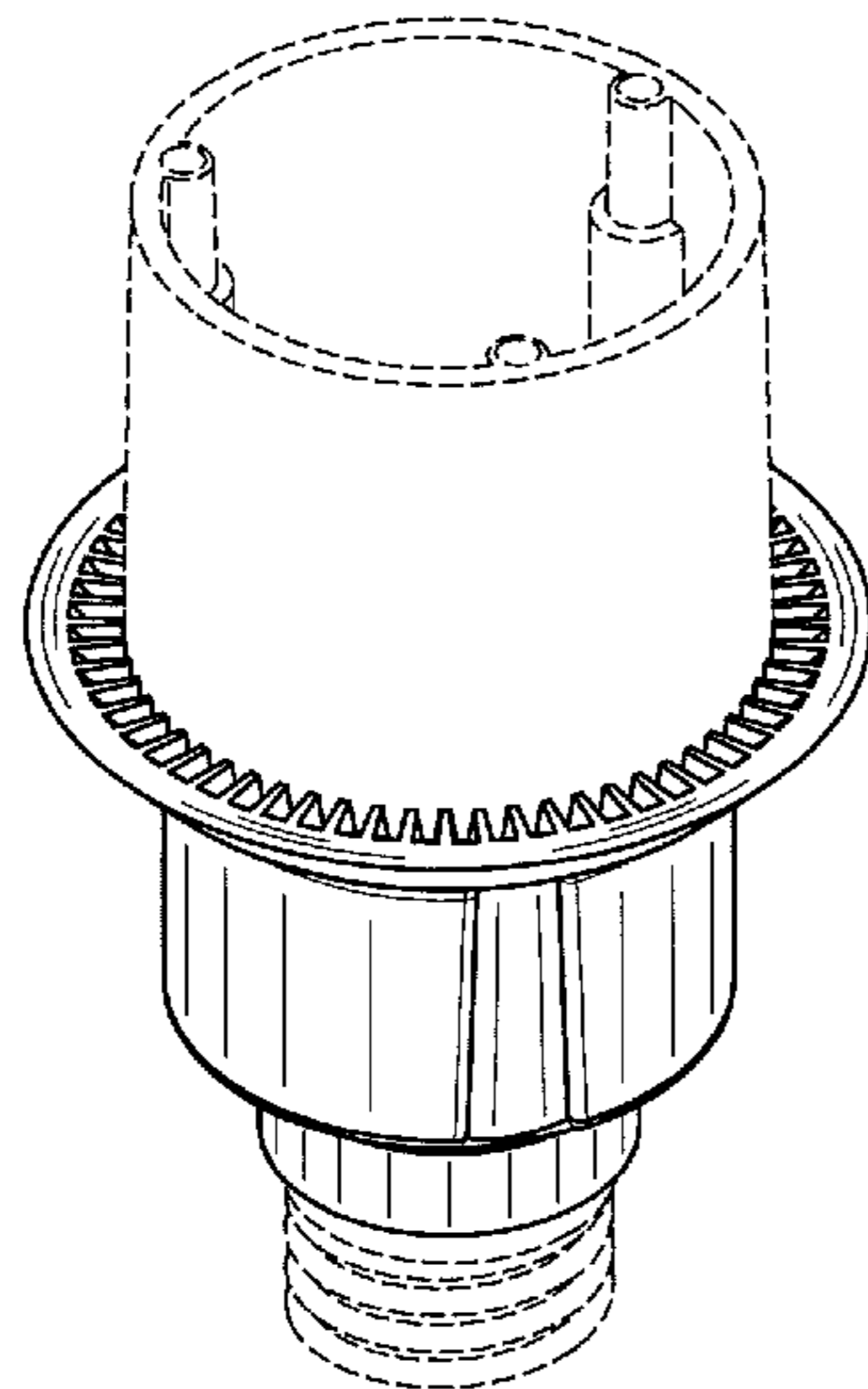
FIG. 7 is a left side elevational view thereof.

FIG. 8 is a right side elevational view thereof; and,

FIG. 9 is a rear, bottom perspective view thereof in a position of use in a replaceable lighting unit.

The structures shown in broken lines in FIGS. 1-9 form no part of the claimed design and are included only to illustrate an environment.

**1 Claim, 5 Drawing Sheets**



# US D642,329 S

Page 2

## U.S. PATENT DOCUMENTS

D470,604 S	2/2003	Bobel	
D470,606 S	2/2003	Bobel	
6,739,737 B2 *	5/2004	Yu .....	362/300
D498,007 S	11/2004	Bobel	
D519,455 S	4/2006	Tufano et al.	
D532,532 S	11/2006	Maxik	
D542,425 S *	5/2007	Wang .....	D26/2
D542,943 S	5/2007	Wang	
D544,109 S *	6/2007	Tsuruha et al. ....	D26/2
D544,110 S	6/2007	Hooker et al.	
D545,456 S	6/2007	Foo	
D546,980 S	7/2007	Lo	
D547,886 S	7/2007	Foo	
D561,917 S	2/2008	Tsao	
D566,300 S	4/2008	Lo	
D581,555 S	11/2008	To et al.	
D582,578 S	12/2008	Tsai et al.	
D587,823 S	3/2009	Li	
D593,223 S	5/2009	Komar	
D593,706 S	6/2009	Zayas et al.	
D596,764 S	7/2009	Yang et al.	
D598,143 S	8/2009	Gerritsen	
D601,721 S	10/2009	Foo	
D602,178 S	10/2009	Foo	
D602,181 S	10/2009	Foo	
D603,982 S	11/2009	Foo	
D604,434 S *	11/2009	Wada et al. ....	D26/2
D610,271 S *	2/2010	Bi .....	D26/2
D610,722 S *	2/2010	Bi .....	D26/2
D613,434 S *	4/2010	Weiss .....	D26/2
D614,782 S *	4/2010	Foo .....	D26/2
D615,698 S *	5/2010	Weiss .....	D26/142

\* cited by examiner

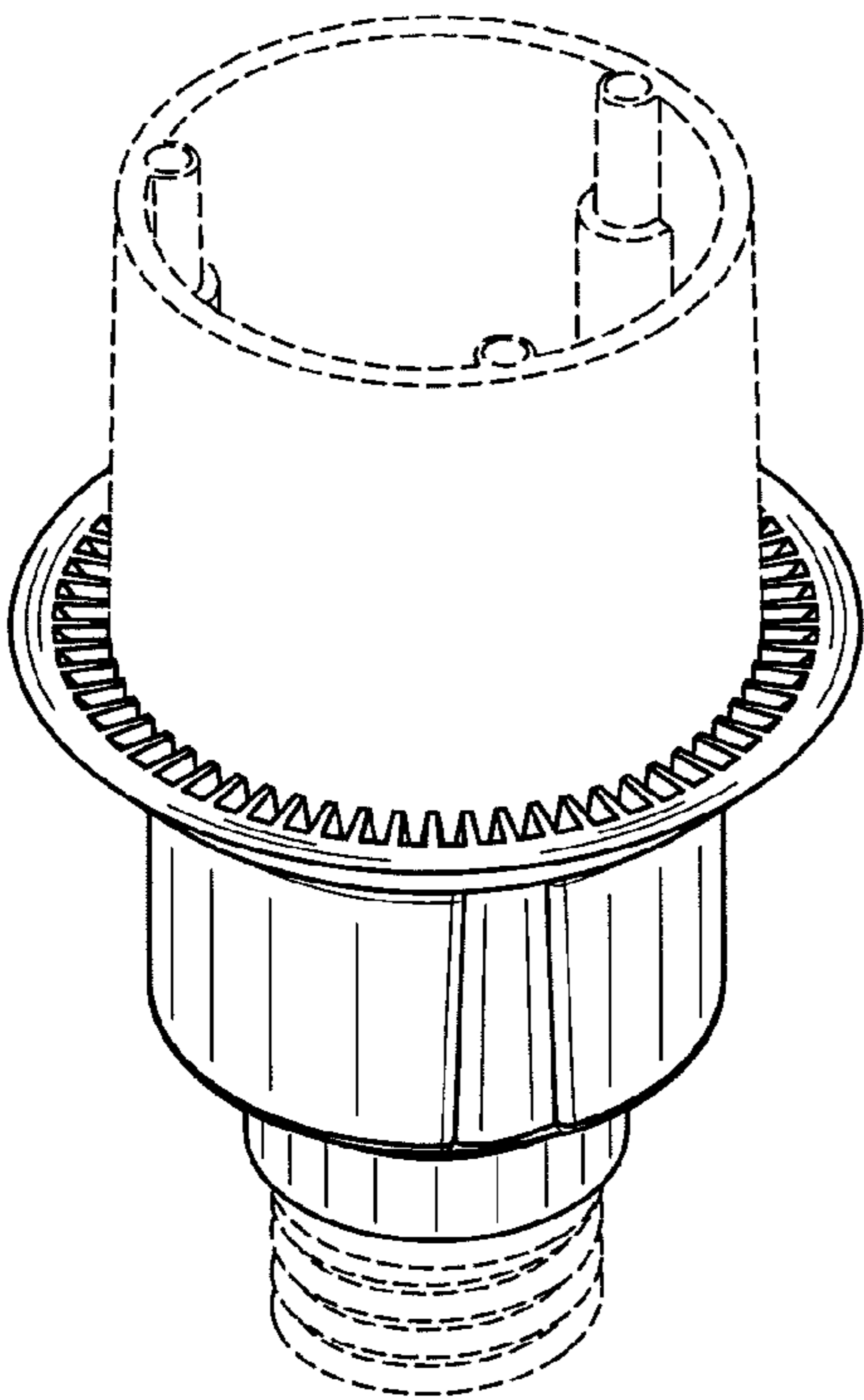


FIG. 1

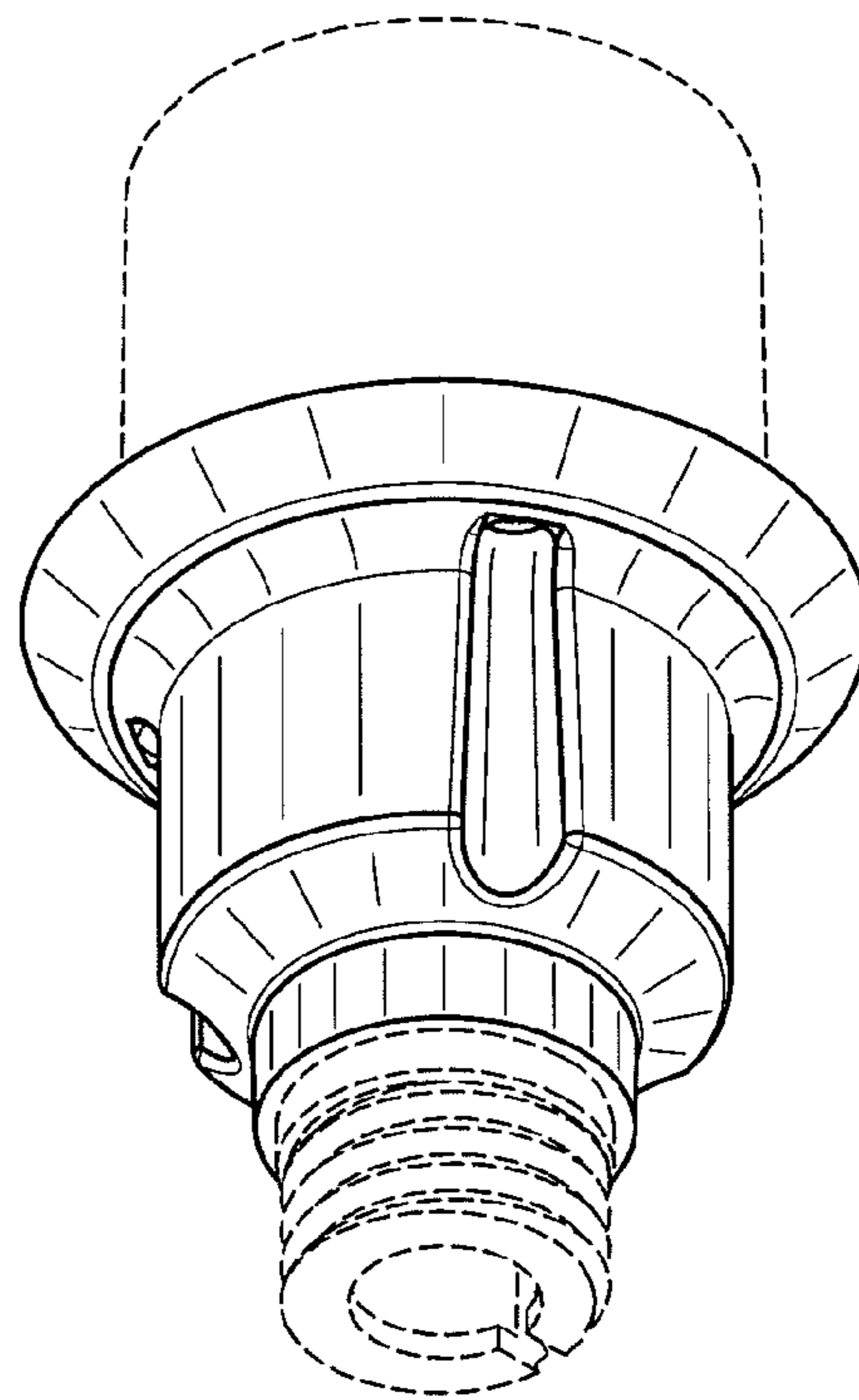


FIG. 2

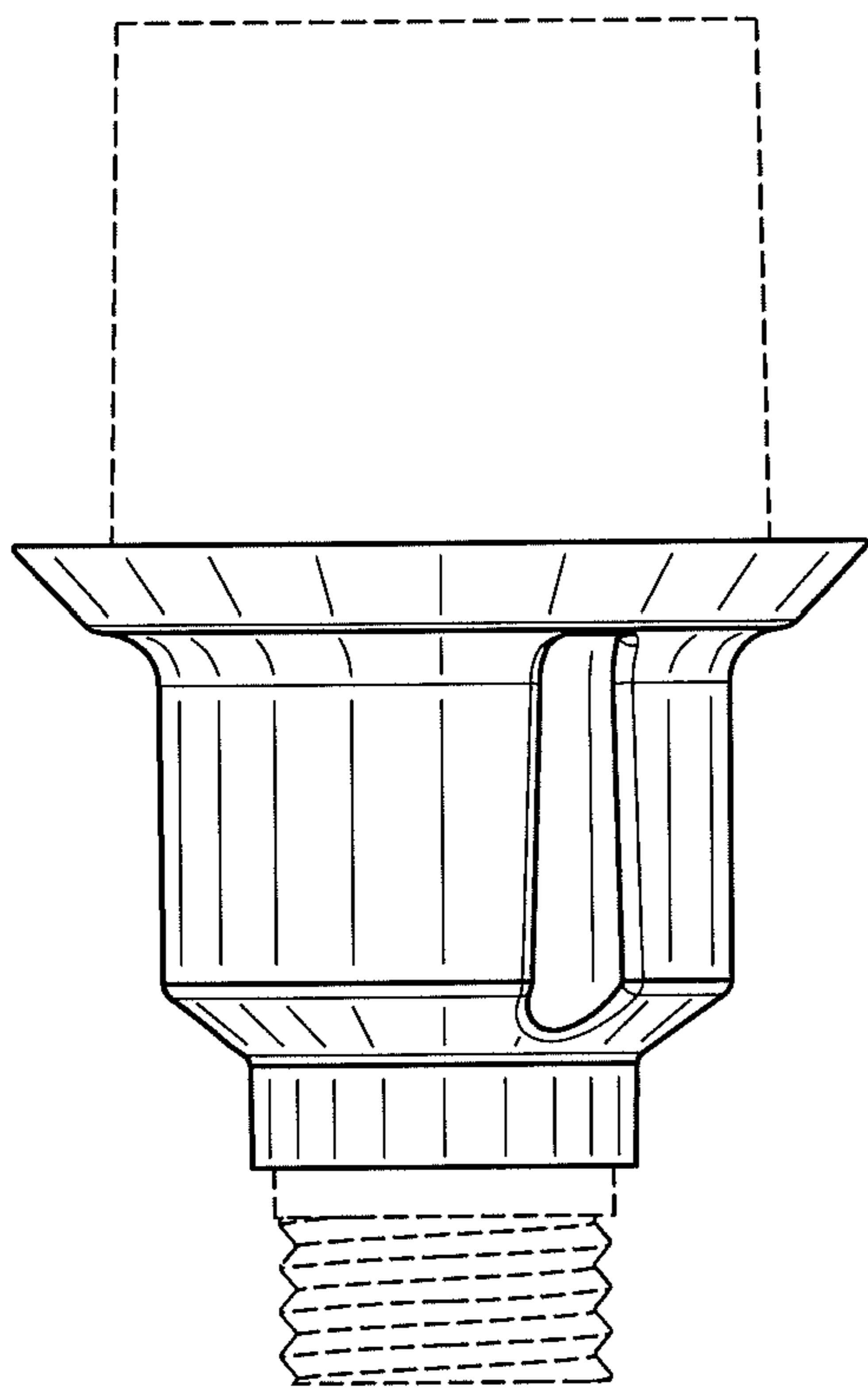


FIG. 3

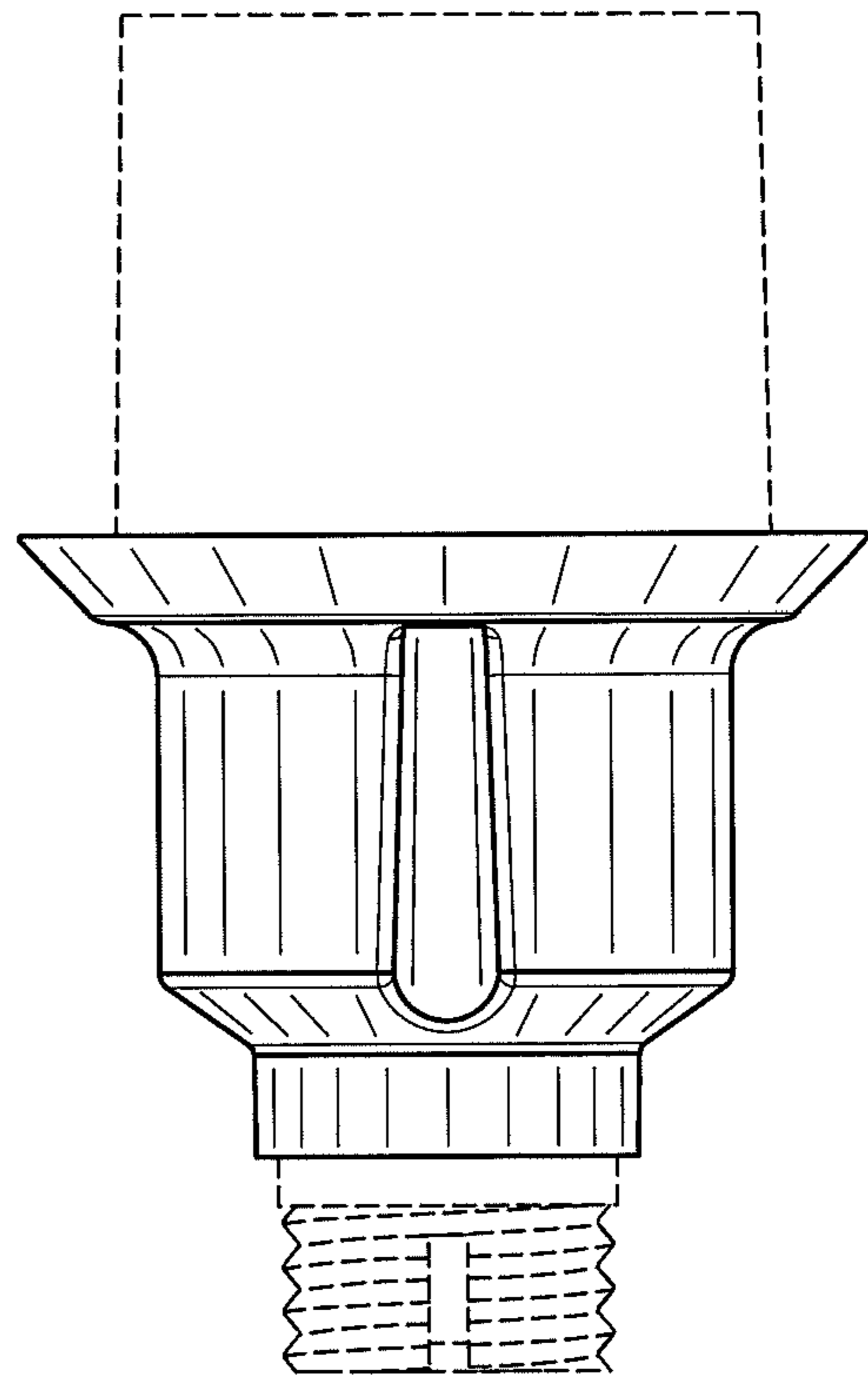


FIG. 4



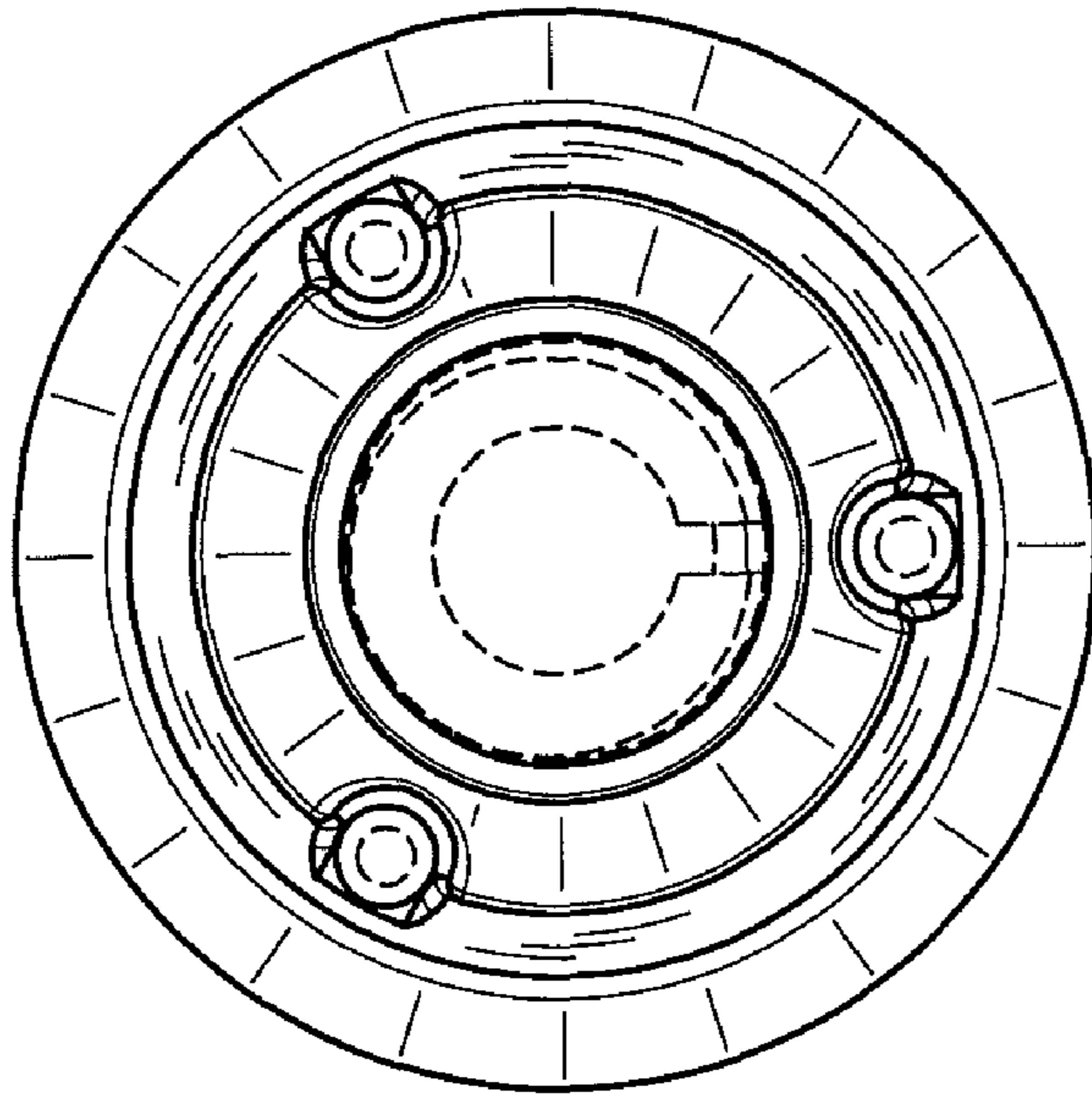


FIG. 5

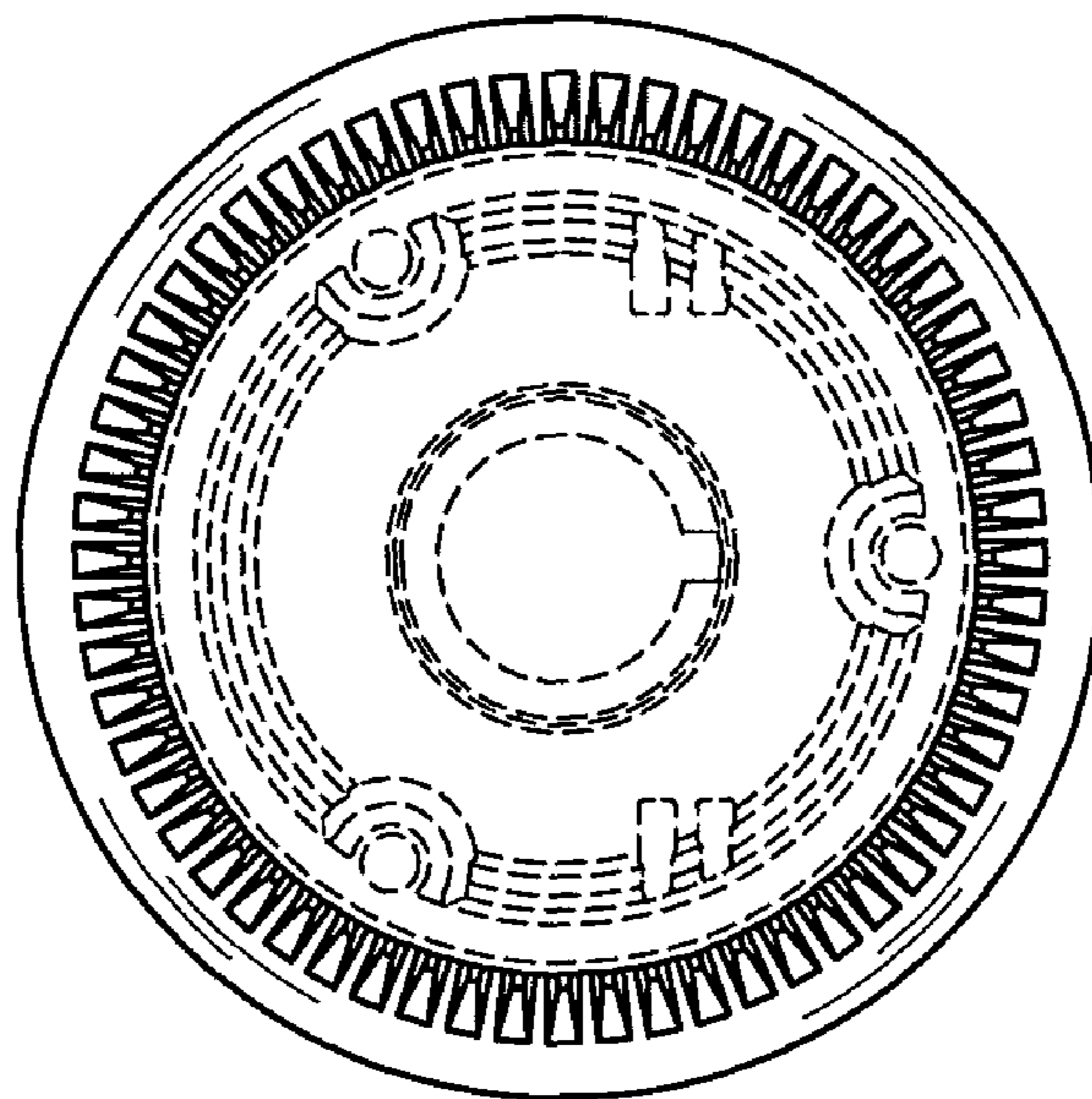


FIG. 6

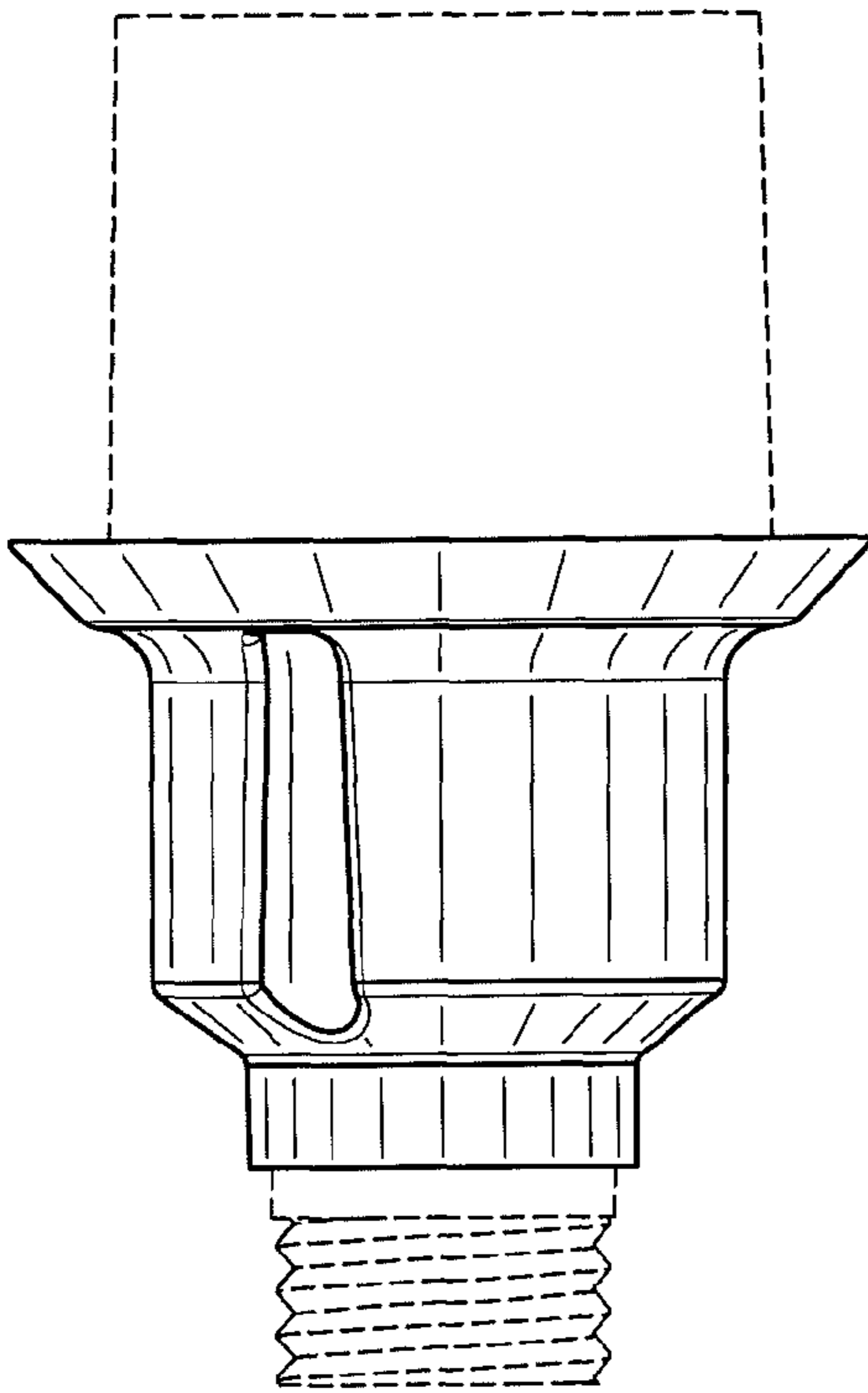


FIG. 7

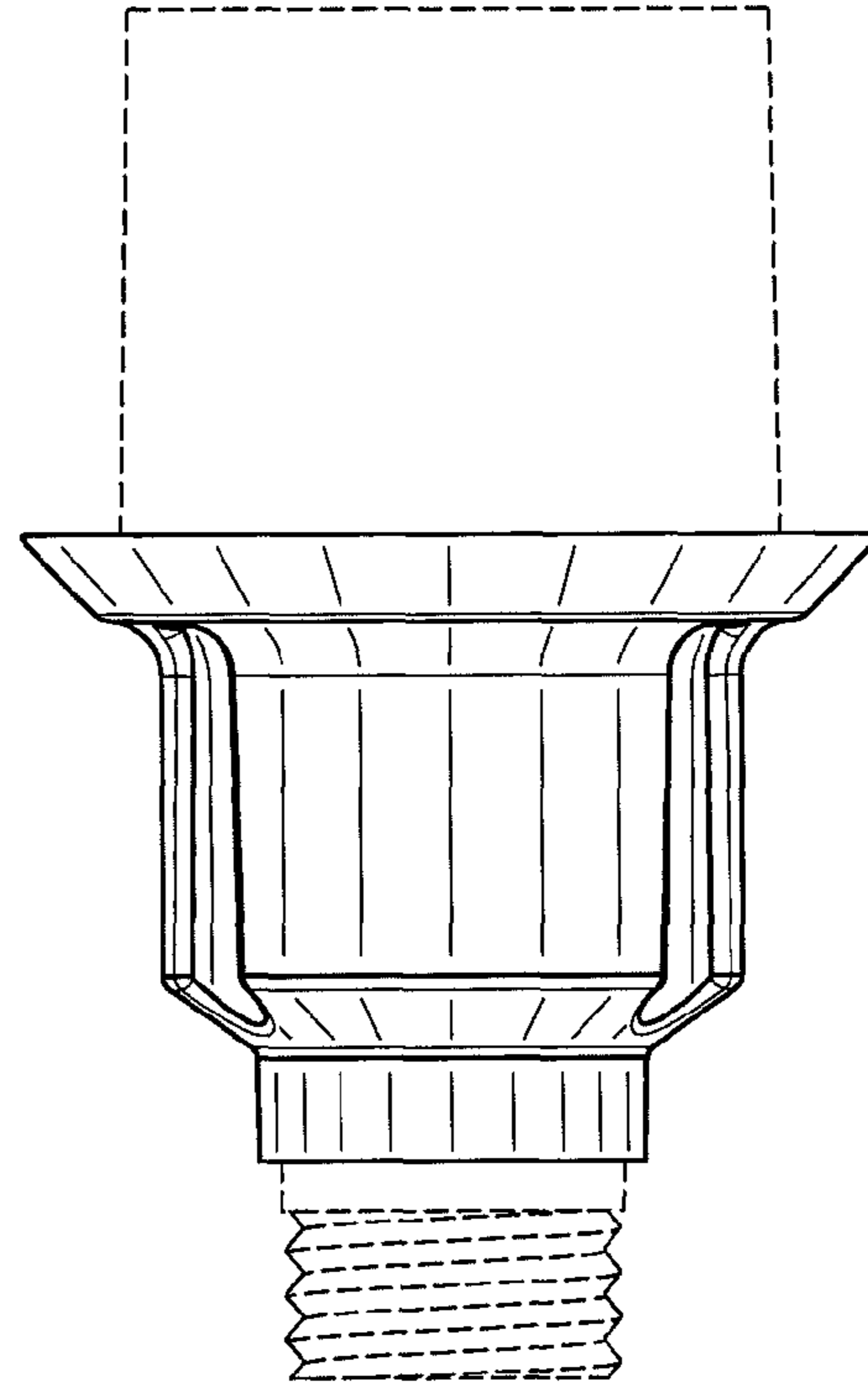


FIG. 8

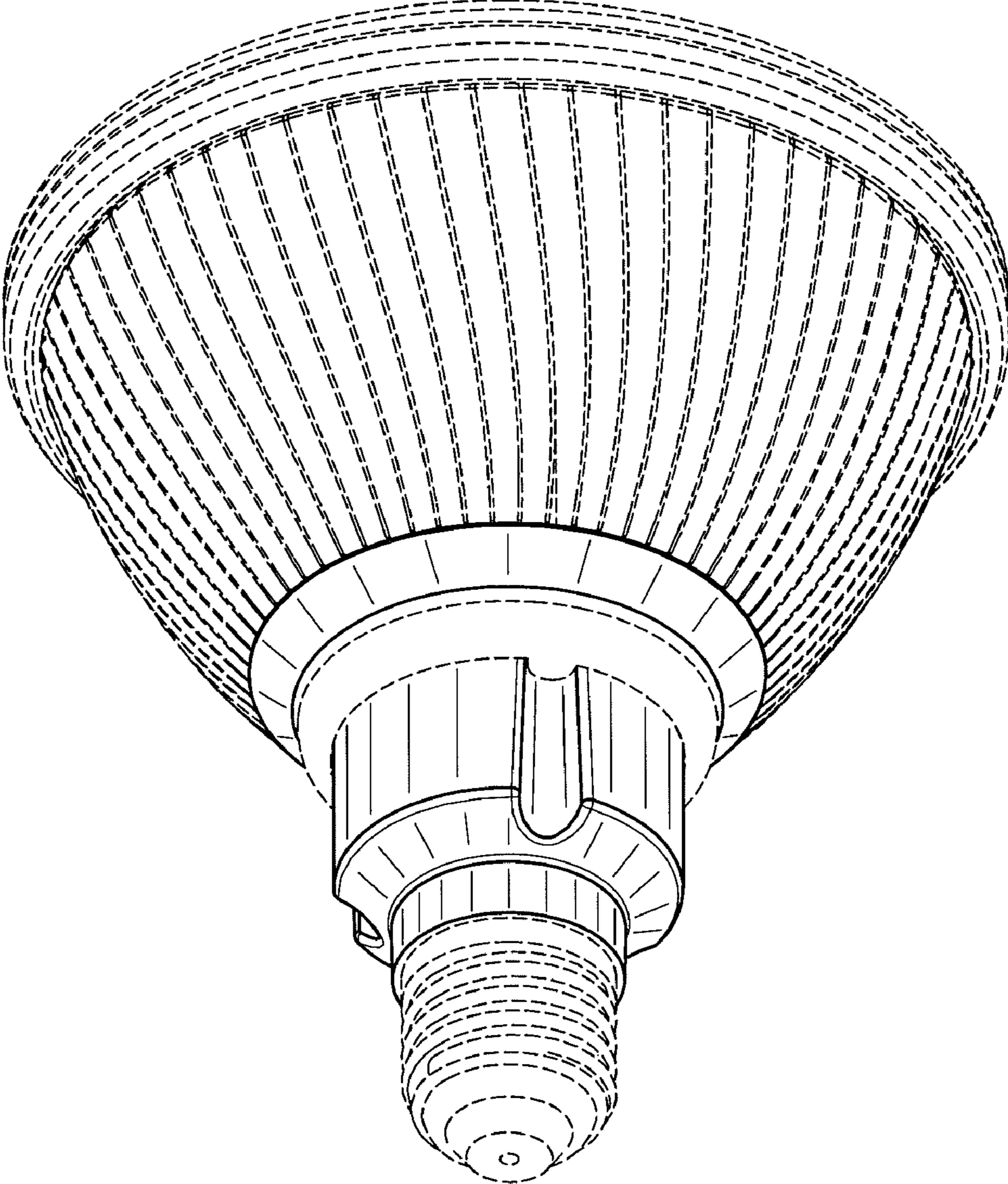


FIG. 9