

US00D642327S

(12) **United States Design Patent**
Fletcher et al.

(10) **Patent No.:** **US D642,327 S**
(45) **Date of Patent:** **** Jul. 26, 2011**

- (54) **LED REPLACEMENT MODULE**
- (75) Inventors: **Robert Kenneth Yasuji Fletcher**,
Racine, WI (US); **Jeffrey L. Spenner**,
Milwaukee, WI (US)
- (73) Assignee: **Phoenix Products Company, Inc.**,
Milwaukee, WI (US)
- (**) Term: **14 Years**
- (21) Appl. No.: **29/384,299**
- (22) Filed: **Jan. 28, 2011**
- (51) **LOC (9) Cl.** **26-99**
- (52) **U.S. Cl.** **D26/138**
- (58) **Field of Classification Search** D26/118,
D26/120, 138, 76, 78, 86, 2, 72, 67, 89, 60,
D26/74, 81, 85, 113, 119, 122, 128, 129,
D26/140, 142, 145, 152, 132, 93, 94, 3, 154,
D26/87, 42, 37; D34/29; 315/194, 51; 362/612,
362/307, 294, 545, 555, 146, 145, 396, 362,
362/260; 165/185, 121, 80.3; D12/162;
D8/354, 355, 356, 363, 373, 349, 376; 16/340;
D13/179, 180, 134; D25/163, 157, 158
See application file for complete search history.

D275,948	S	*	10/1984	Vakil	D13/135
D304,030	S	*	10/1989	Vakil	D13/135
5,731,663	A	*	3/1998	Davis	315/194
D397,811	S	*	9/1998	Vakil	D26/3
D398,902	S	*	9/1998	Spadafore	D13/135
D415,104	S	*	10/1999	Klaus et al.	D13/134
D418,813	S	*	1/2000	Smith	D13/134
D425,024	S	*	5/2000	Klaus et al.	D13/134
7,303,301	B2	*	12/2007	Koren et al.	362/101
D570,034	S	*	5/2008	Westerheide	D26/118
D627,727	S	*	11/2010	Alexander et al.	D13/134
2009/0034283	A1	*	2/2009	Albright et al.	362/545
2009/0237891	A1	*	9/2009	Liu et al.	361/714

* cited by examiner

Primary Examiner — Cathron C Brooks
Assistant Examiner — Kevin Rudzinski
(74) *Attorney, Agent, or Firm* — Whyte Hirschboeck Dudek S.C.

(57) **CLAIM**
The ornamental design for an LED replacement module, as shown and described.

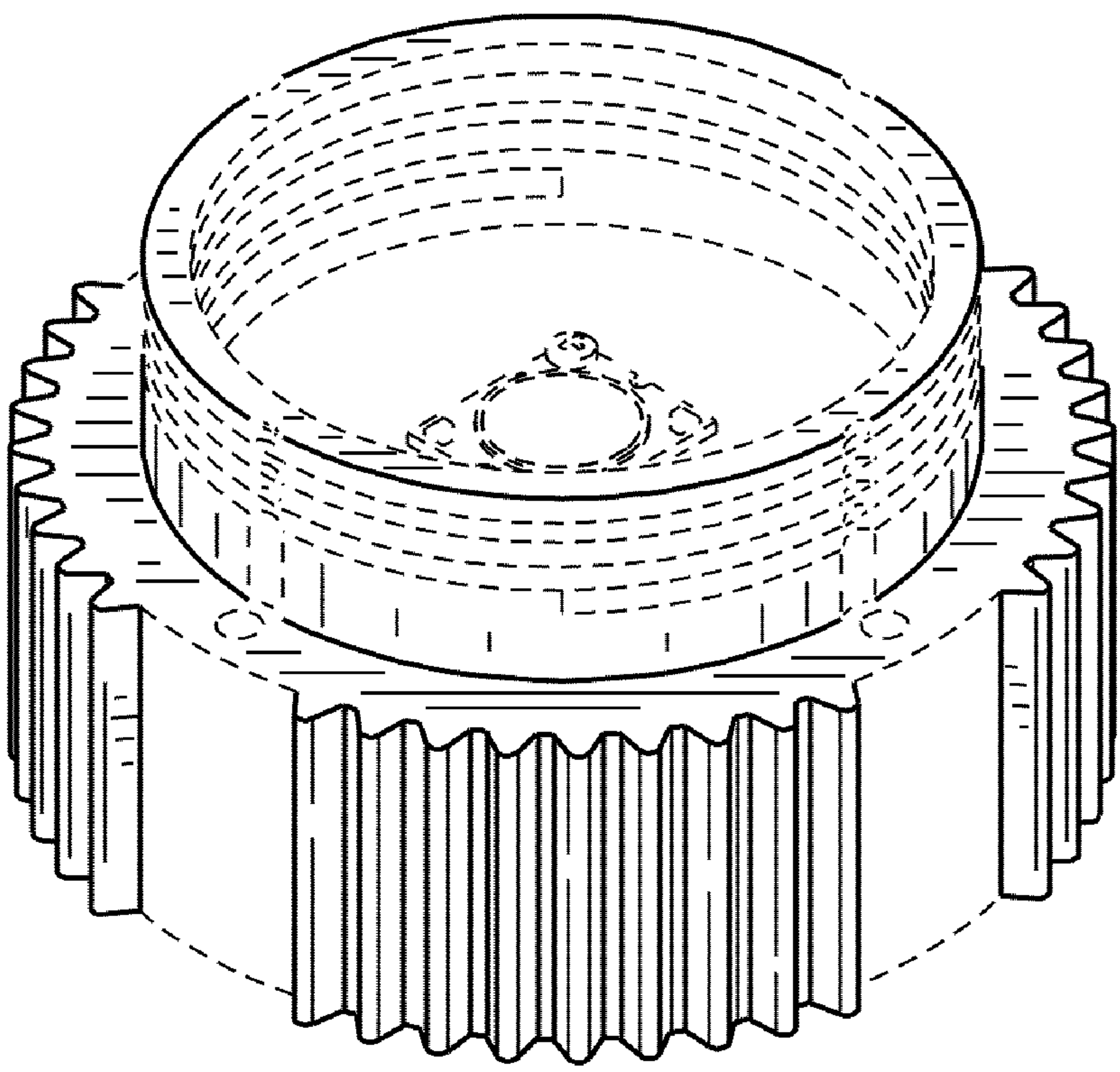
DESCRIPTION

FIG. 1 is a perspective view of an embodiment of an LED replacement module;
FIG. 2 is a side view thereof;
FIG. 3 is a top view thereof; and,
FIG. 4 is a bottom view thereof.
The broken lines shown in the drawings illustrate unclaimed portions of the LED replacement module and form no part of the claimed design.

- (56) **References Cited**

U.S. PATENT DOCUMENTS
613,647 A * 11/1898 Brown 439/551
3,331,013 A * 7/1967 Cunningham 323/239

1 Claim, 2 Drawing Sheets



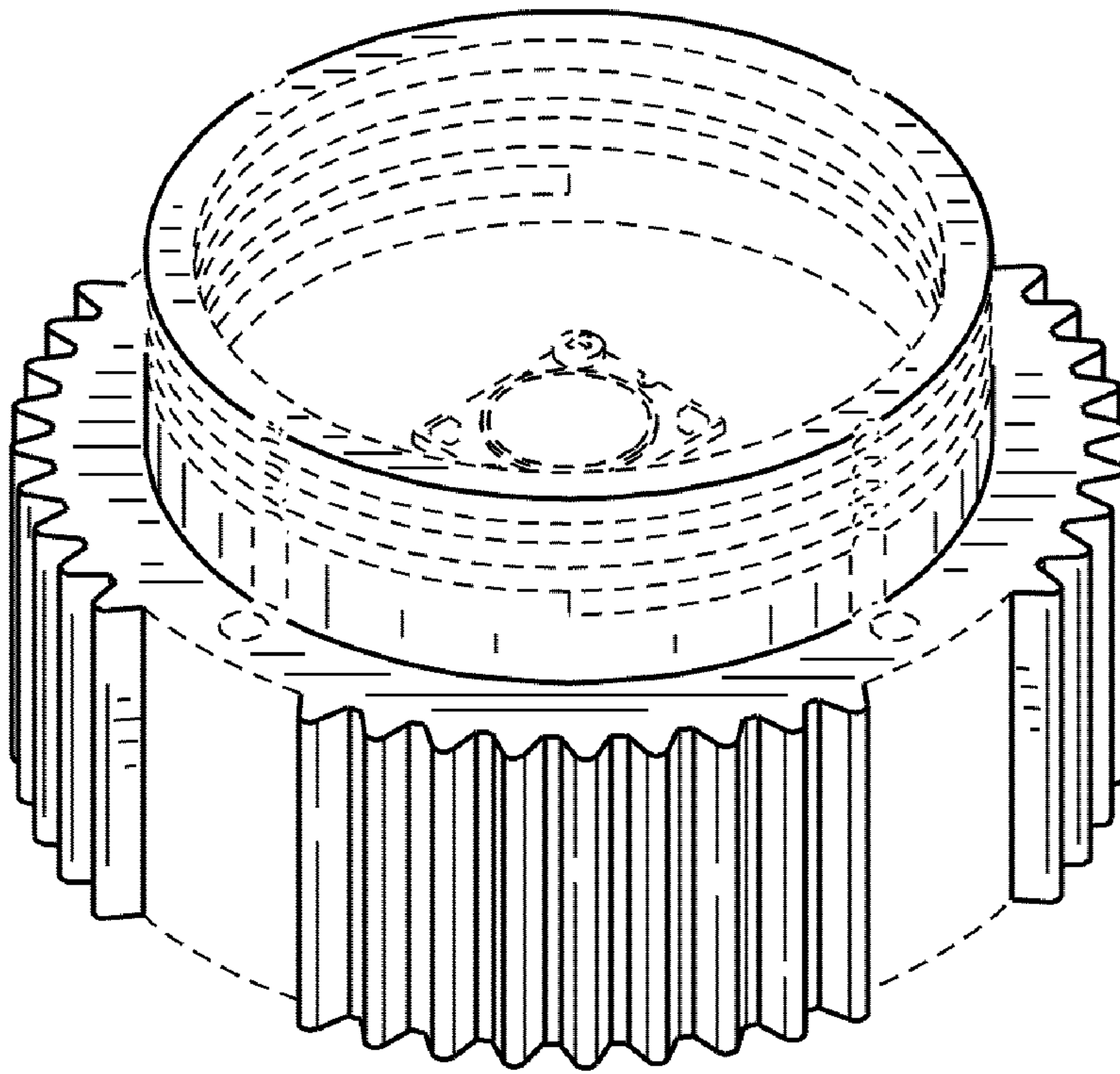


FIG. 1

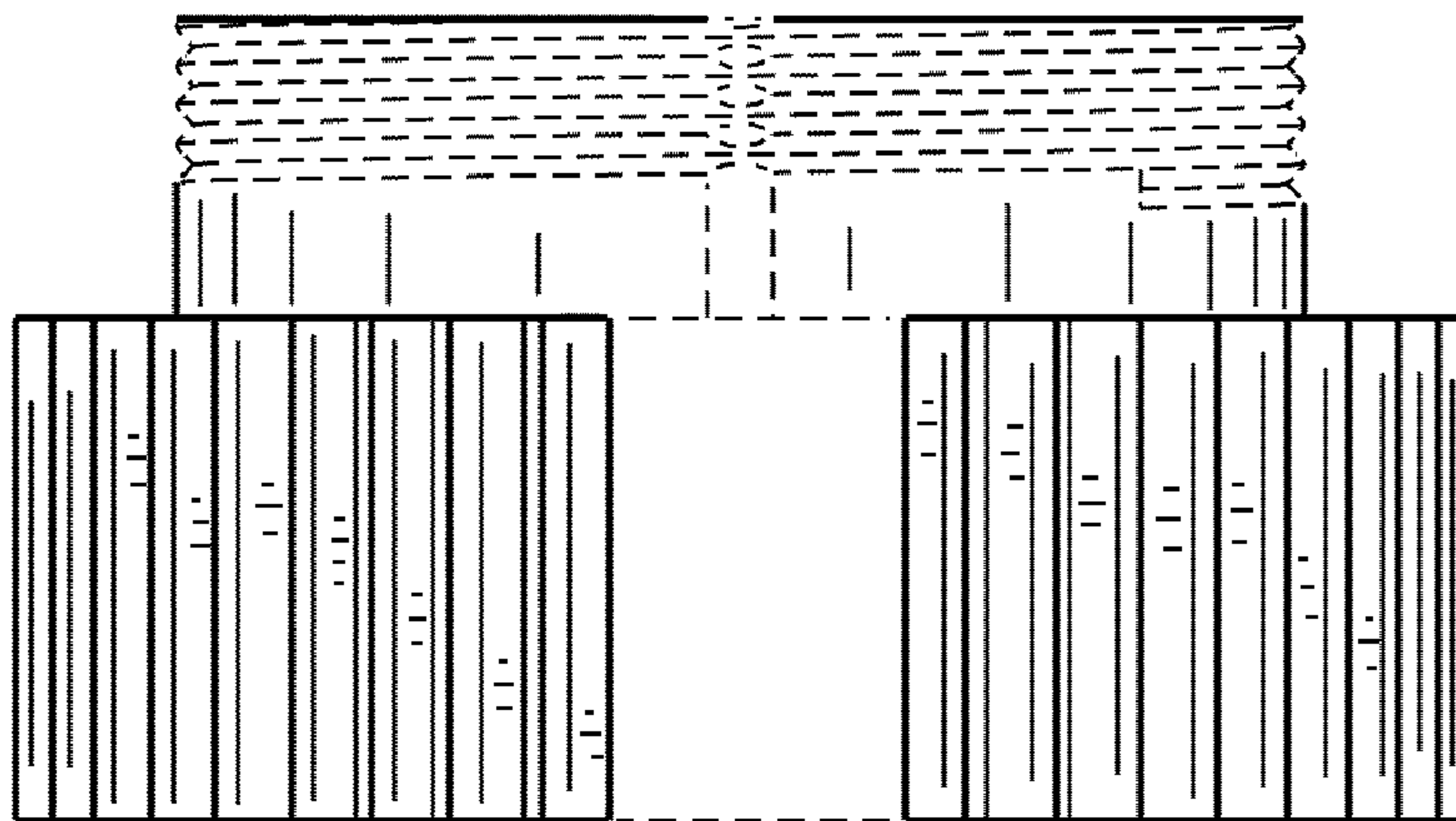


FIG. 2

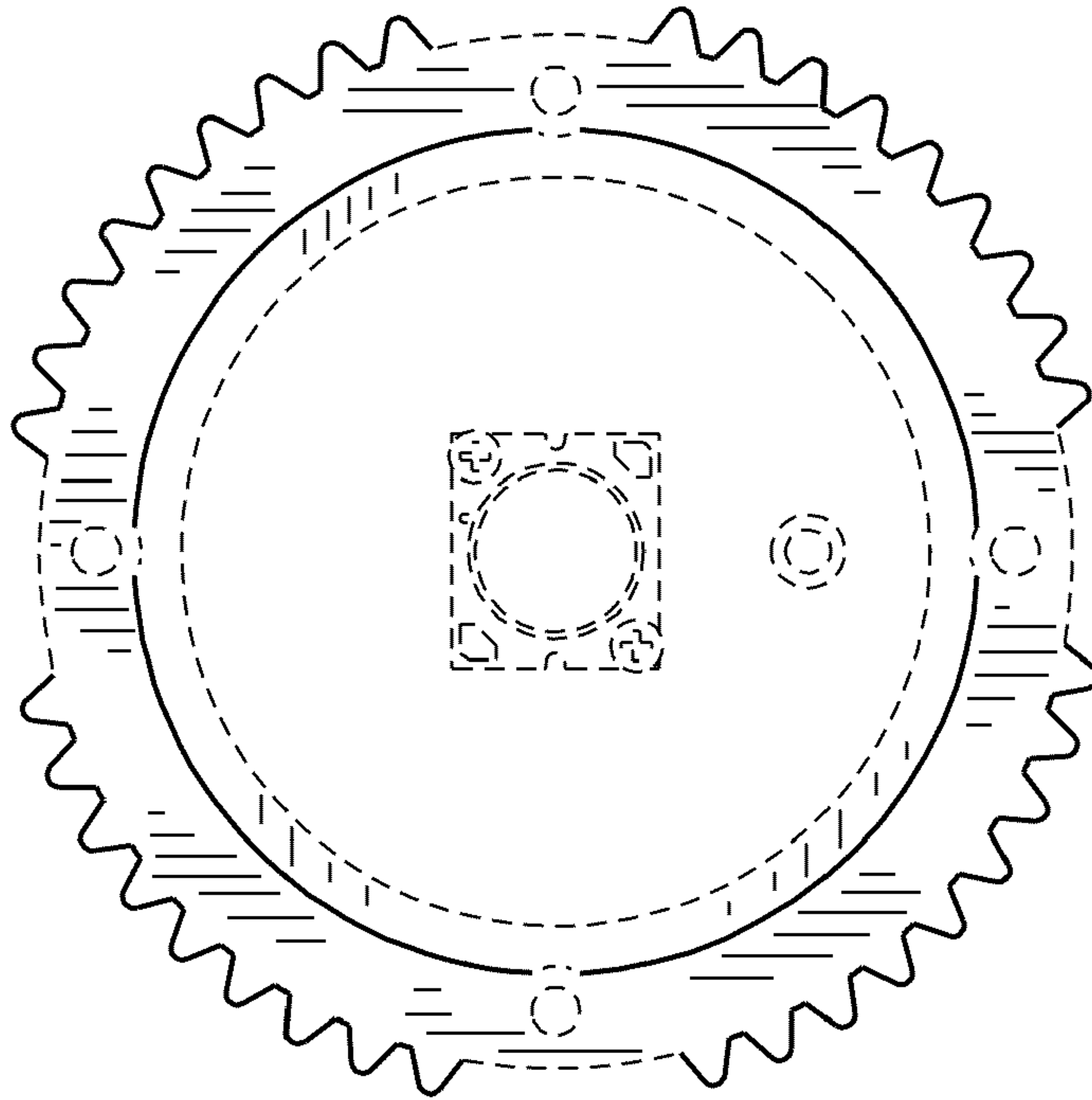


FIG. 3

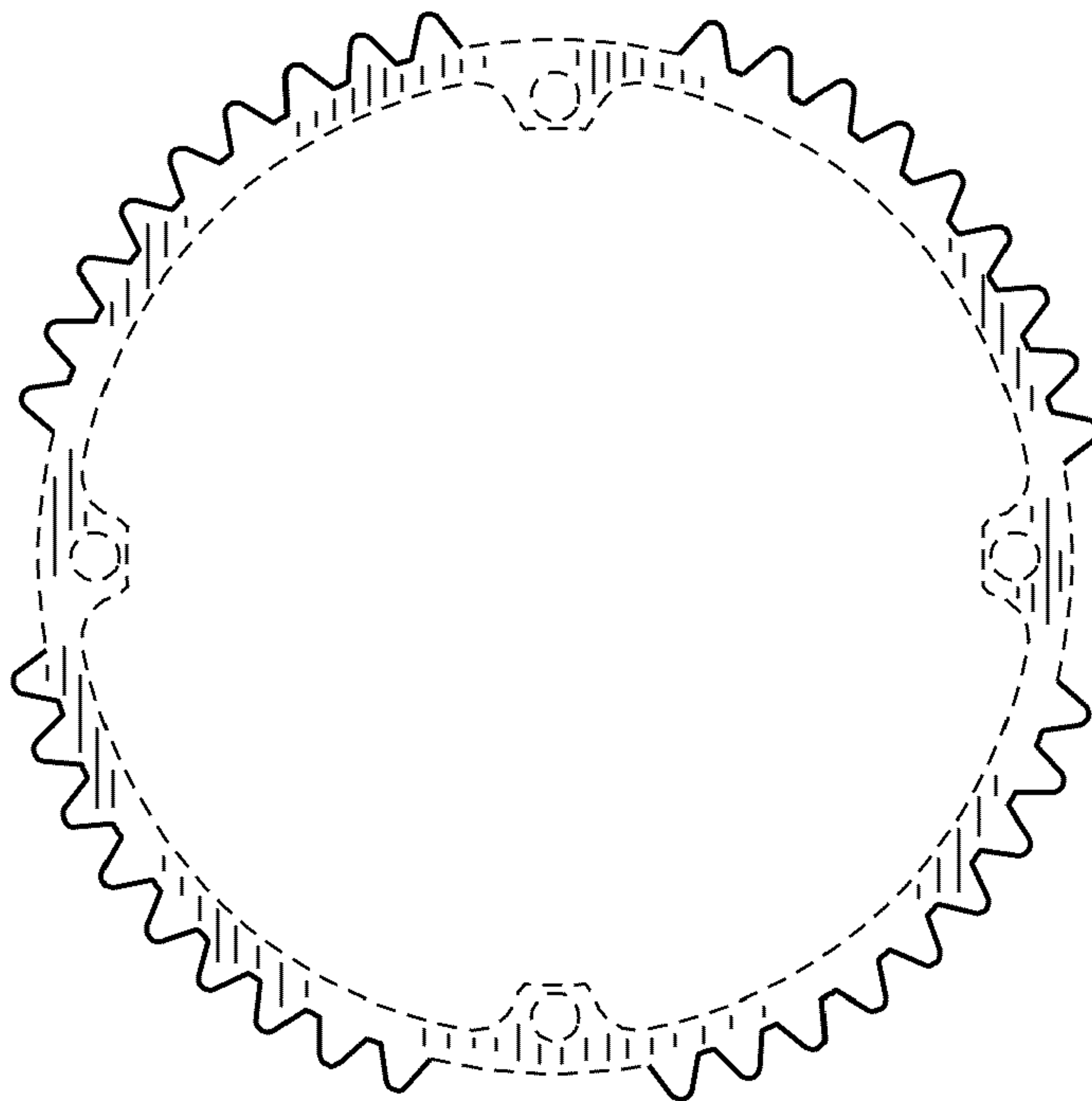


FIG. 4