



US00D642326S

(12) **United States Design Patent**
Leadford et al.

(10) **Patent No.:** **US D642,326 S**
(45) **Date of Patent:** **** Jul. 26, 2011**

(54) **LIGHT RAIL FOR A LUMINAIRE**
(75) Inventors: **Kevin Franklin Leadford**, Evergreen,
CO (US); **Carl T. Gould**, Golden, CO
(US); **Peter K. Nelson**, Denver, CO (US)
(73) Assignee: **ABL IP Holding LLC**, Conyers, GA
(US)
(**) Term: **14 Years**

D401,001 S * 11/1998 Herst et al. D26/77
6,193,394 B1 * 2/2001 Herst et al. 362/260
D452,579 S * 12/2001 Shemitz et al. D26/76
D459,014 S * 6/2002 Chen D26/85
D481,820 S * 11/2003 Watt D26/77
D569,027 S * 5/2008 Hakamada D26/76
D580,087 S * 11/2008 Couture et al. D26/76
D581,080 S * 11/2008 Mier-Langner D26/72
D596,345 S * 7/2009 Boissevain D26/120
D607,598 S * 1/2010 Xiao et al. D26/80
D607,599 S * 1/2010 Zhou et al. D26/80
7,833,027 B2 * 11/2010 Jong 439/118

* cited by examiner

(21) Appl. No.: **29/369,754**

(22) Filed: **Sep. 13, 2010**

(51) **LOC (9) Cl.** **26-99**

(52) **U.S. Cl.** **D26/138**

(58) **Field of Classification Search** D26/118,
D26/138, 2, 24, 26, 28, 37, 74, 142, 152,
D26/63, 68, 140, 80, 72, 76, 78, 92, 113,
D26/119, 120, 121, 122, 123, 124, 128, 129,
D26/130, 145, 147, 153, 154, 155, 65, 71,
D26/85, 88, 89, 90, 84, 75, 107, 87; 362/394,
362/364, 365, 147, 418, 293, 362, 326, 290,
362/249.01-249.11, 148, 396, 287, 275,
362/276; 250/342, 347; D25/123, 138; 439/111,
439/121, 122, 119, 120; D13/134, 179, 180,
D13/133

See application file for complete search history.

(56) **References Cited**

U.S. PATENT DOCUMENTS

D151,575 S * 10/1948 Winkler et al. D26/77
2,606,998 A * 8/1952 Wyman et al. 362/220
D247,756 S * 4/1978 Nagelkerke D24/210
D311,596 S * 10/1990 Herst et al. D26/85
D329,715 S * 9/1992 Dieperink D26/76
D344,605 S * 2/1994 Aspenwall D26/76
D365,651 S * 12/1995 Herst et al. D26/77
D397,480 S * 8/1998 Herst et al. D26/77
D401,000 S * 11/1998 Herst D26/76

Primary Examiner — Cathron Brooks

Assistant Examiner — Kevin Rudzinski

(74) *Attorney, Agent, or Firm* — Kilpatrick Townsend &
Stockton LLP

(57) **CLAIM**

The ornamental design for a light rail for a luminaire, as
shown and described.

DESCRIPTION

FIG. 1 is a bottom perspective view an embodiment of a light
rail for a luminaire.

FIG. 2 is a front elevation view of the light rail of FIG. 1.

FIG. 3 is a back elevation view of the light rail of FIG. 1.

FIG. 4 is a right side elevation view of the light rail of FIG. 1.

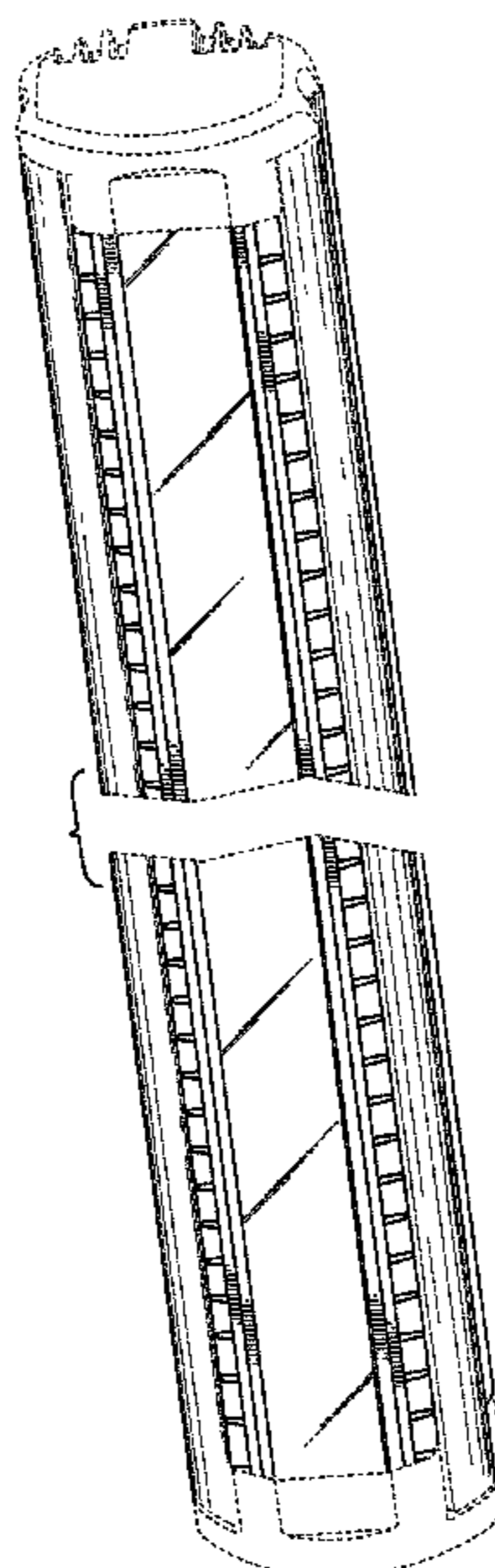
FIG. 5 is a left side elevation view of the light rail of FIG. 1.

FIG. 6 is a top plan view of the light rail of FIG. 1; and,

FIG. 7 is a bottom plan view of the light rail of FIG. 1.

The article is shown broken in the center to indicate an
unspecified length. Portions or features of the light rail for a
luminaire not shown in the drawings form no part of the
claimed design. The remaining broken lines in the drawings
are included to illustrate unclaimed portions of the light rail
for a luminaire and form no part of the claimed design.

1 Claim, 3 Drawing Sheets



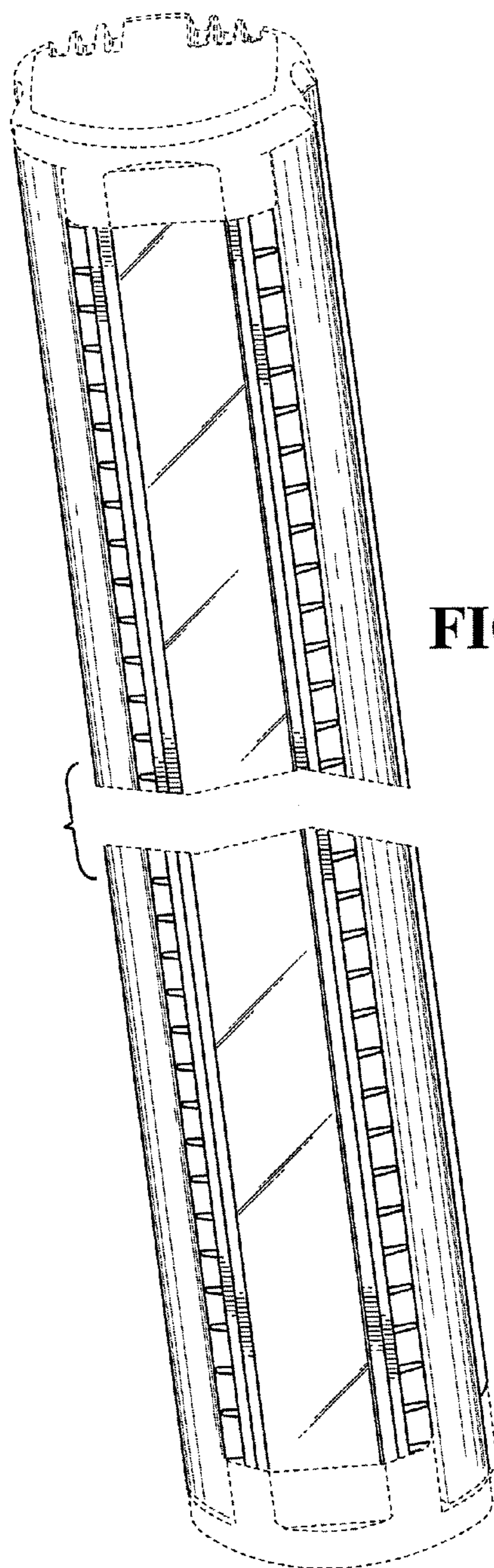


FIG. 1

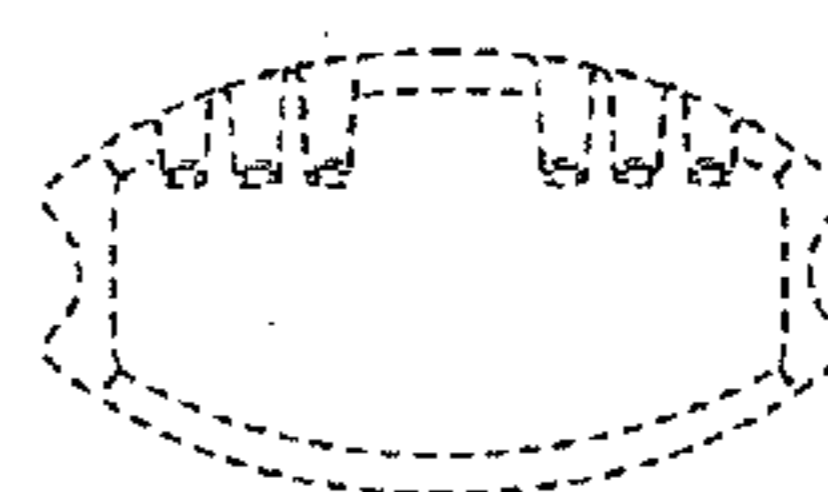


FIG. 2



FIG. 3

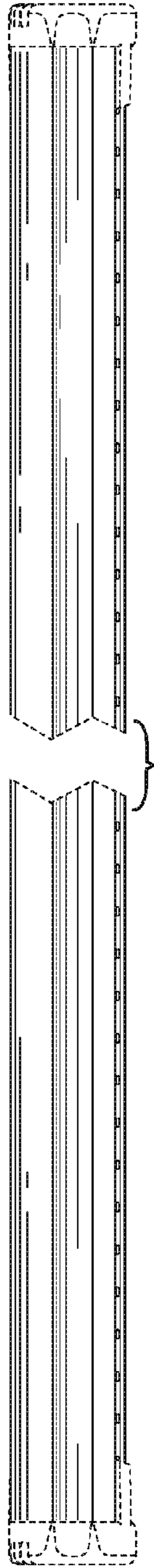


FIG. 4

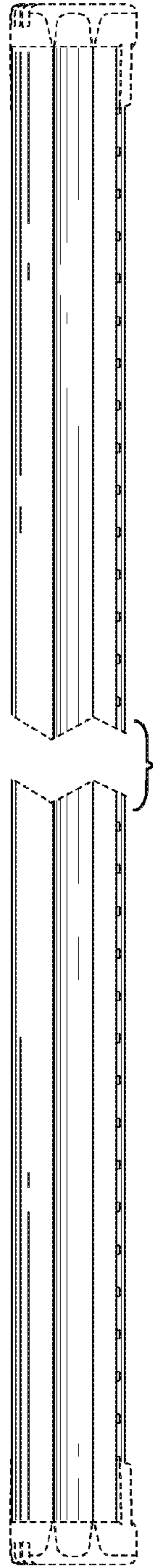


FIG. 5

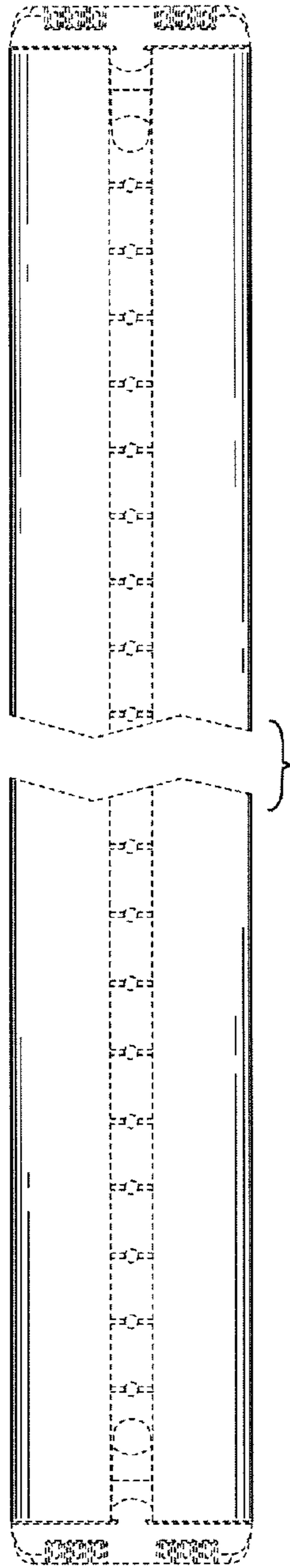


FIG. 6

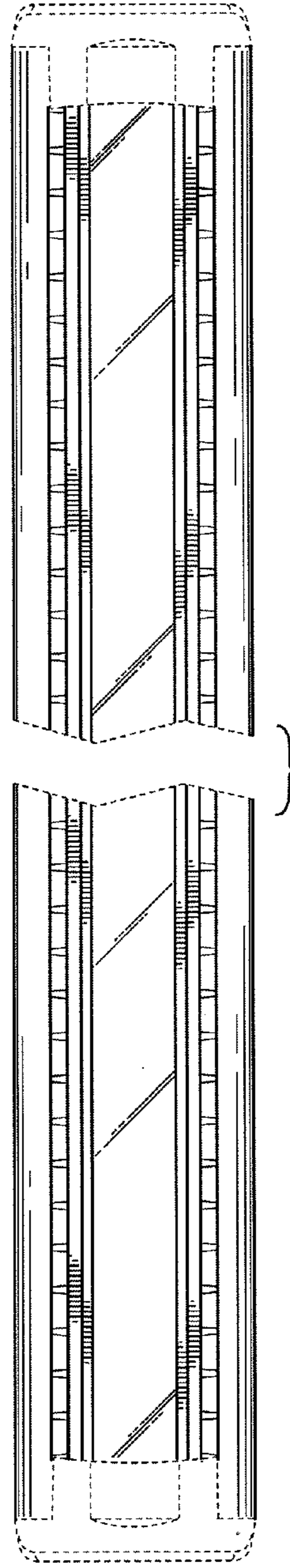


FIG. 7