



US00D642324S

(12) **United States Design Patent**
Lewis

(10) **Patent No.:** **US D642,324 S**

(45) **Date of Patent:** **** Jul. 26, 2011**

(54) **LAMP**

(76) **Inventor:** **Sally Sirkin Lewis**, Beverly Hills, CA
(US)

(**) **Term:** **14 Years**

(21) **Appl. No.:** **29/376,653**

(22) **Filed:** **Oct. 8, 2010**

(51) **LOC (9) Cl.** **26-03**

(52) **U.S. Cl.** **D26/110; D26/93**

(58) **Field of Classification Search** D26/1,
D26/24, 67, 93-94, 104-112; 362/3, 153,
362/186, 217, 255, 257, 277, 317, 351, 353,
362/362, 363, 382, 431, 433, 458, 806
See application file for complete search history.

(56) **References Cited**

U.S. PATENT DOCUMENTS

D112,639 S	*	12/1938	Higgins	D26/112
D391,005 S	*	2/1998	Gunthert	D26/110
D393,917 S	*	4/1998	Hutton	D26/106
D414,289 S	*	9/1999	Diaz-Azcuy	D26/110
D432,706 S	*	10/2000	Bleisch	D26/110
D433,176 S	*	10/2000	Barry	D26/112
D482,155 S	*	11/2003	Lo	D26/110

D484,271 S	*	12/2003	Chandler	D26/93
D501,577 S	*	2/2005	Hutton et al.	D26/110
D589,206 S	*	3/2009	Sabernig	D26/110

* cited by examiner

Primary Examiner — Brian N Vinson

(74) *Attorney, Agent, or Firm* — Cox Smith Matthews Incorporated

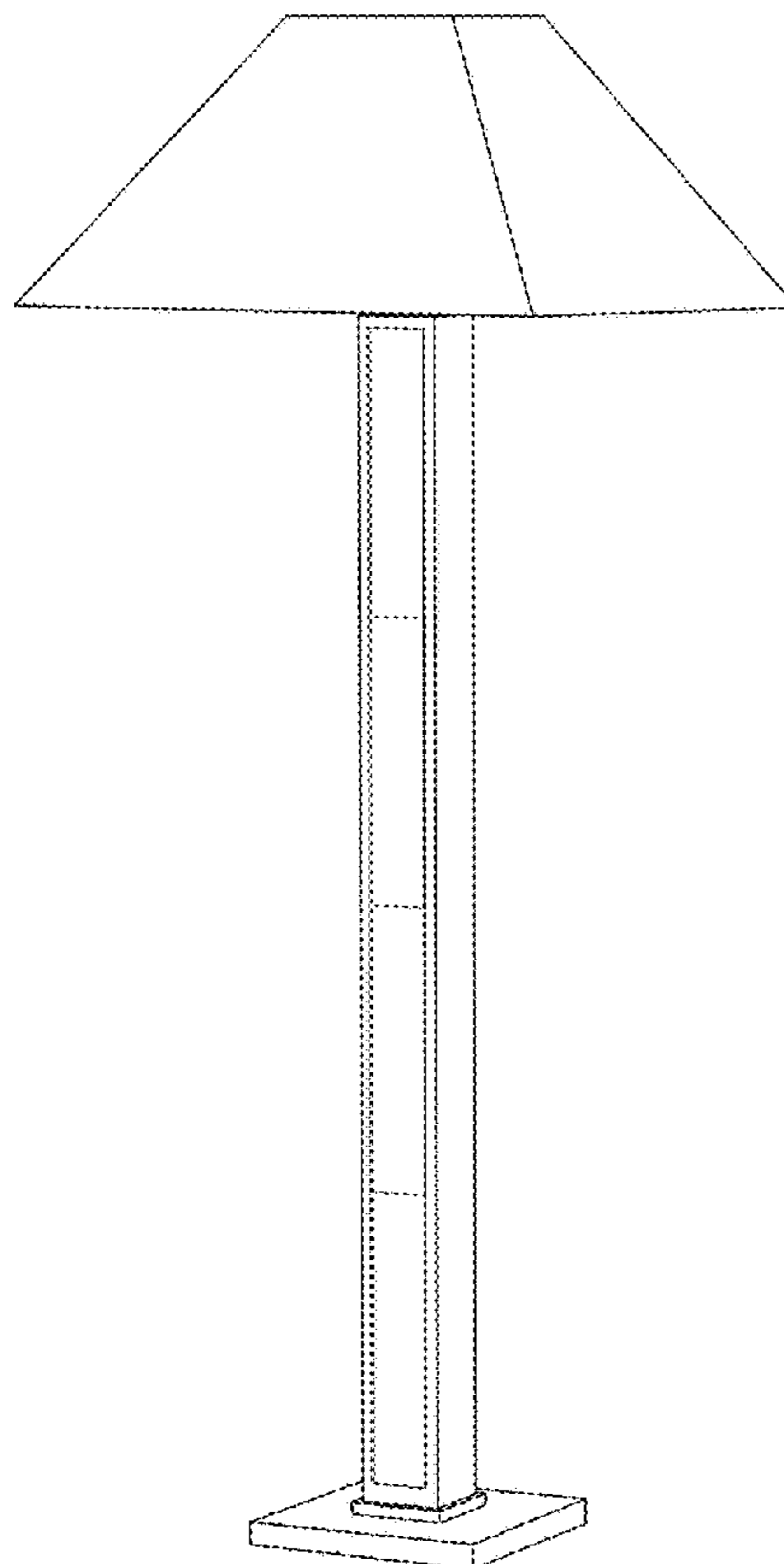
(57) **CLAIM**

The ornamental design for a lamp, as shown and described.

DESCRIPTION

FIG. 1 is a perspective view of the lamp of my design;
 FIG. 2 is a top view of the lamp. The broken lines representing a power cord form no part of the claimed design;
 FIG. 3 is a front view of the lamp;
 FIG. 4 is a right side view of the lamp (the left side view, being a mirror image of the right side view, is not shown). The broken lines representing a power cord form no part of the claimed design;
 FIG. 5 is a bottom view of the lamp. The broken lines representing a power cord form no part of the claimed design; and,
 FIG. 6 is a back side view of the lamp. The broken lines representing a power cord form no part of the claimed design.

1 Claim, 3 Drawing Sheets



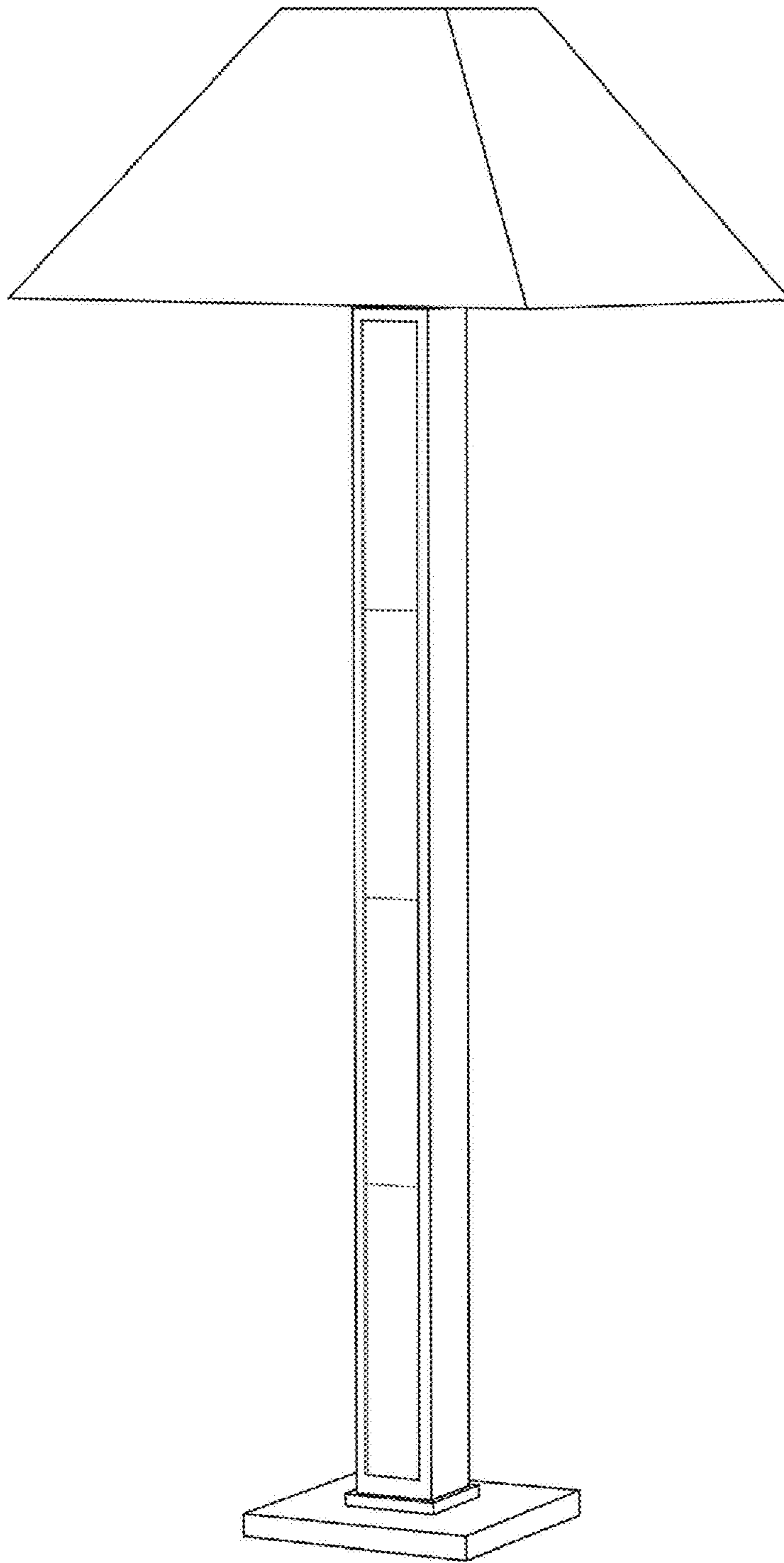


FIG. 1

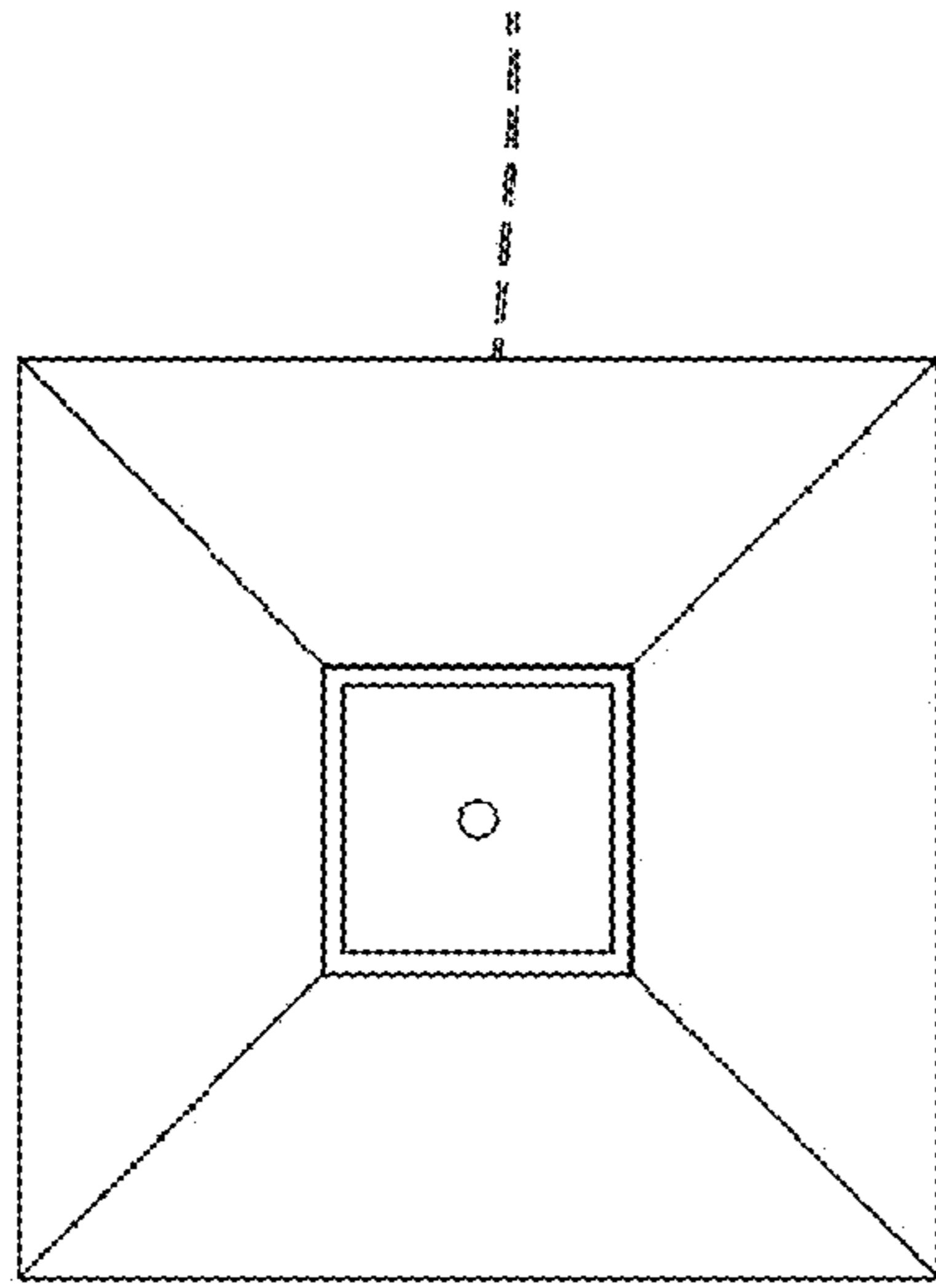


FIG. 2

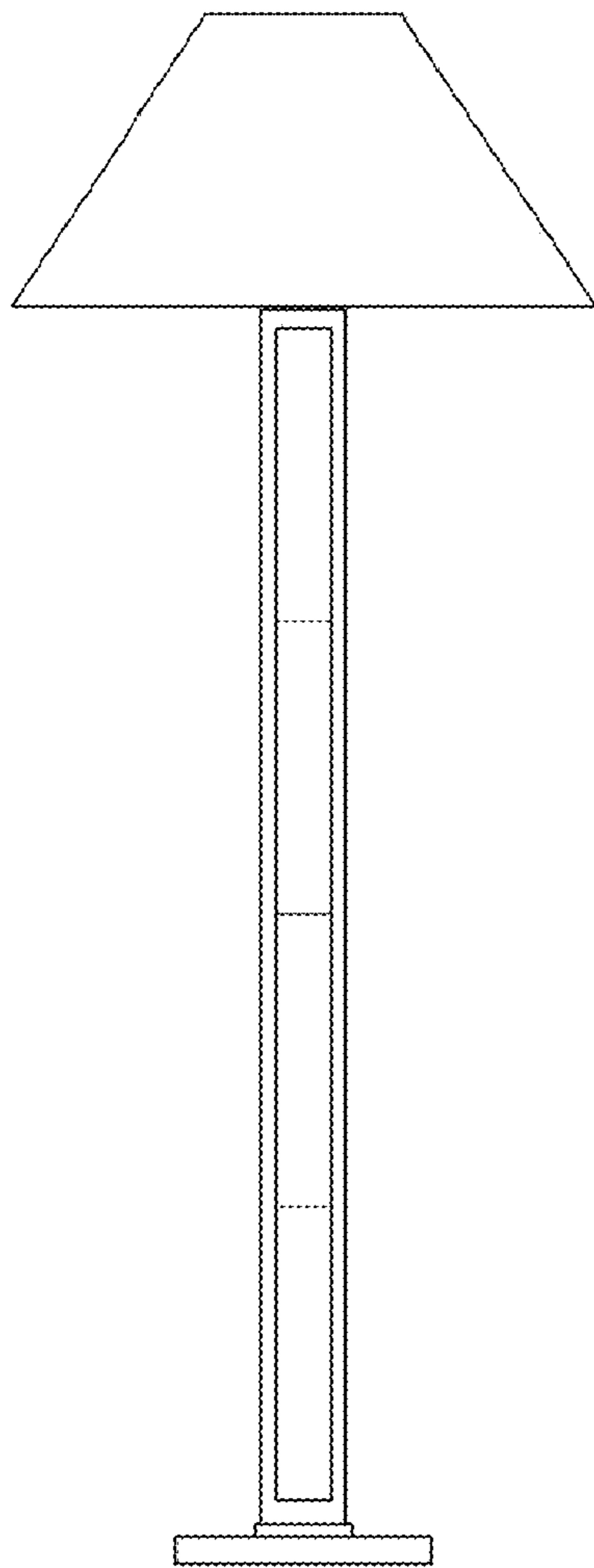


FIG. 3

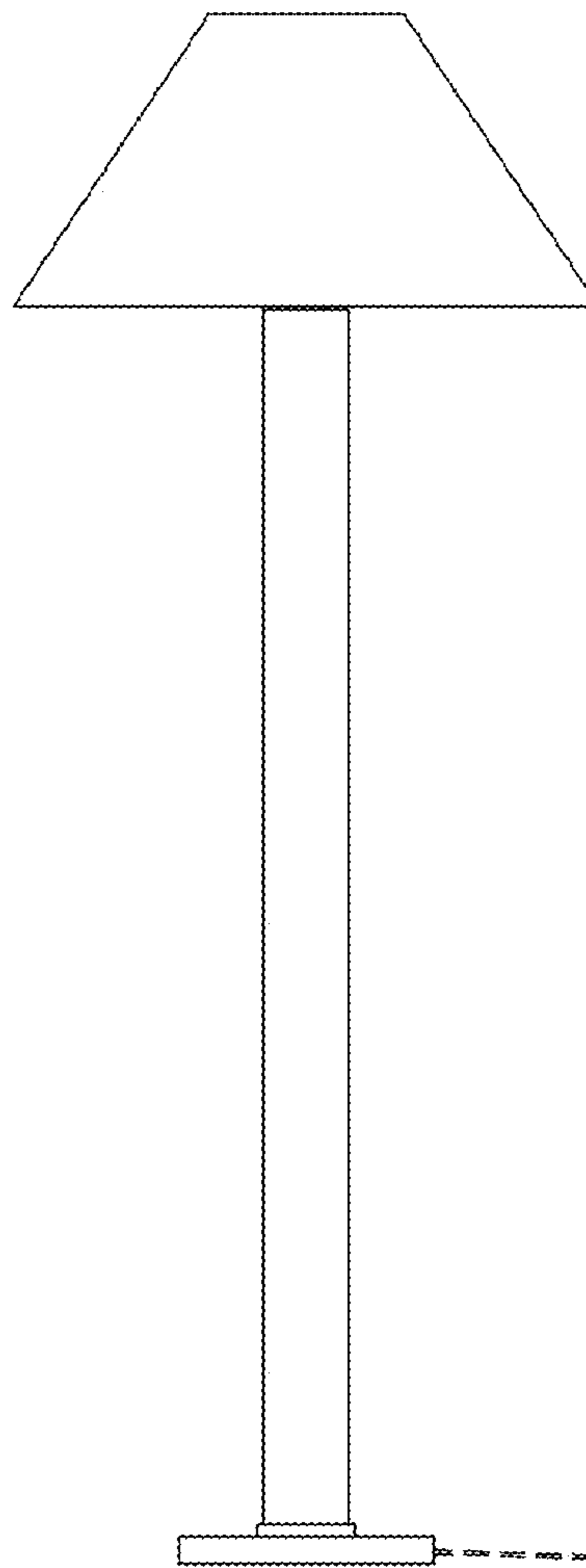


FIG. 4

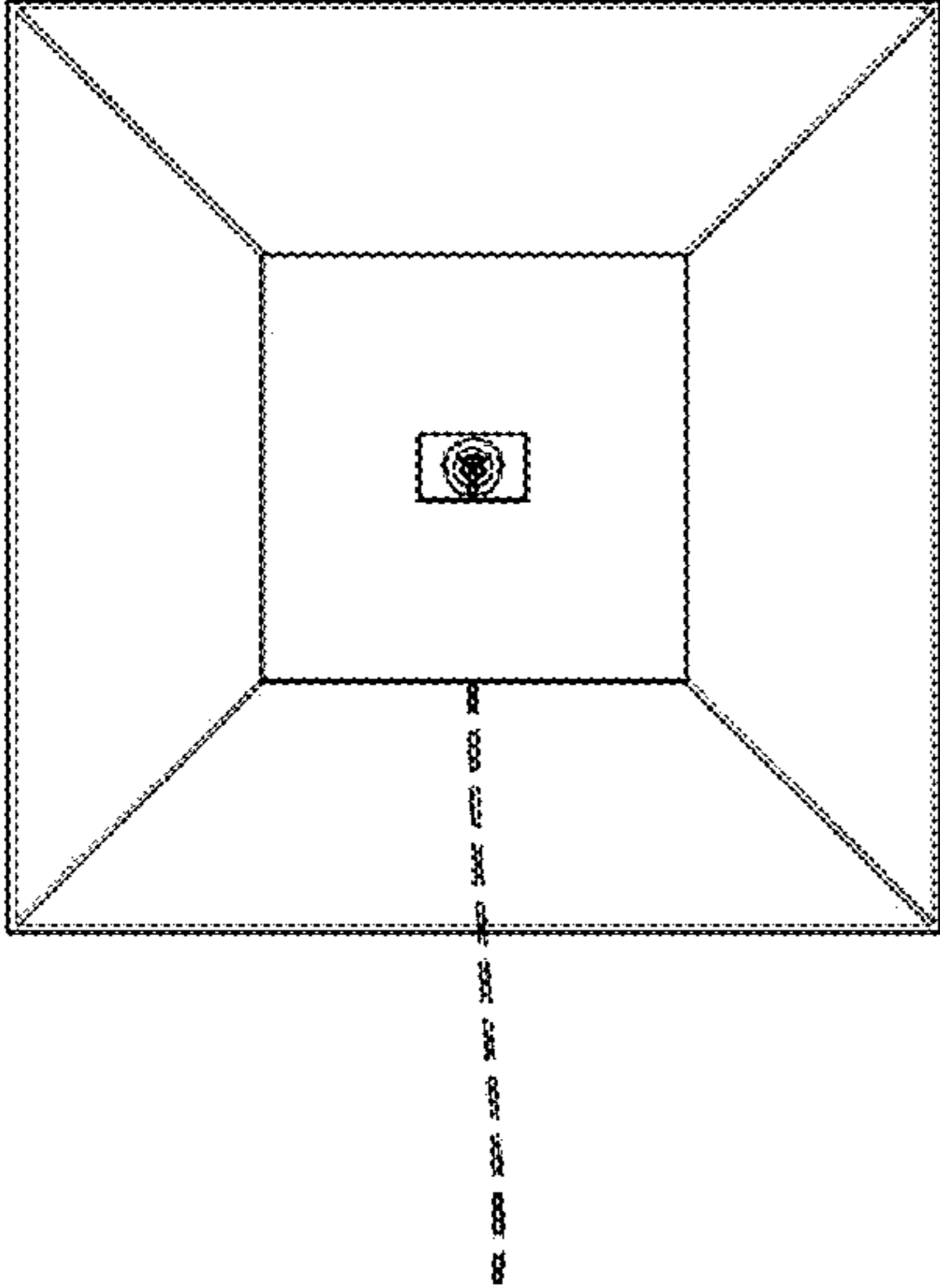


FIG. 5

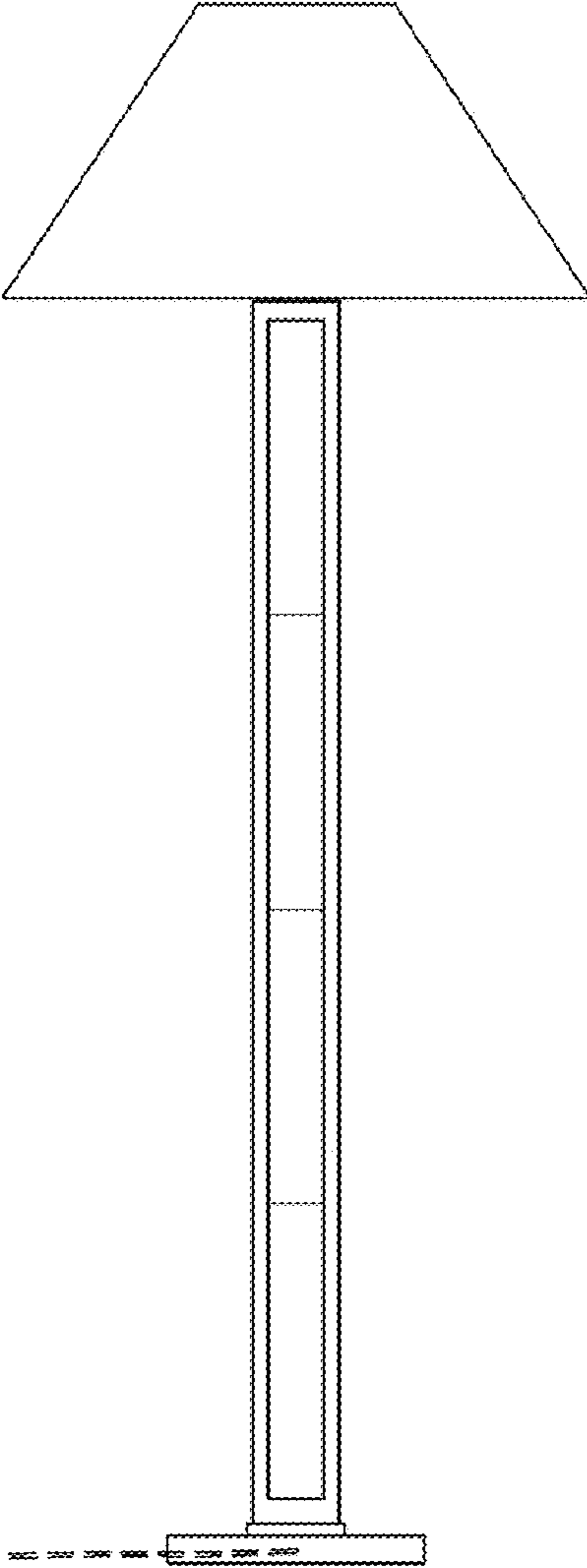


FIG. 6