



US00D642320S

(12) **United States Design Patent**
Eusterbrock

(10) **Patent No.:** **US D642,320 S**

(45) **Date of Patent:** **** Jul. 26, 2011**

(54) **FLOOR LAMP**

(75) Inventor: **Paul W. Eusterbrock**, St. Paul, MN
(US)

(73) Assignee: **Holtkoetter International, Inc.**, South
Saint Paul, MN (US)

(**) Term: **14 Years**

(21) Appl. No.: **29/357,943**

(22) Filed: **Mar. 19, 2010**

(51) **LOC (9) Cl.** **26-03**

(52) **U.S. Cl.** **D26/106; D26/93**

(58) **Field of Classification Search** D26/1,
D26/24, 67, 93-94; 362/3, 153, 186, 217,
362/255, 257, 277, 317, 351, 353, 362, 363,
362/382, 431, 433, 458, 806
See application file for complete search history.

(56) **References Cited**

U.S. PATENT DOCUMENTS

D76,276 S *	9/1928	Wolter	D26/105
D112,639 S *	12/1938	Higgins	D26/112
D204,793 S *	5/1966	Rodriguez	D26/93
D280,348 S *	8/1985	Pupulidy	D26/93
D328,152 S *	7/1992	Benghozi	D26/106

D370,071 S *	5/1996	Sonneman	D26/106
D414,289 S *	9/1999	Diaz-Azcuy	D26/110
D433,176 S *	10/2000	Barry	D26/112
D484,271 S *	12/2003	Chandler	D26/93
D536,474 S *	2/2007	Chandler	D26/93
D577,457 S *	9/2008	Chandler	D26/93

* cited by examiner

Primary Examiner — Brian N Vinson

(74) *Attorney, Agent, or Firm* — Oppenheimer Wolff &
Donnelly LLP

(57) **CLAIM**

The ornamental design for a floor lamp, as shown and
described.

DESCRIPTION

FIG. 1 is a perspective view of a floor lamp showing my new
design;

FIG. 2 is a front plan view thereof;

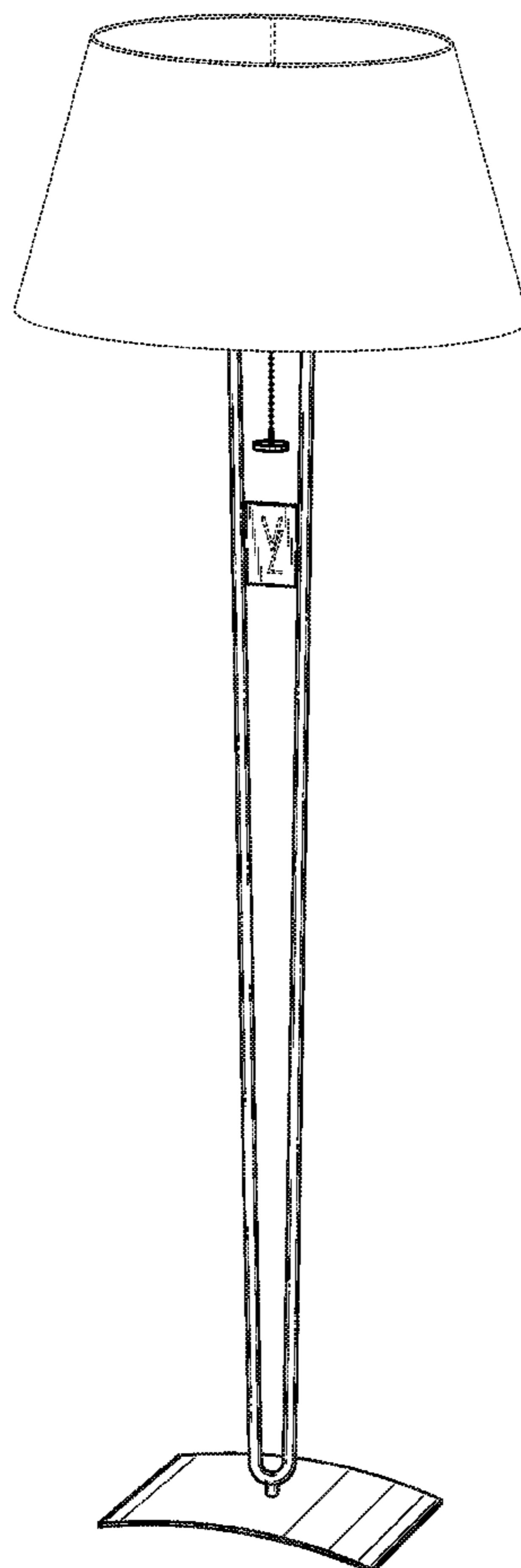
FIG. 3 is a side elevational view thereof;

FIG. 4 is a top plan view thereof; and,

FIG. 5 is a bottom plan view thereof.

The broken-line disclosure in the views is understood to
represent a portion of the article in which the claimed design
is embodied, but which forms no part of the claimed design.

1 Claim, 5 Drawing Sheets



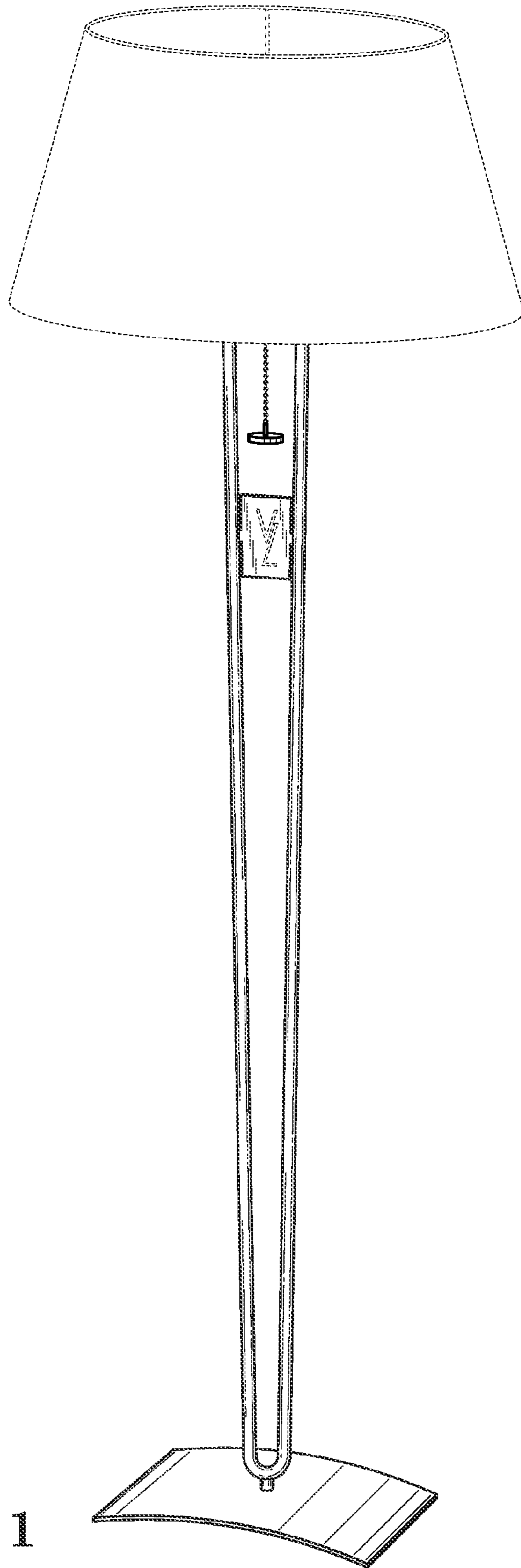


Fig. 1

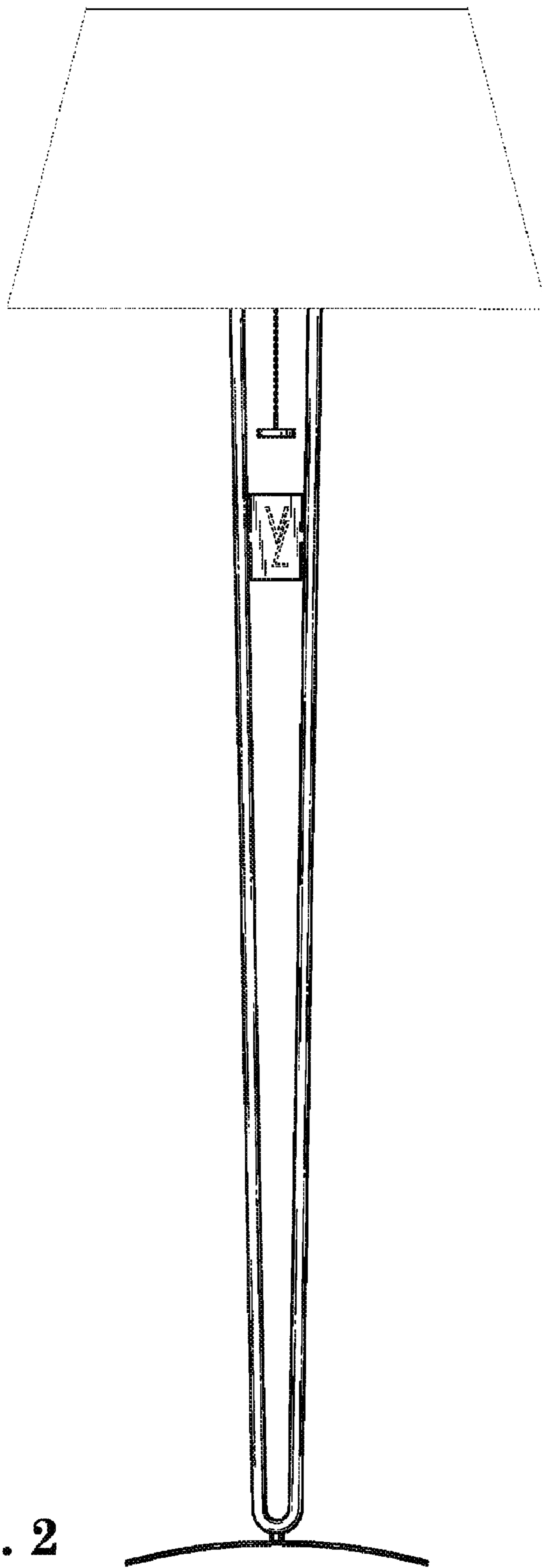


Fig. 2

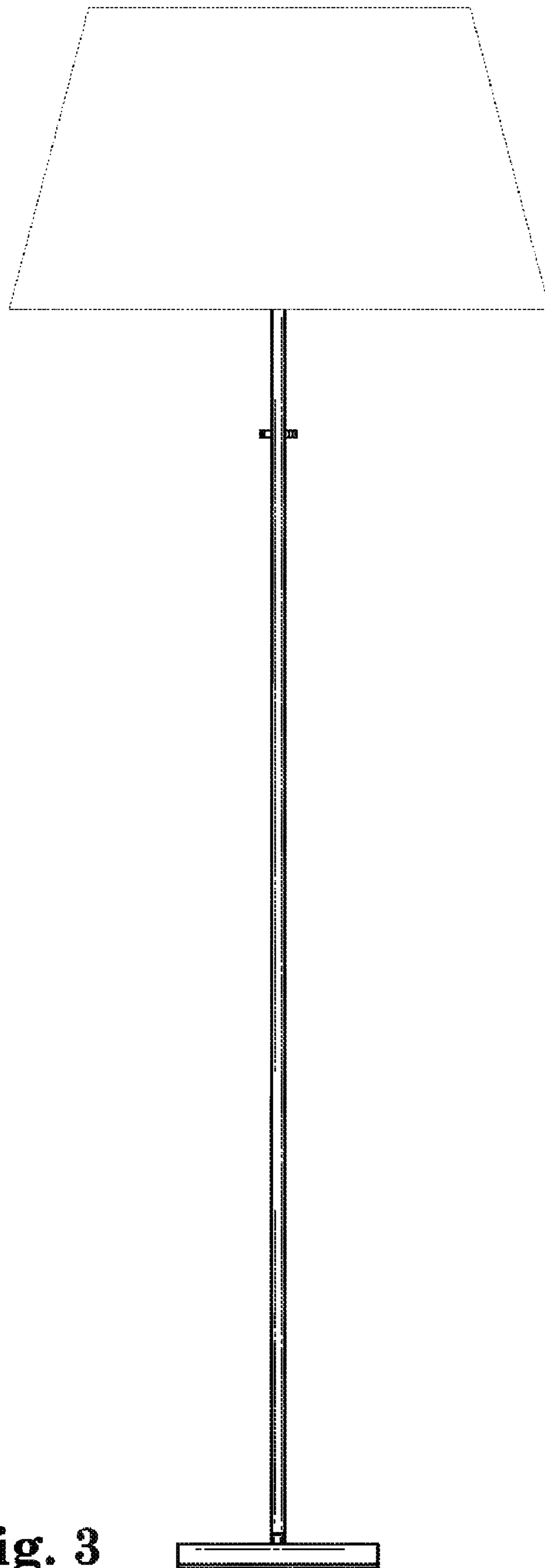


Fig. 3

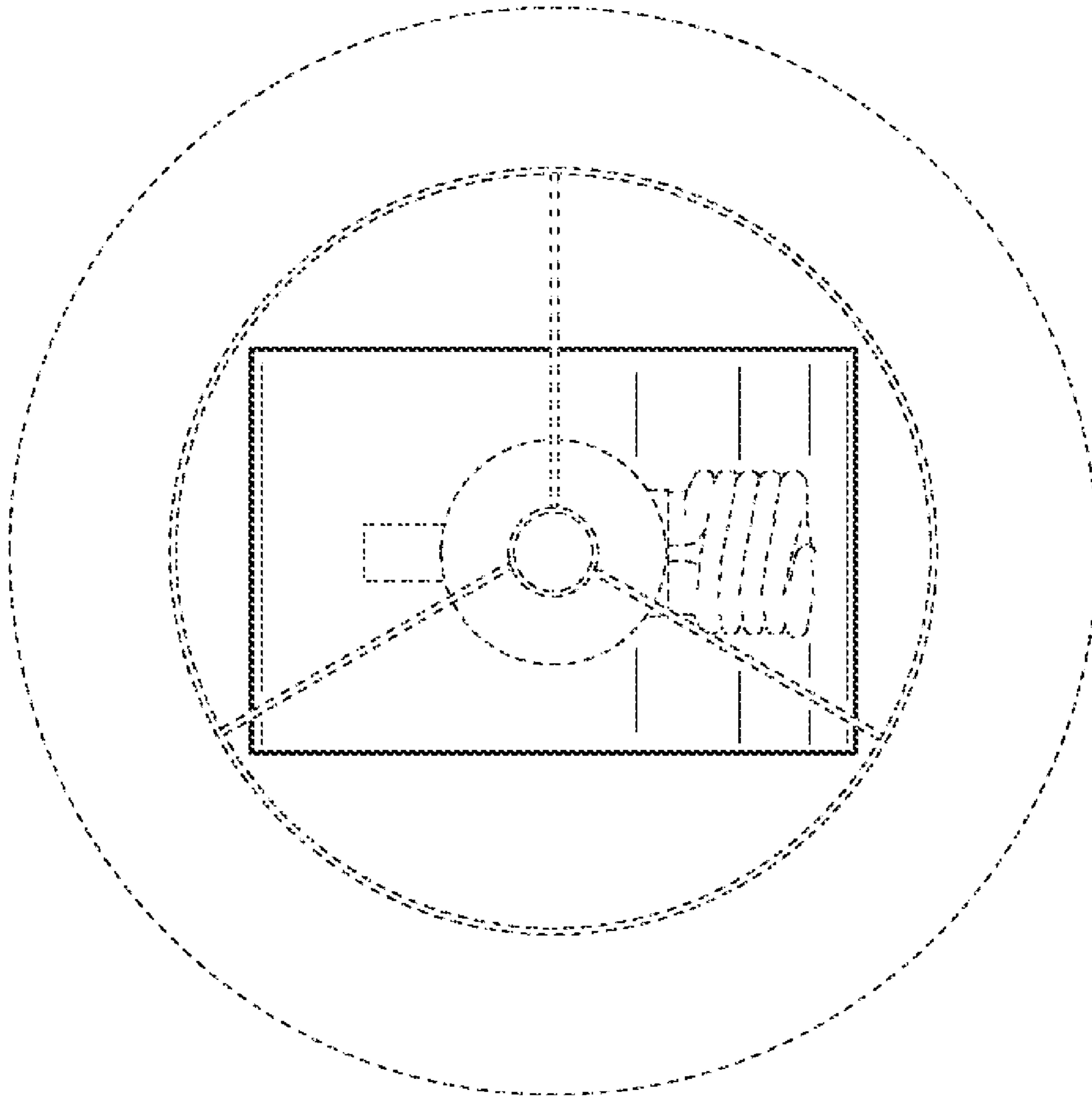


Fig. 4

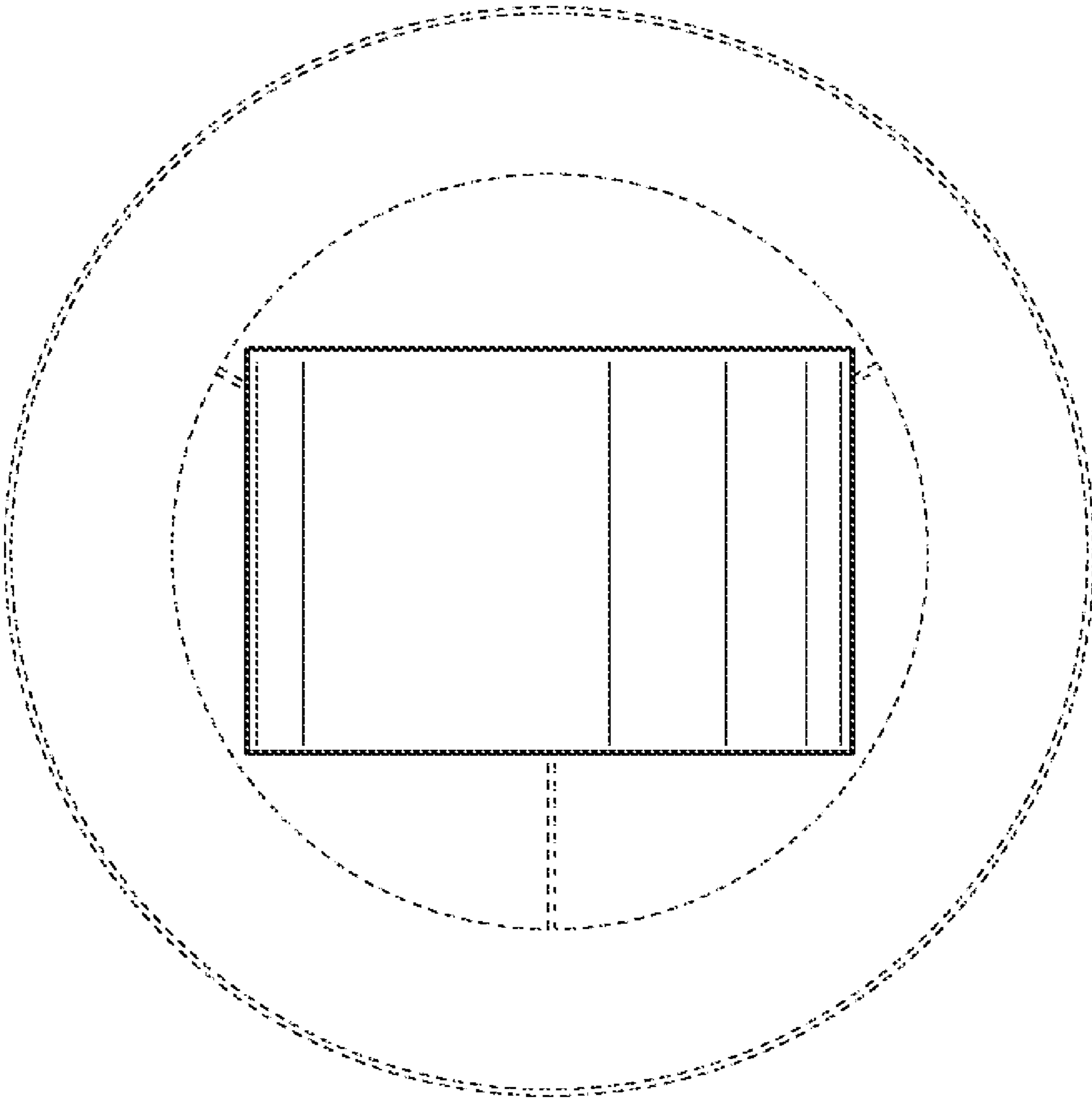


Fig. 5