



US00D642318S

(12) **United States Design Patent**  
**Mancini et al.**

(10) **Patent No.:** **US D642,318 S**  
(45) **Date of Patent:** **\*\* Jul. 26, 2011**

(54) **LIGHTING APPARATUS**

(75) Inventors: **Maria Mancini**, Turin (IT); **Carlo Albano**, Turin (IT); **Martina Krulis**, Turin (IT)

(73) Assignee: **ILTI Luce S.r.l.**, Turin (IT)

(\*\*) Term: **14 Years**

(21) Appl. No.: **29/363,893**

(22) Filed: **Jun. 16, 2010**

(30) **Foreign Application Priority Data**

Dec. 16, 2009 (EM) ..... 001184717-0011

(51) **LOC (9) Cl.** ..... **26-05**

(52) **U.S. Cl.** ..... **D26/83; D26/84**

(58) **Field of Classification Search** ..... D26/63,  
D26/72, 83, 84, 85, 86, 87, 88, 89, 119, 128;  
362/147, 350, 404-408, 453-456, 431, 432  
See application file for complete search history.

(56) **References Cited**

**U.S. PATENT DOCUMENTS**

D48,279 S *	12/1915	Guth	.....	D26/83
D50,193 S *	1/1917	Guth	.....	D26/84
D163,812 S *	7/1951	Mehr	.....	D26/63
D239,729 S *	4/1976	Alabardo	.....	D26/83
D264,254 S *	5/1982	Heritage	.....	D26/74
D367,722 S *	3/1996	Yuen	.....	D26/63

D392,761 S *	3/1998	Bellini et al.	.....	D26/63
D452,027 S *	12/2001	Mashevsky	.....	D26/63
D490,925 S *	6/2004	Wilmotte	.....	D26/63
6,793,368 B2 *	9/2004	Ladstatter	.....	362/221
D611,638 S *	3/2010	Sabernig	.....	D26/63
D620,174 S *	7/2010	Sabernig	.....	D26/83
D620,179 S *	7/2010	Sabernig	.....	D26/84

**OTHER PUBLICATIONS**

Blocs—6 lite pendant # E22034-18 shown on p. 188 of the ET2 2007 Lighting Catalog.\*

Matria Collection 13½" Wide Ceiling Light Fixture. found at eurostylelighting.com, visited on Aug. 15, 2010.\*

Steps Collection 15" Wide 4-Light Ceiling Light. Found at eurostylelighting.com, visited on Aug. 15, 2010.\*

\* cited by examiner

*Primary Examiner* — Clare E Heflin

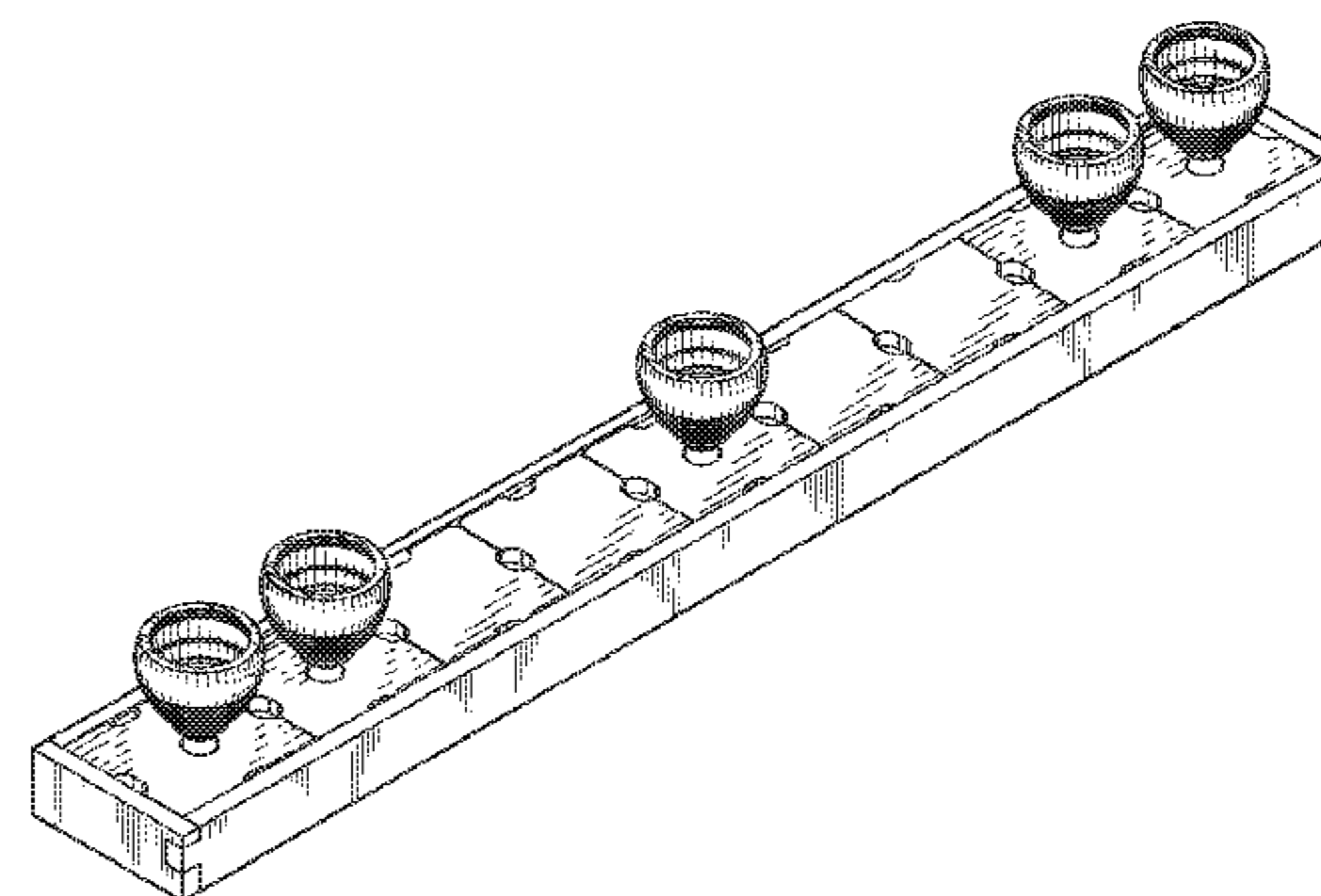
(57) **CLAIM**

The ornamental design for a lighting apparatus, as shown.

**DESCRIPTION**

FIG. 1 is a perspective view showing my design;  
FIG. 2 is a front elevational view thereof;  
FIG. 3 is a rear elevational view thereof;  
FIG. 4 is a right side elevational view thereof;  
FIG. 5 is a left side elevational view thereof;  
FIG. 6 is a top plan view thereof; and,  
FIG. 7 is a bottom plan view thereof.

**1 Claim, 3 Drawing Sheets**



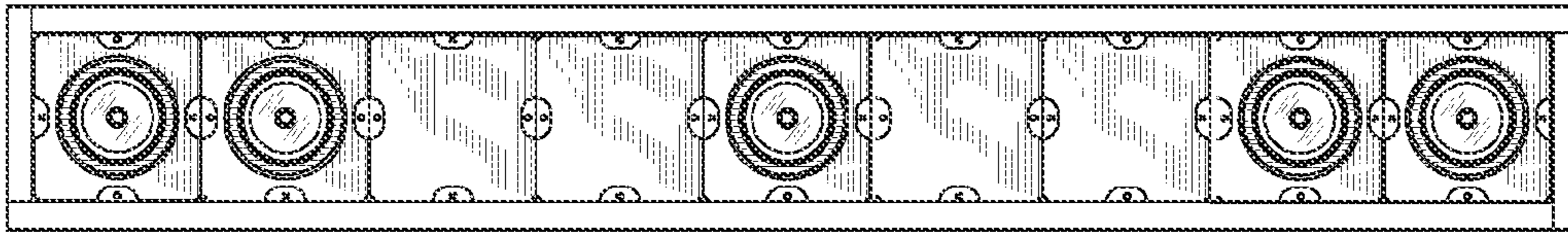


FIG. 1

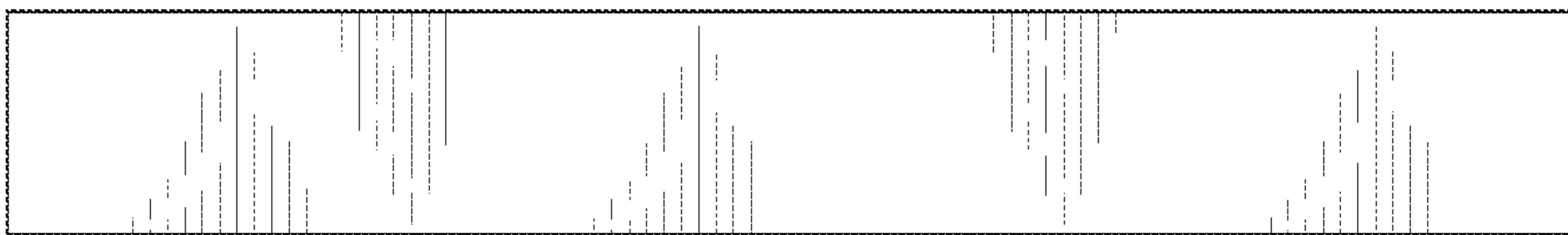


FIG. 2

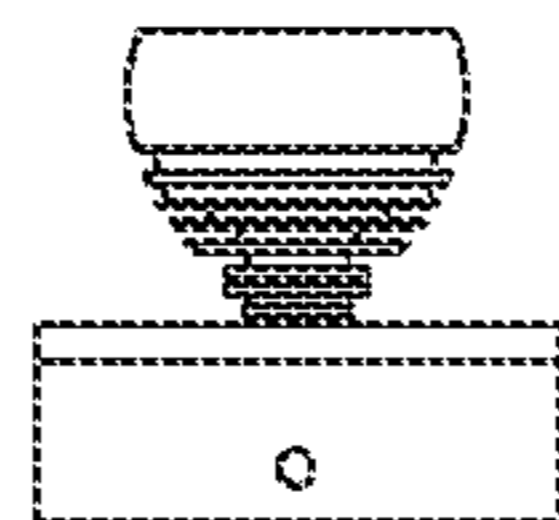


FIG. 3

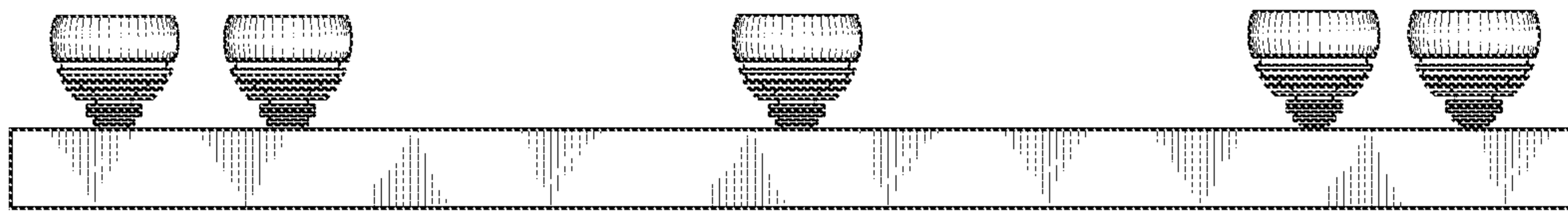


FIG. 4

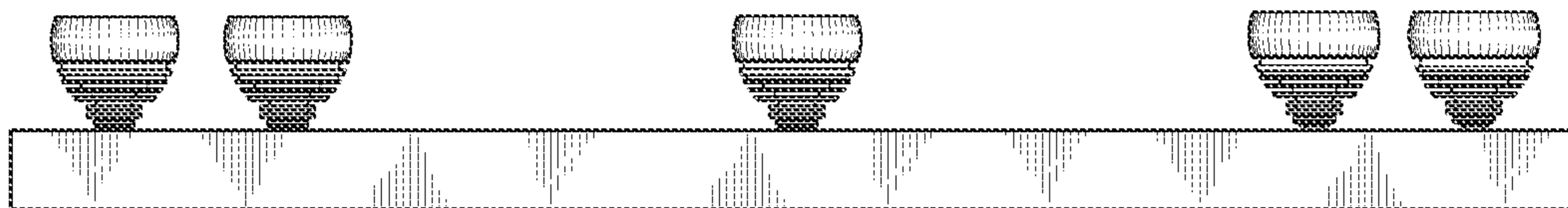


FIG. 5

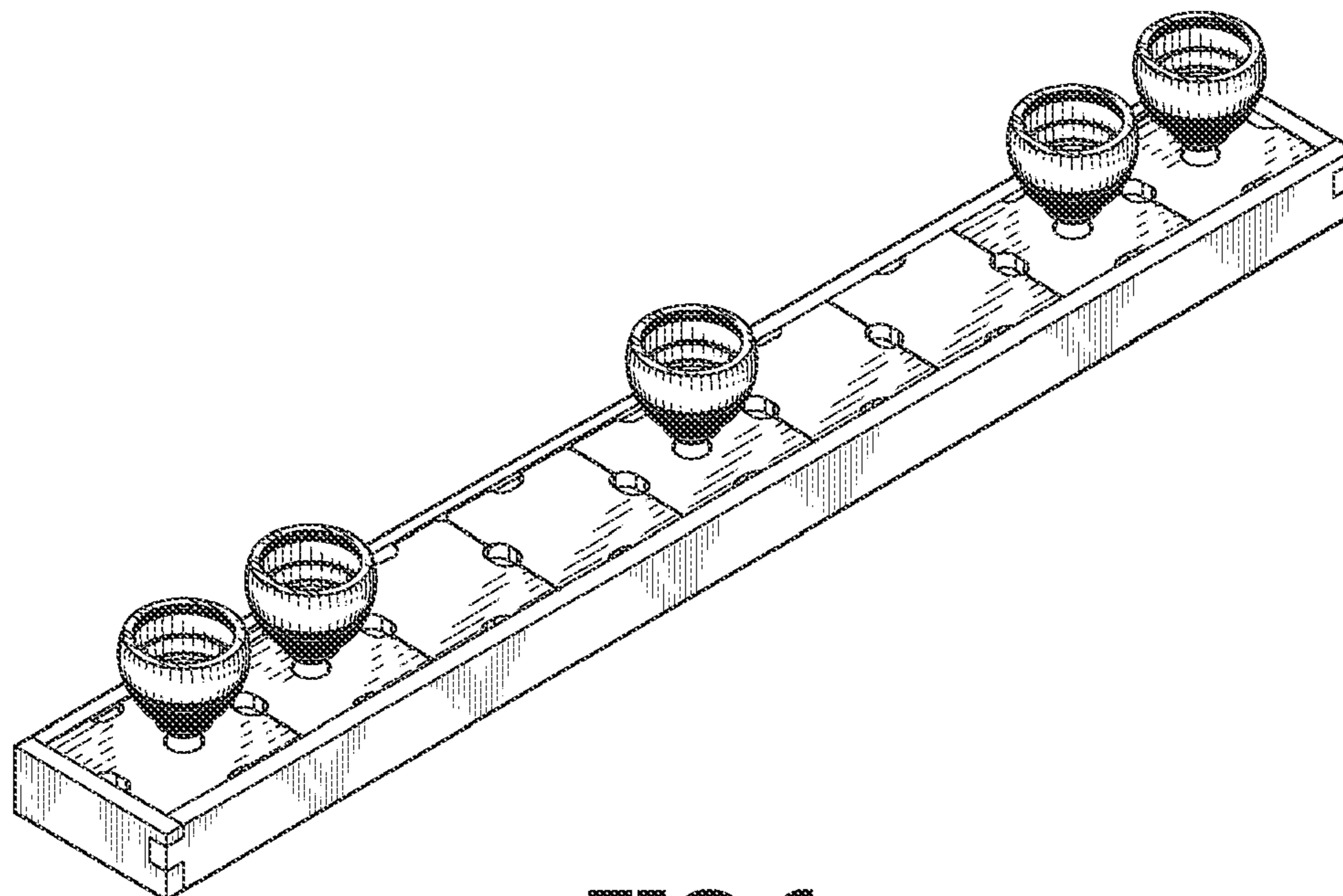


FIG. 6

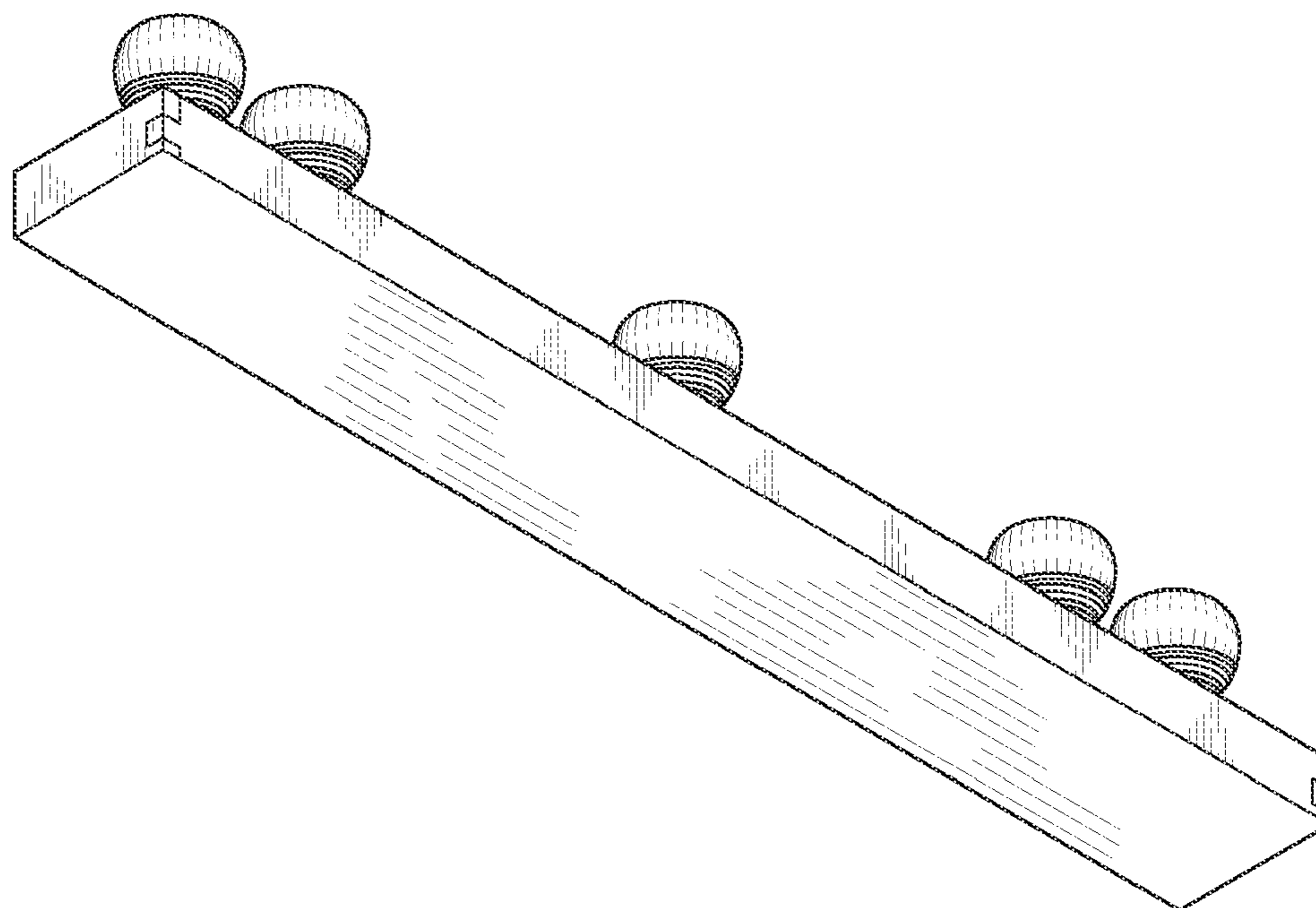


FIG. 7