



US00D642317S

(12) **United States Design Patent**  
**Rashidi**

(10) **Patent No.:** **US D642,317 S**  
(45) **Date of Patent:** **\*\* Jul. 26, 2011**

- (54) **LIGHT CANISTER HOUSING**
  - (76) Inventor: **Hamid Rashidi**, Montebello, CA (US)
  - (\*\*) Term: **14 Years**
  - (21) Appl. No.: **29/316,521**
  - (22) Filed: **Oct. 5, 2009**
  - (51) **LOC (9) Cl.** ..... **26-05**
  - (52) **U.S. Cl.** ..... **D26/74**
  - (58) **Field of Classification Search** ..... D26/74,  
D26/72, 24, 36, 59, 118, 133, 134; 362/145,  
362/147, 148, 150, 151, 153, 218, 217.06,  
362/217.07, 294, 296.01, 296.06, 296.07,  
362/296.08, 311.07, 311.09, 364, 365, 373;  
D13/179
- See application file for complete search history.

7,717,390	B1 *	5/2010	Rashidi	.....	248/343
D617,934	S *	6/2010	Rashidi	.....	D26/74
7,736,031	B1 *	6/2010	Rashidi	.....	362/364
2009/0231861	A1 *	9/2009	Wedekind	.....	362/365
2009/0284958	A1 *	11/2009	Pickard et al.	.....	362/147

\* cited by examiner

*Primary Examiner* — Angela Lee  
(74) *Attorney, Agent, or Firm* — Thomas I. Rozsa

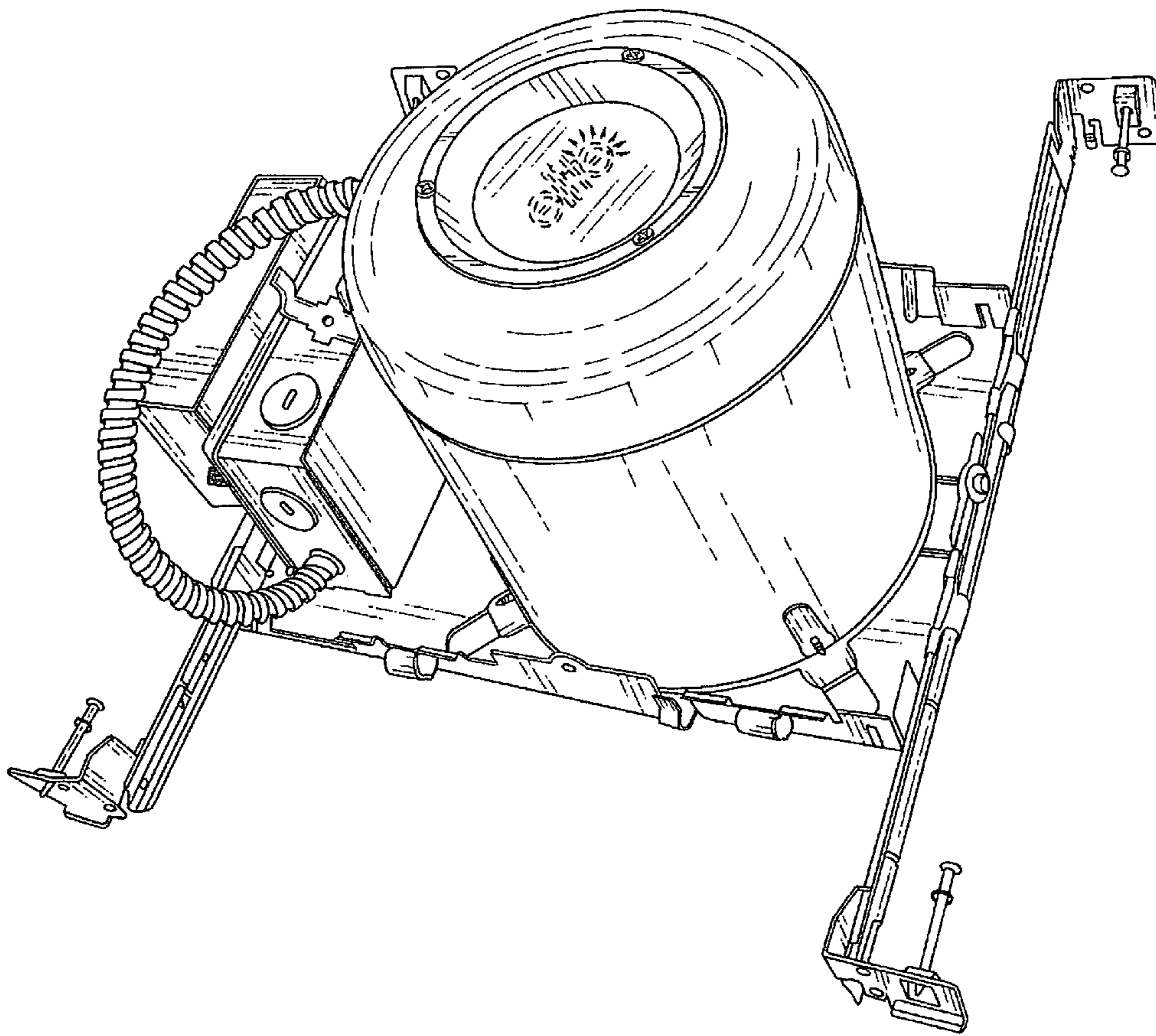
(57) **CLAIM**  
The ornamental design for a light canister housing, as shown and described.

**DESCRIPTION**

FIG. 1 is a top perspective view of the light canister housing showing my new design;  
 FIG. 2 is a top plan view;  
 FIG. 3 is a bottom plan view, the broken lines illustrate portions of the light canister housing and form no part of the claimed design;  
 FIG. 4 is a side elevational view when viewed from the left side;  
 FIG. 5 is a side elevational view when viewed from the right side;  
 FIG. 6 is a front elevational view; and,  
 FIG. 7 is a rear elevational view.

**1 Claim, 7 Drawing Sheets**

- (56) **References Cited**
- U.S. PATENT DOCUMENTS
- 5,440,471 A \* 8/1995 Zadeh ..... 362/365
- 5,690,423 A \* 11/1997 Hentz et al. .... 362/365
- 5,957,574 A \* 9/1999 Hentz et al. .... 362/365
- D544,128 S \* 6/2007 Carro ..... D26/74
- D571,944 S \* 6/2008 Pickard et al. .... D26/74
- D596,330 S \* 7/2009 Pickard et al. .... D26/74
- D613,444 S \* 4/2010 Rashidi ..... D26/74



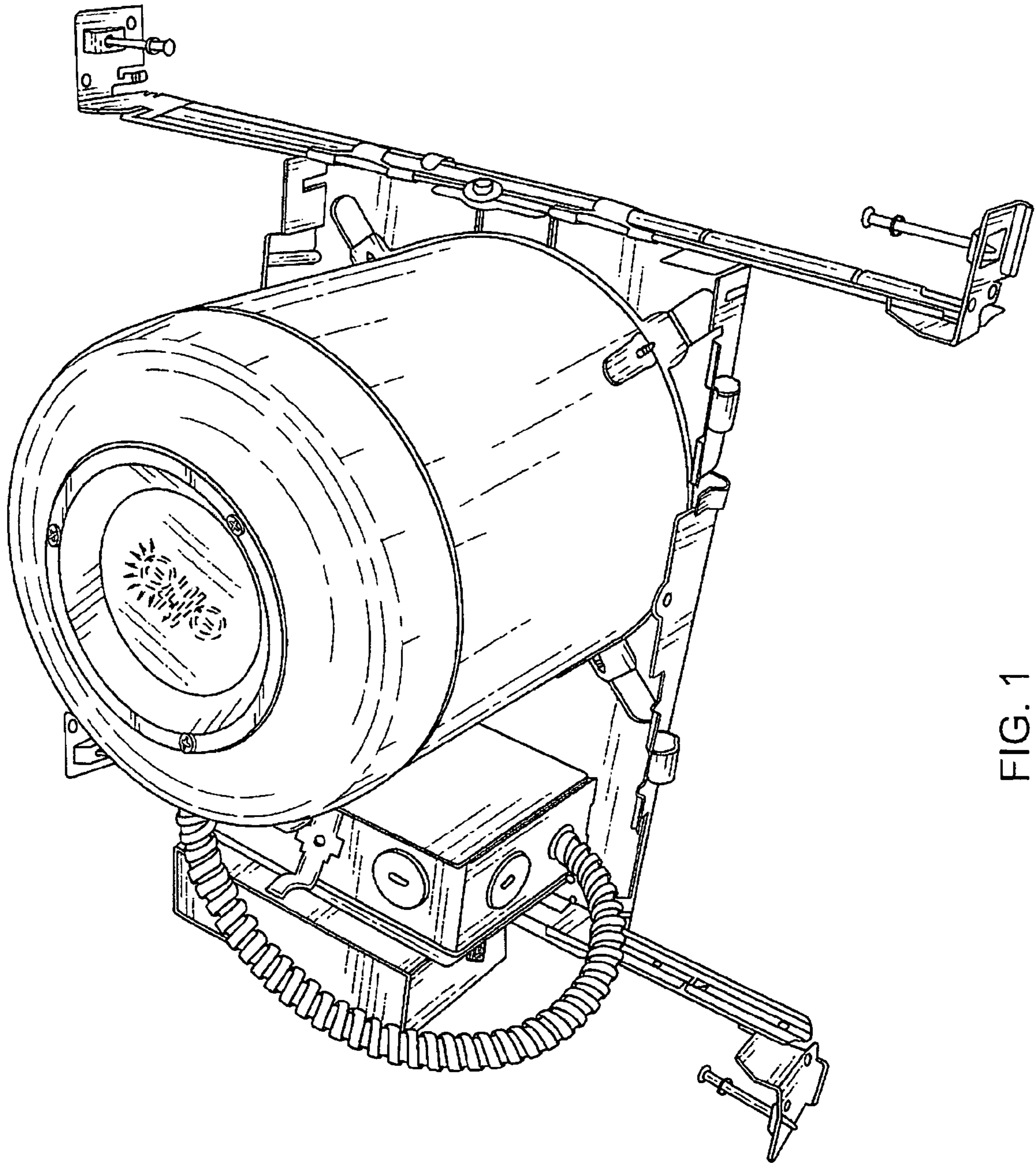


FIG. 1

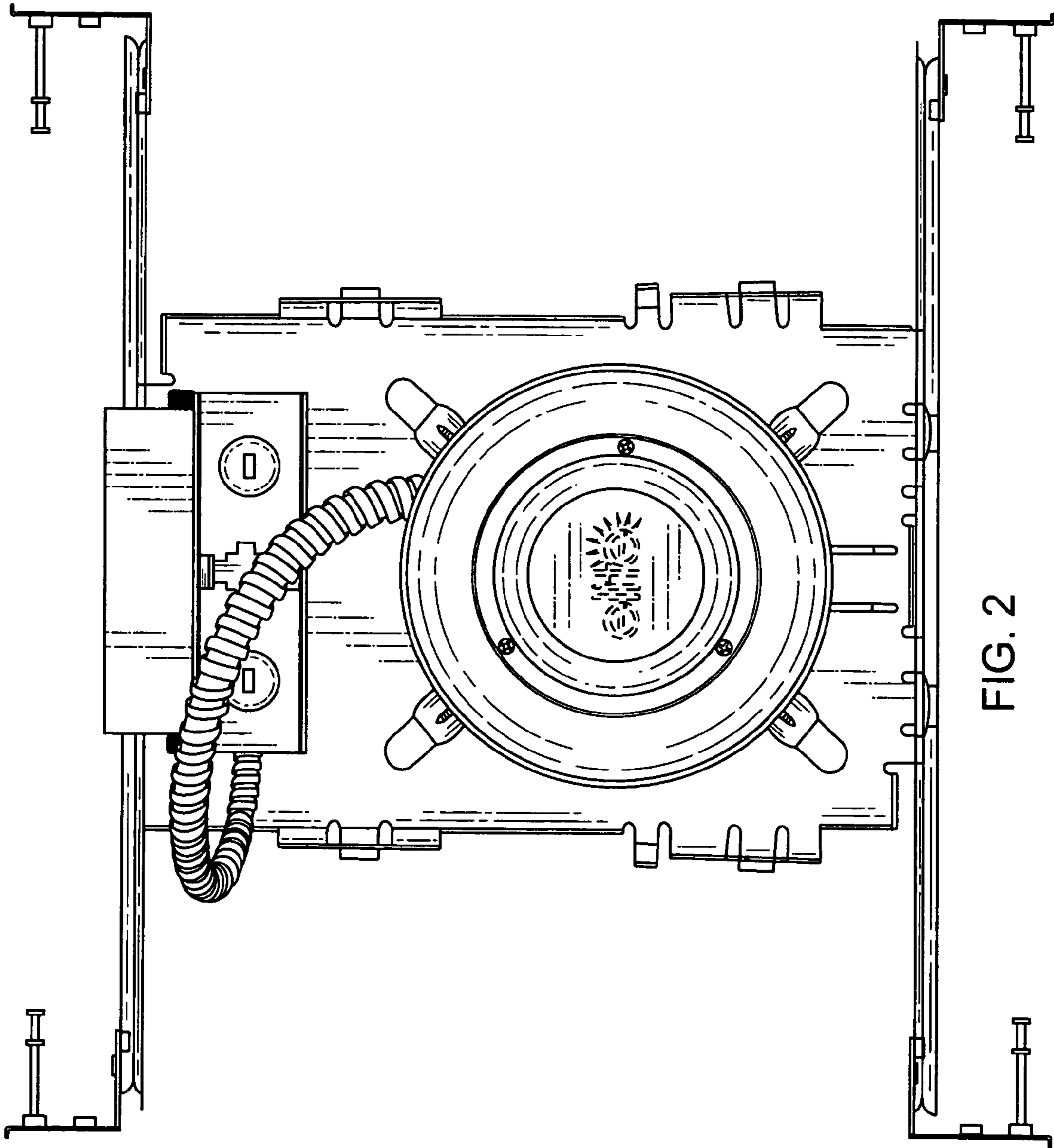


FIG. 2



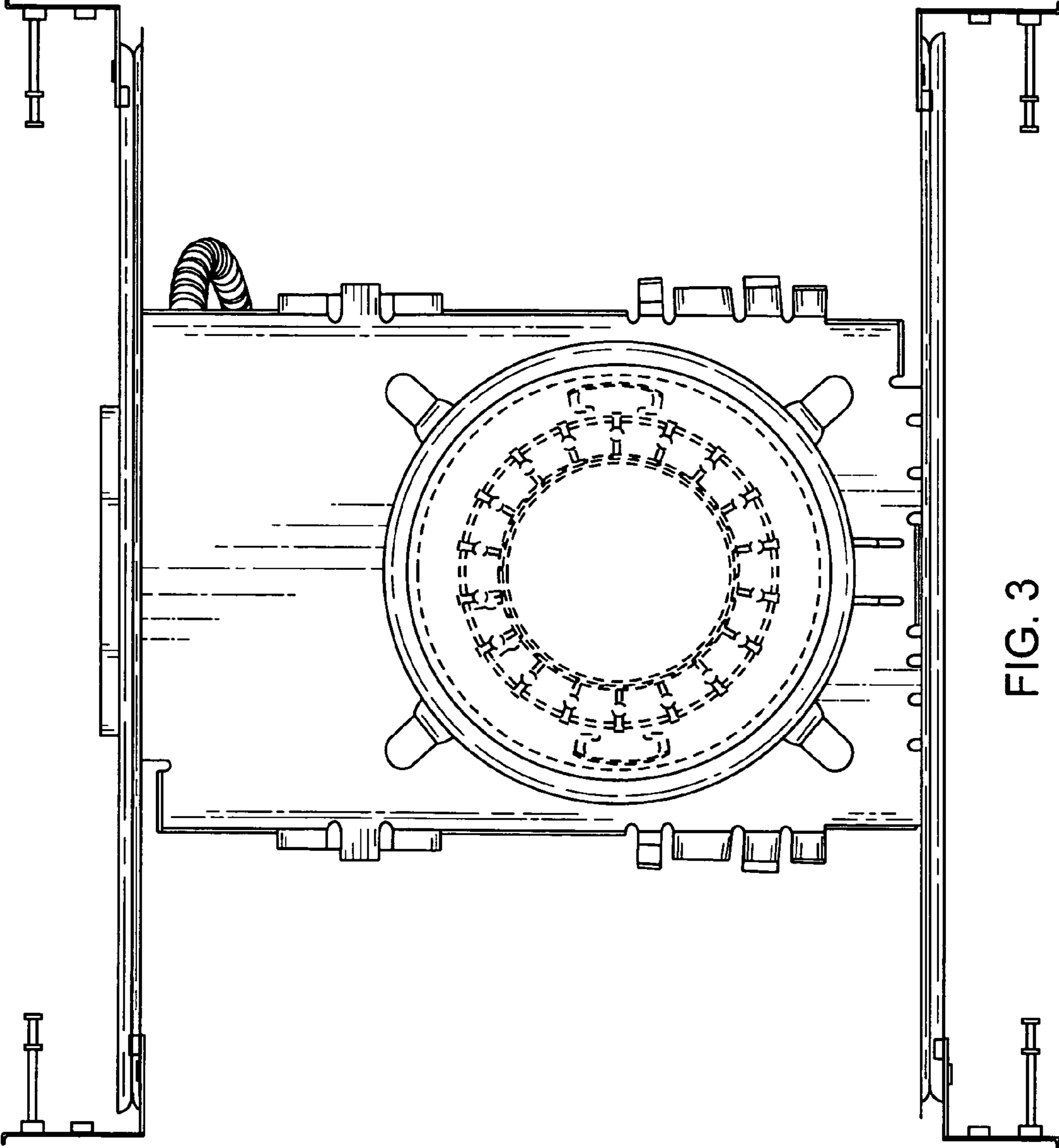


FIG. 3

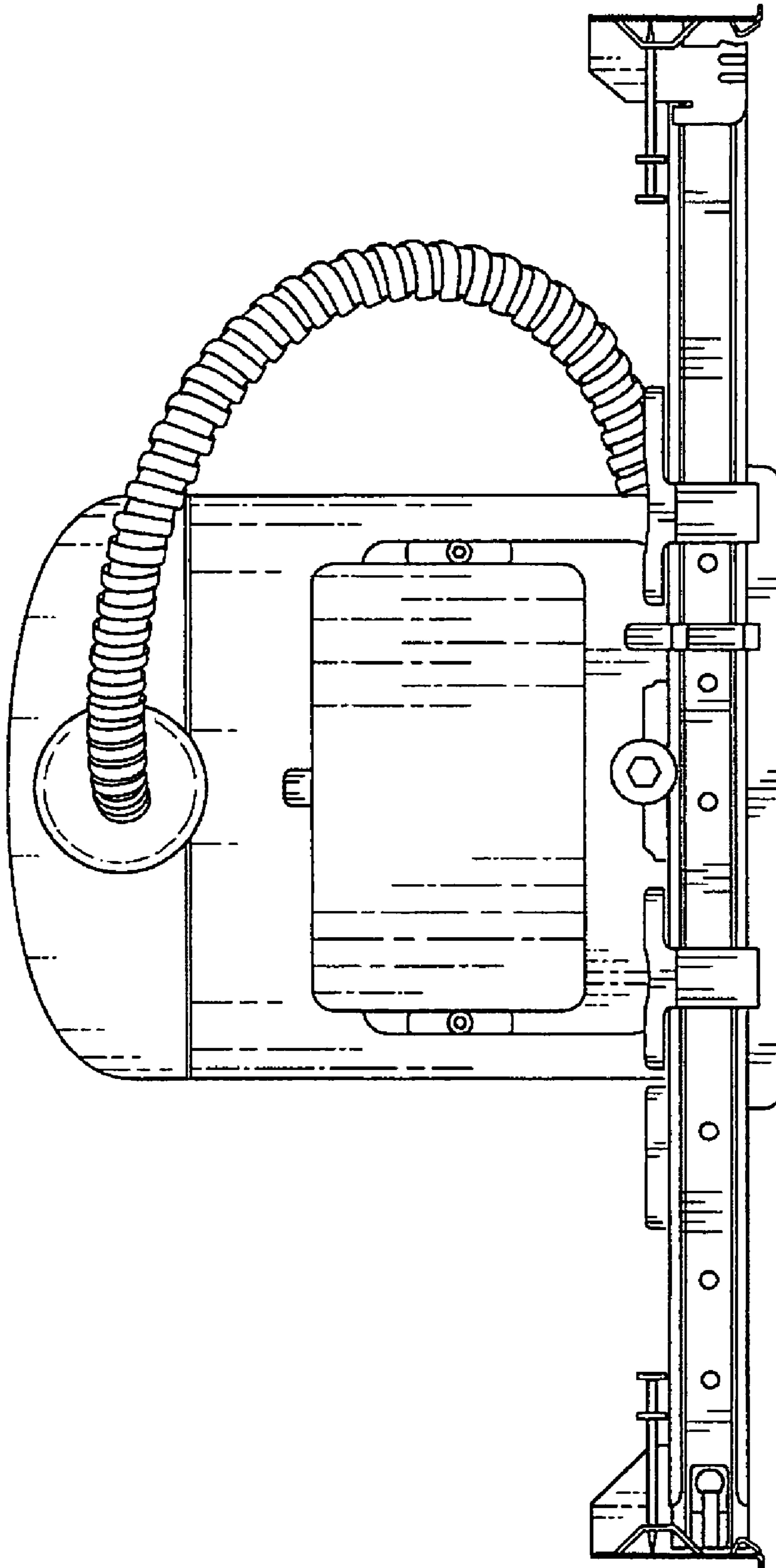


FIG. 4

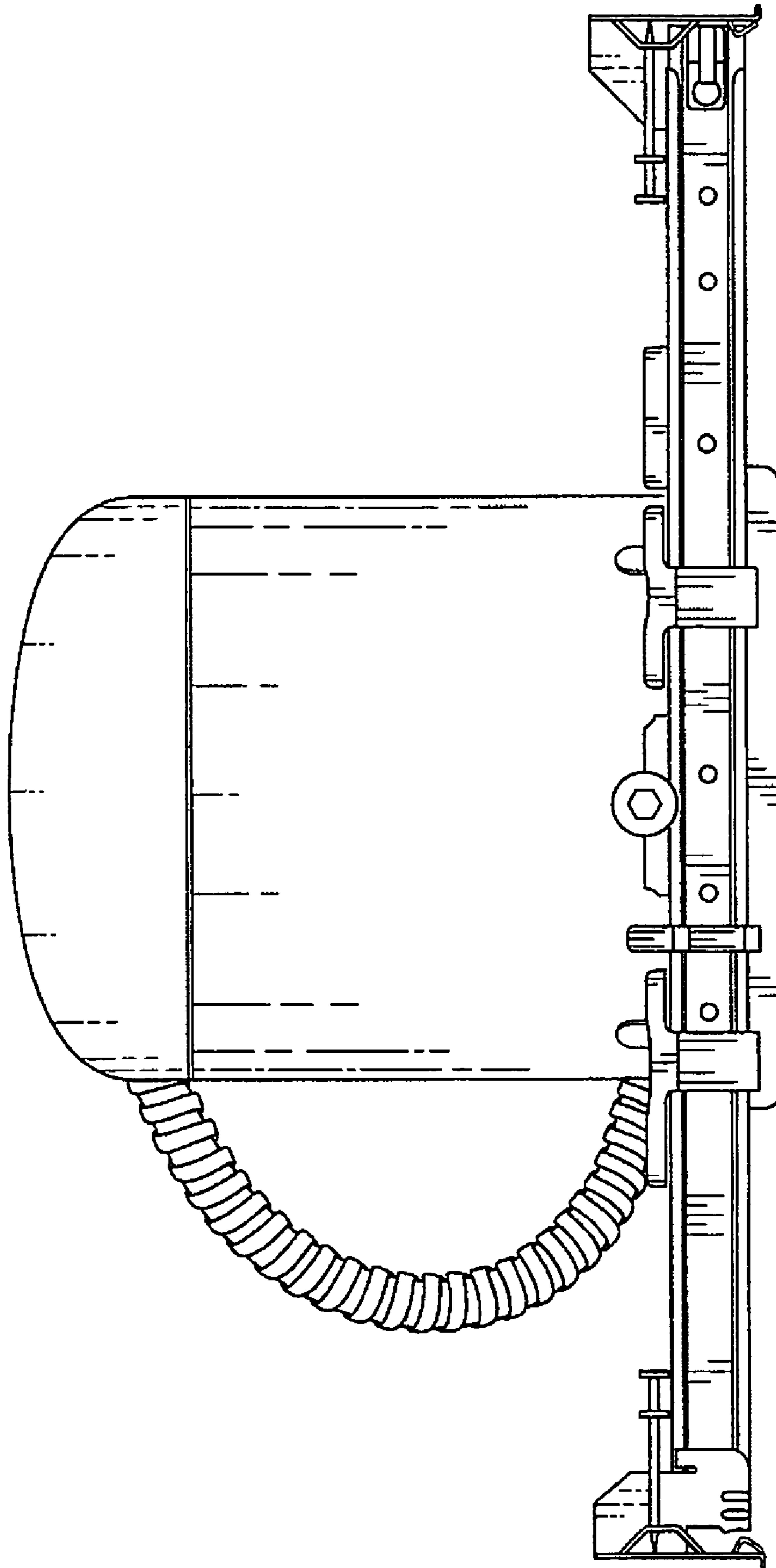


FIG. 5

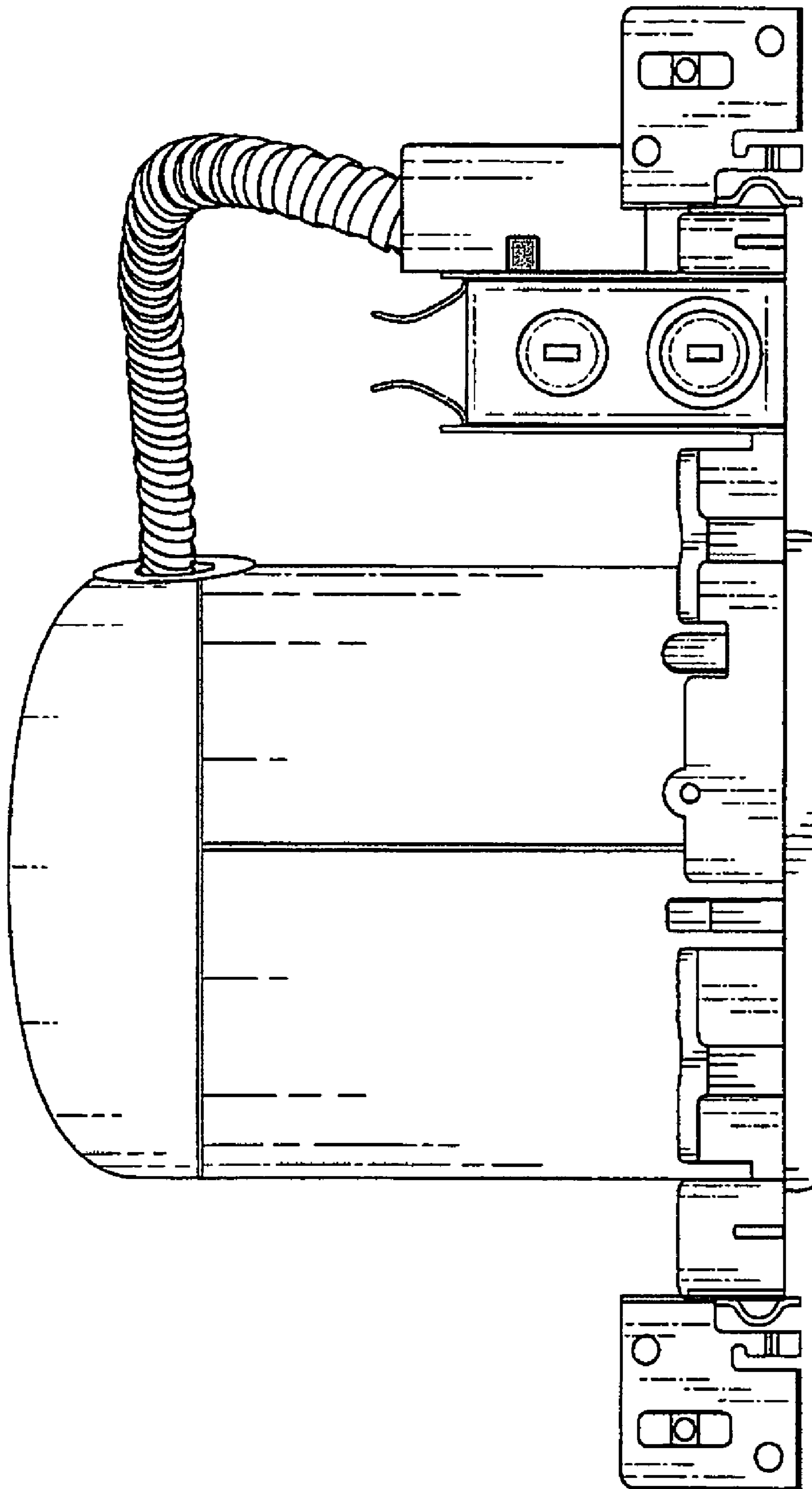


FIG. 6

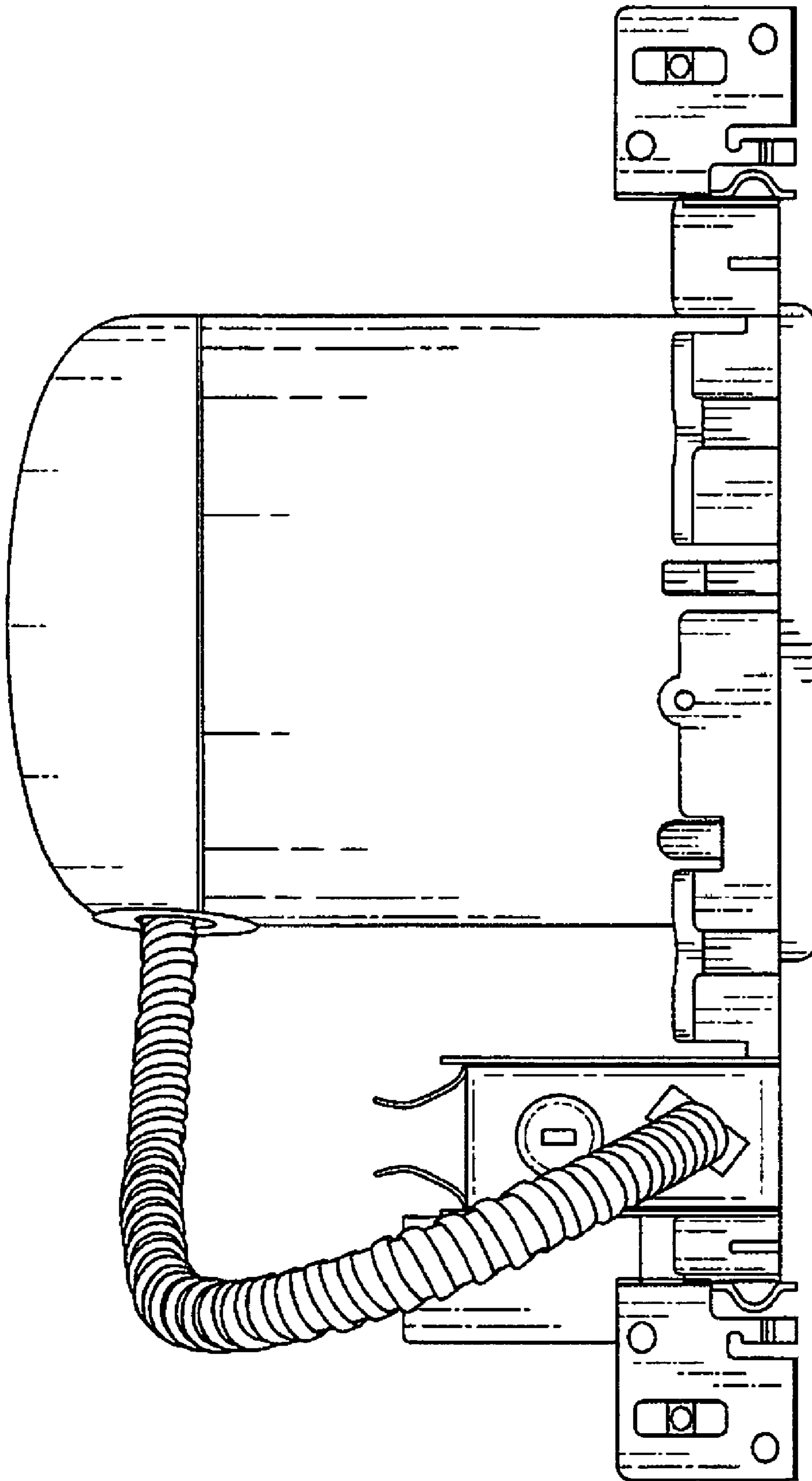


FIG. 7