



US00D642316S

(12) **United States Design Patent**
Zheng et al.

(10) **Patent No.:** **US D642,316 S**

(45) **Date of Patent:** **** Jul. 26, 2011**

(54) **LED LAMP**

(75) Inventors: **Shi-Song Zheng**, Shenzhen (CN); **Lin Wen**, Shenzhen (CN); **Shih-Hsun Wung**, Taipei Hsien (TW)

(73) Assignee: **Foxconn Technology Co., Ltd.**, Tu-Cheng, New Taipei (TW)

(**) Term: **14 Years**

(21) Appl. No.: **29/360,038**

(22) Filed: **Apr. 20, 2010**

(51) **LOC (9) Cl.** **26-05**

(52) **U.S. Cl.** **D26/72; D26/2**

(58) **Field of Classification Search** D26/2,
D26/67, 70, 71, 72, 85; D13/179; 362/264,
362/311.02, 373, 547, 652, 800; 313/46;
361/697

See application file for complete search history.

(56) **References Cited**

U.S. PATENT DOCUMENTS

D199,758 S *	12/1964	Biggs	D26/2
D291,835 S *	9/1987	Michael	D26/24
D352,120 S *	11/1994	Haraden et al.	D26/2
D470,607 S *	2/2003	Bobel	D26/2
D480,692 S *	10/2003	Lee	D13/179
D560,286 S *	1/2008	Maxik et al.	D26/2
D573,112 S *	7/2008	Xu	D13/179
D573,288 S *	7/2008	Xu et al.	D26/67
D573,290 S *	7/2008	Shuai et al.	D26/67

D578,694 S *	10/2008	Zeng et al.	D26/70
7,458,706 B1 *	12/2008	Liu et al.	362/373
D587,383 S *	2/2009	Wei	D26/2
D596,764 S *	7/2009	Yang et al.	D26/2
D596,765 S *	7/2009	Chiu	D26/2
D614,321 S *	4/2010	Yang	D26/2
D618,634 S *	6/2010	Lin et al.	D13/179
D619,551 S *	7/2010	Lin et al.	D13/179
D623,337 S *	9/2010	Zheng	D26/67
D623,779 S *	9/2010	Wang et al.	D26/2
D629,930 S *	12/2010	Cotter et al.	D26/2
2004/0240226 A1 *	12/2004	Gross et al.	362/544
2009/0103308 A1 *	4/2009	Xu et al.	362/294
2009/0147520 A1 *	6/2009	Liu et al.	362/294
2009/0279314 A1 *	11/2009	Wu et al.	362/373

* cited by examiner

Primary Examiner — Clare E Heflin

(74) *Attorney, Agent, or Firm* — Raymond J. Chew

(57) **CLAIM**

The ornamental design for an LED lamp, as shown.

DESCRIPTION

FIG. 1 is a perspective view of an LED lamp showing our new design.

FIG. 2 is a front elevational view thereof.

FIG. 3 is a rear elevational view thereof.

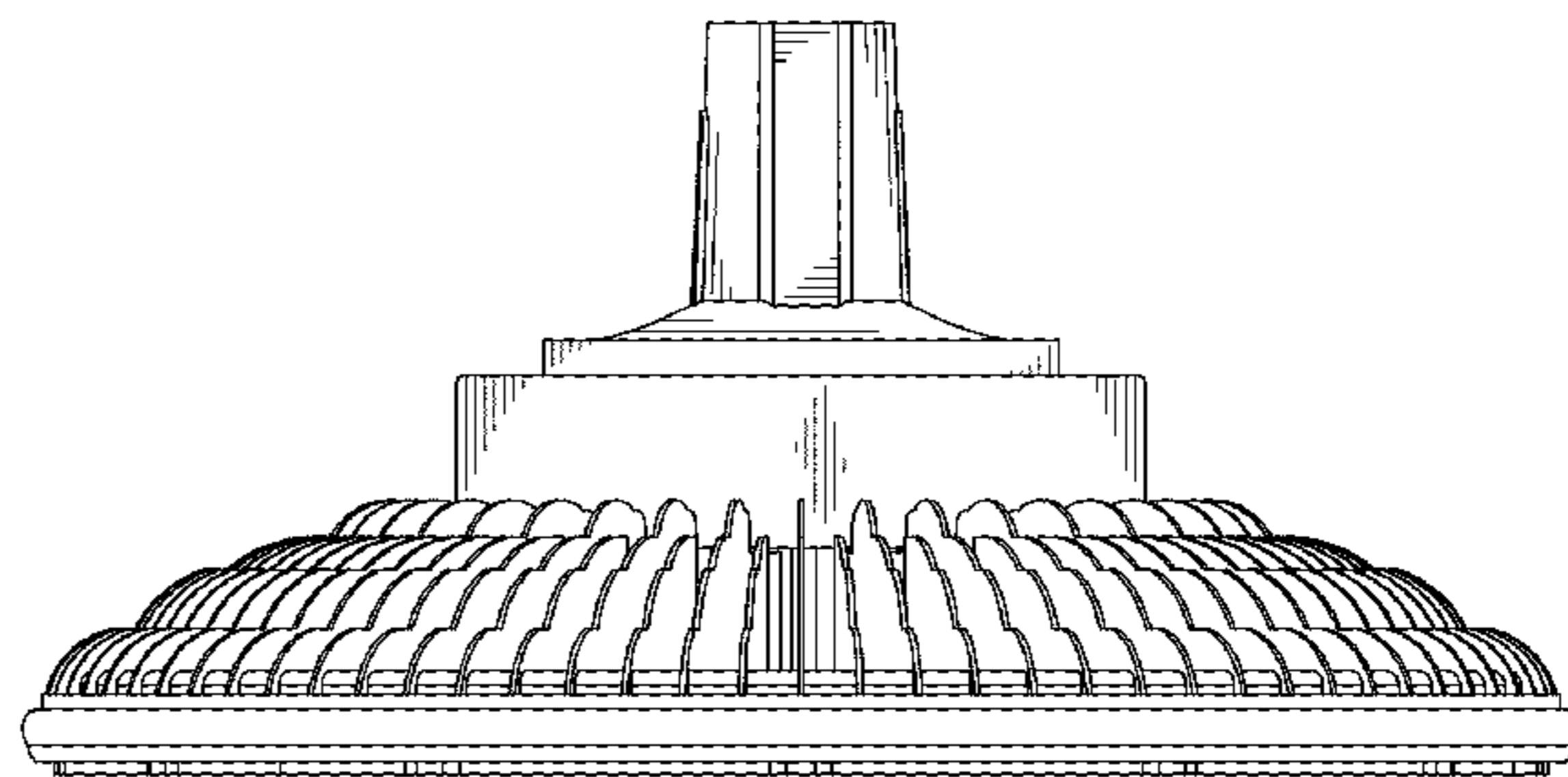
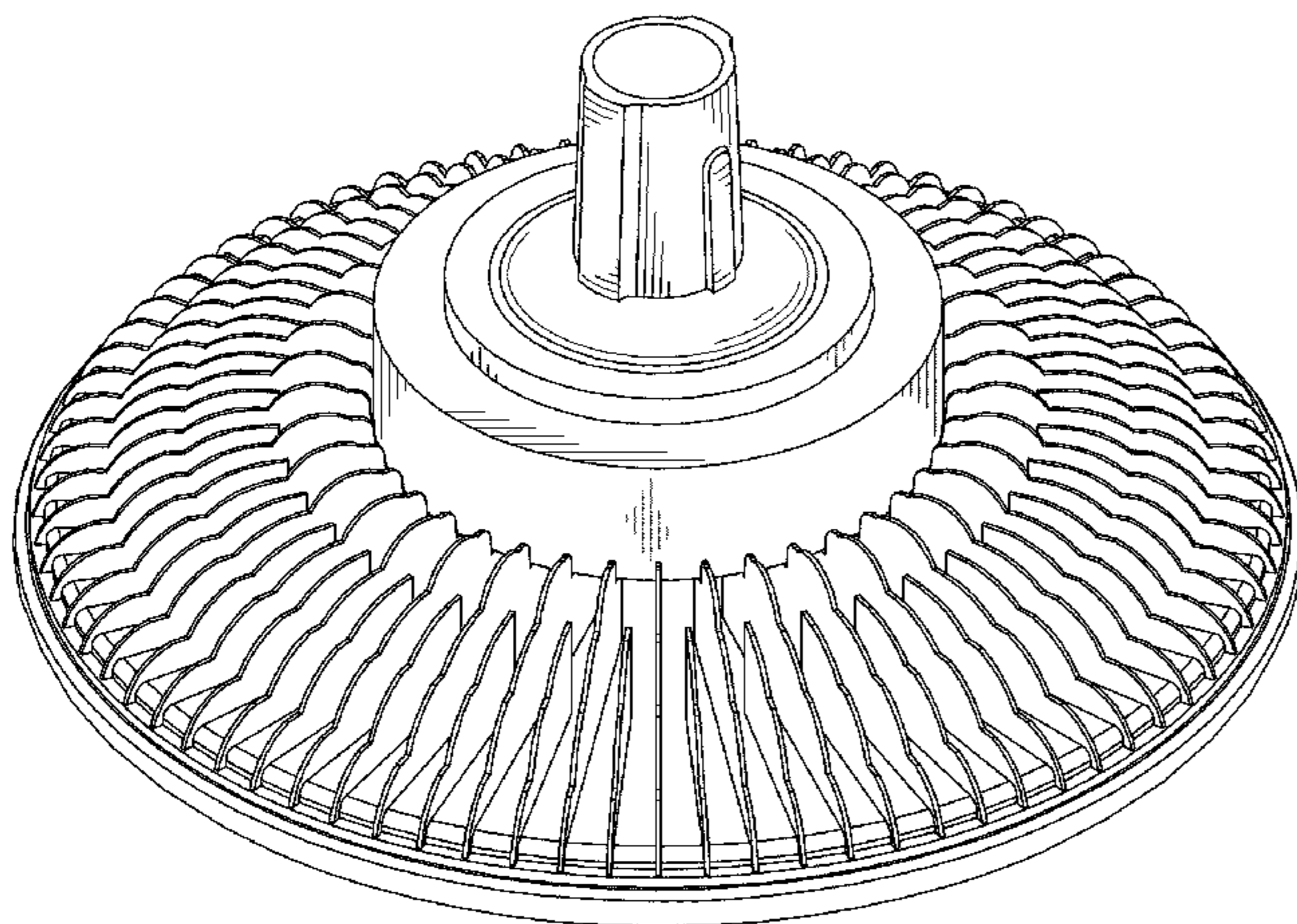
FIG. 4 is a left-side, elevational view thereof.

FIG. 5 is a right-side, elevational view thereof.

FIG. 6 is a top plan view thereof; and,

FIG. 7 is a bottom plan view thereof.

1 Claim, 7 Drawing Sheets



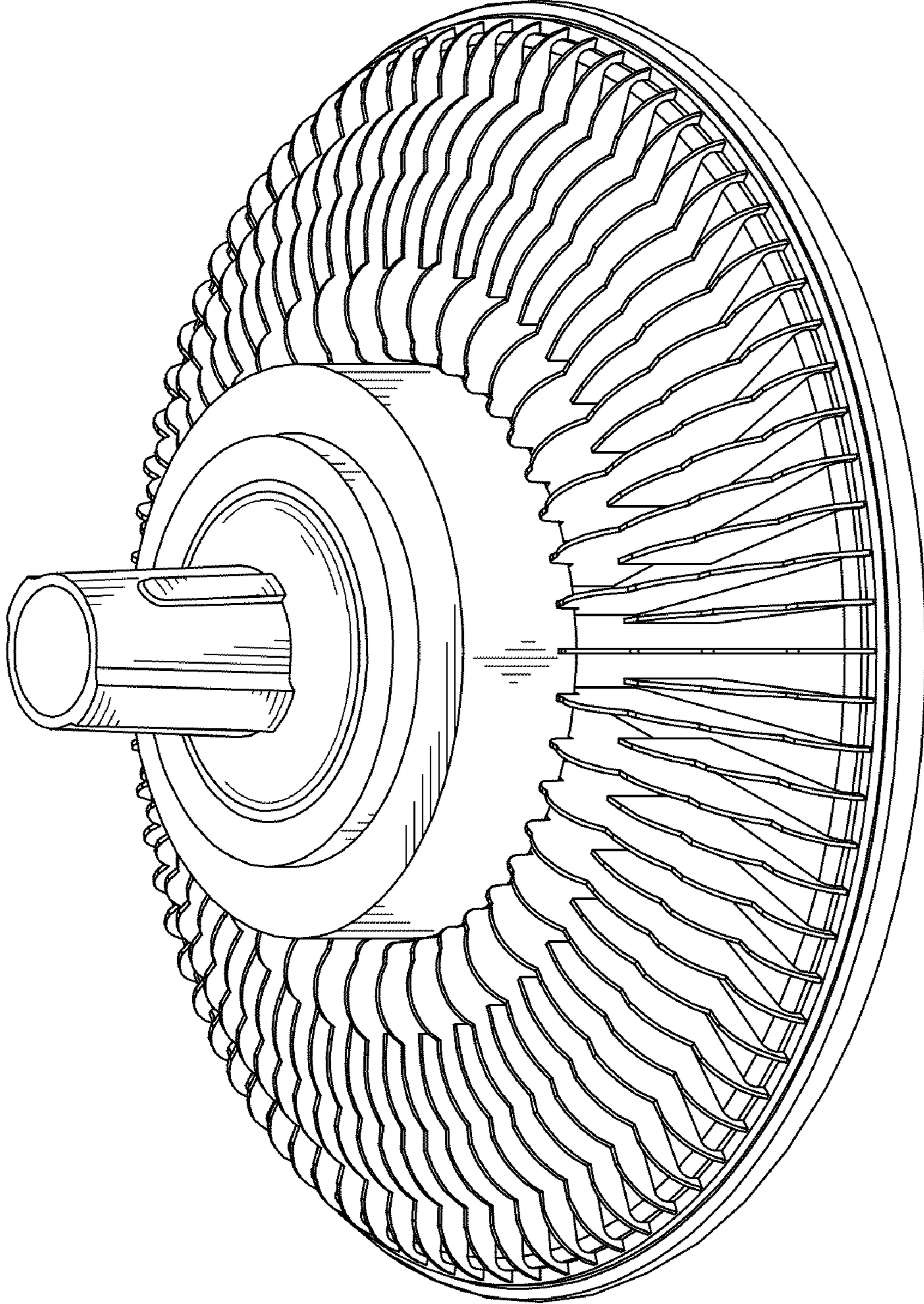


FIG. 1

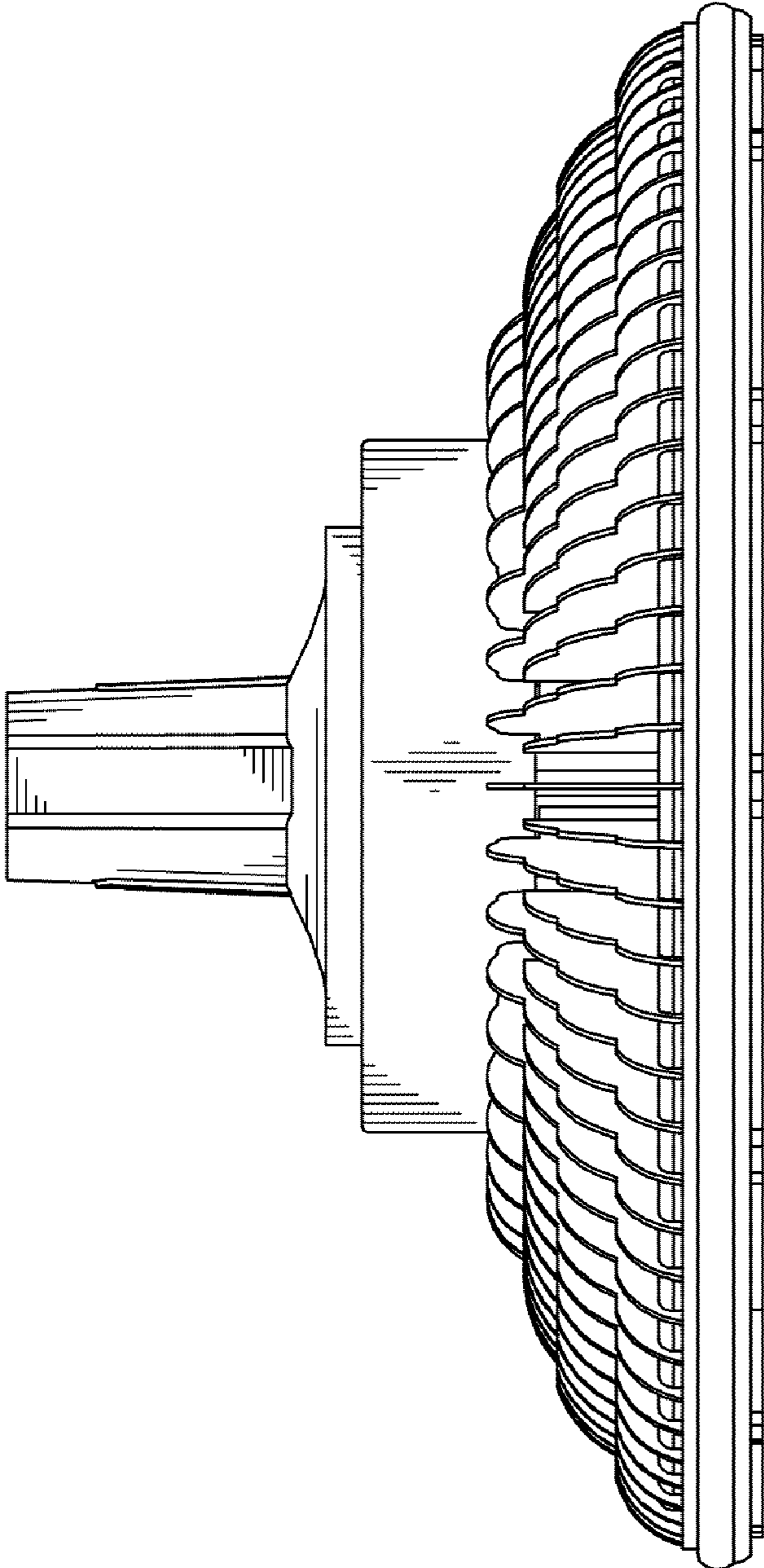


FIG. 2

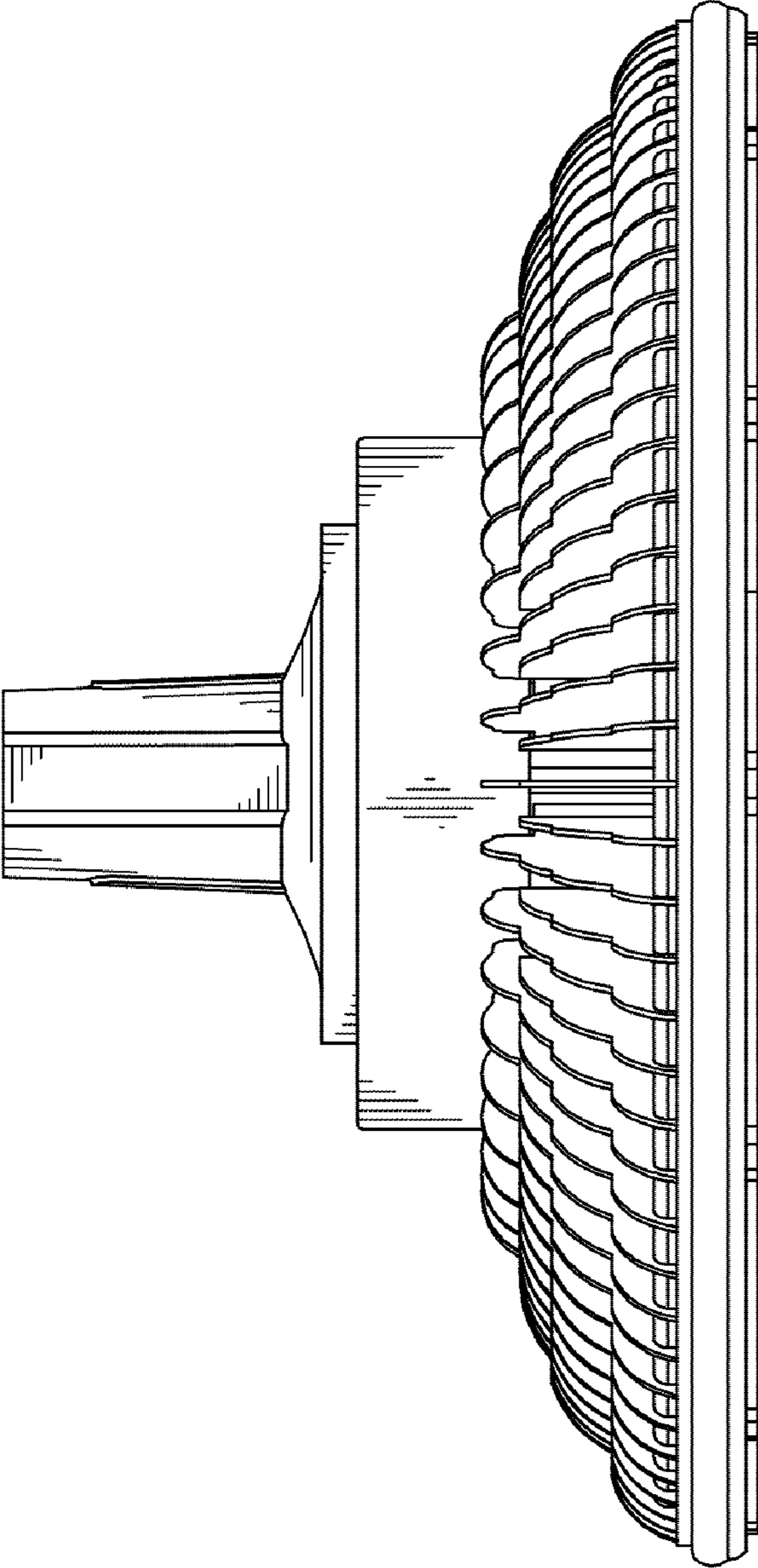


FIG. 3

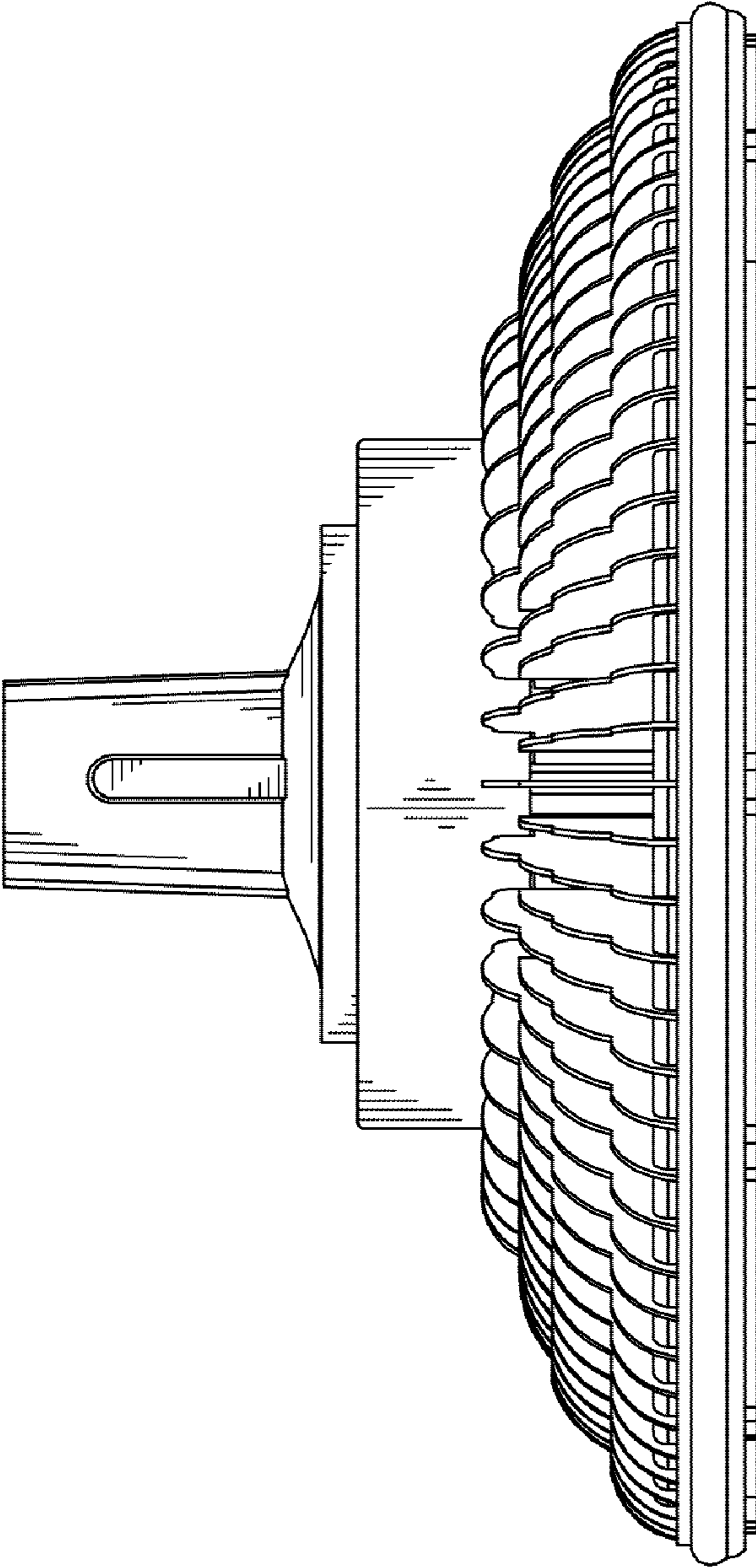


FIG. 4

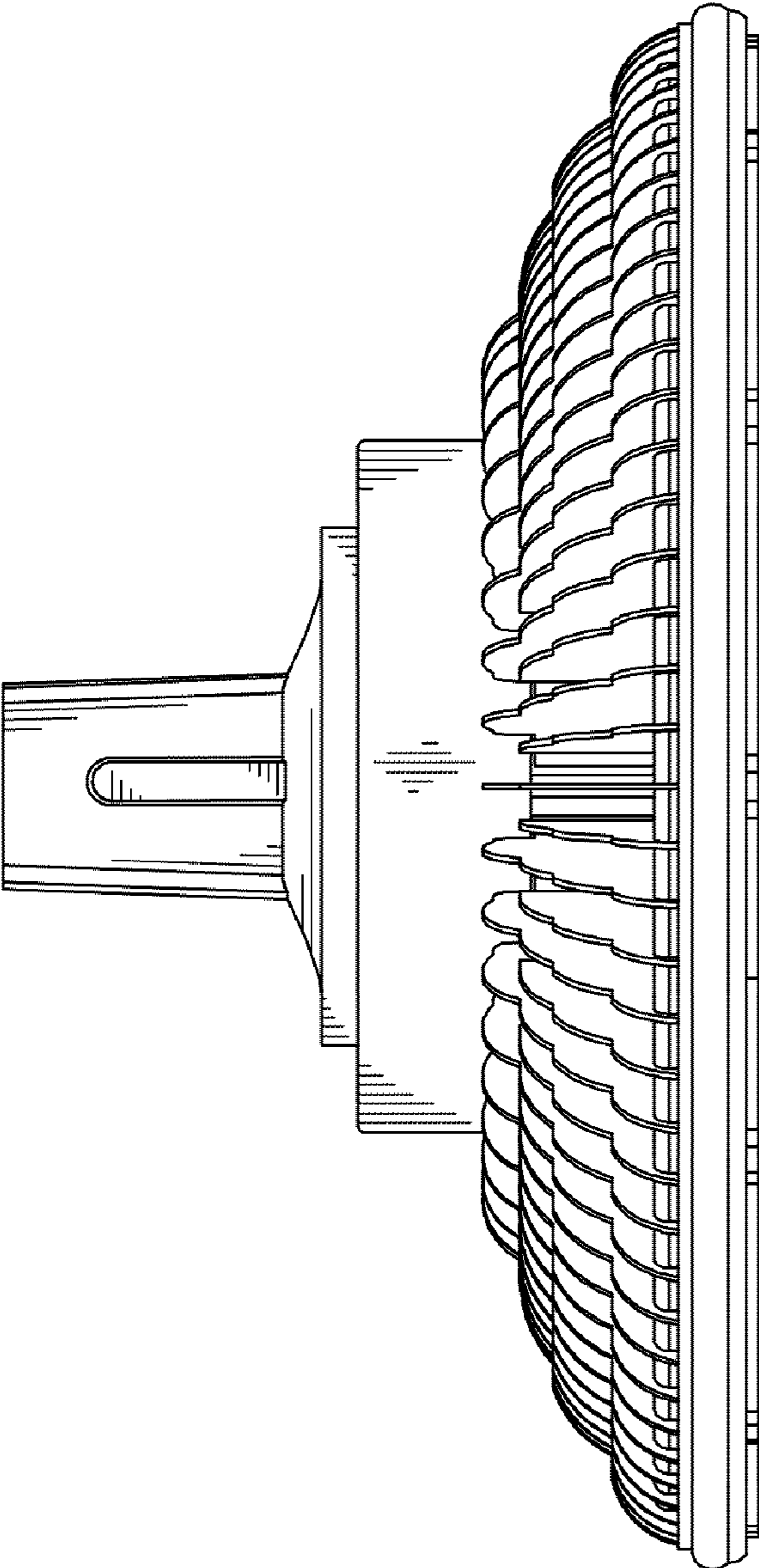


FIG. 5

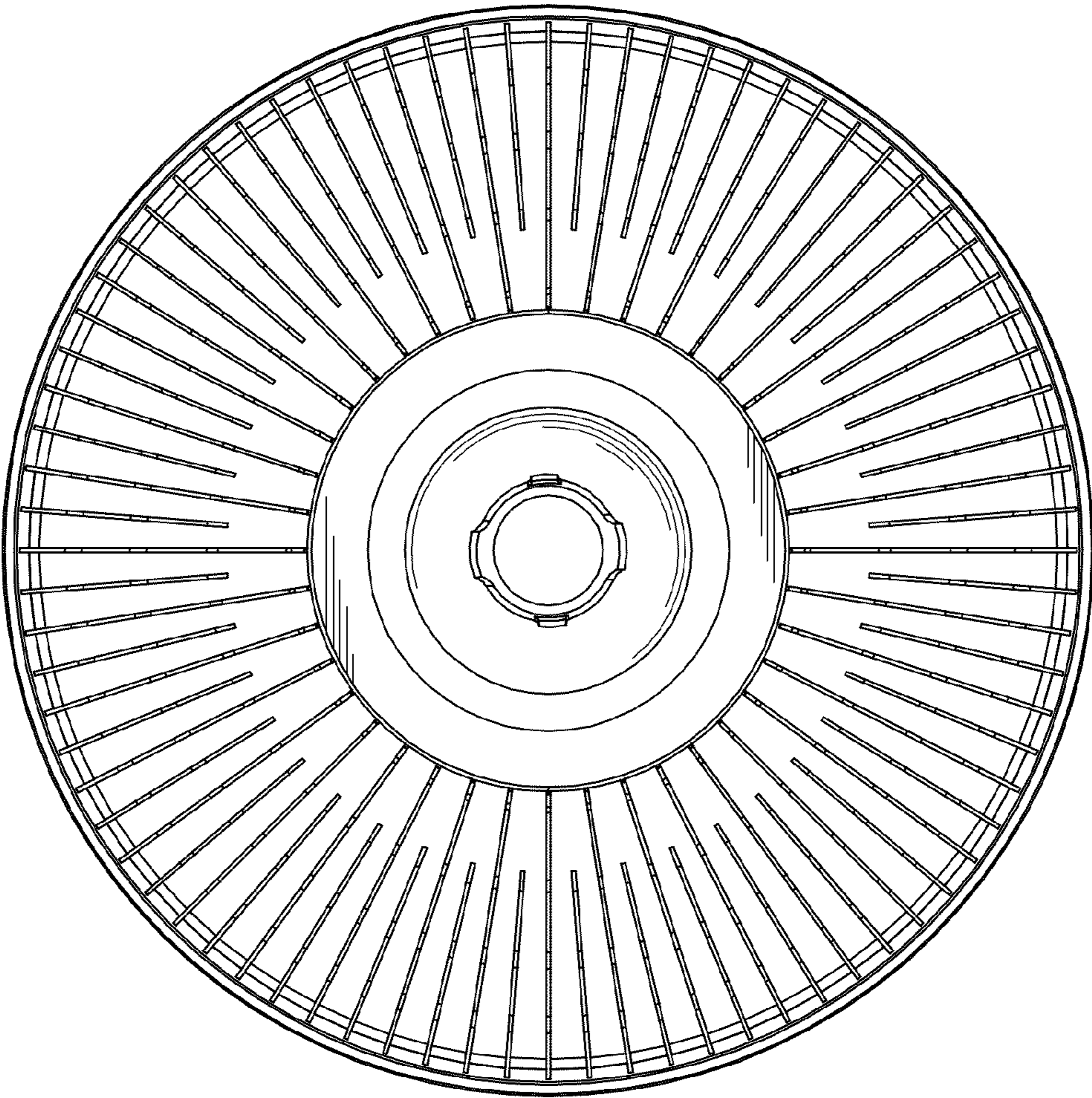


FIG. 6

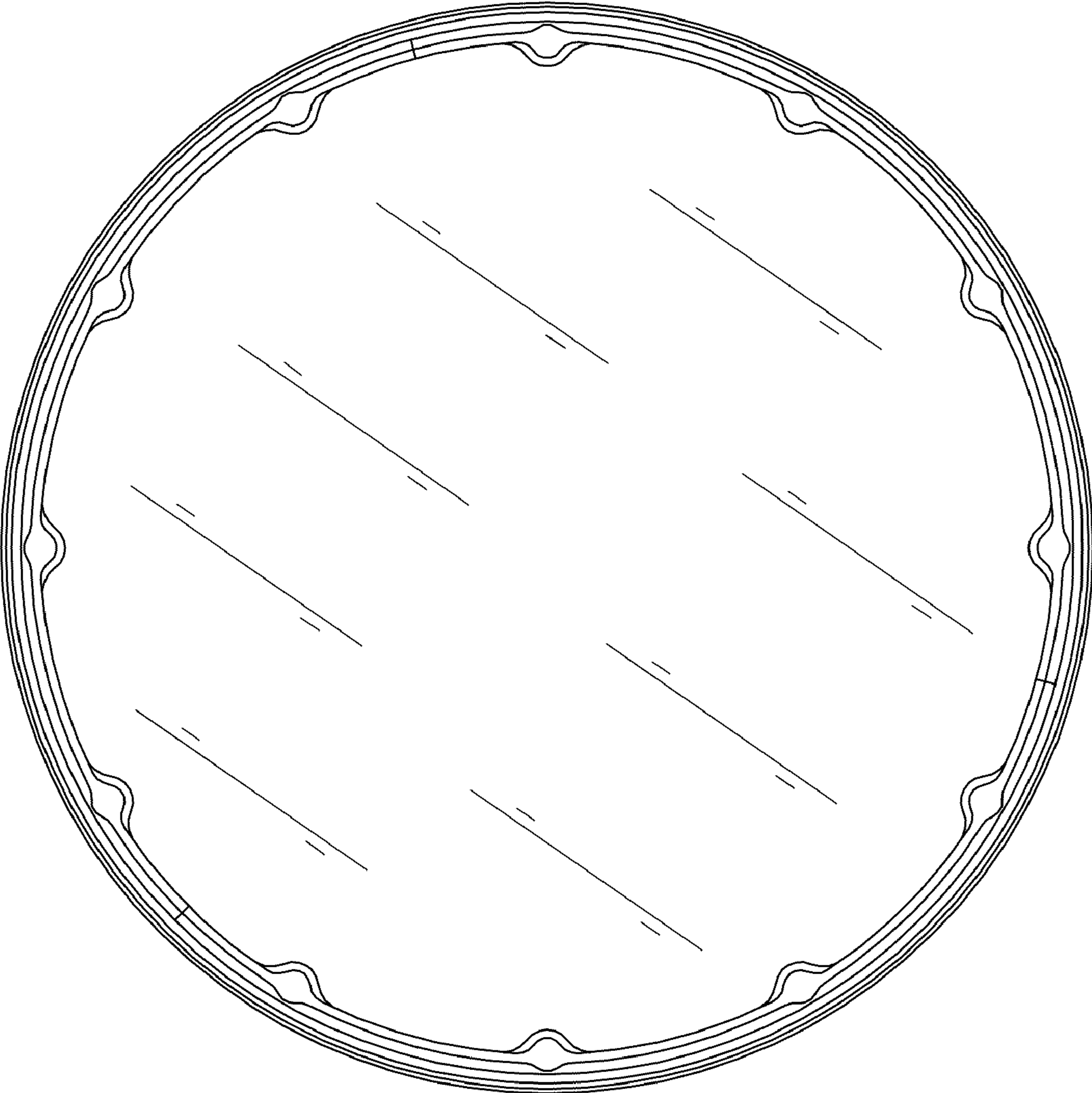


FIG. 7