



US00D642315S

(12) **United States Design Patent**
Yu Chung Han

(10) **Patent No.:** **US D642,315 S**
(45) **Date of Patent:** **** Jul. 26, 2011**

(54) **LED READING LIGHT**

(75) Inventor: **Michael Yu Chung Han**, City of Industry, CA (US)

(73) Assignee: **Michael Yu Chung Han**, City of Industry, CA (US)

(**) Term: **14 Years**

(21) Appl. No.: **29/370,424**

(22) Filed: **Jul. 15, 2010**

(51) **LOC (9) Cl.** **26-05**

(52) **U.S. Cl.** **D26/65**

(58) **Field of Classification Search** D26/60-66,
D26/106-108, 109, 93; 362/98, 99, 800,
362/419, 319, 322, 311.01, 413, 414, 418,
362/427, 220, 222-225, 269, 270, 274, 275,
362/277, 278, 282, 283, 285, 287, 288
See application file for complete search history.

(56) **References Cited**

U.S. PATENT DOCUMENTS

D327,334 S * 6/1992 Parker D26/65
D351,678 S * 10/1994 Chen D26/65

D497,216 S * 10/2004 Lee D26/60
D498,551 S * 11/2004 Chan D26/37
D507,673 S * 7/2005 Martin D26/60
D526,433 S * 8/2006 Li D26/60
D590,532 S * 4/2009 Levine D26/60
D623,336 S * 9/2010 Levine D26/65

* cited by examiner

Primary Examiner — Philip S Hyder

Assistant Examiner — Linda G. Brooks

(57) **CLAIM**

The ornamental design for an LED reading light, as shown and described.

DESCRIPTION

FIG. 1 is a side view of the LED reading light illustrated in extended position of use.

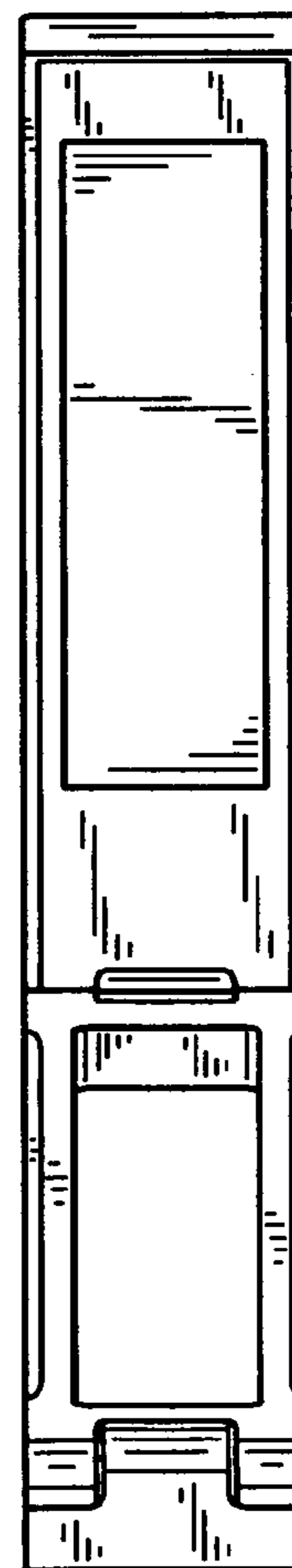
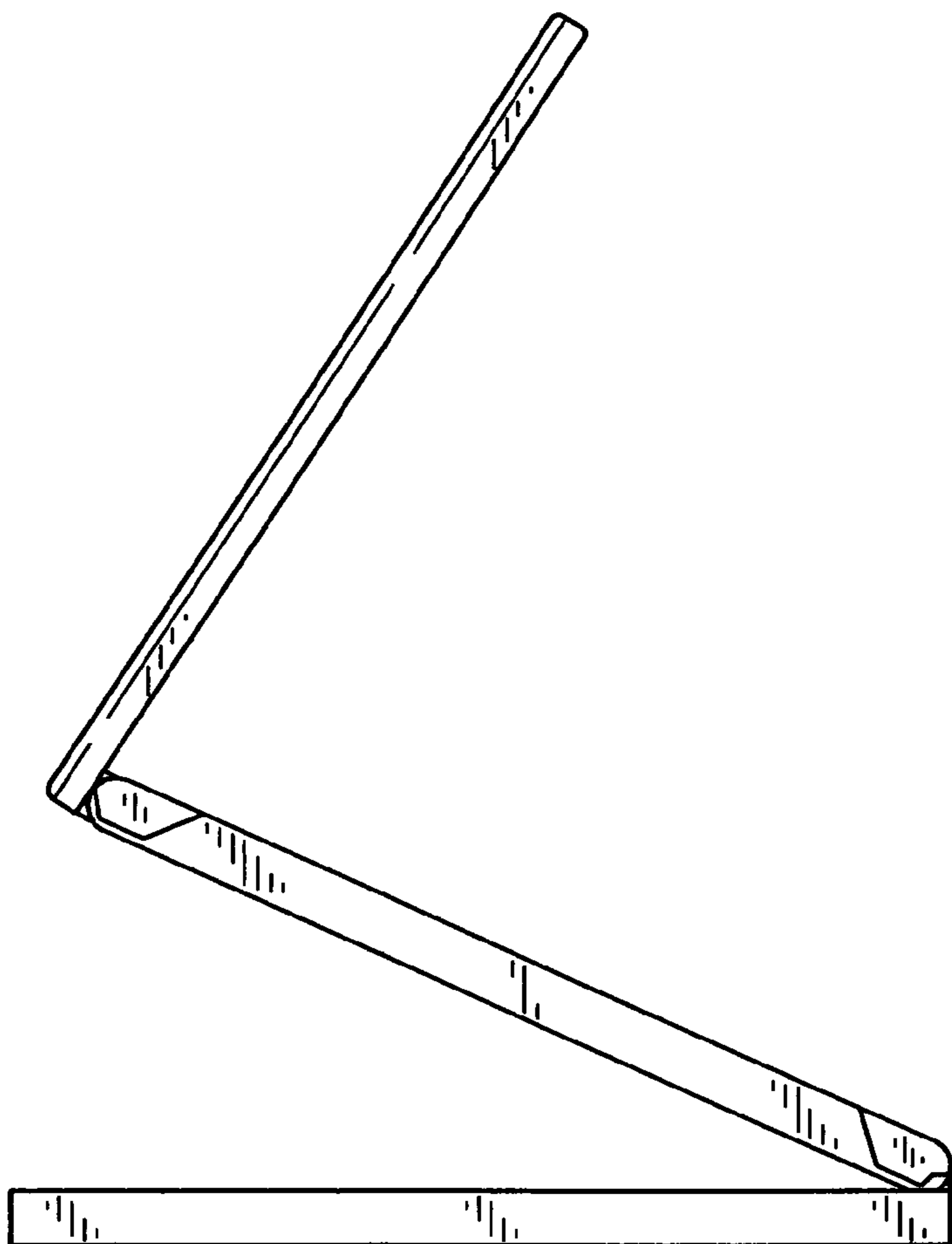
FIG. 2 is a bottom view thereof.

FIG. 3 is a top view thereof.

FIG. 4 is a rear view thereof; and,

FIG. 5 is a front view thereof.

1 Claim, 2 Drawing Sheets



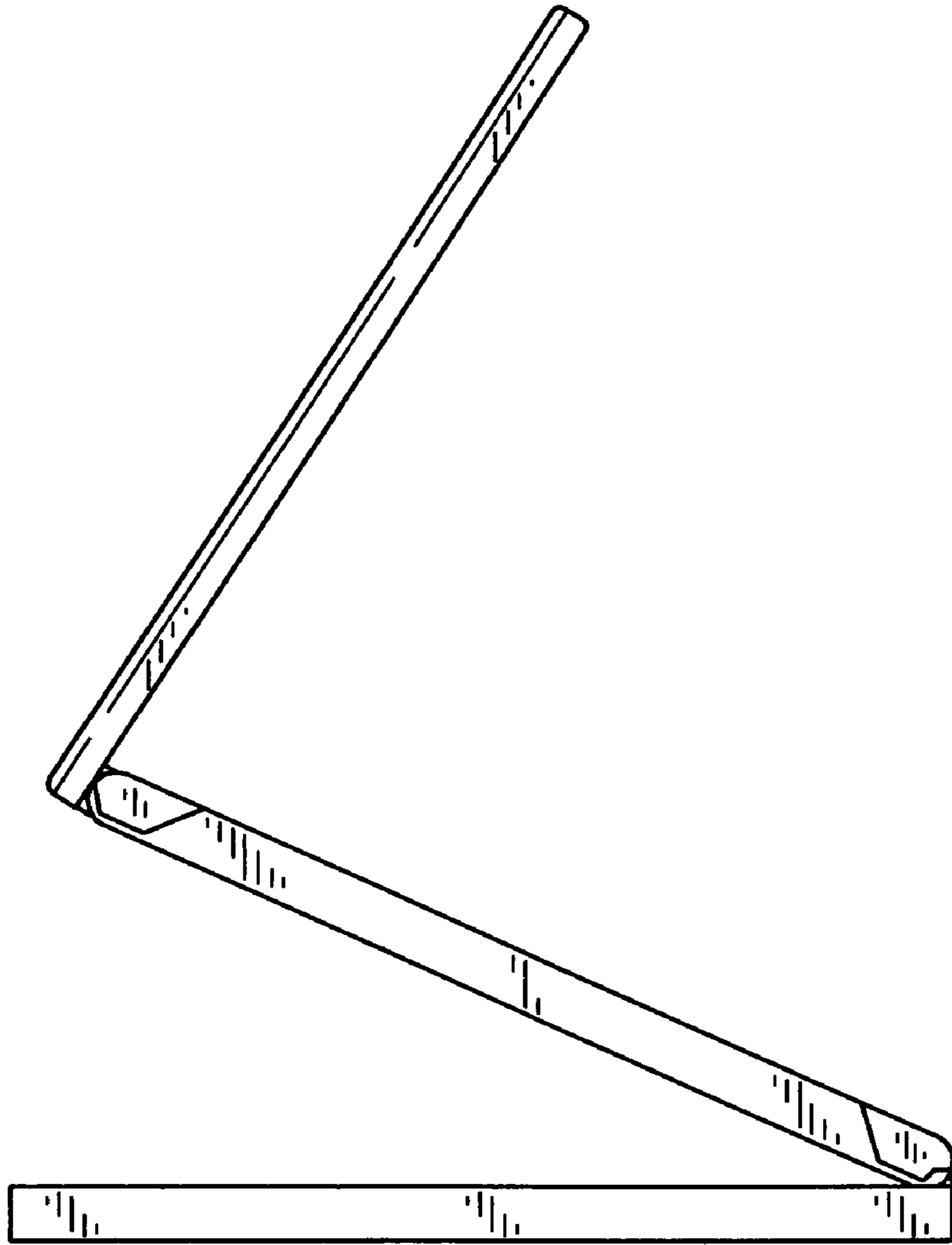


FIG. 1



FIG. 2

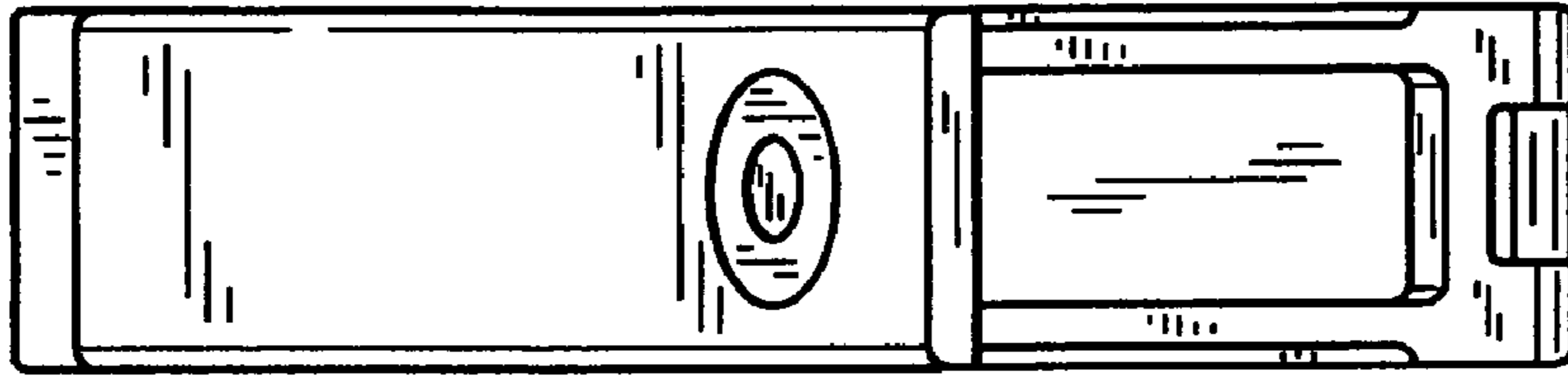


FIG. 3

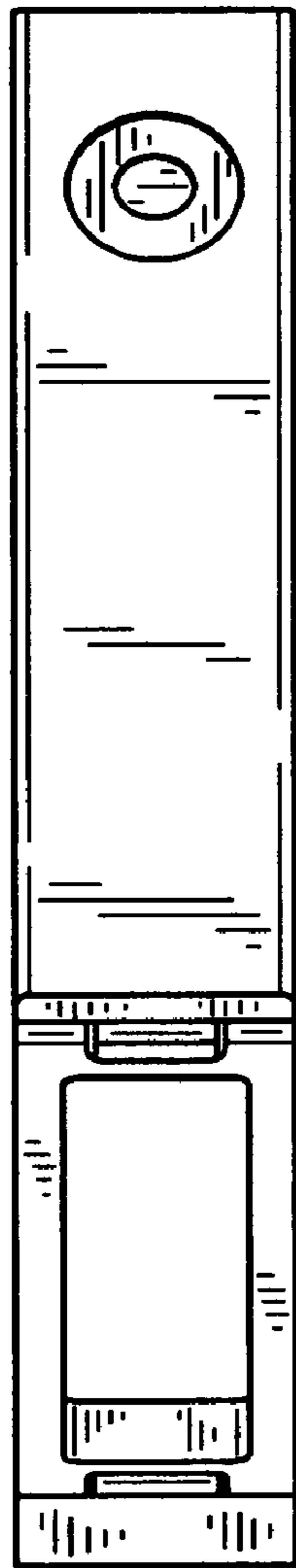


FIG. 4

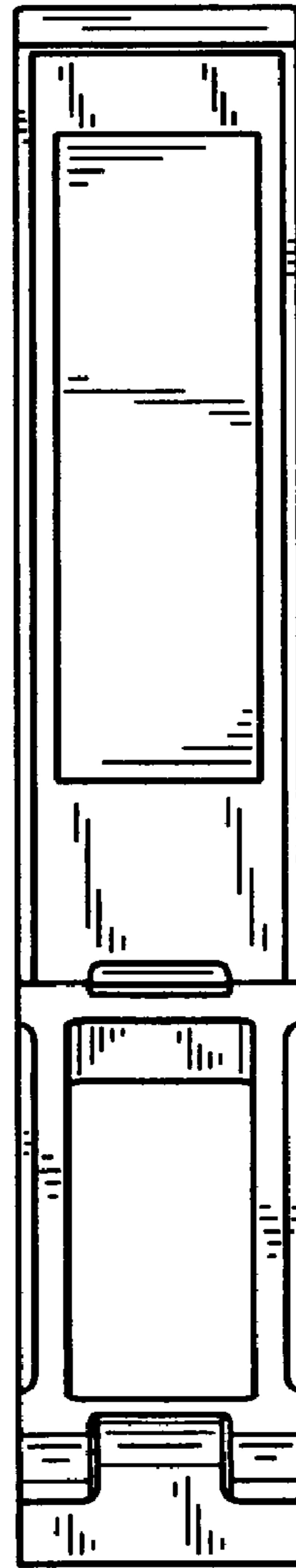


FIG. 5