



US00D642311S

(12) **United States Design Patent**  
**Ma**

(10) **Patent No.:** **US D642,311 S**  
(45) **Date of Patent:** **\*\* Jul. 26, 2011**

(54) **LIGHTING DEVICE**

(75) Inventor: **Lai King Ma**, Fanling (HK)

(73) Assignee: **Eveready Battery Company, Inc.**, st.  
Louis, MO (US)

(\*\*) Term: **14 Years**

(21) Appl. No.: **29/350,354**

(22) Filed: **Nov. 16, 2009**

**Related U.S. Application Data**

(63) Continuation of application No. 29/332,414, filed on  
Feb. 16, 2009, now Pat. No. Des. 607,132.

(51) **LOC (9) Cl.** ..... **26-05**

(52) **U.S. Cl.** ..... **D26/60; D26/41**

(58) **Field of Classification Search** ..... D26/28,  
D26/37, 41, 60; 362/191, 196, 200, 396,  
362/473-476

See application file for complete search history.

(56) **References Cited**

**U.S. PATENT DOCUMENTS**

3,112,889 A 12/1963 Marmo et al.  
D346,230 S 4/1994 Ueda  
6,299,323 B1 10/2001 Yu et al.

D472,700 S 4/2003 MacDonald  
D495,073 S 8/2004 Kumthampinij et al.  
7,070,295 B1 7/2006 Lee  
D535,766 S 1/2007 Lee  
D543,297 S 5/2007 Osiecki et al.  
D569,023 S 5/2008 Lee  
7,438,431 B2 10/2008 Ford et al.  
2004/0114359 A1 6/2004 Parsons et al.  
2005/0018421 A1 1/2005 Parsons  
2005/0111218 A1 5/2005 Lee

*Primary Examiner* — Clare E Heflin

(74) *Attorney, Agent, or Firm* — Michael C. Pophal

(57) **CLAIM**

I claim the ornamental design for a lighting device, as shown  
and described.

**DESCRIPTION**

FIG. 1 is a perspective view of the lighting device.

FIG. 2 is a second perspective view of the lighting device.

FIG. 3 is a right side view of the lighting device.

FIG. 4 is a left side view of the lighting device.

FIG. 5 is a top view of the lighting device.

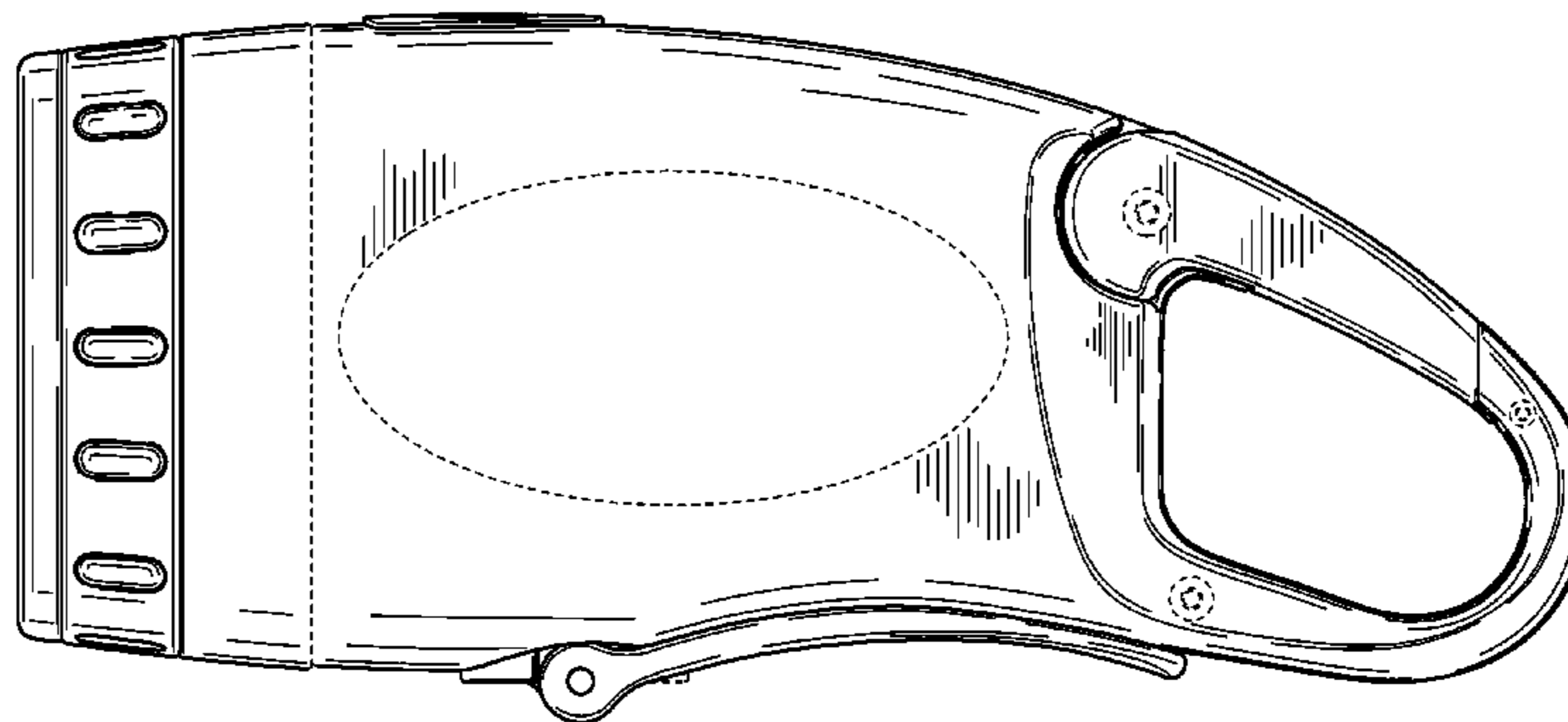
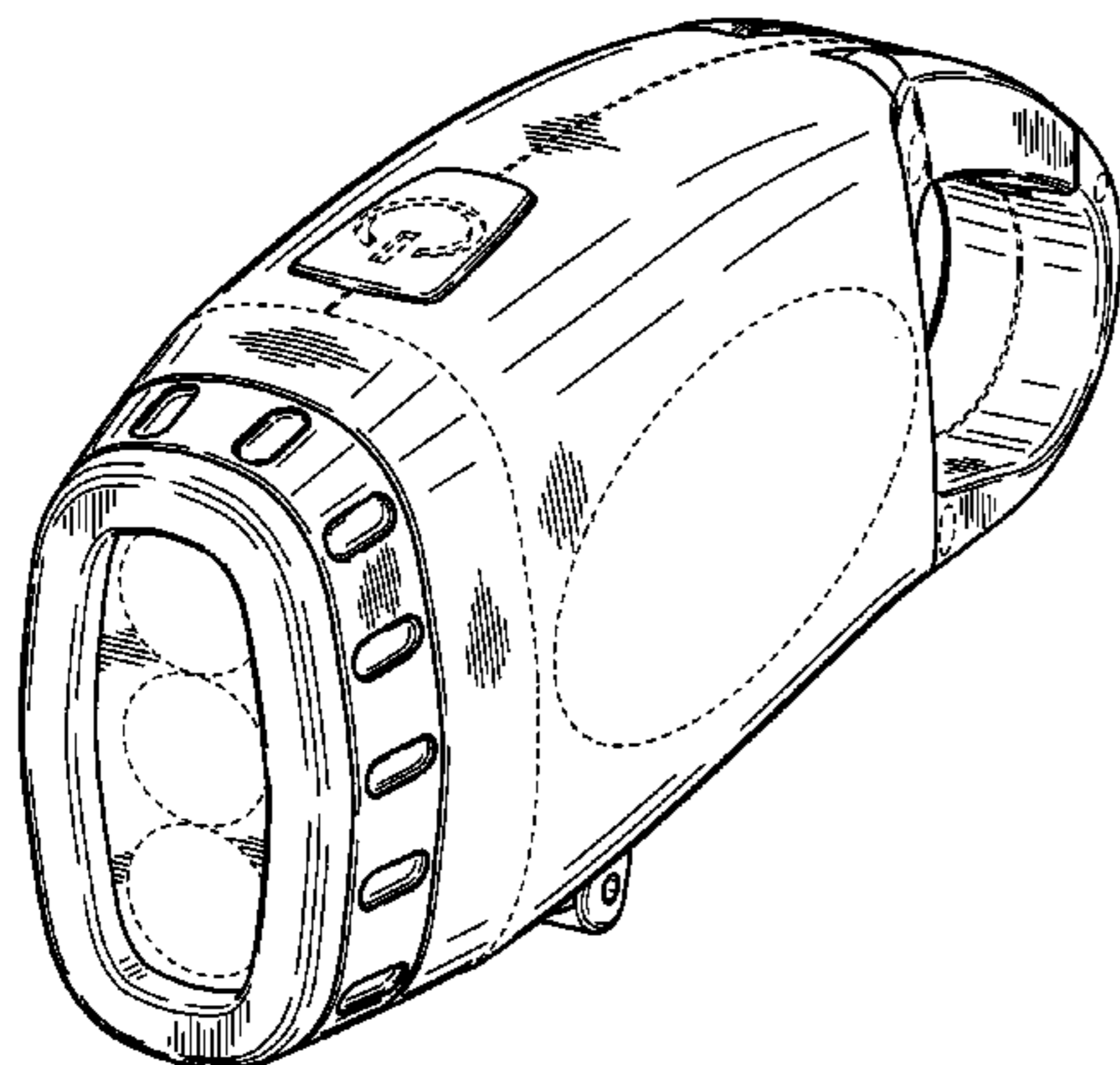
FIG. 6 is a bottom view of the lighting device.

FIG. 7 is a front view of the lighting device; and,

FIG. 8 is a rear view of the lighting device.

Any broken line(s) shown are for illustrative purposes only  
and form no part of the claimed design.

**1 Claim, 5 Drawing Sheets**



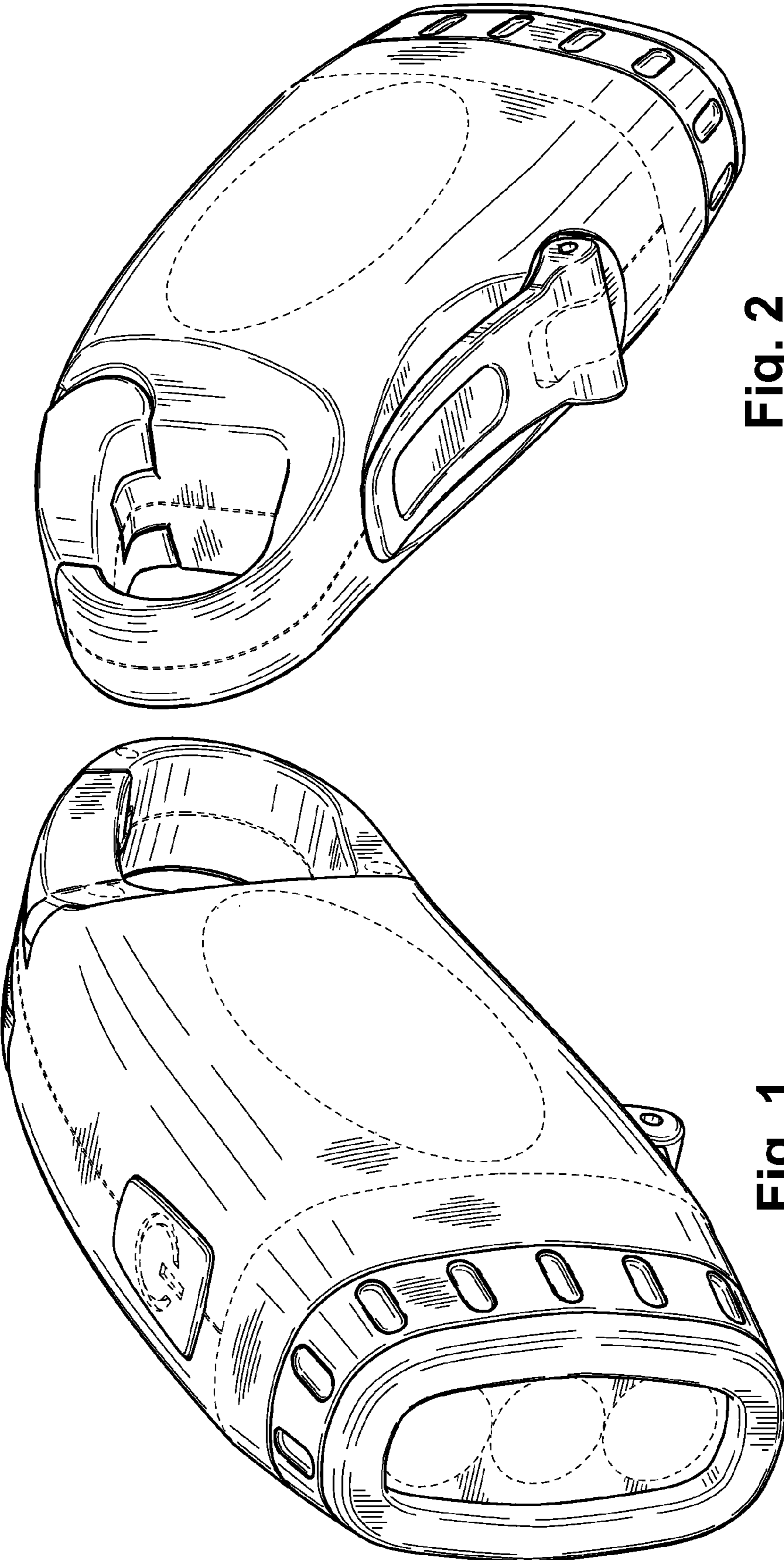


Fig. 2

Fig. 1

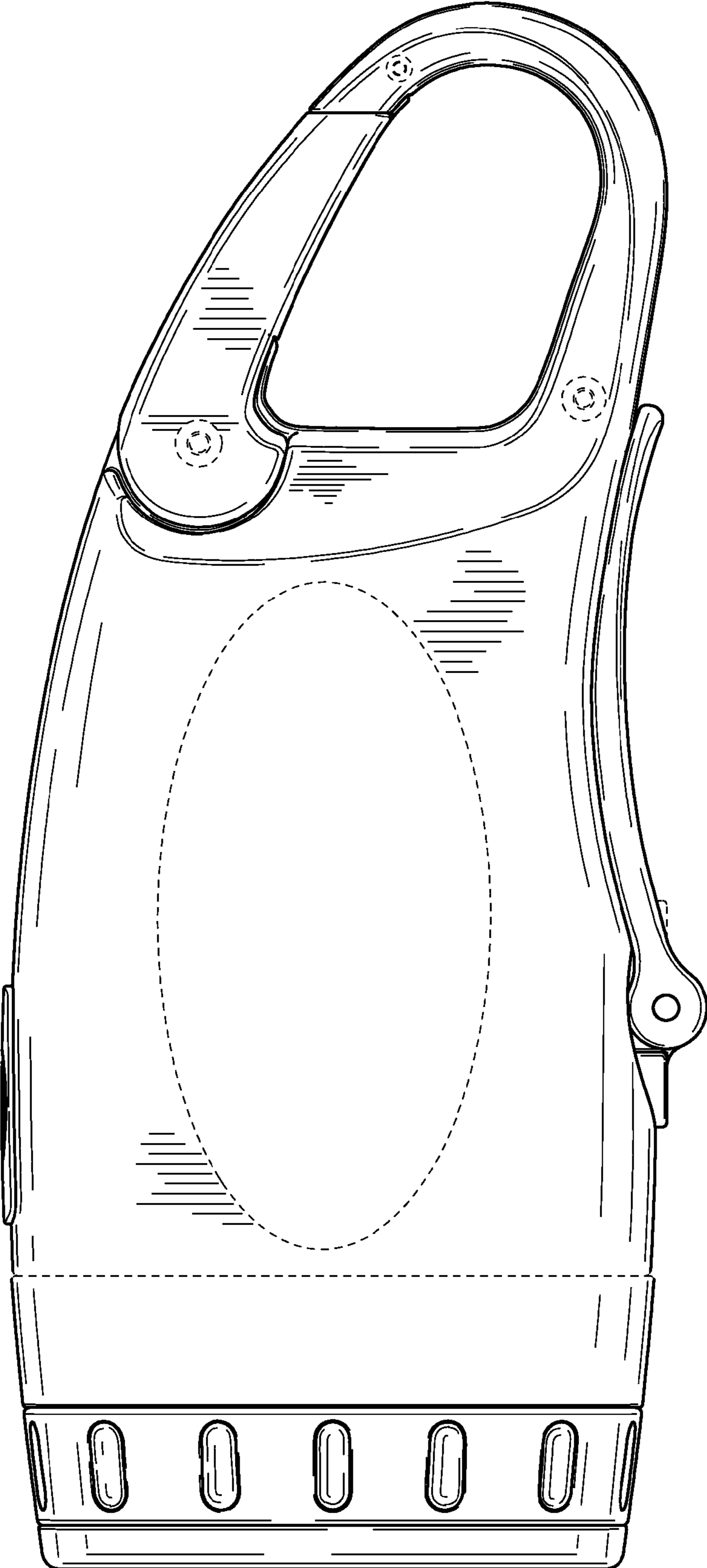


Fig. 3

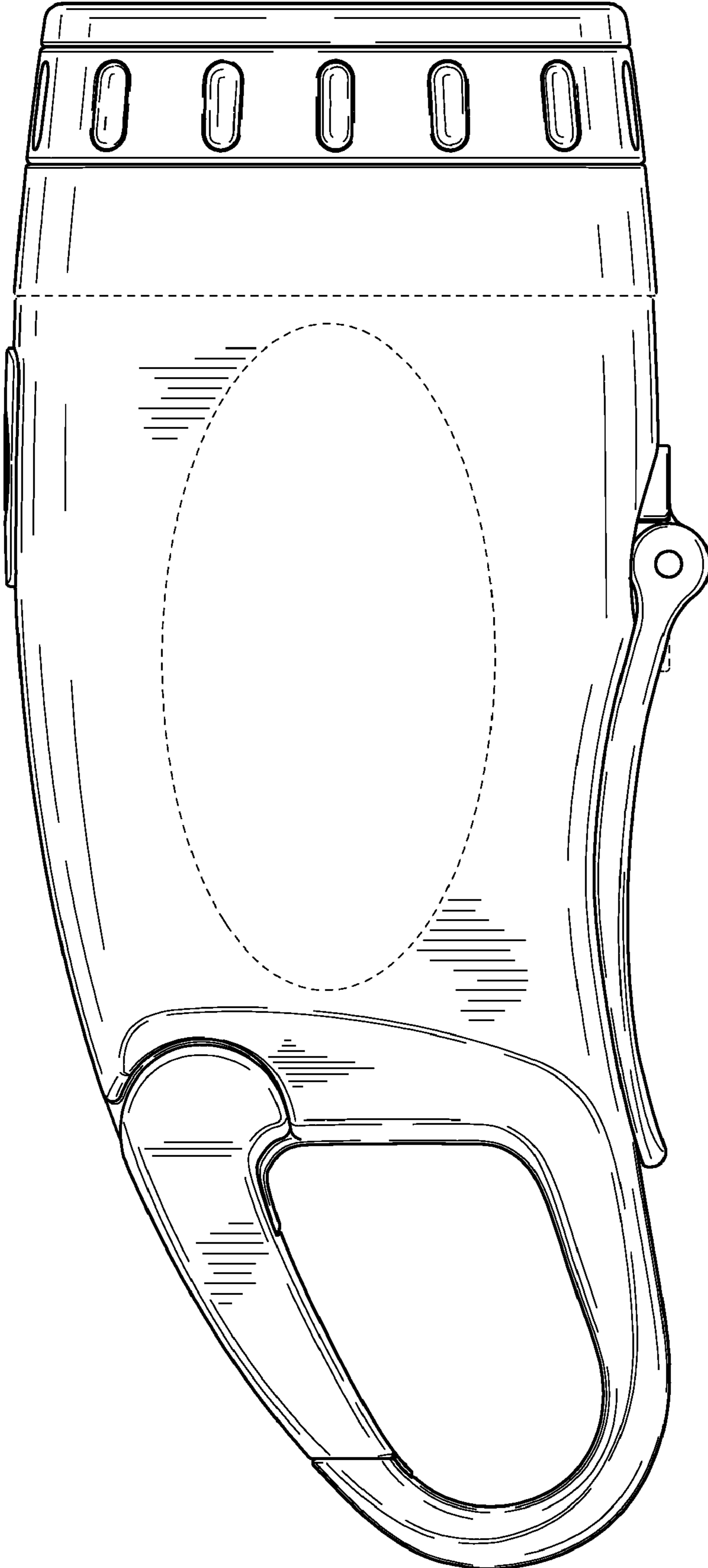


Fig. 4

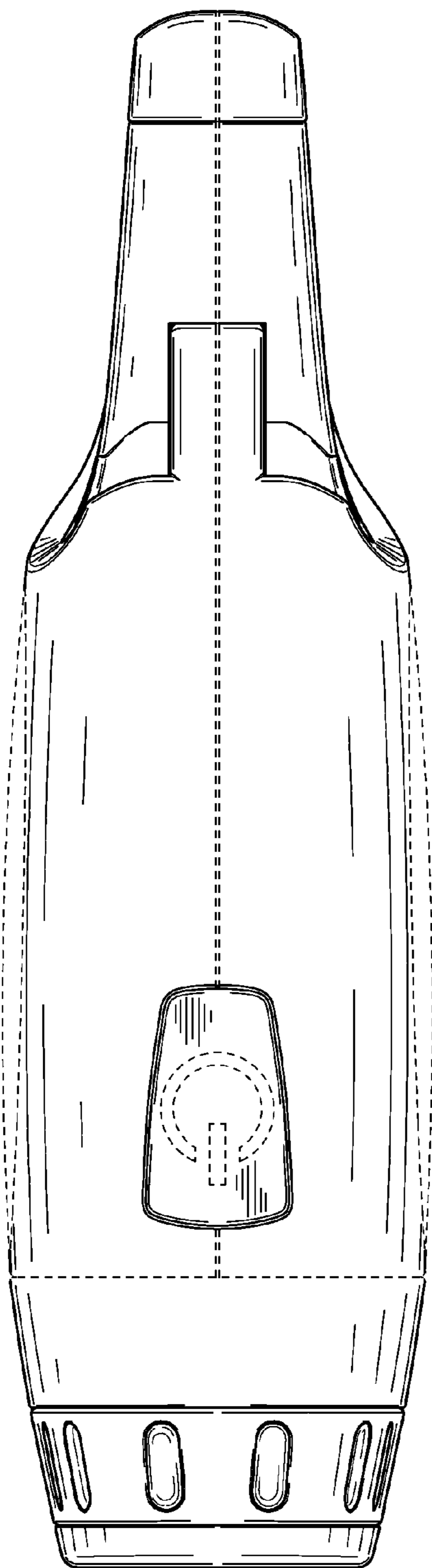


Fig. 5

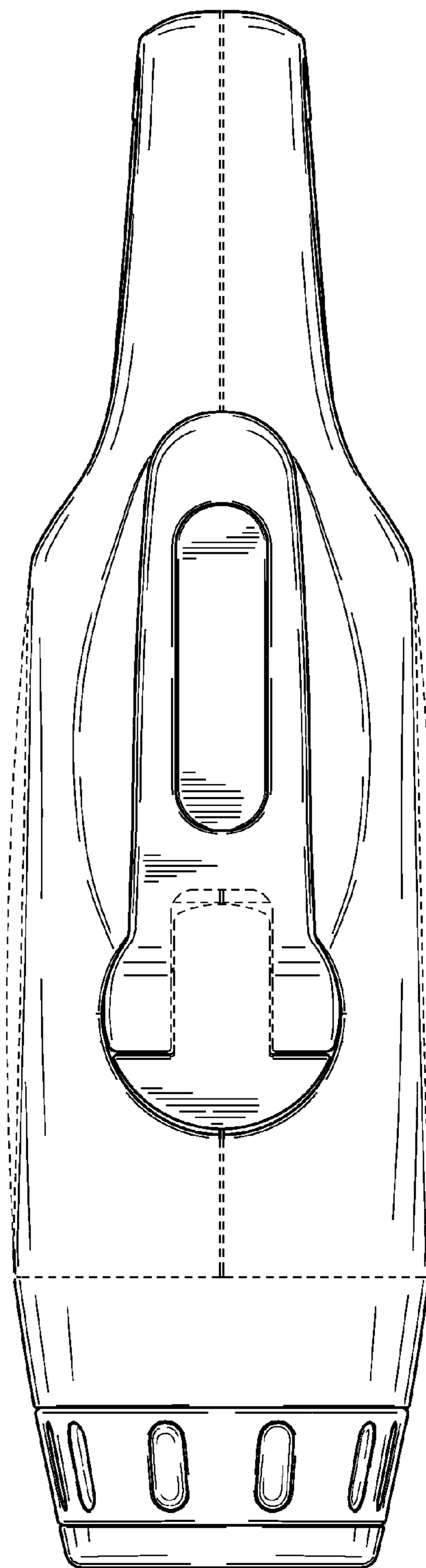


Fig. 6

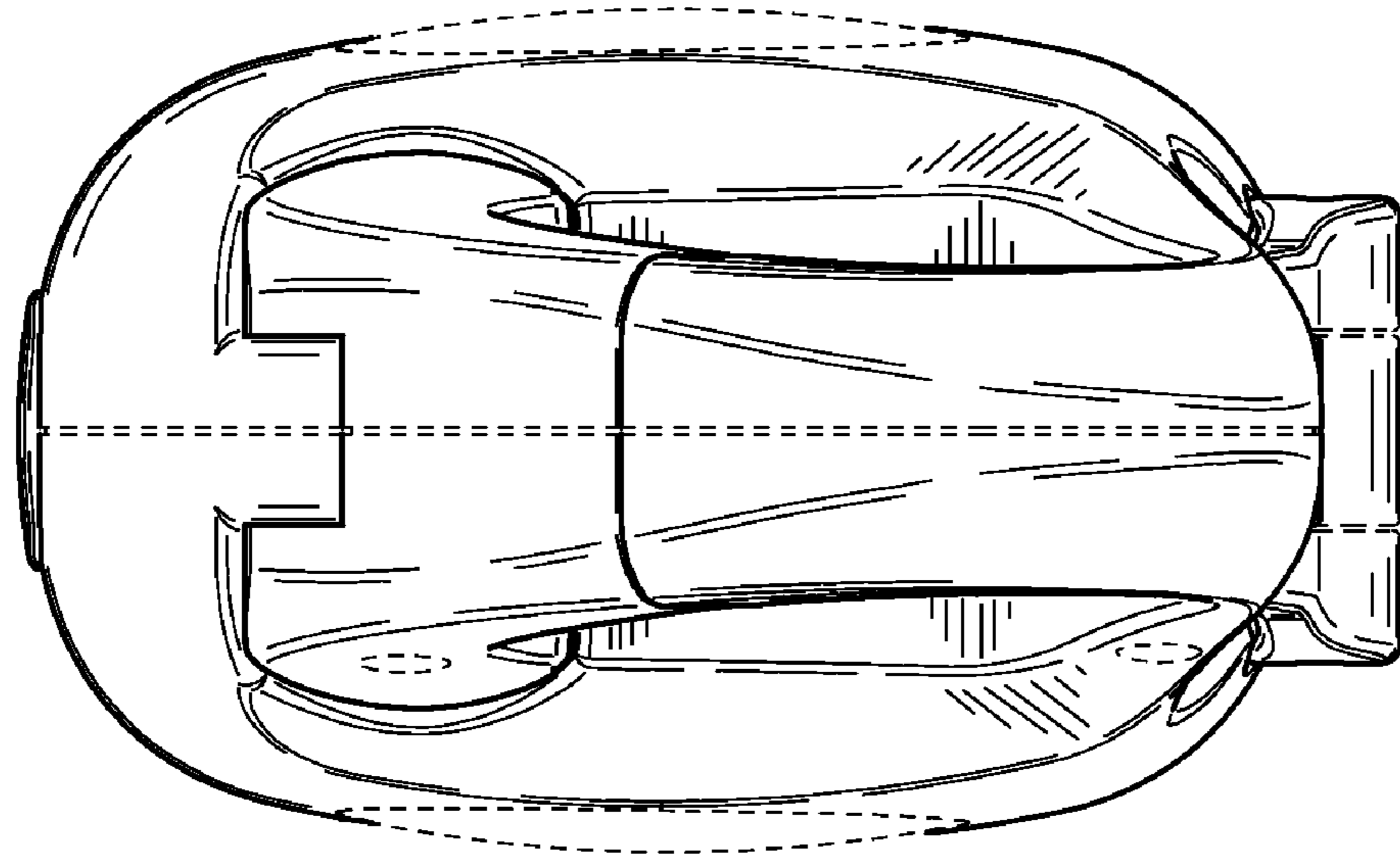


Fig. 8

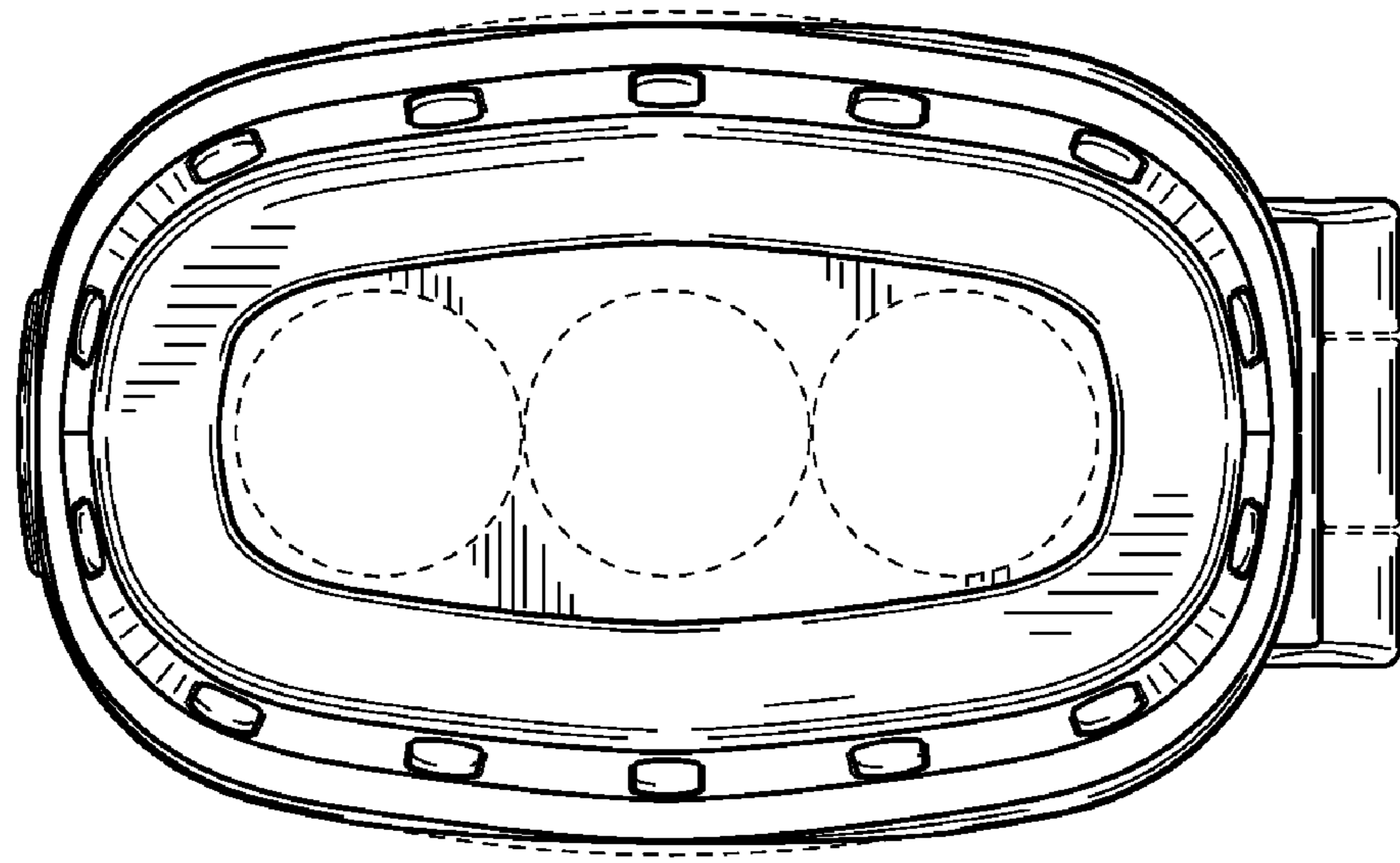


Fig. 7