



US00D642309S

(12) **United States Design Patent**  
**Huang**

(10) **Patent No.:** **US D642,309 S**  
(45) **Date of Patent:** **\*\* Jul. 26, 2011**

(54) **VEHICLE LAMP**

(75) Inventor: **Cheng-Nan Huang**, Tainan (TW)

(73) Assignee: **Sirius Light Technology Co., Ltd.** (TW)

(\*\*) Term: **14 Years**

(21) Appl. No.: **29/385,312**

(22) Filed: **Feb. 11, 2011**

(30) **Foreign Application Priority Data**

Jan. 11, 2011 (TW) ..... 100300161

(51) **LOC (9) Cl.** ..... **26-06**

(52) **U.S. Cl.** ..... **D26/28**

(58) **Field of Classification Search** ..... D26/28-36;  
362/459-468, 475-478, 485-487  
See application file for complete search history.

(56) **References Cited**

**U.S. PATENT DOCUMENTS**

D592,330 S \* 5/2009 Huang ..... D26/28  
D595,001 S \* 6/2009 Gorczyca et al. .... D26/28

D601,727 S \* 10/2009 Huang ..... D26/28  
D605,789 S \* 12/2009 Ko ..... D26/28  
D616,124 S \* 5/2010 Wu ..... D26/28  
D626,670 S \* 11/2010 Metzger et al. .... D26/28

\* cited by examiner

*Primary Examiner* — Marcus Jackson

(74) *Attorney, Agent, or Firm* — Caesar, Rivise, Bernstein,  
Cohen & Pokotilow, Ltd.

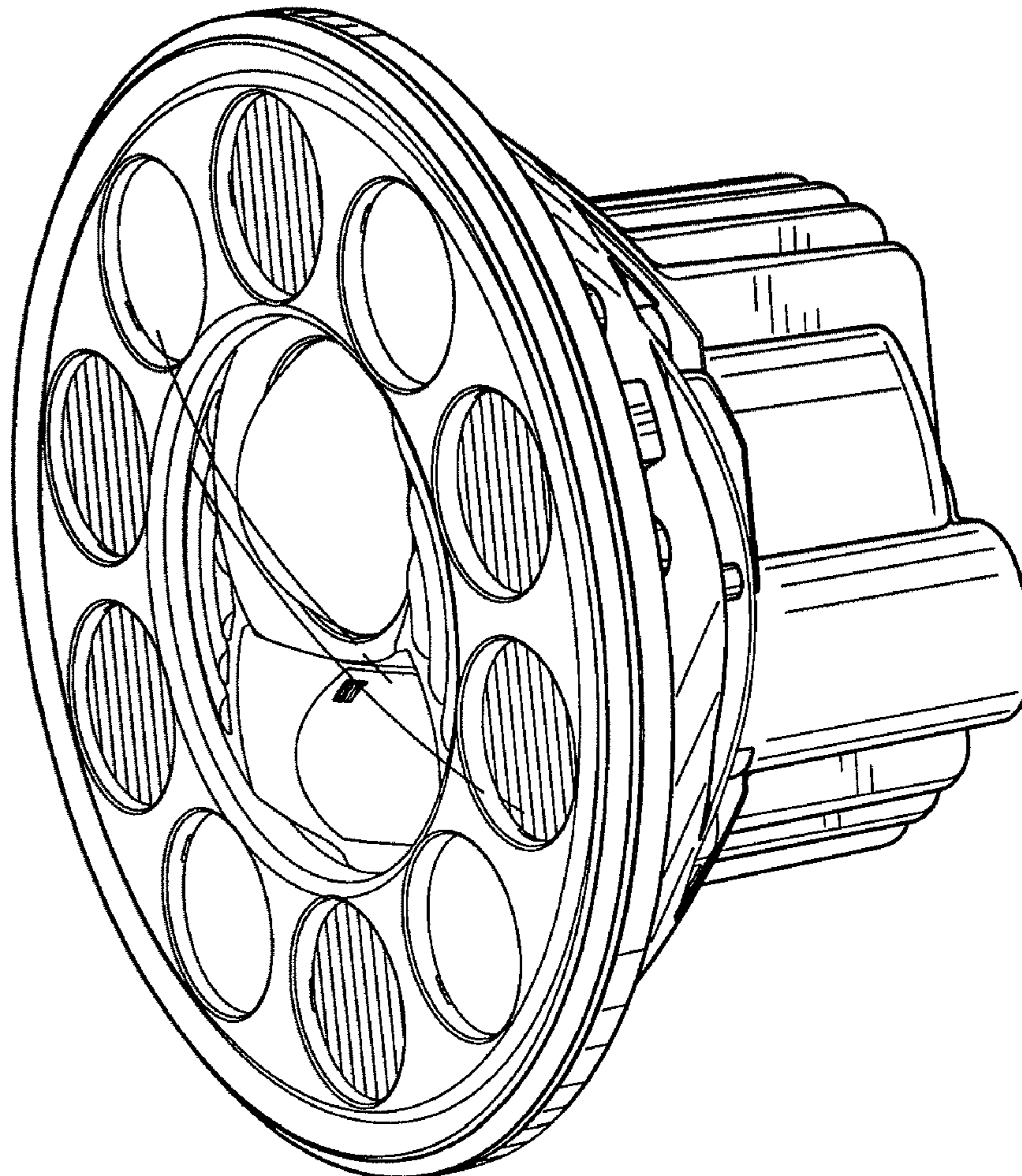
(57) **CLAIM**

The ornamental design for vehicle lamp, as shown and described.

**DESCRIPTION**

FIG. 1 is an isometric view of vehicle lamp showing my new design;  
FIG. 2 is a front elevational view thereof;  
FIG. 3 is a rear elevational view thereof;  
FIG. 4 is a left side elevational view thereof;  
FIG. 5 is a right side elevational view thereof;  
FIG. 6 is a top plan view thereof; and,  
FIG. 7 is a bottom plan view thereof.

**1 Claim, 4 Drawing Sheets**



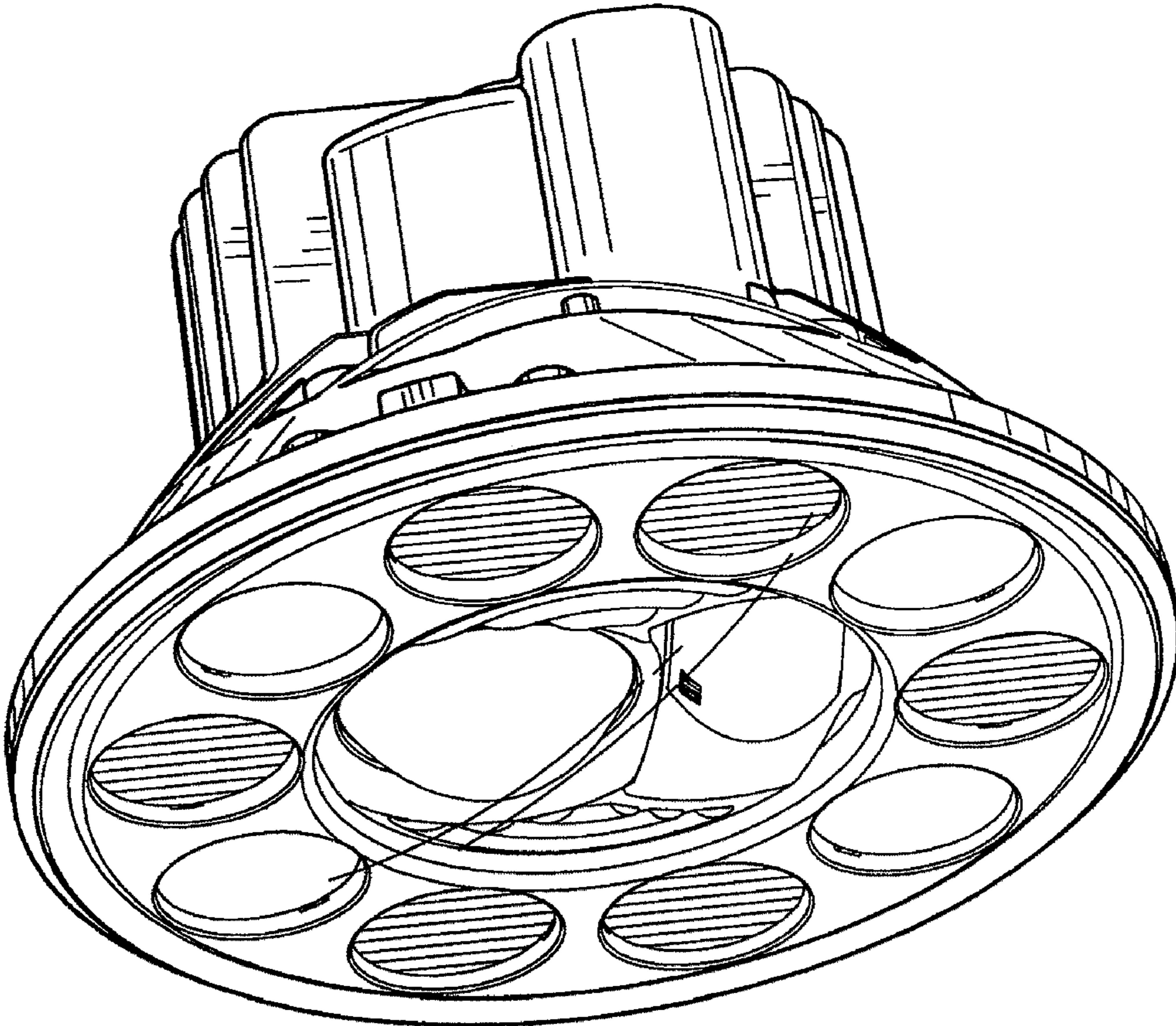


FIG. 1

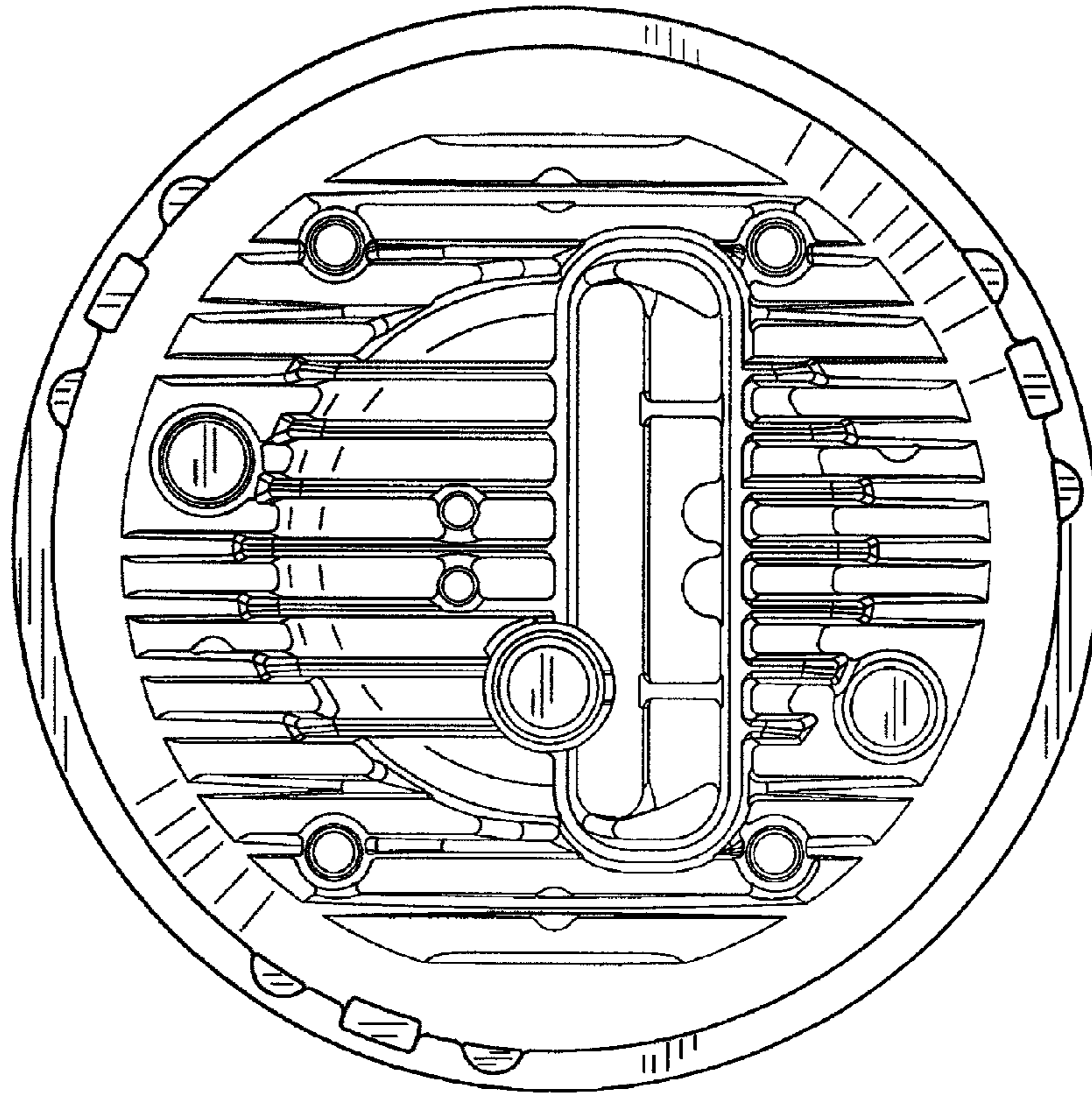


FIG. 3

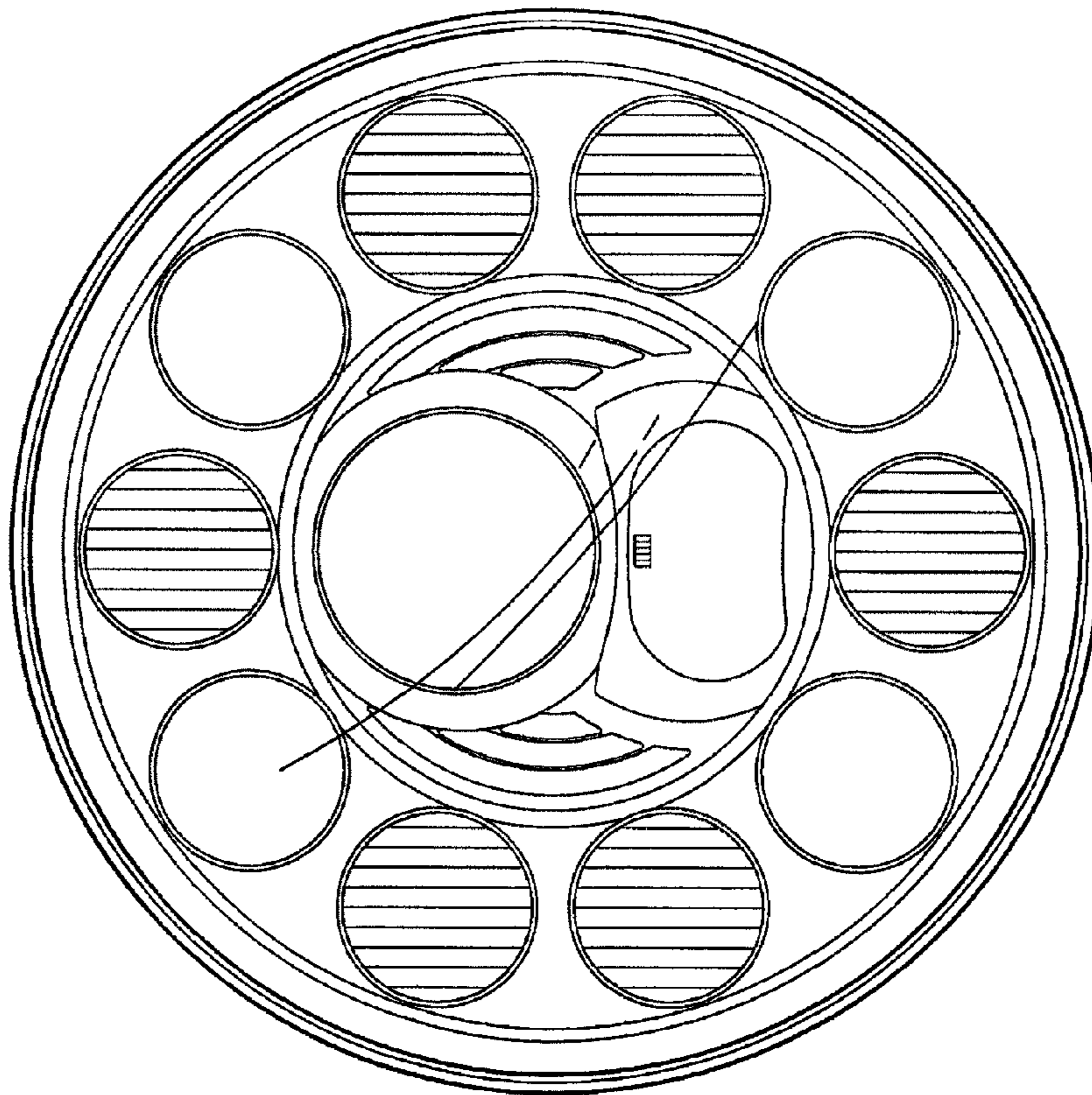


FIG. 2

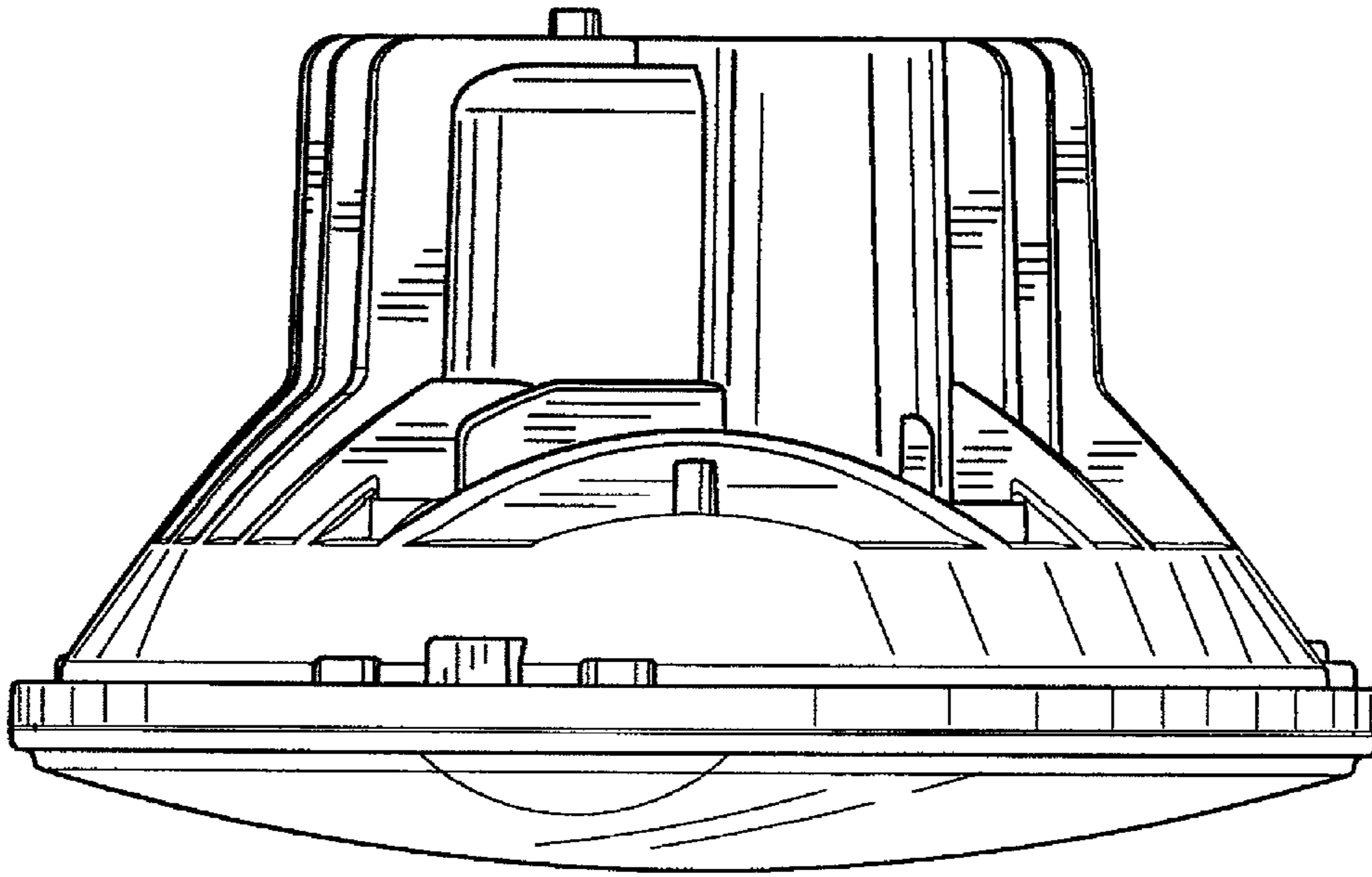


FIG. 5

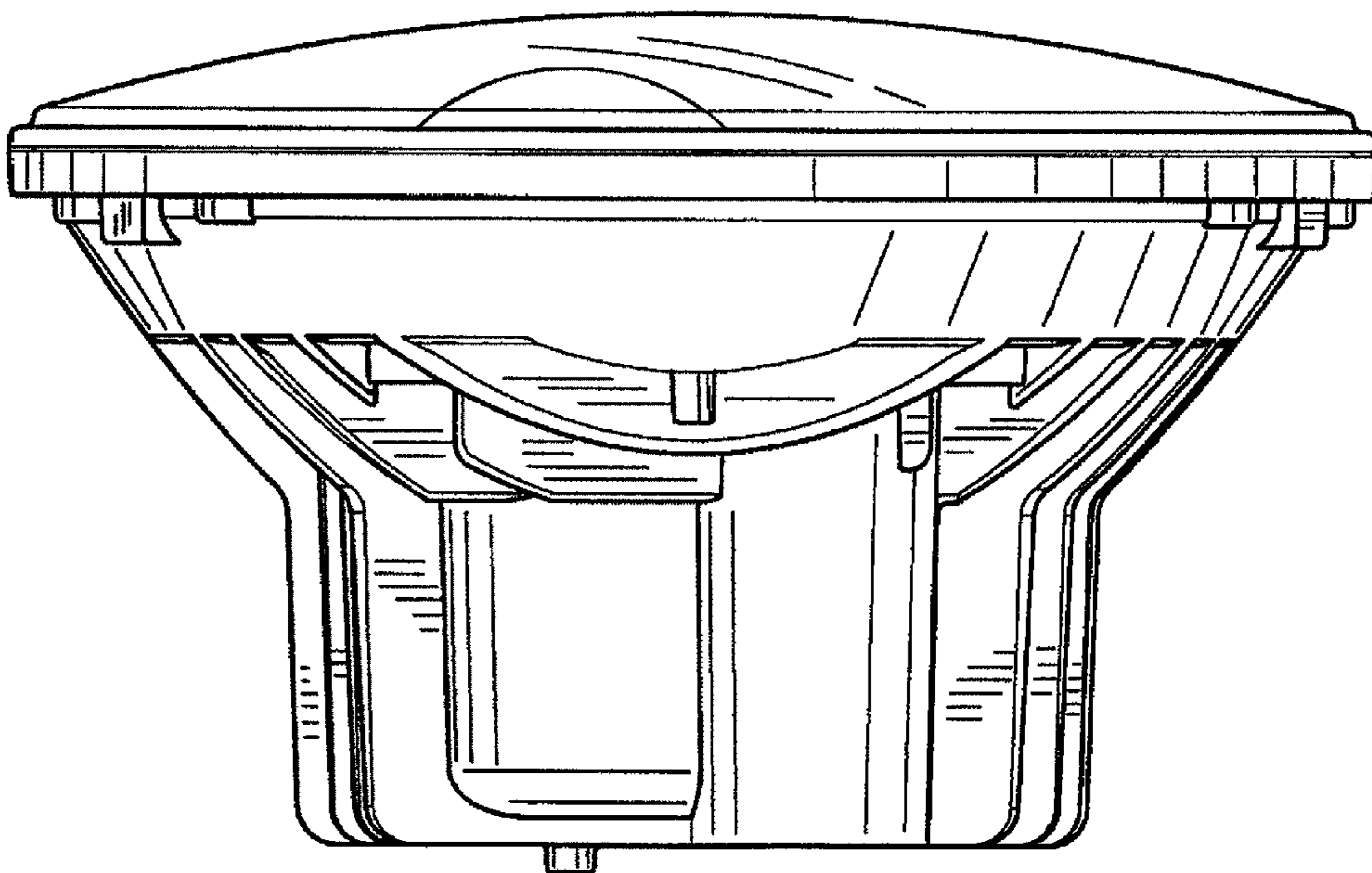


FIG. 4

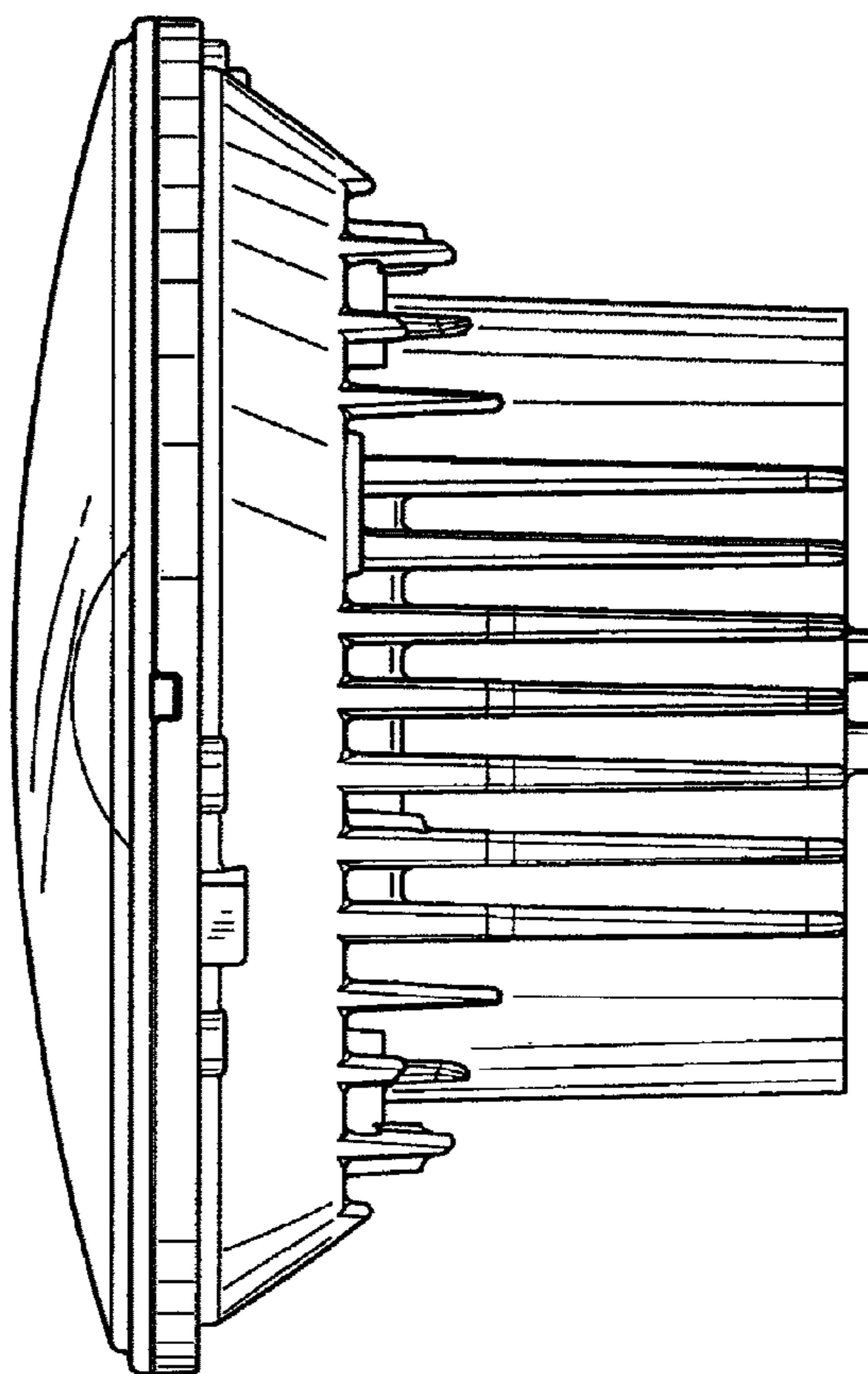


FIG. 7

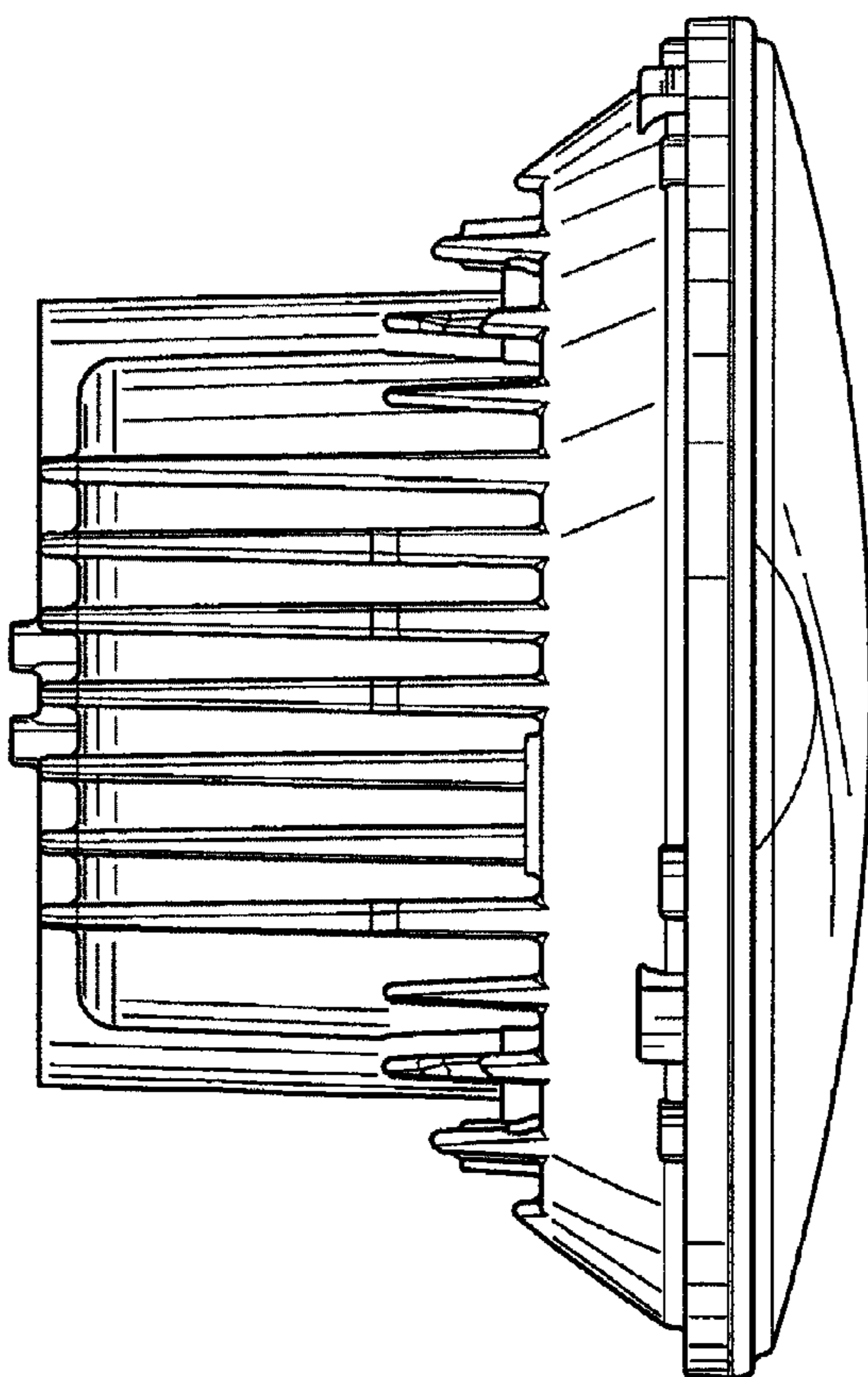


FIG. 6